



US00D408495S

# United States Patent [19]

Adams

[11] Patent Number: **Des. 408,495**

[45] Date of Patent: **\*\*Apr. 20, 1999**

[54] LIQUID SPRAY NOZZLE

[75] Inventor: **Robert J. Adams, St. Charles, Ill.**

[73] Assignee: **Spraying Systems Co., Wheaton, Ill.**

[\*\*] Term: **14 Years**

[21] Appl. No.: **29/087,109**

[22] Filed: **Apr. 27, 1998**

[51] LOC (6) CL ..... **23-01**

[52] U.S. CL ..... **D23/213**

[58] Field of Search ..... **D23/213-215,  
D23/223-230; 239/118, 600, 459-462,  
590.3; D8/1**

[56] **References Cited**

**U.S. PATENT DOCUMENTS**

D. 134,562	12/1942	Murphy	.....	D23/213
D. 198,356	6/1964	Wahlin	.....	D23/213
D. 354,545	1/1995	Haruch	.....	D23/213
D. 380,034	6/1997	Simonette	.....	D23/213

*Primary Examiner*—Alan P. Douglas  
*Assistant Examiner*—Robin V. Taylor  
*Attorney, Agent, or Firm*—Leydig, Voit & Mayer, Ltd.

[57] **CLAIM**

The ornamental design for a liquid spray nozzle, as shown and described.

**DESCRIPTION**

FIG. 1 is a perspective of a liquid spray nozzle embodying the design of the present invention;  
FIG. 2 is a left side elevational view thereof, the right side elevational view thereof being a mirror image;  
FIG. 3 is a top plan view thereof, the bottom plan view being a mirror image hereof;  
FIG. 4 is a front elevational view thereof;  
FIG. 5 is a rear elevational view thereof; and,  
FIG. 6 is a longitudinal section, taken in the plane of lines 6—6 in FIG. 5, for the purpose of facilitating better understanding of the rear elevational view.

**1 Claim, 1 Drawing Sheet**

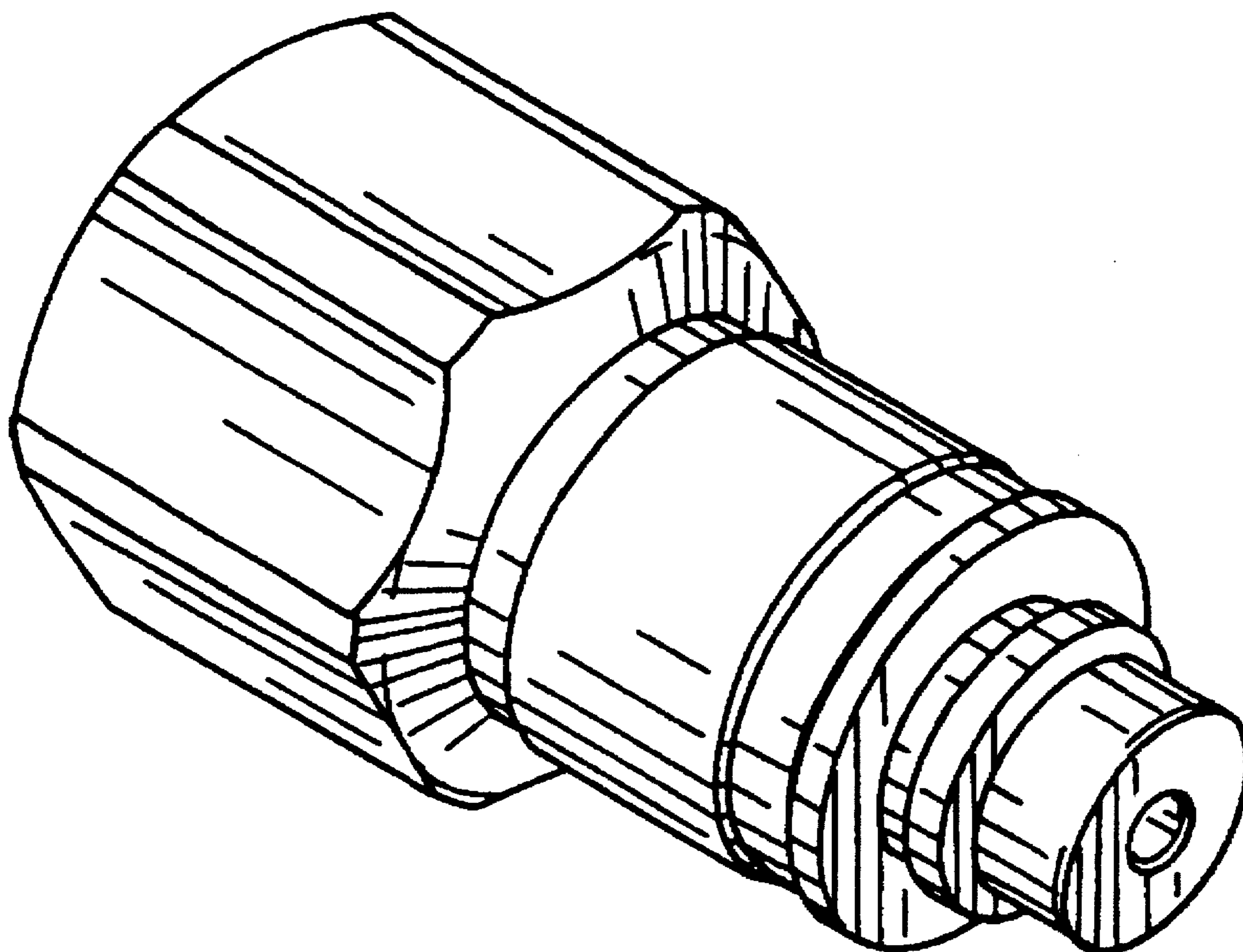


FIG. 1.

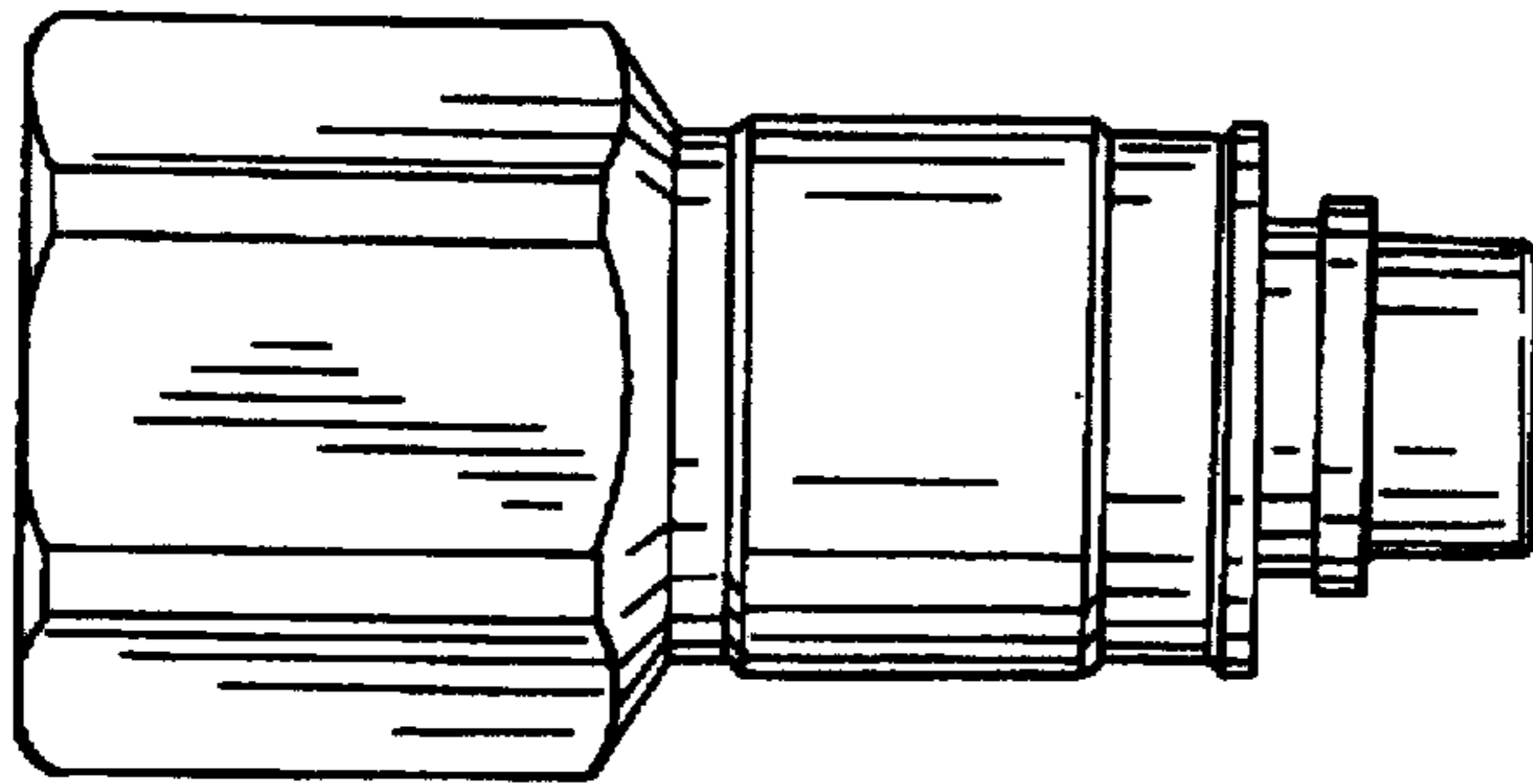
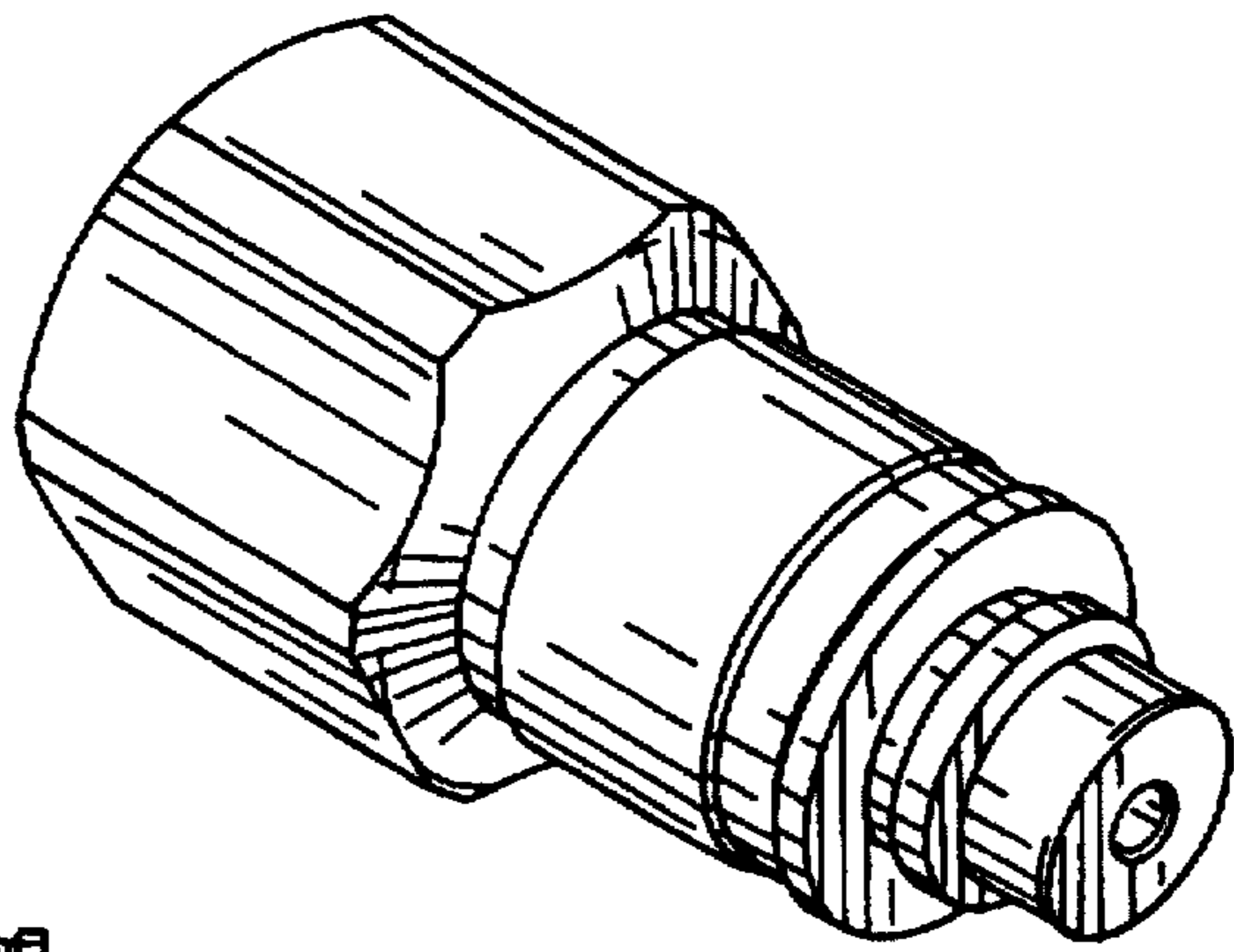


FIG. 2.

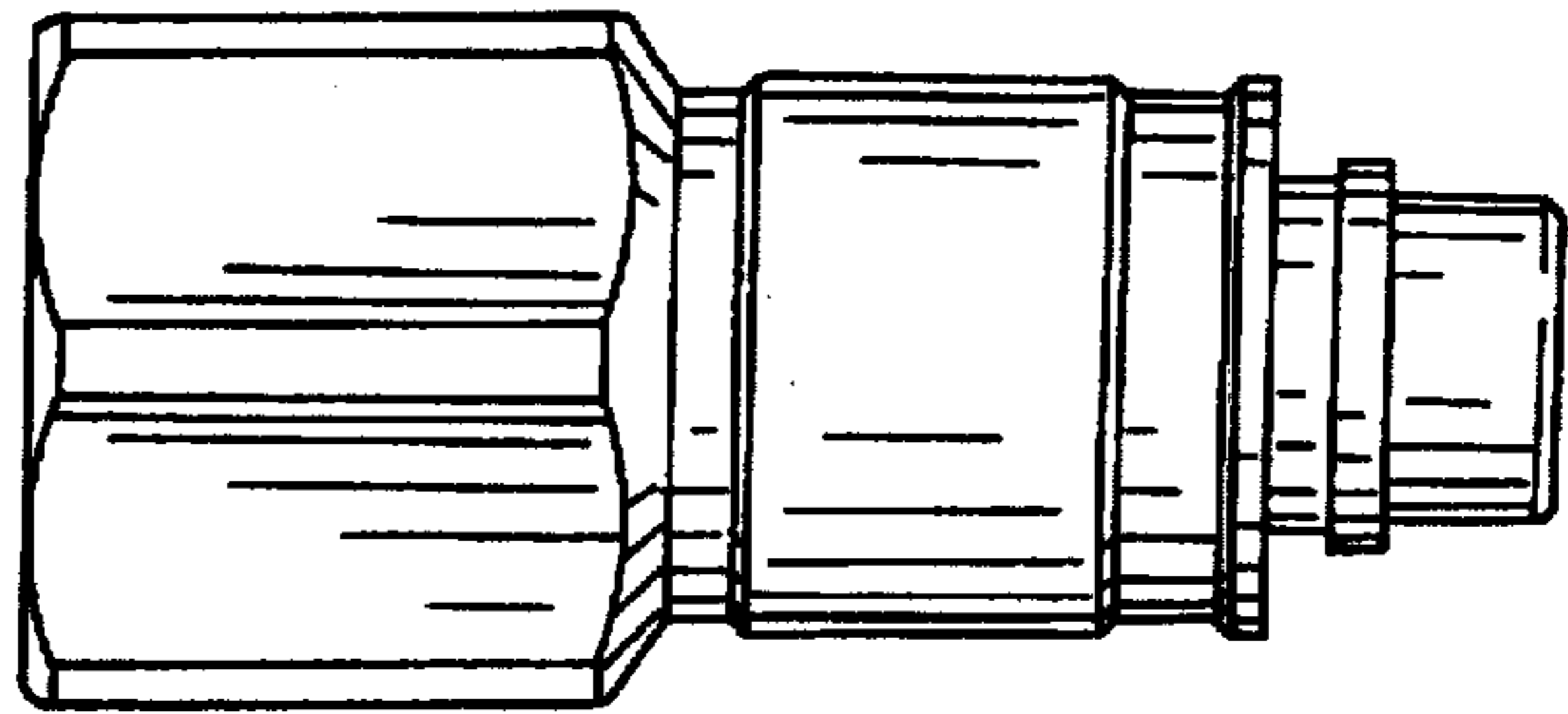


FIG. 3.

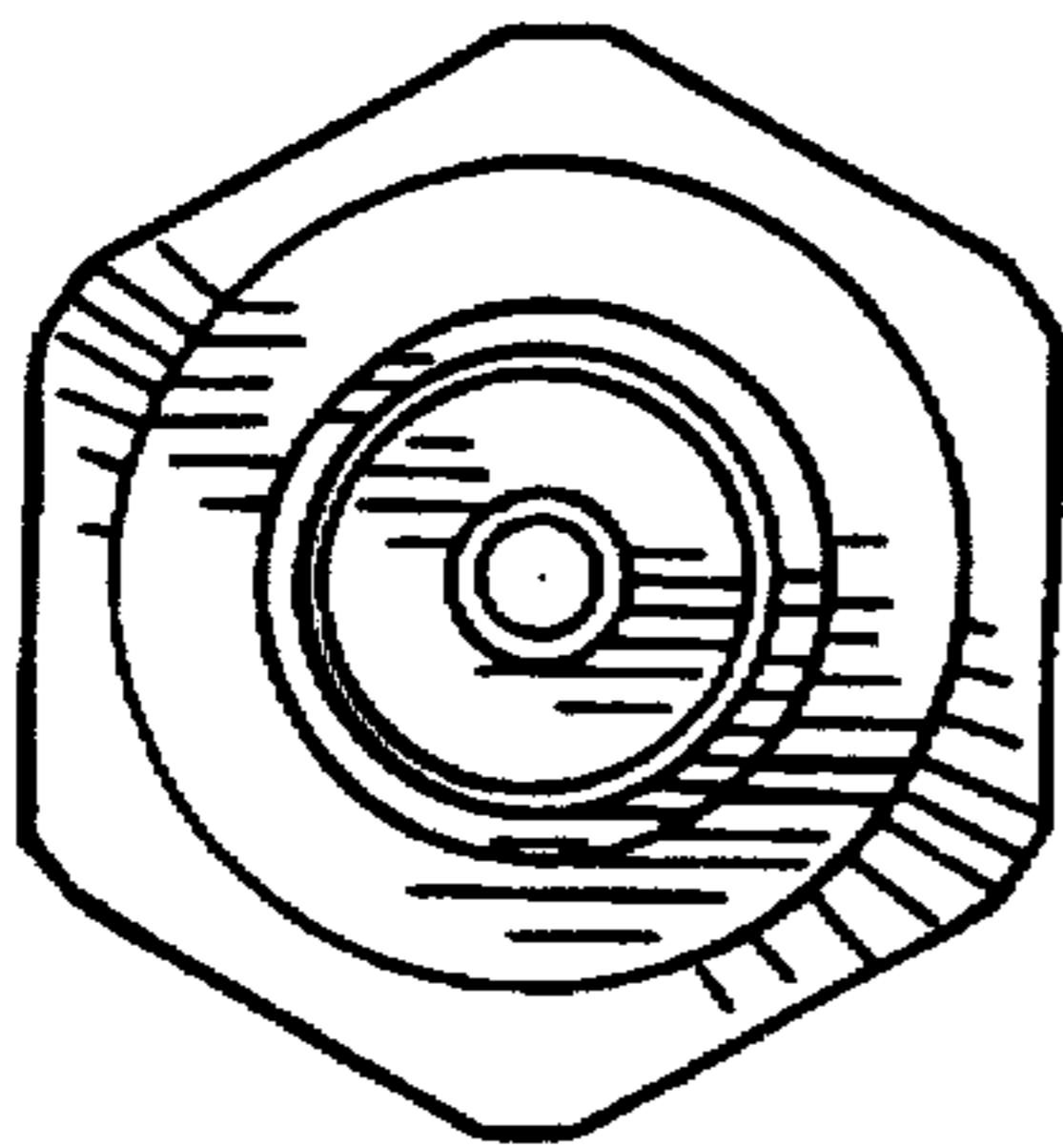


FIG. 4.

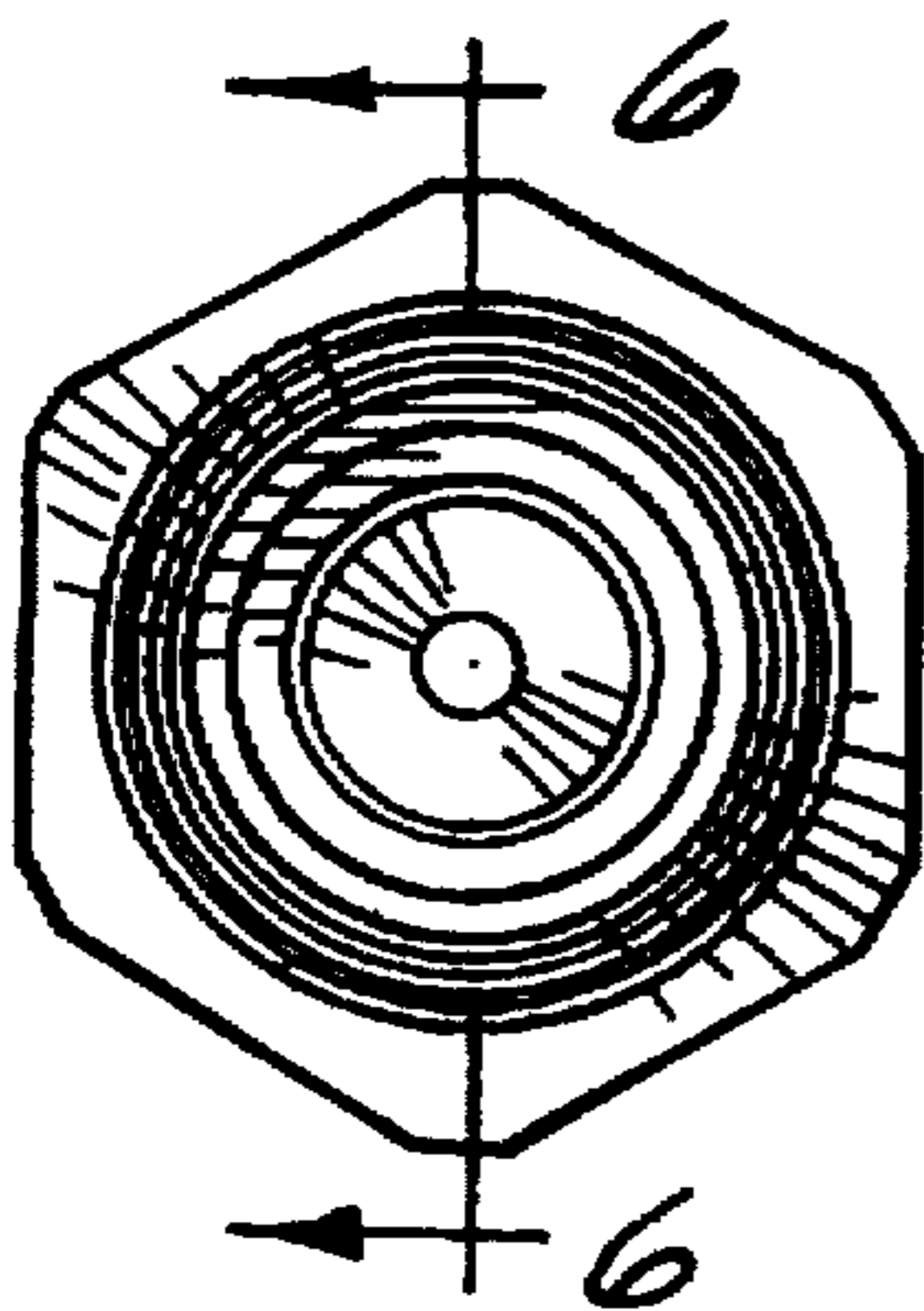


FIG. 5.

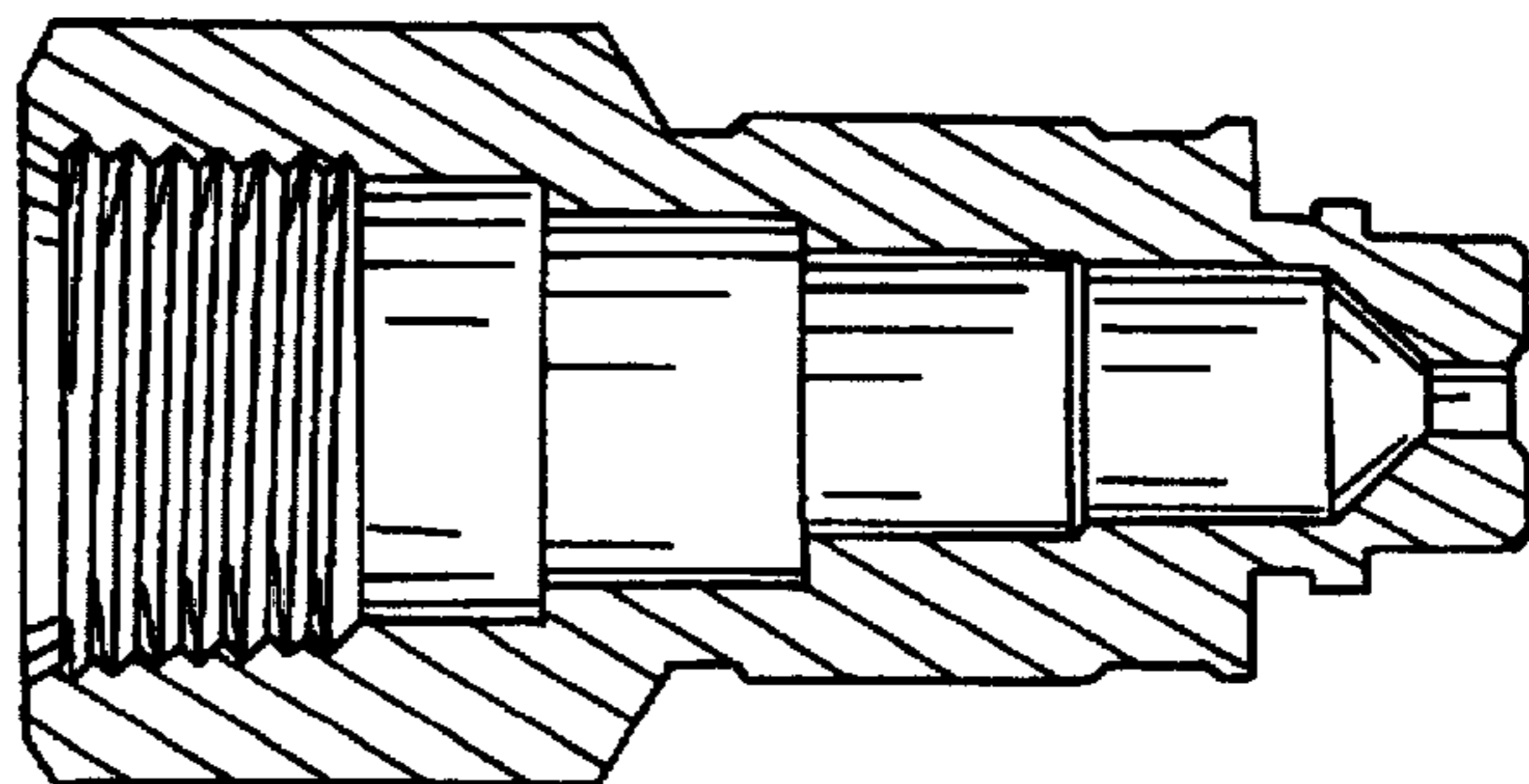


FIG. 6.