



US00D408492S

United States Patent [19]

[11] Patent Number: Des. 408,492

Thomas

[45] Date of Patent: **Apr. 20, 1999

[54] COMBINED MOTOR HOUSING, SWITCH HOUSING AND BLADE IRONS UNIT FOR A CEILING FAN

[75] Inventor: James Thomas, Memphis, Tenn.

[73] Assignee: Hunter Fan Company, Memphis, Tenn.

[**] Term: 14 Years

[21] Appl. No.: 29/091,023

[22] Filed: Jul. 22, 1998

[51] LOC (6) CL 23-04

[52] U.S. Cl. D23/411; D23/377; D23/385

[58] Field of Search D23/377, 379, D23/385, 411; 416/5; 392/364; D26/59, 51, 72, 81-86, 88; 362/96

[56] References Cited

PUBLICATIONS

Winnower Fan Co. Inc Adv Flyer, p. 10, Ceiling Fan (A).
Great 2000 Enterprise, Inc Adv. Flyer, Front Side of page, Ceiling Fan (B).

Primary Examiner—Lisa Lichtenstein

Attorney, Agent, or Firm—Baker, Donelson, Bearman & Caldwell

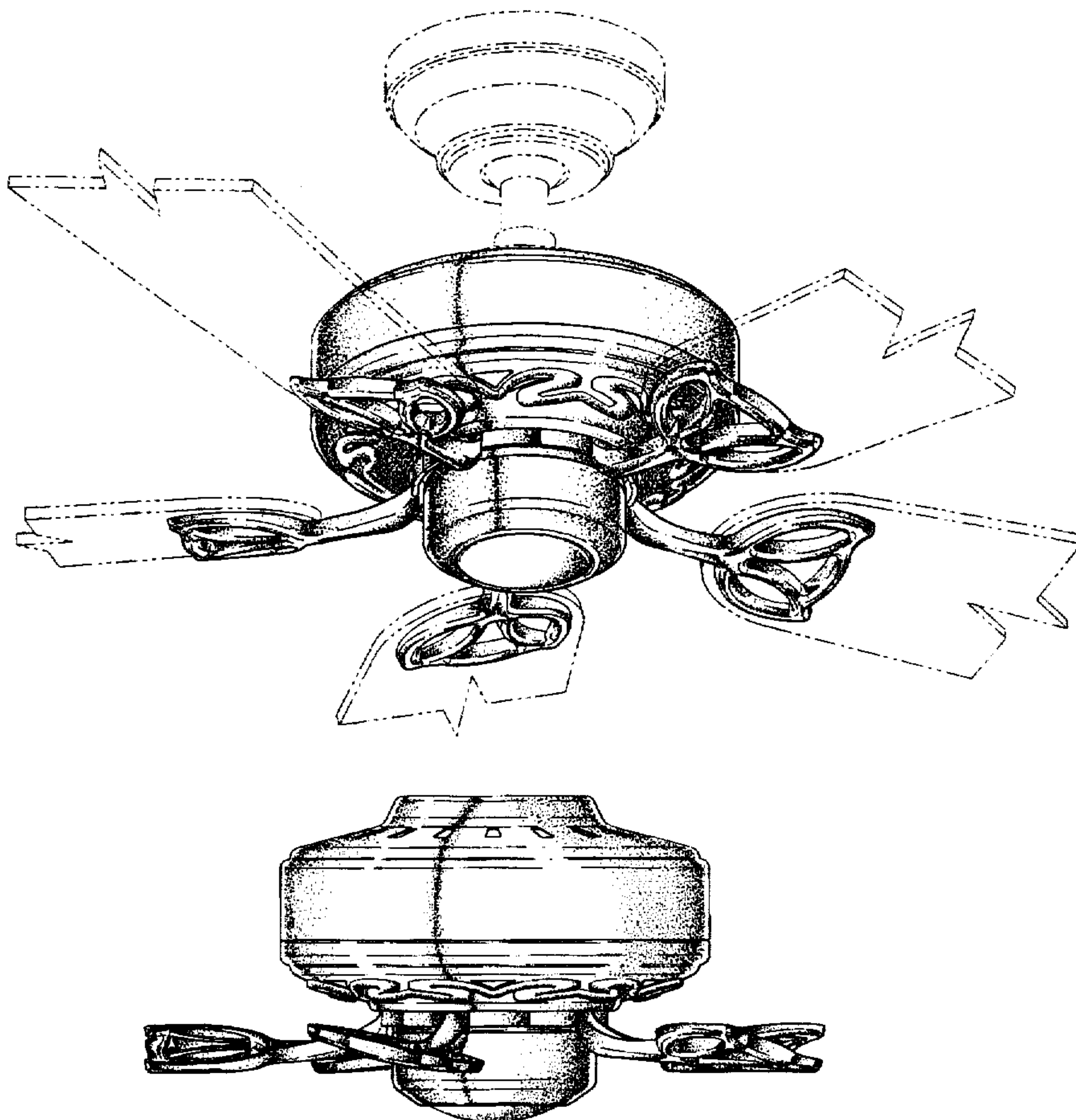
[57] CLAIM

The ornamental design for a combined motor housing, switch housing and blade irons unit for a ceiling fan, as shown and described.

DESCRIPTION

FIG. 1 is a perspective view of a combined motor housing, switch housing and blade irons unit for a ceiling fan showing my new design;
FIG. 2 is a perspective view thereof;
FIG. 3 is a front view thereof;
FIG. 4 is a right-side view thereof;
FIG. 5 is a rear view thereof;
FIG. 6 is a left-side view thereof;
FIG. 7 is a top view thereof;
FIG. 8 is a bottom view thereof;
FIG. 9 is a perspective view of a second embodiment of the design shown in FIGS. 1—8;
FIG. 10 is a front view of FIG. 9;
FIG. 11 is a right-side view of FIG. 9;
FIG. 12 is a rear view of FIG. 9;
FIG. 13 is a left-side view of FIG. 9; and,
FIG. 14 is a top view of FIG. 9, the bottom view being identical to the bottom view illustrated in FIG. 8.
The broken-line showing of environmental structure in FIG. 1 is for illustrative purposes only and forms no part of the claimed design.

1 Claim, 14 Drawing Sheets



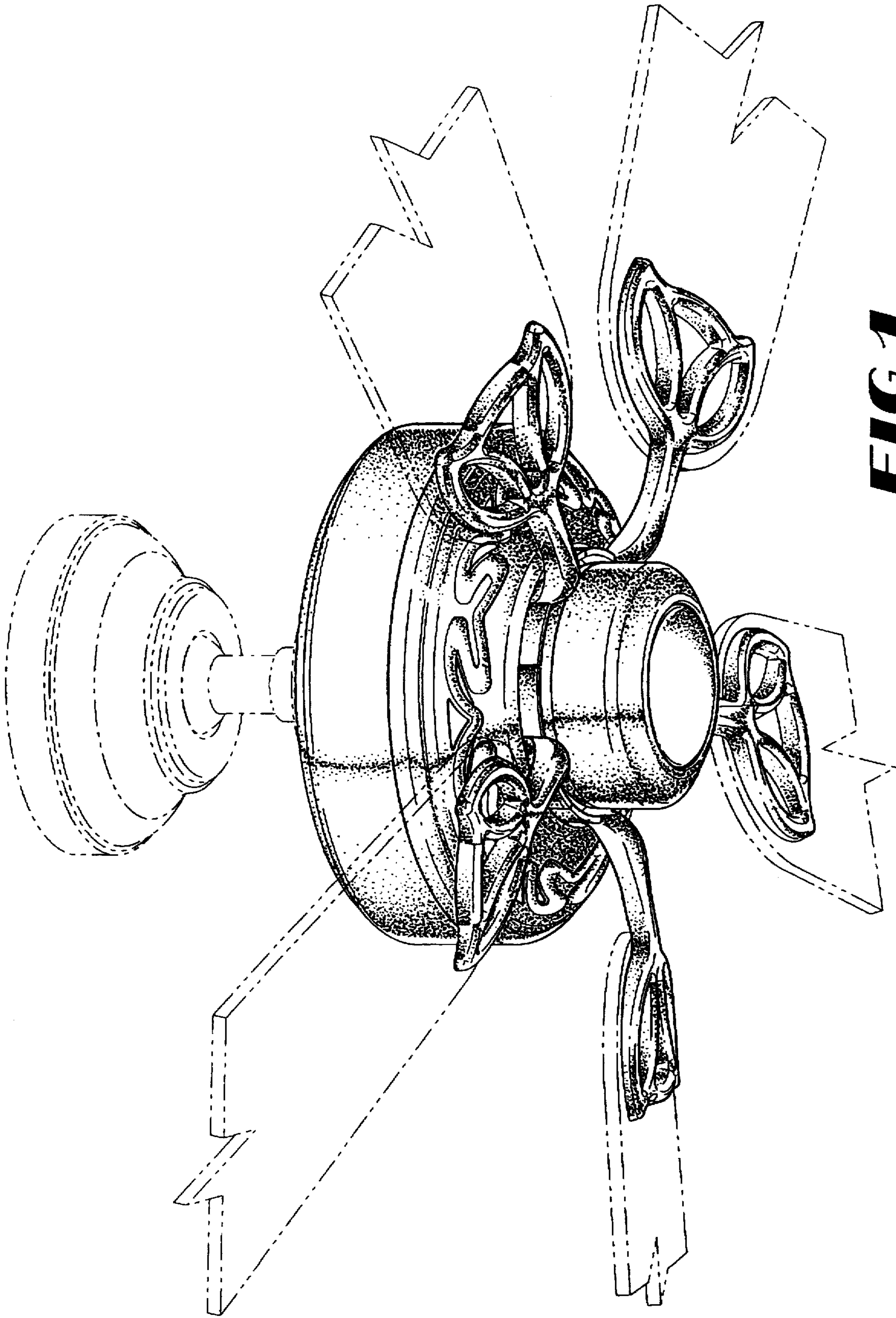


FIG 1

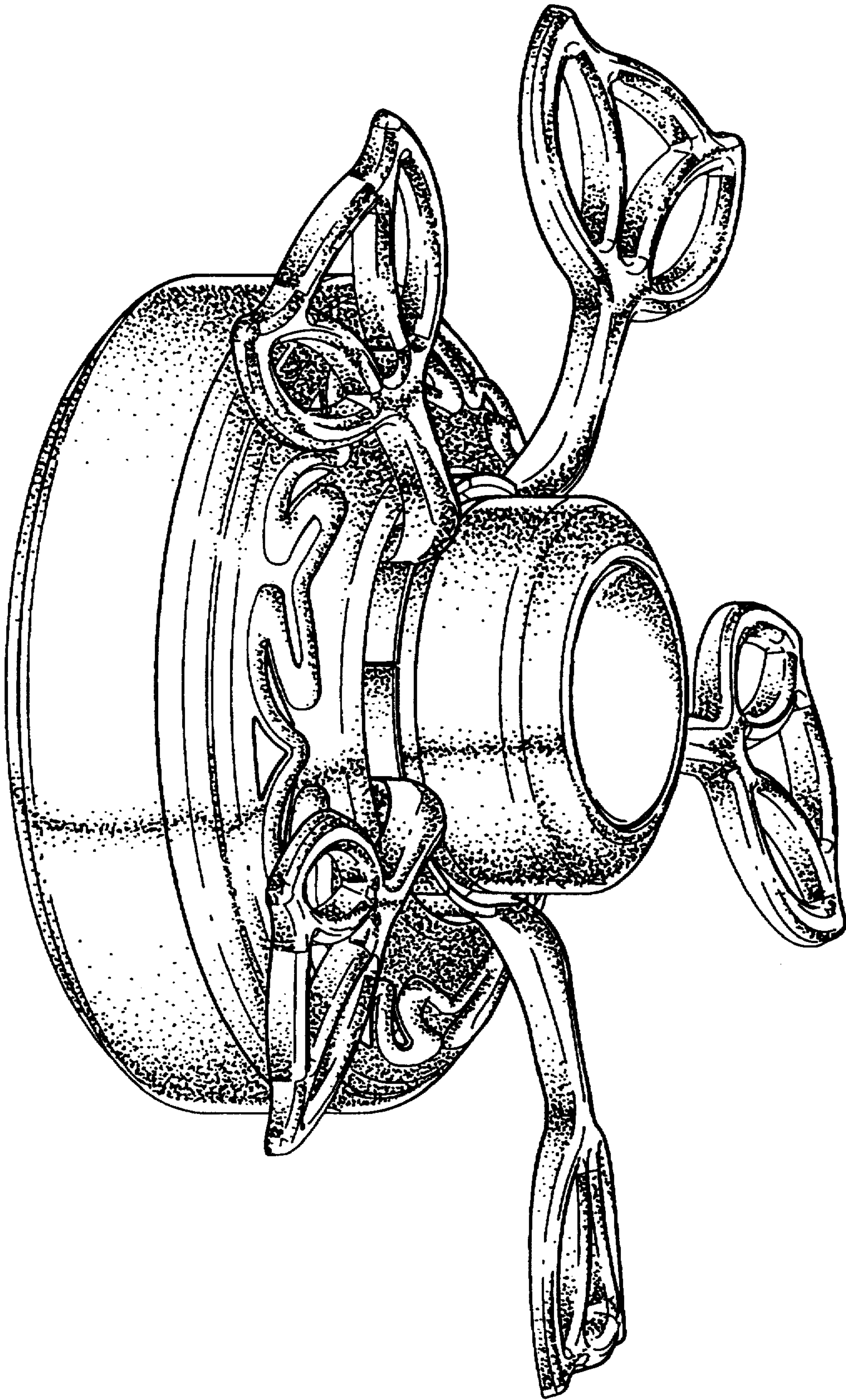


FIG 2

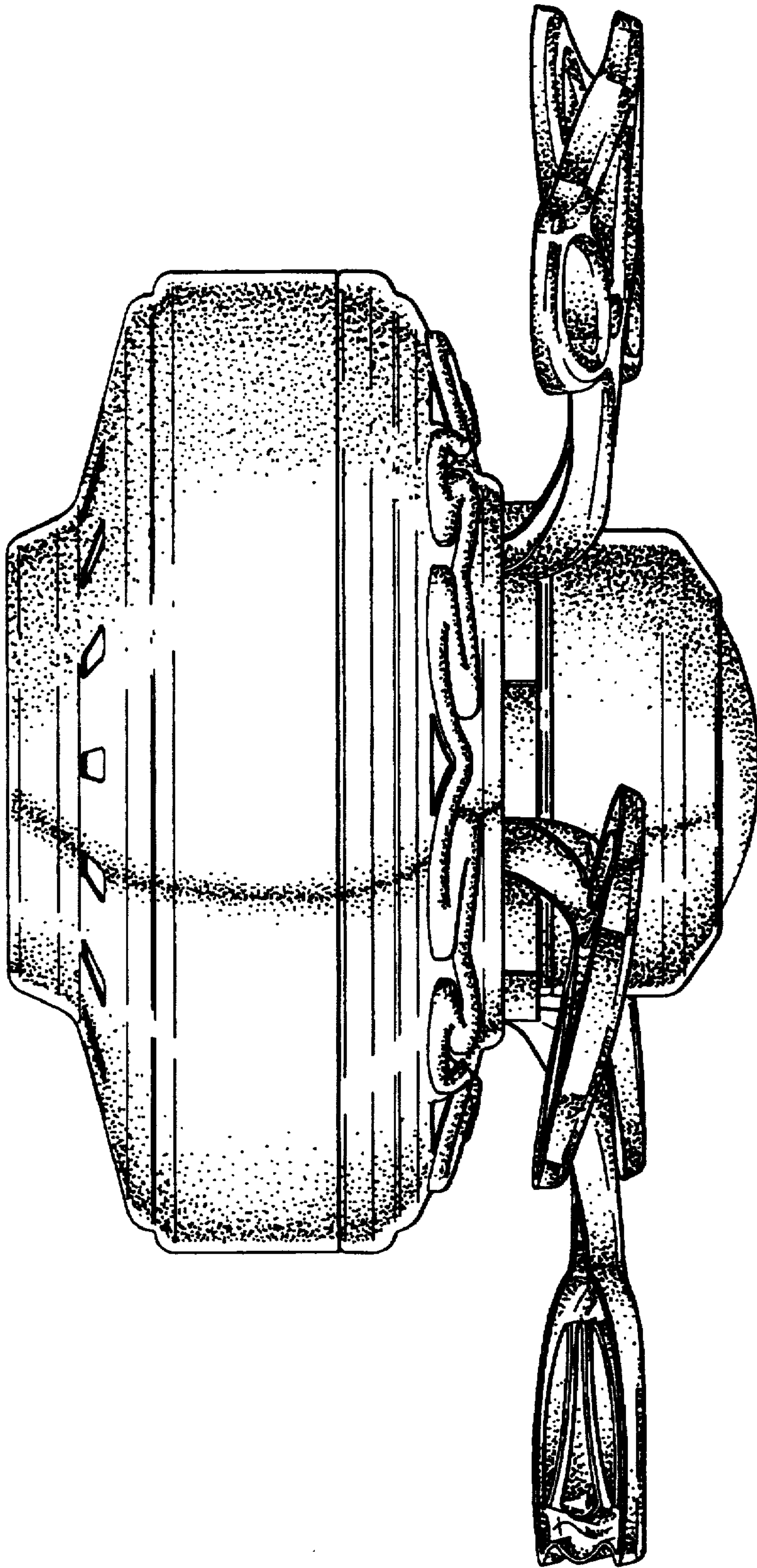


FIG 3

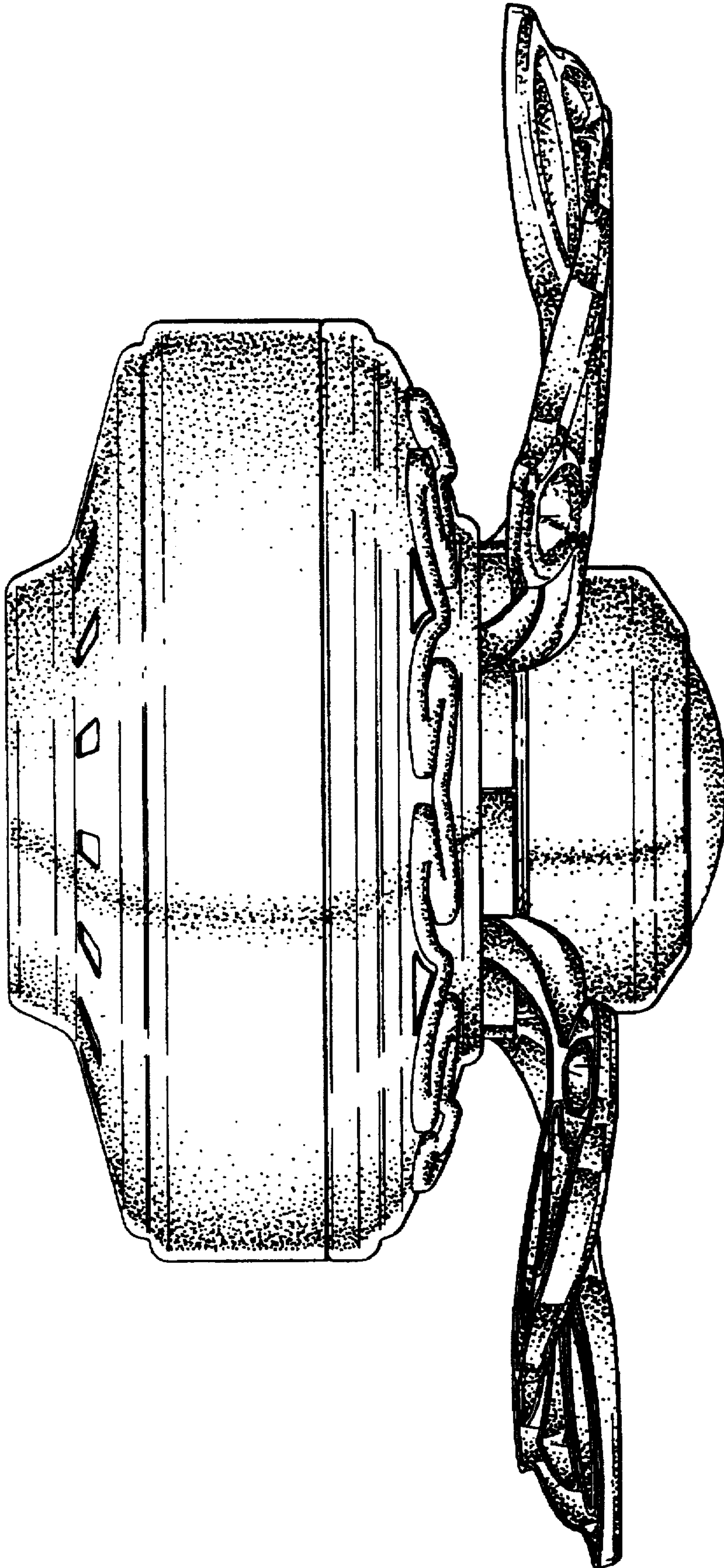


FIG 4

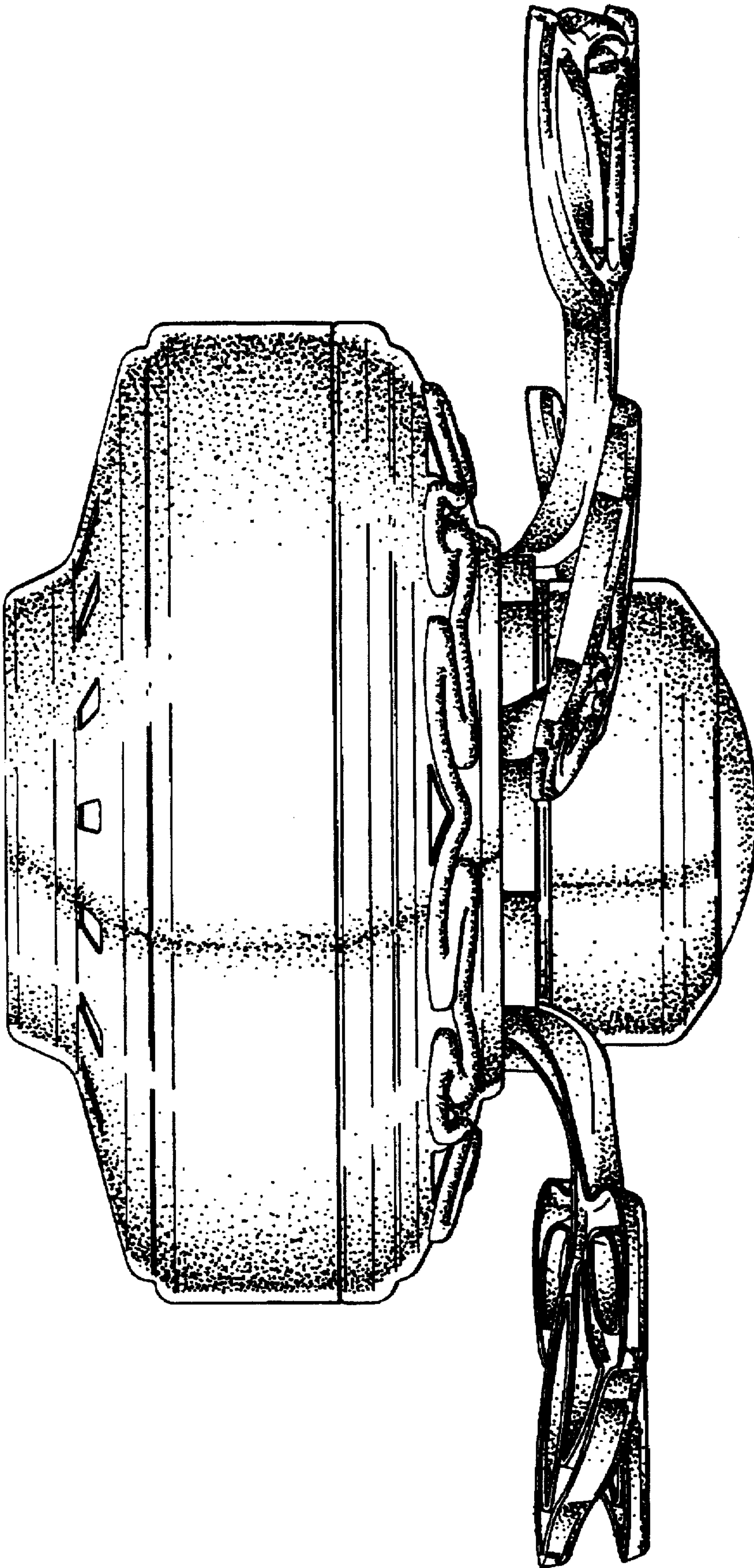


FIG 5

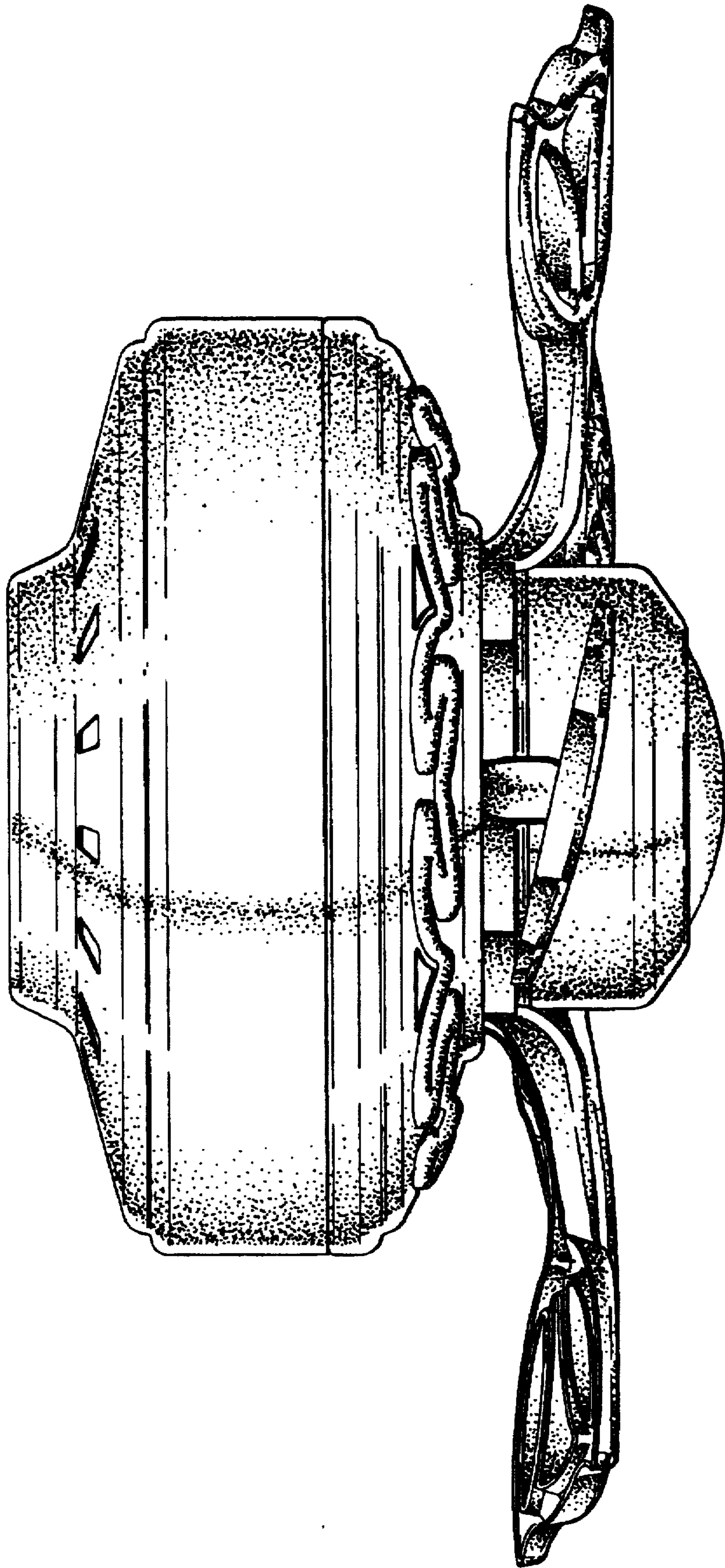


FIG 6

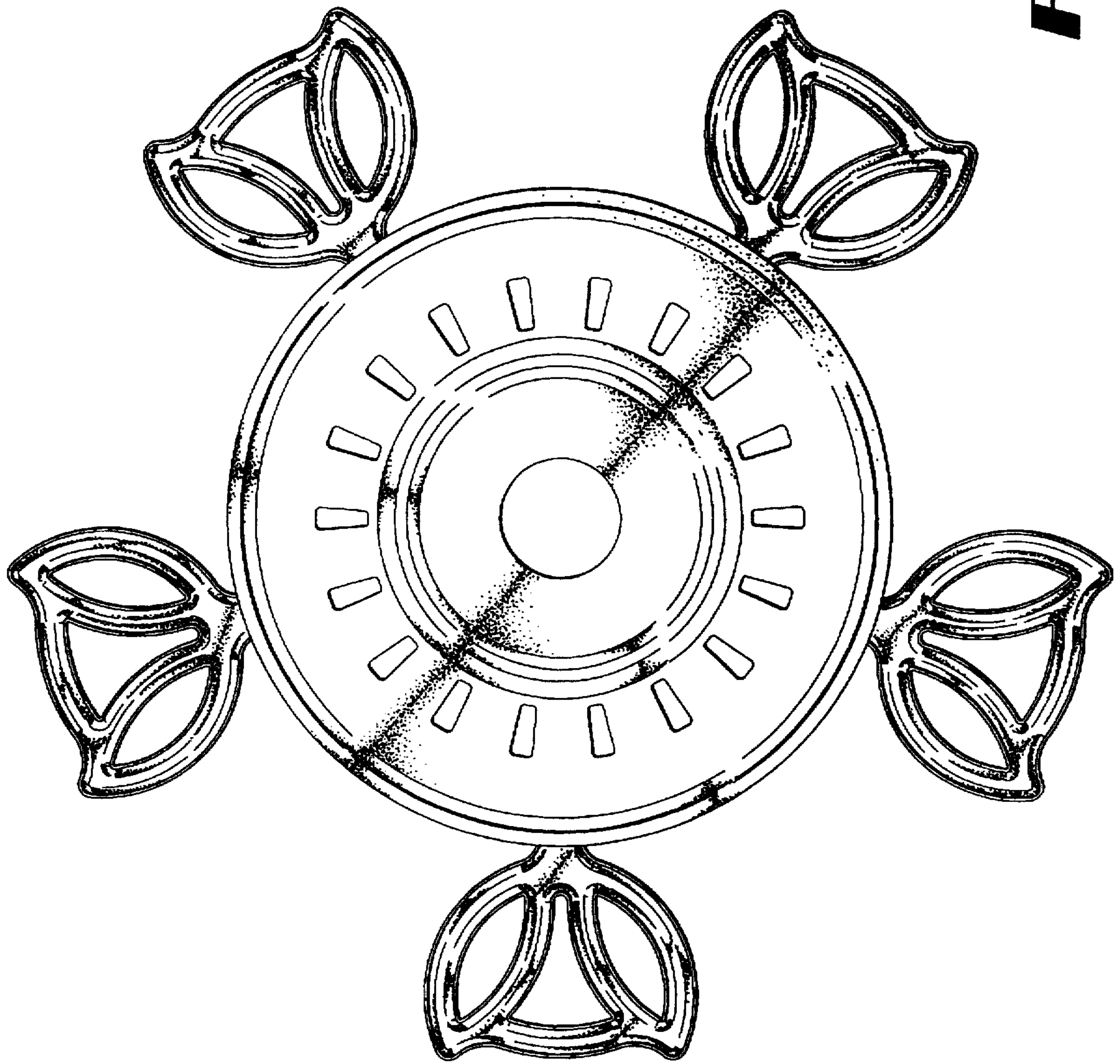


FIG 7

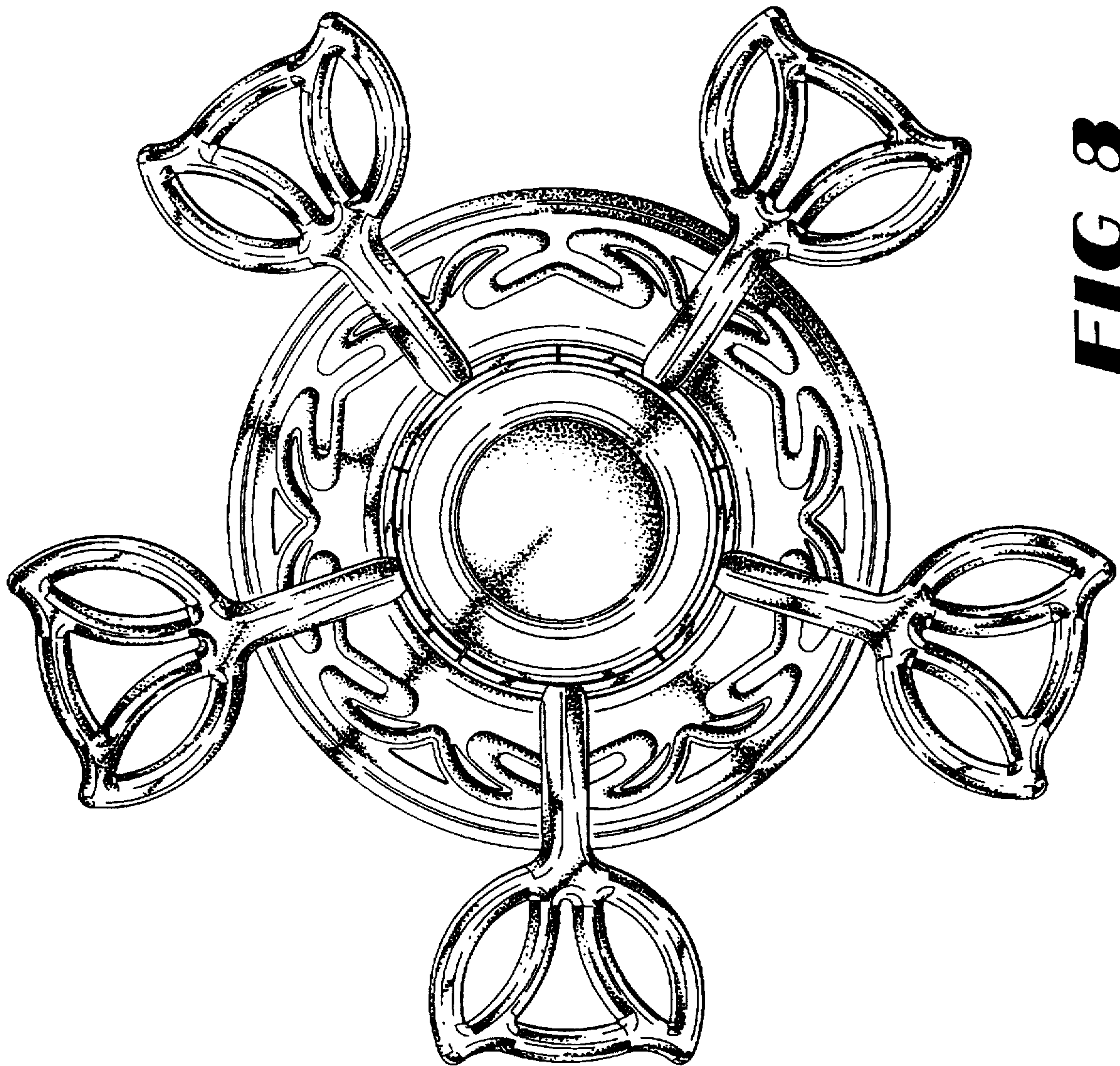


FIG 8

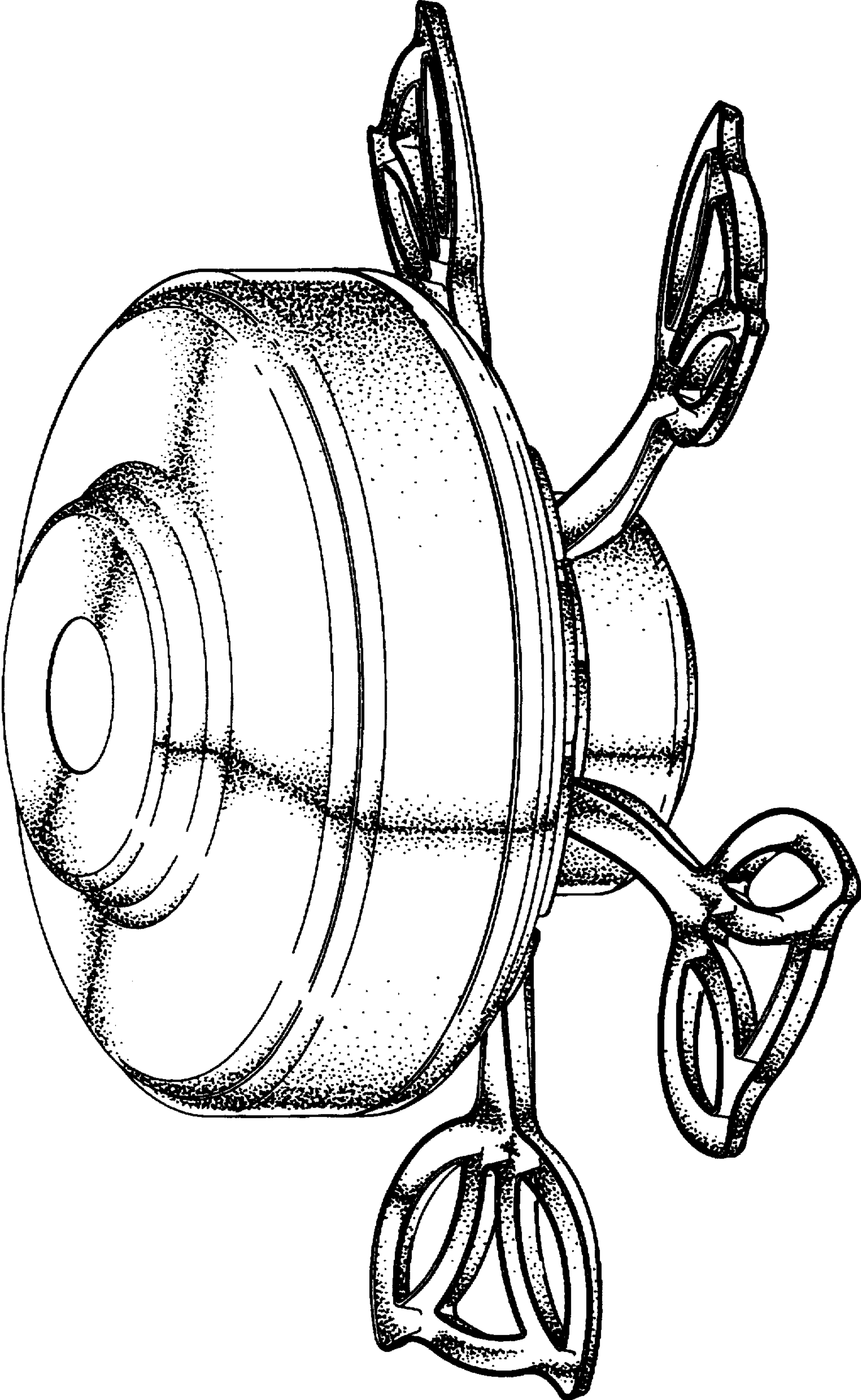


FIG 9

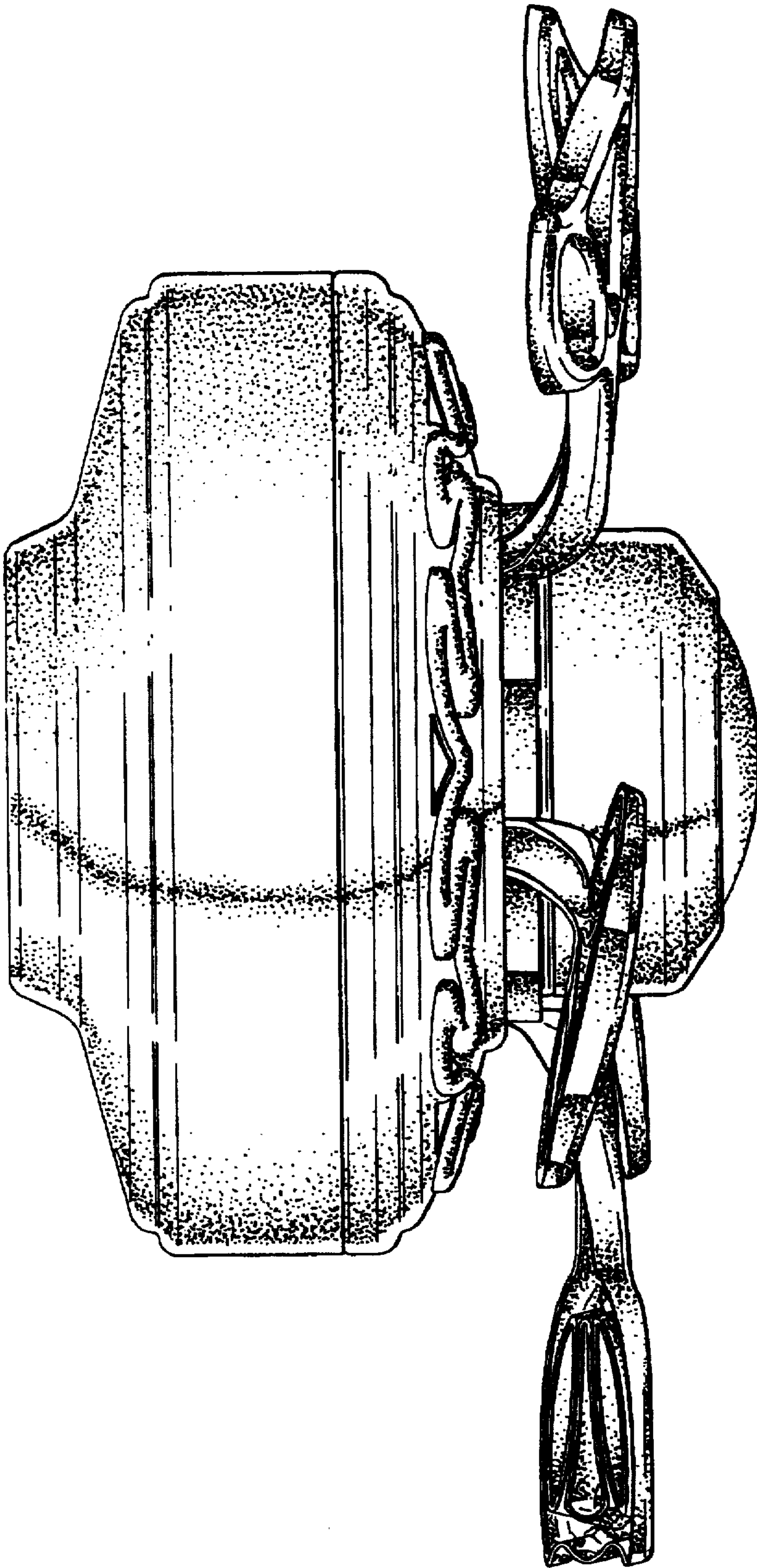


FIG 10

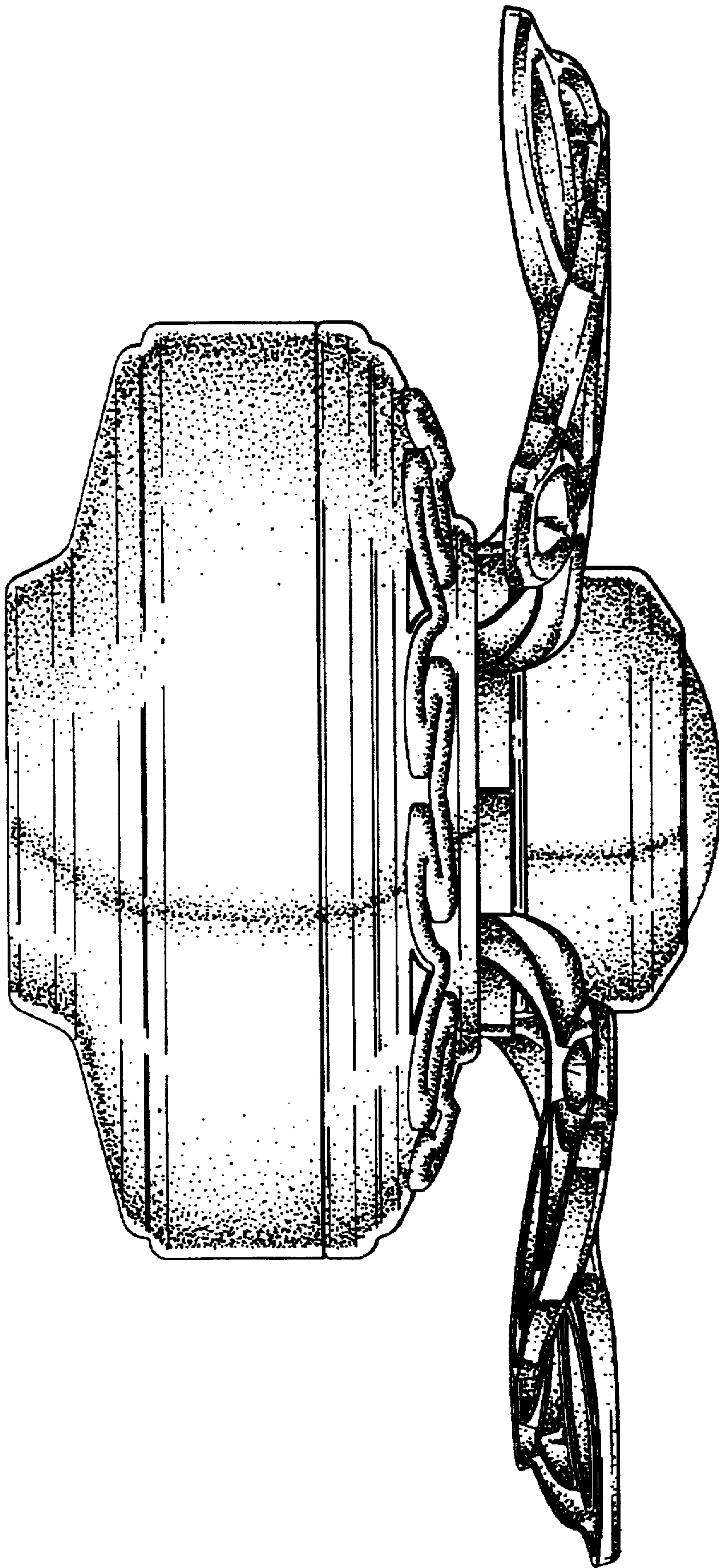


FIG 11

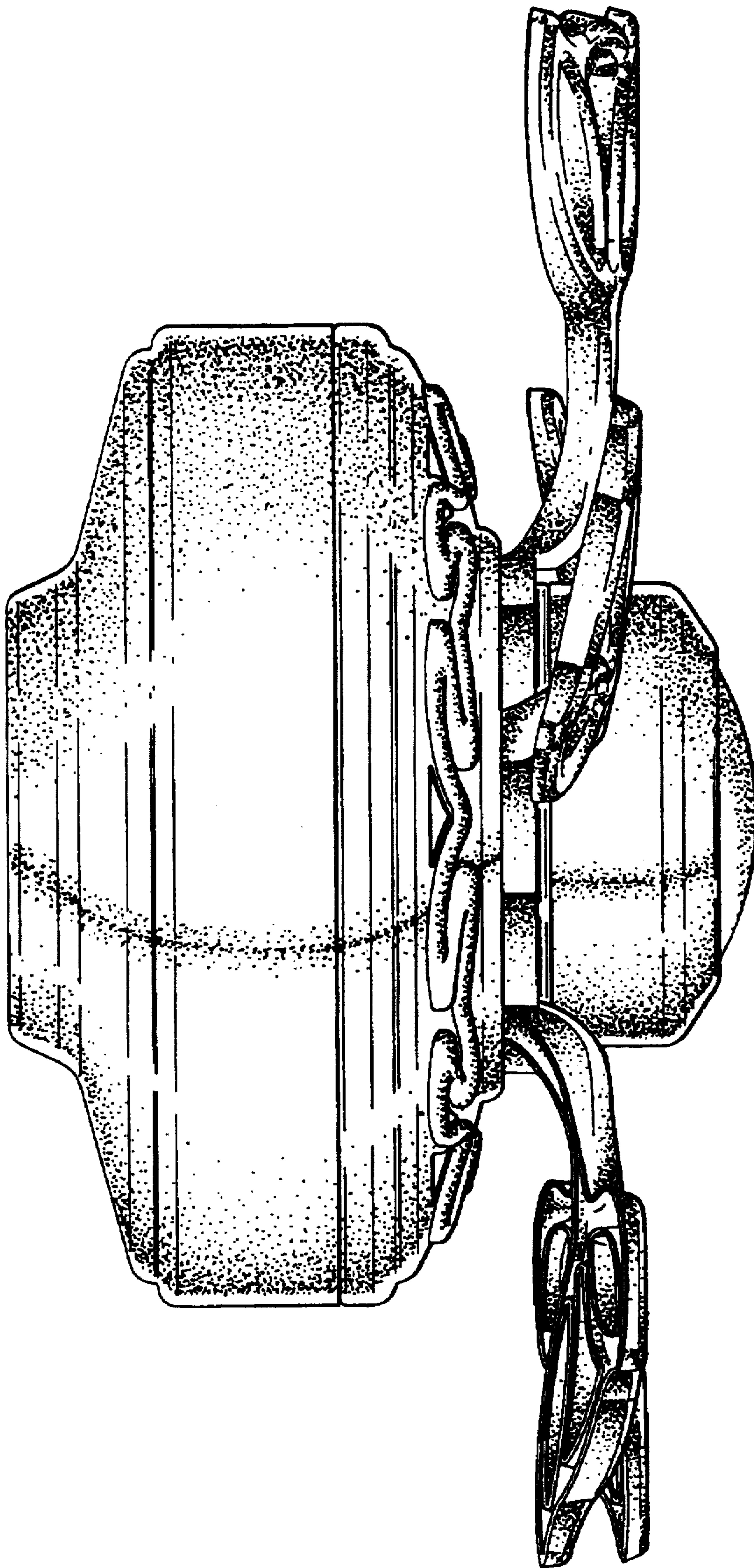


FIG 12

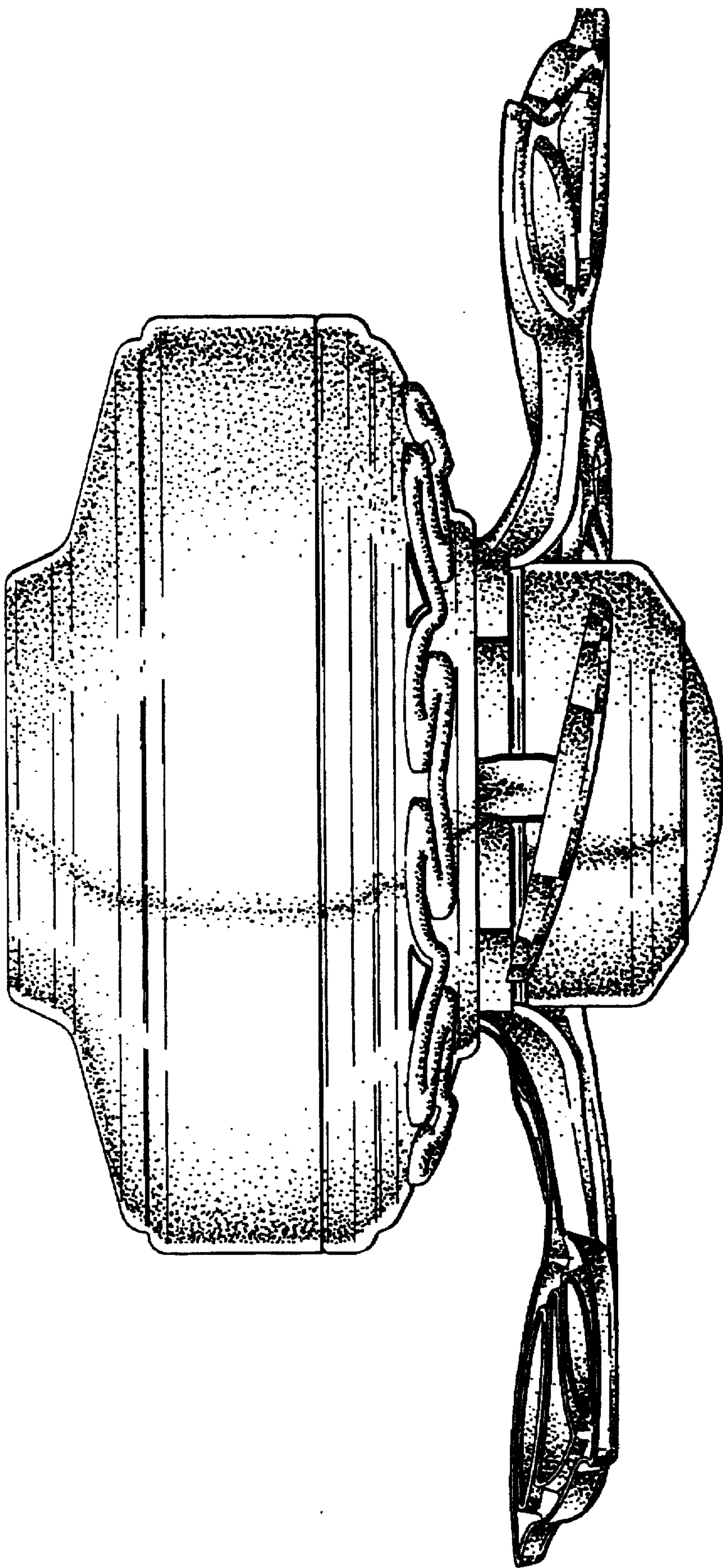


FIG 13

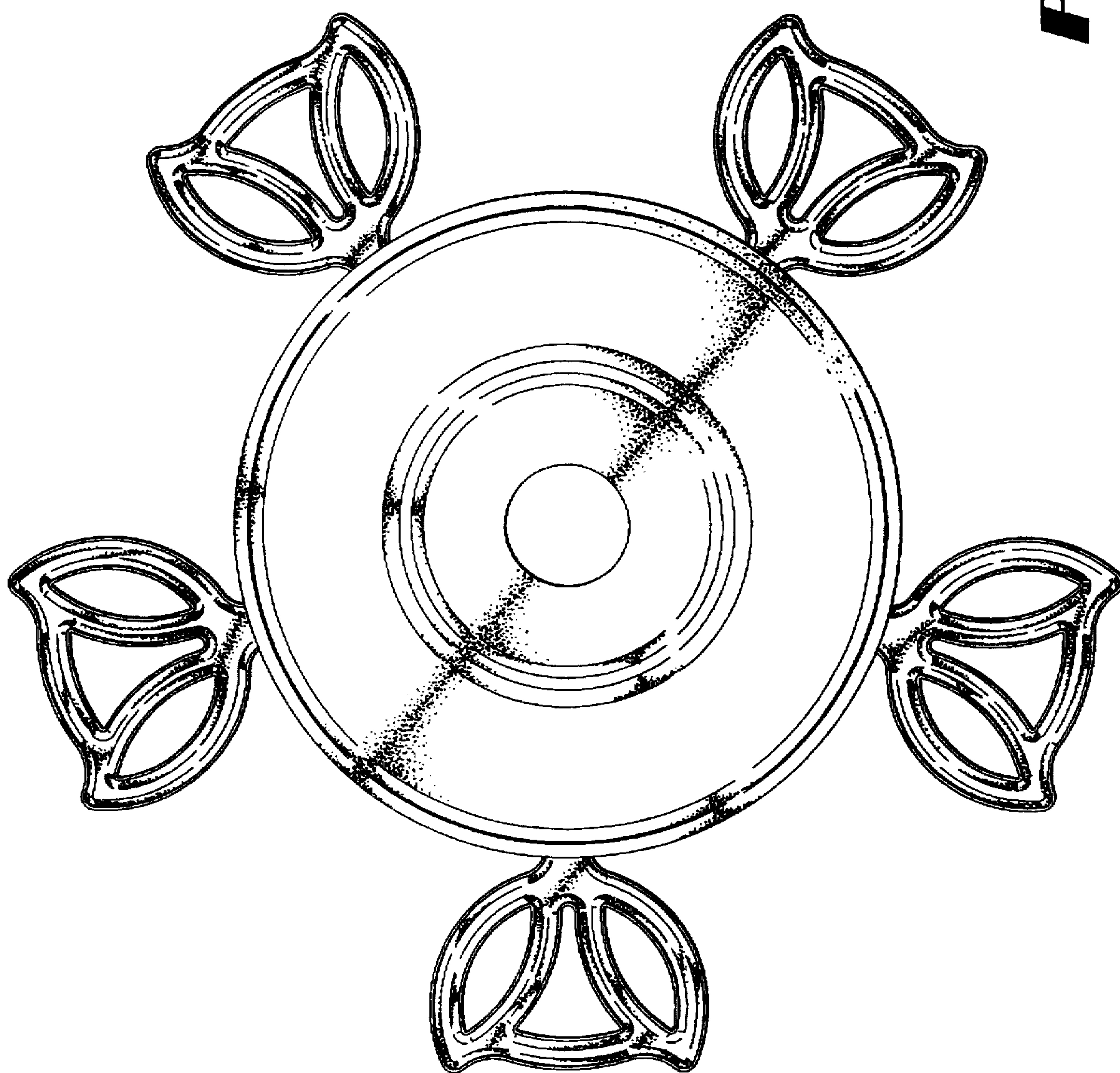


FIG 14