



US00D408491S

United States Patent [19]
Savage

[11] **Patent Number: Des. 408,491**

[45] **Date of Patent: **Apr. 20, 1999**

[54] **PENDULUM SIGHT**

[76] **Inventor: Huey P. Savage, 110 N. Front St., Oak Grove, La. 71263**

[**] **Term: 14 Years**

[21] **Appl. No.: 29/088,502**

[22] **Filed: May 26, 1998**

[51] **LOC (6) CL. 22-01**

[52] **U.S. CL. D22/107; D22/100; D22/199**

[58] **Field of Search D22/100, 107, D22/199; 33/265; 42/100; 124/44.5, 88**

5,253,423	10/1993	Sullivan, Jr. et al.	33/265
5,429,107	7/1995	Troncoso, Jr.	124/44.5
5,454,169	10/1995	Keller	33/265
5,467,759	11/1995	Troncoso	124/44.5
5,490,491	2/1996	Troncoso	124/44.5
5,606,962	3/1997	Troncoso	124/44.5
5,634,455	6/1997	Troncoso	124/44.5

Primary Examiner—Louis S. Zarfaz
Assistant Examiner—Monica A. Weingart
Attorney, Agent, or Firm—Joseph N. Breaux

[57] **CLAIM**

I claim the ornamental design for a pendulum sight, as shown.

DESCRIPTION

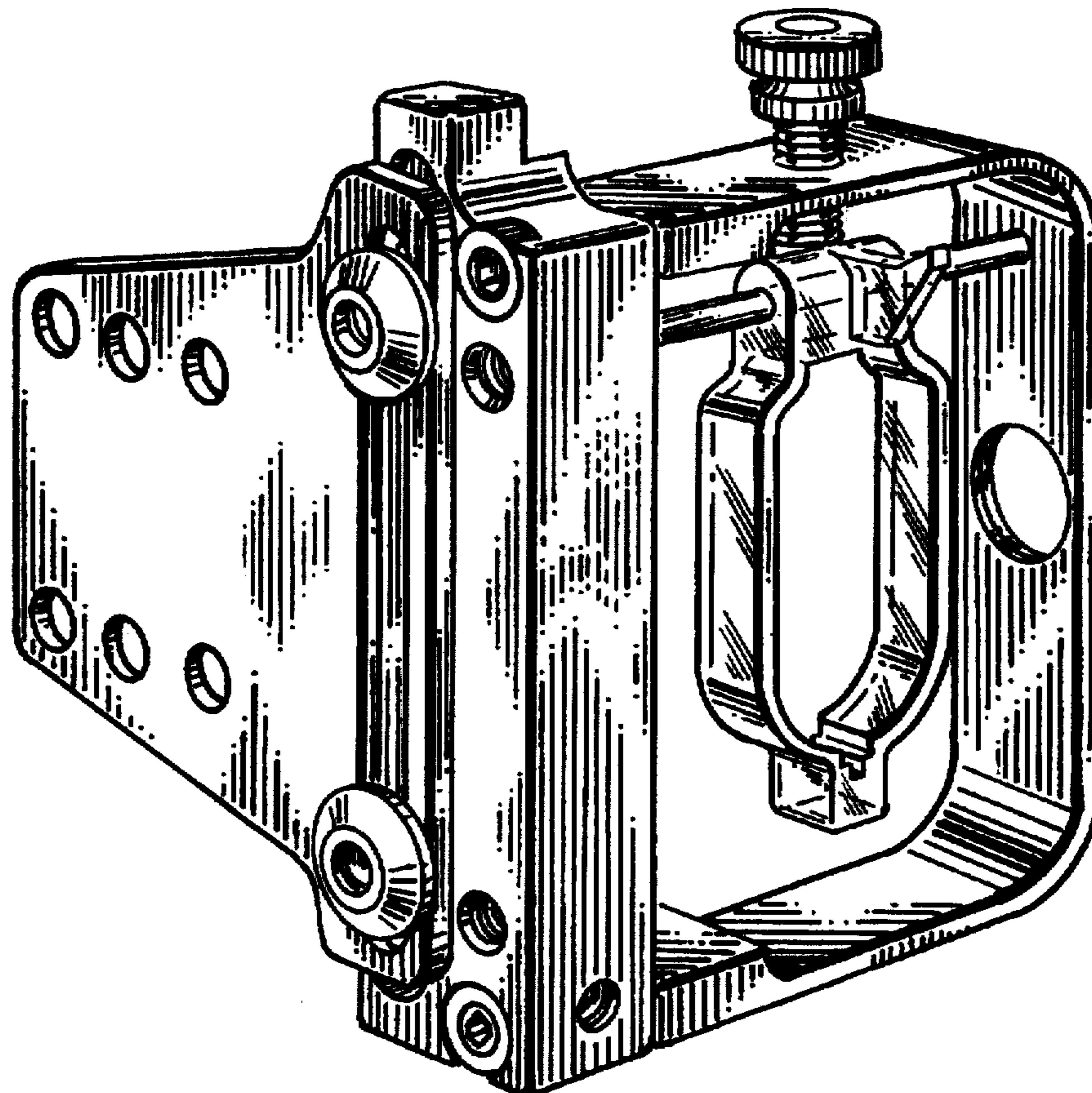
FIG. 1 is a perspective view of my pendulum sight design. FIG. 2 is a front plan view of my pendulum sight design. FIG. 3 is a plan side view of the right side of my pendulum sight design. FIG. 4 is a plan side view of the left side of my pendulum sight design. FIG. 5 is a top plan view of my pendulum sight design. FIG. 6 is an underside plan view of my pendulum sight design; and, FIG. 7 is a rear plan view of my pendulum sight design.

1 Claim, 3 Drawing Sheets

[56] **References Cited**

U.S. PATENT DOCUMENTS

D. 374,473	10/1996	Morrell	D22/107
2,335,881	12/1943	Persinger	42/100
4,236,497	12/1980	Troncoso, Jr.	124/24 R
4,332,232	6/1982	Troncoso, Jr.	124/24 R
4,686,956	8/1987	Troncoso, Jr.	124/41 A
4,711,036	12/1987	Morris	33/265
4,748,964	6/1988	Troncoso, Jr.	124/41 A
4,827,895	5/1989	Troncoso, Jr.	124/41 A
4,974,328	12/1990	Lowry	33/265
5,070,855	12/1991	Troncoso	124/44.5
5,121,547	6/1992	Littlejohn	33/265



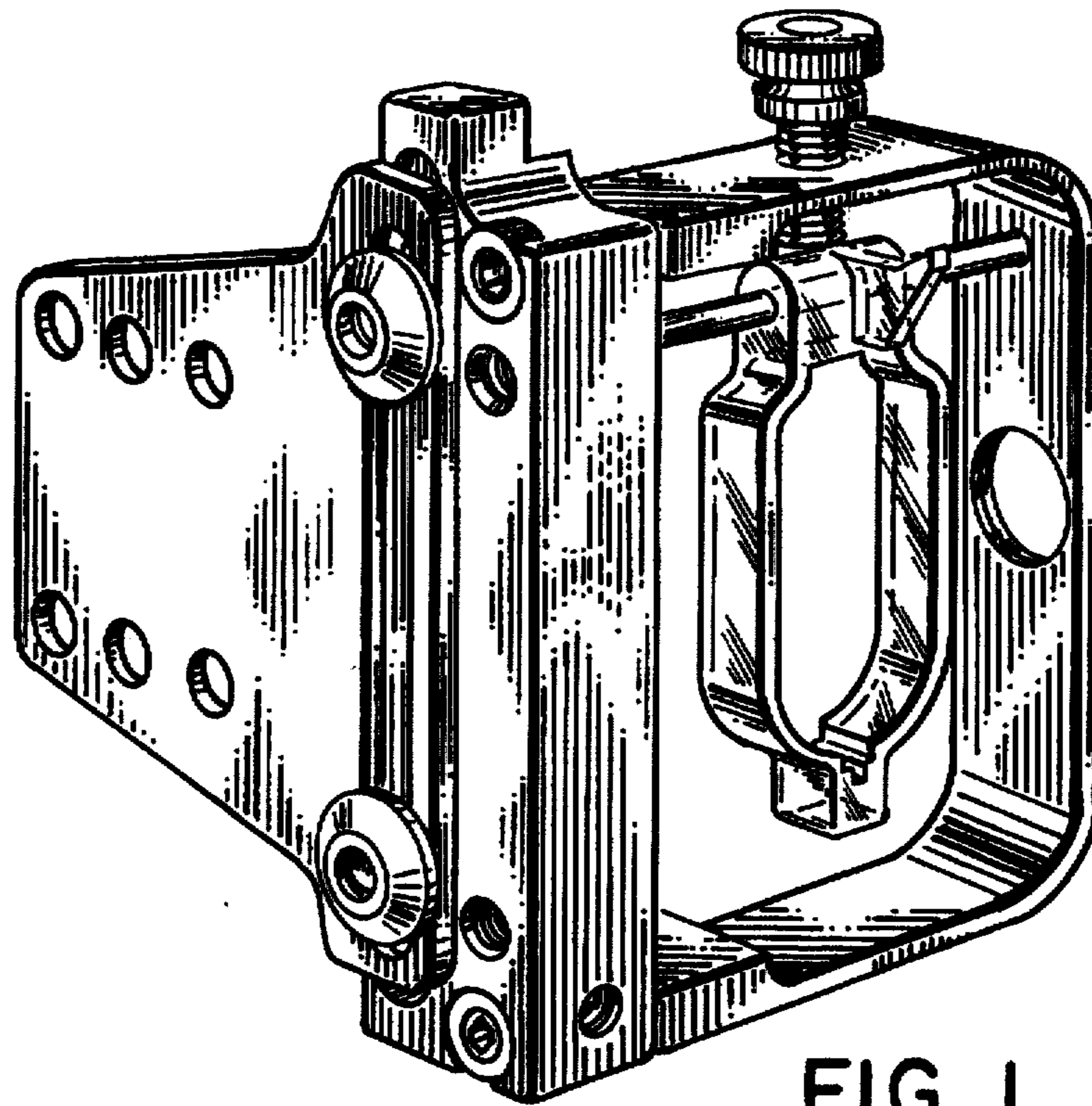


FIG. 1.

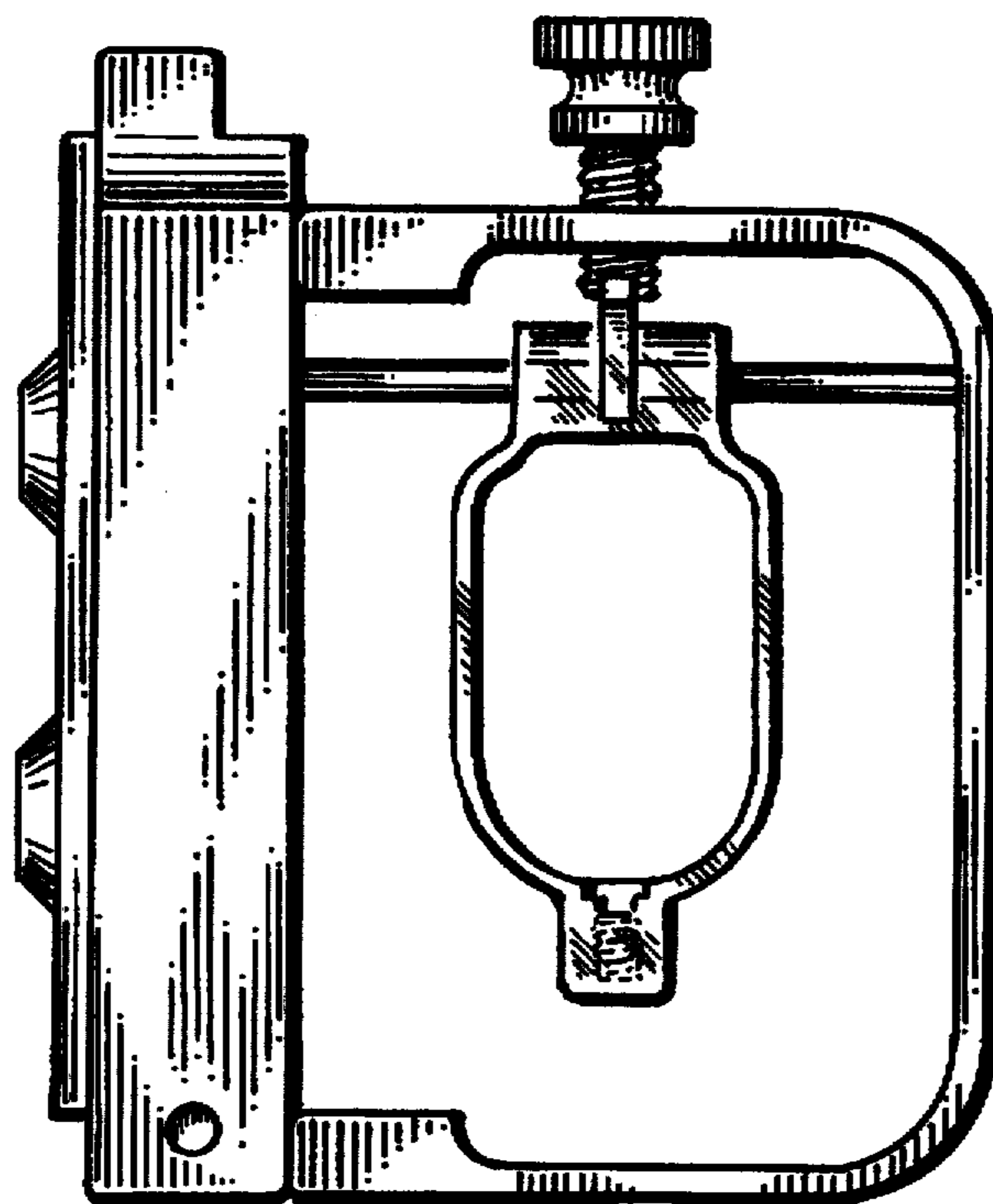


FIG. 2.

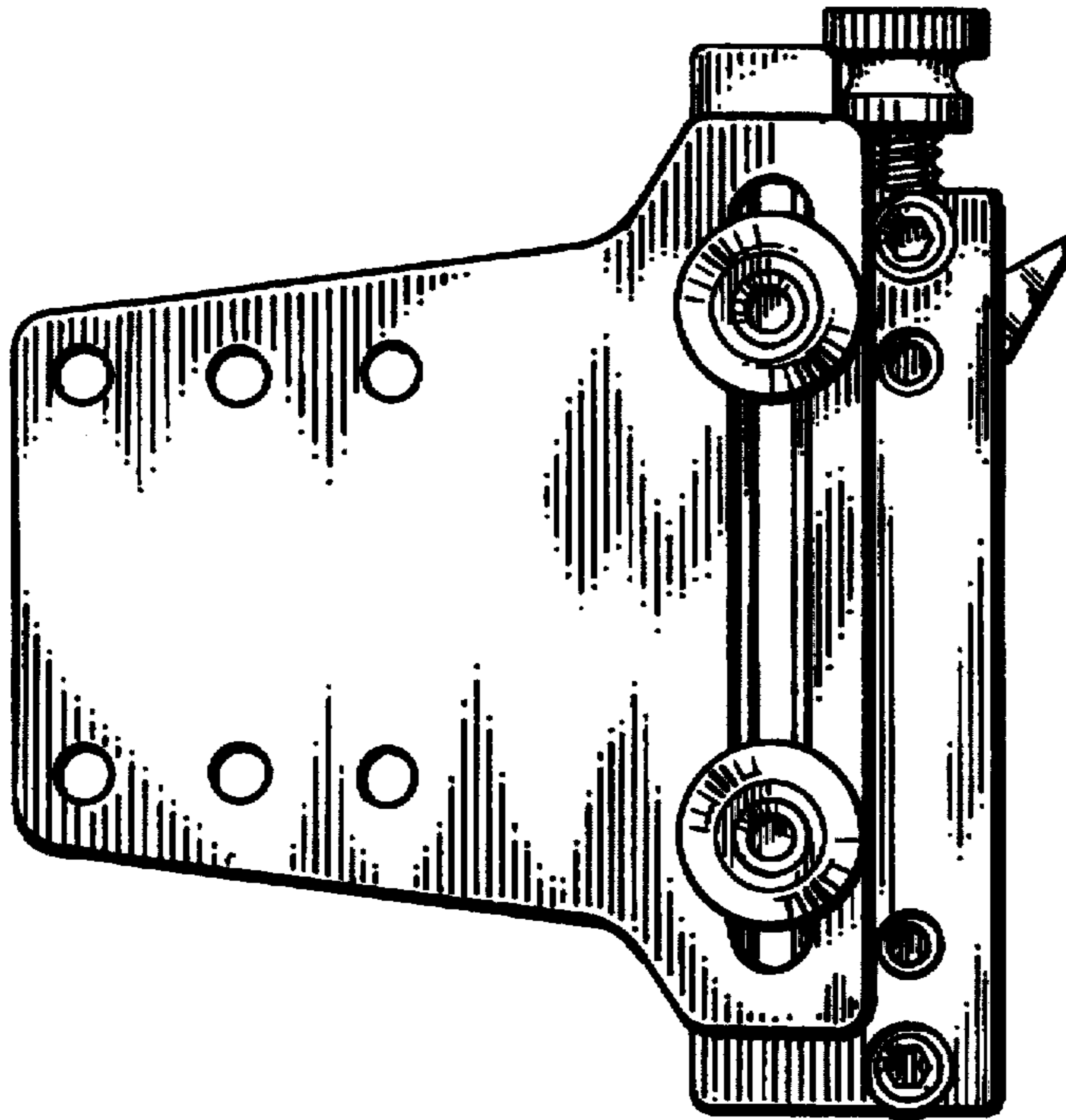


FIG. 3.

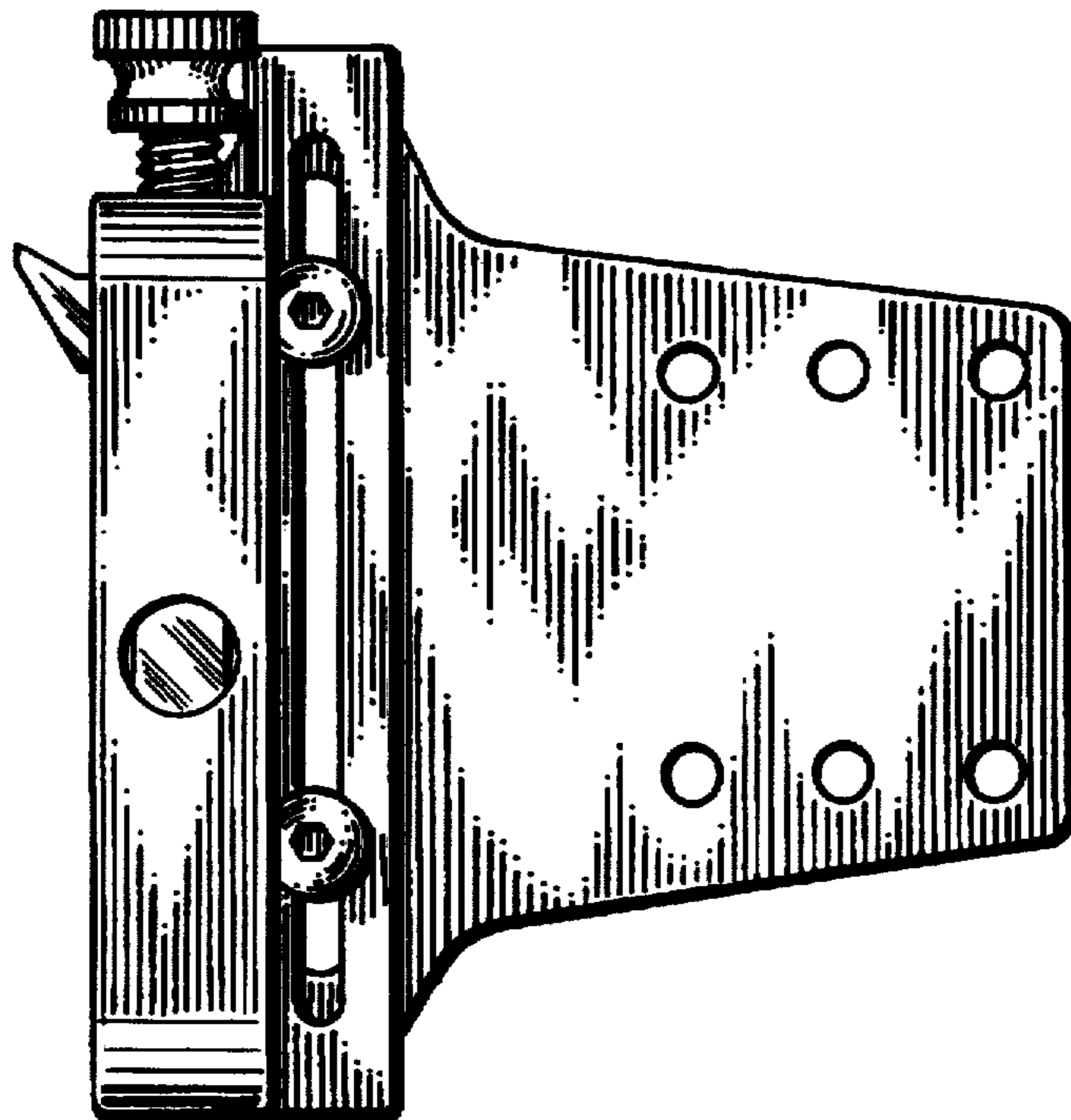


FIG. 4.

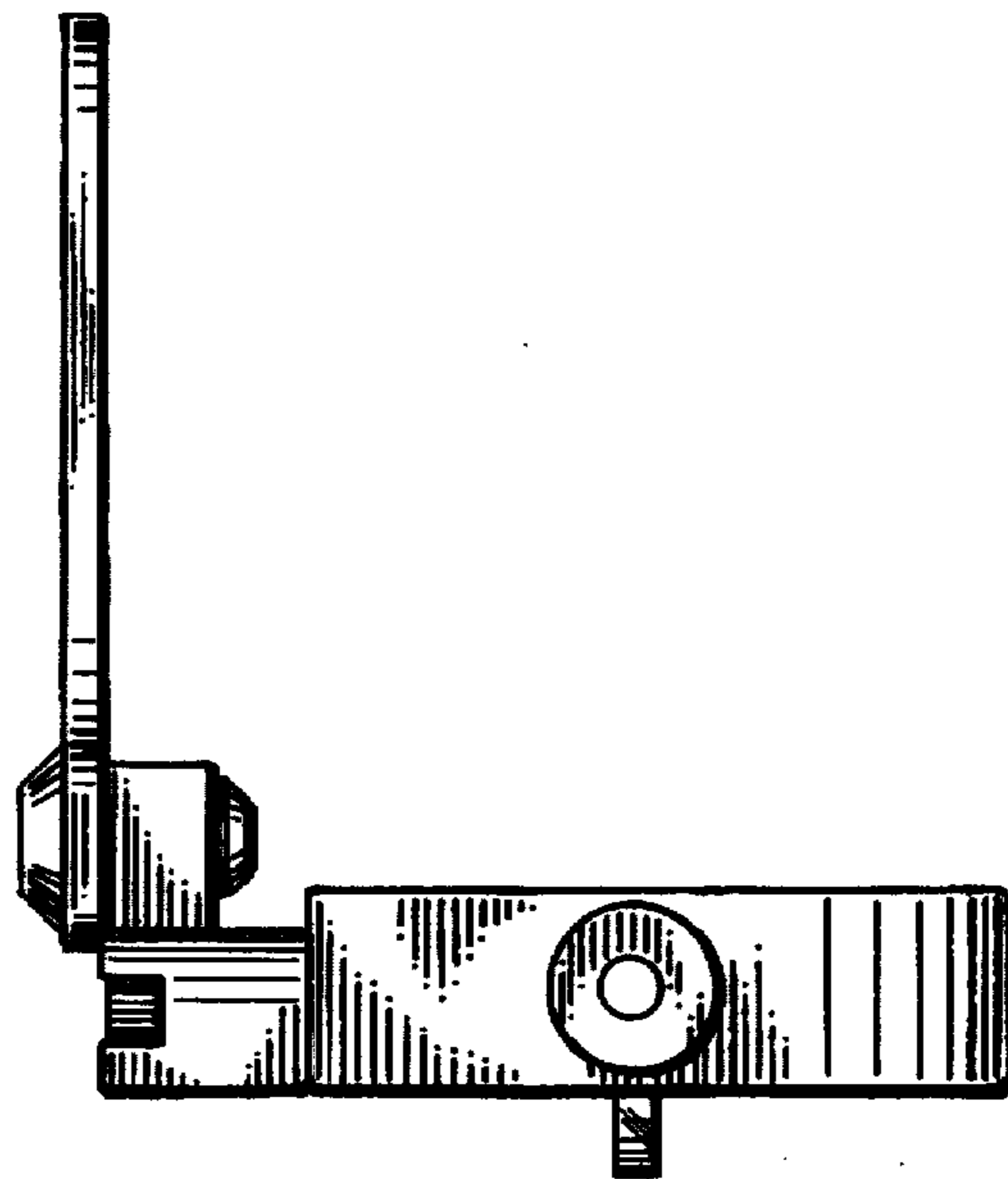


FIG. 5.

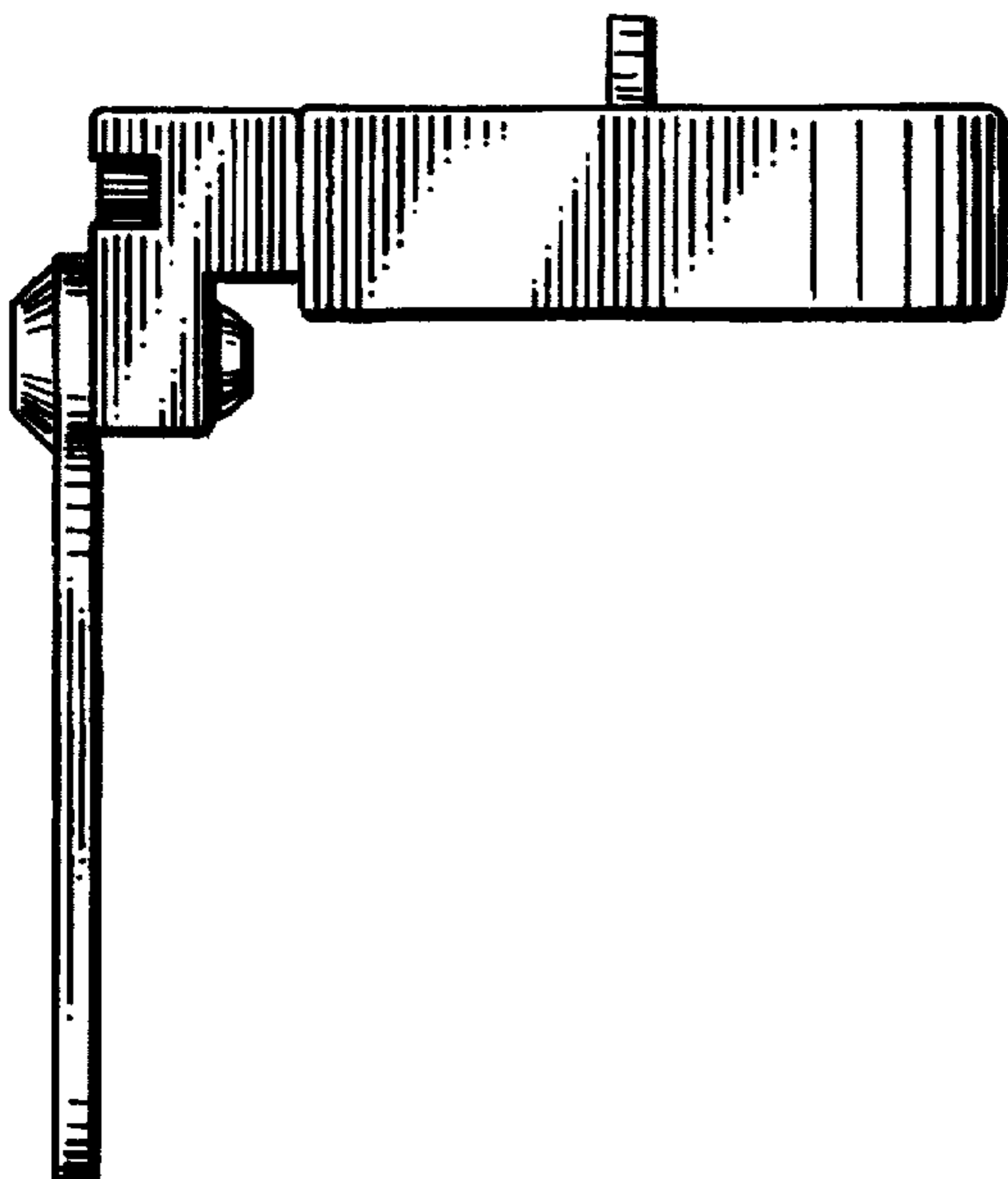


FIG. 6.

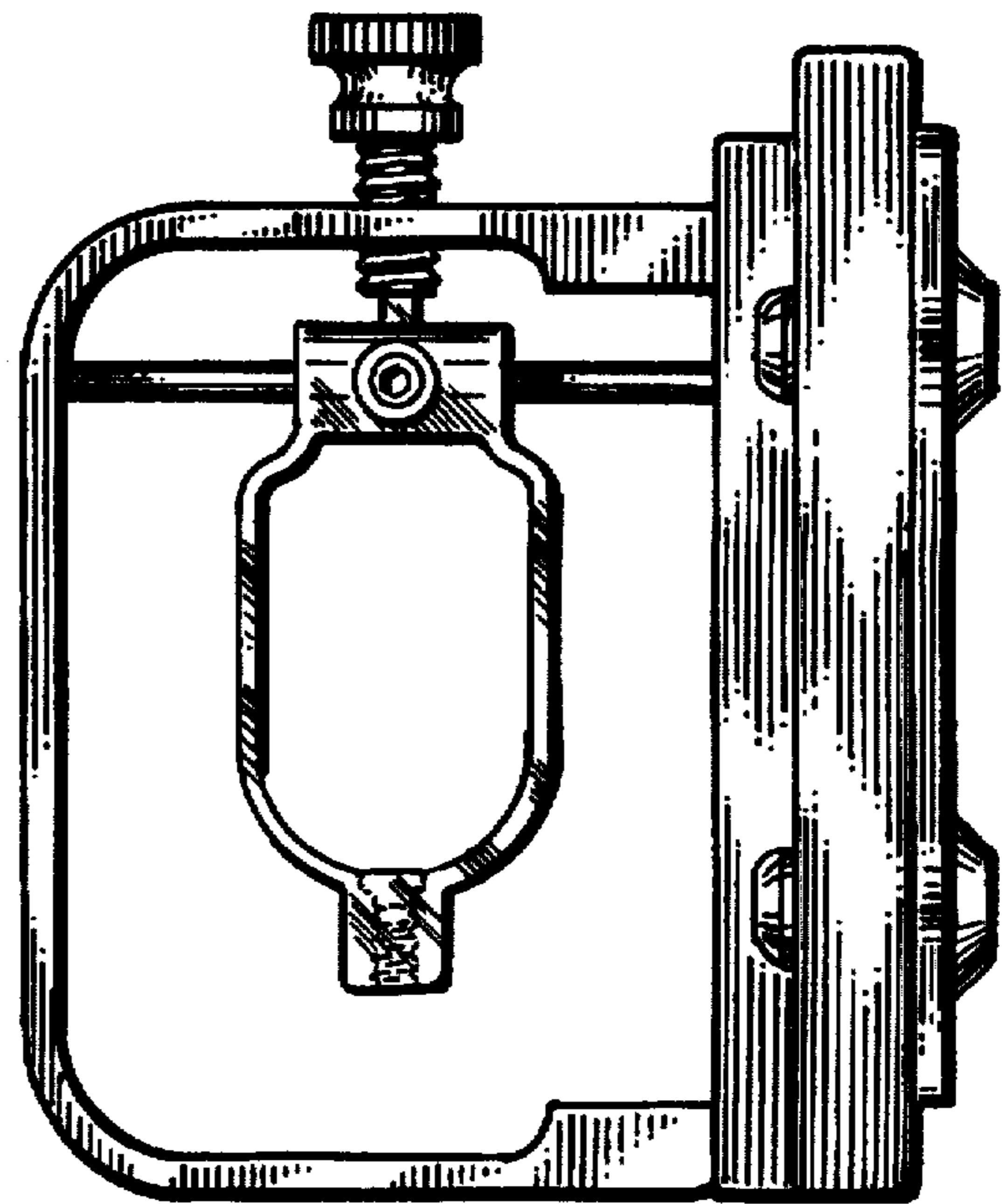


FIG. 7.