



US00D408489S

United States Patent [19]
Recknagel

[11] **Patent Number: Des. 408,489**

[45] **Date of Patent: **Apr. 20, 1999**

[54] **BOWLING LANE DIVISION CAPPING**

5,358,448 10/1994 Stephens 473/113
5,800,274 9/1998 Widrick et al. 473/113

[75] **Inventor: Troy A. Recknagel, Muskegon, Mich.**

Primary Examiner—Prabhakar G. Deshmukh
Attorney, Agent, or Firm—Price, Heneveld, Cooper, DeWitt
and Litton

[73] **Assignee: Brunswick Bowling & Billiards Corporation, Muskegon, Mich.**

[**] **Term: 14 Years**

[57] **CLAIM**

[21] **Appl. No.: 29/081,695**

The ornamental design for bowling lane division capping, as shown and described.

[22] **Filed: Jan. 8, 1998**

DESCRIPTION

[51] **LOC (6) Cl. 21-02**

[52] **U.S. Cl. D21/785**

[58] **Field of Search** D21/785, 786;
473/108-117, 54; D25/122, 121, 123, 124,
125

FIG. 1 is a fragmentary top and left side perspective view of a bowling lane divider cap showing my new design; the top and right side perspective view being a mirror image thereof;

FIG. 2 is a top plan view thereof;

FIG. 3 is a left side elevational view thereof; the right side elevational view being a mirror image thereof;

FIG. 4 is a front elevational view thereof; the rear elevational view being a mirror image thereof; and,

FIG. 5 is a bottom plan view thereof.

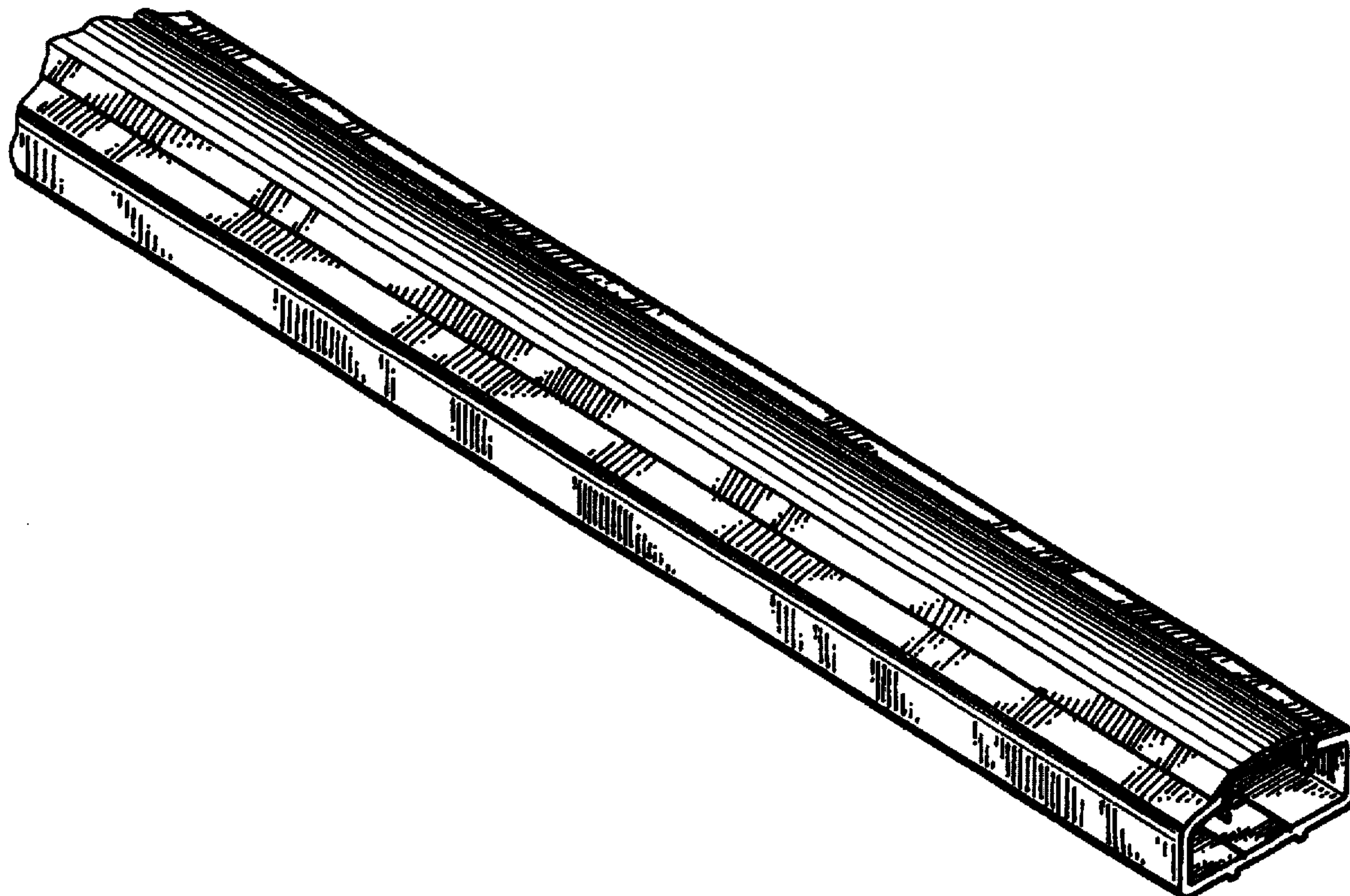
FIGS. 1 and 3 are drawn in smaller scale. It is understood that the invention shown in FIGS. 2, 3 and 5 indicates indefinite length.

[56] **References Cited**

U.S. PATENT DOCUMENTS

D. 301,909	6/1989	Heddon .	
1,094,109	4/1914	Alpaugh	D25/122 X
2,301,778	11/1942	Gremp et al.	473/113
3,063,717	11/1962	Le Mieux	473/110
4,330,122	5/1982	Sheinberg et al.	473/109
4,801,143	1/1989	Heddon .	
4,913,433	4/1990	Rocheffort .	

1 Claim, 1 Drawing Sheet



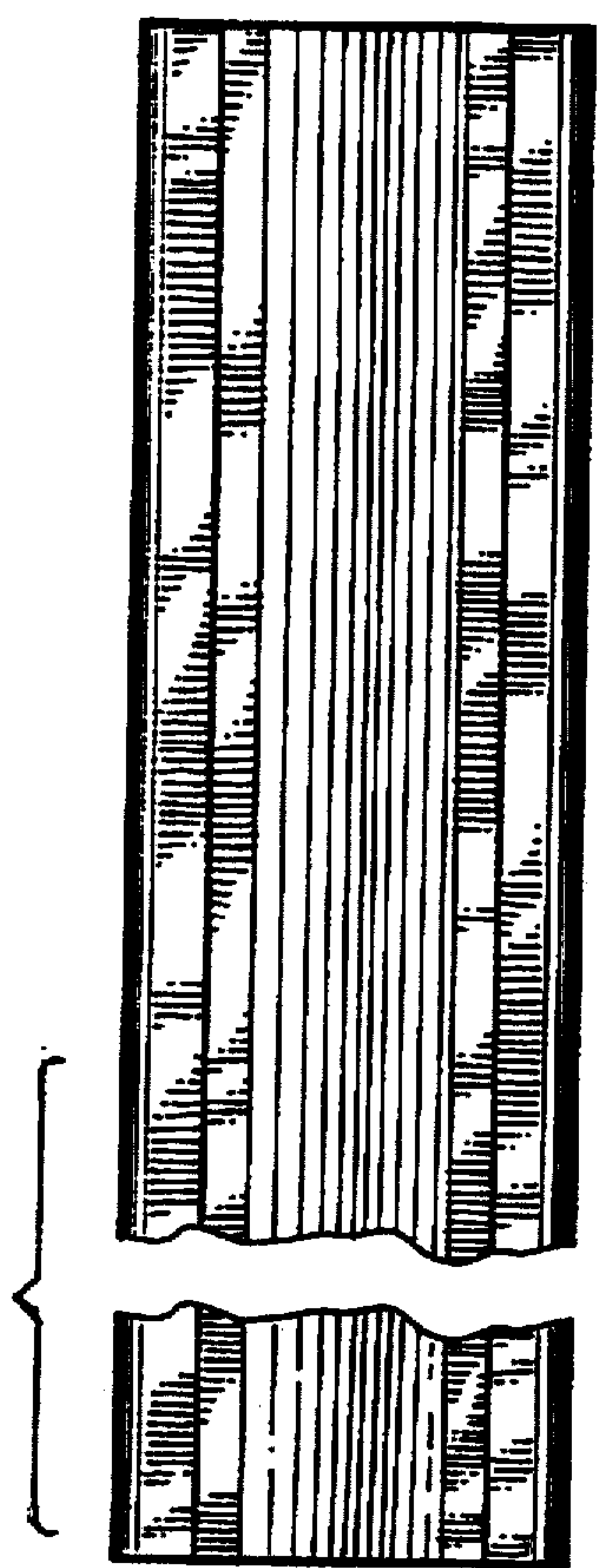


Fig. 2

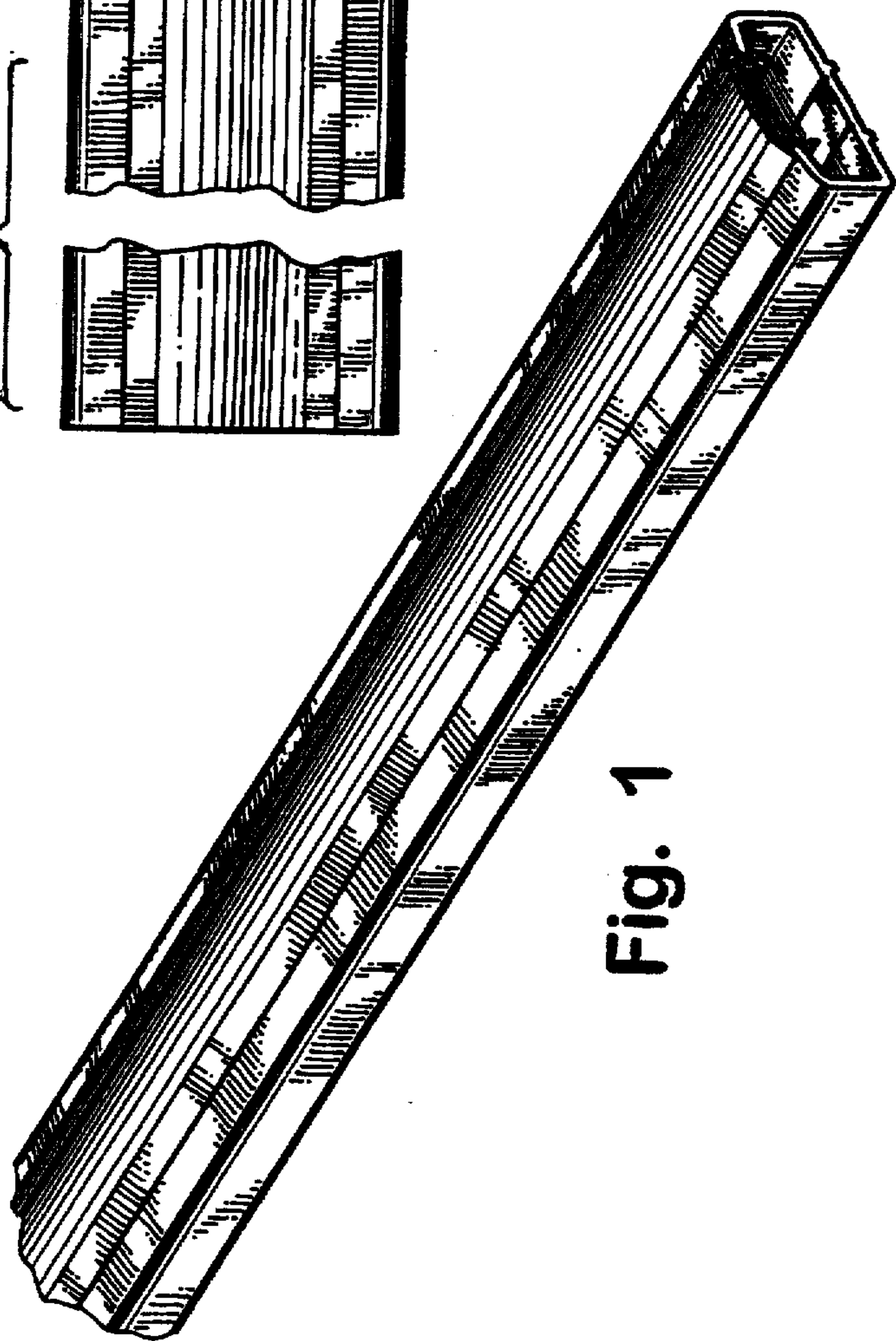


Fig. 1

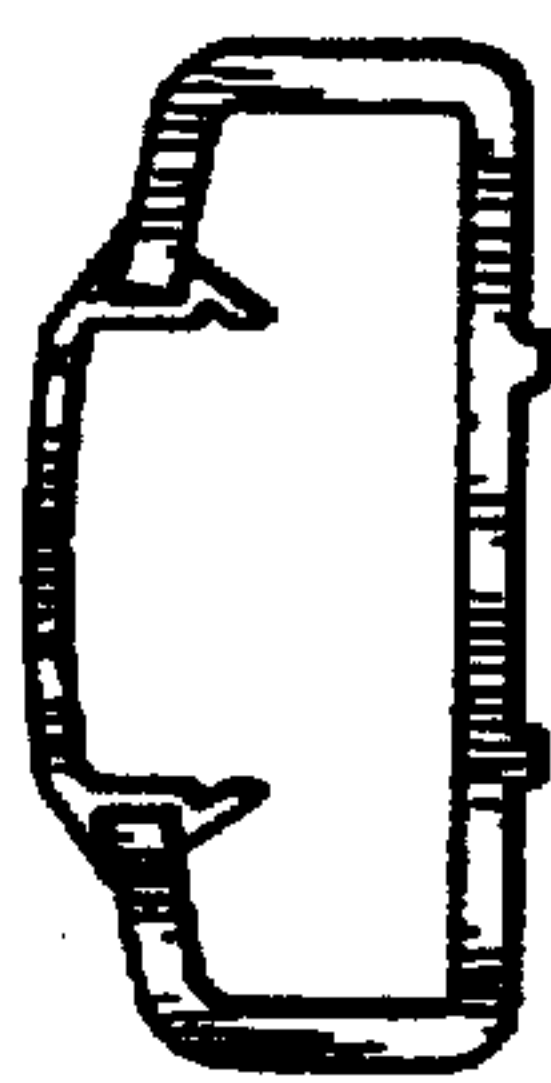


Fig. 4

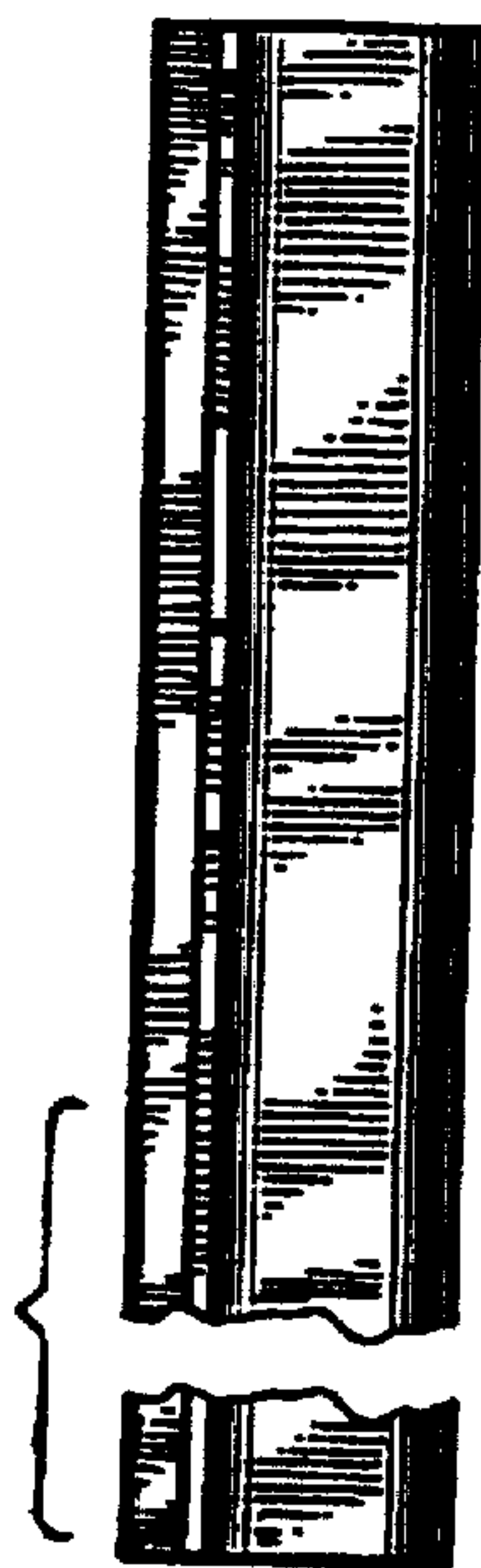


Fig. 3

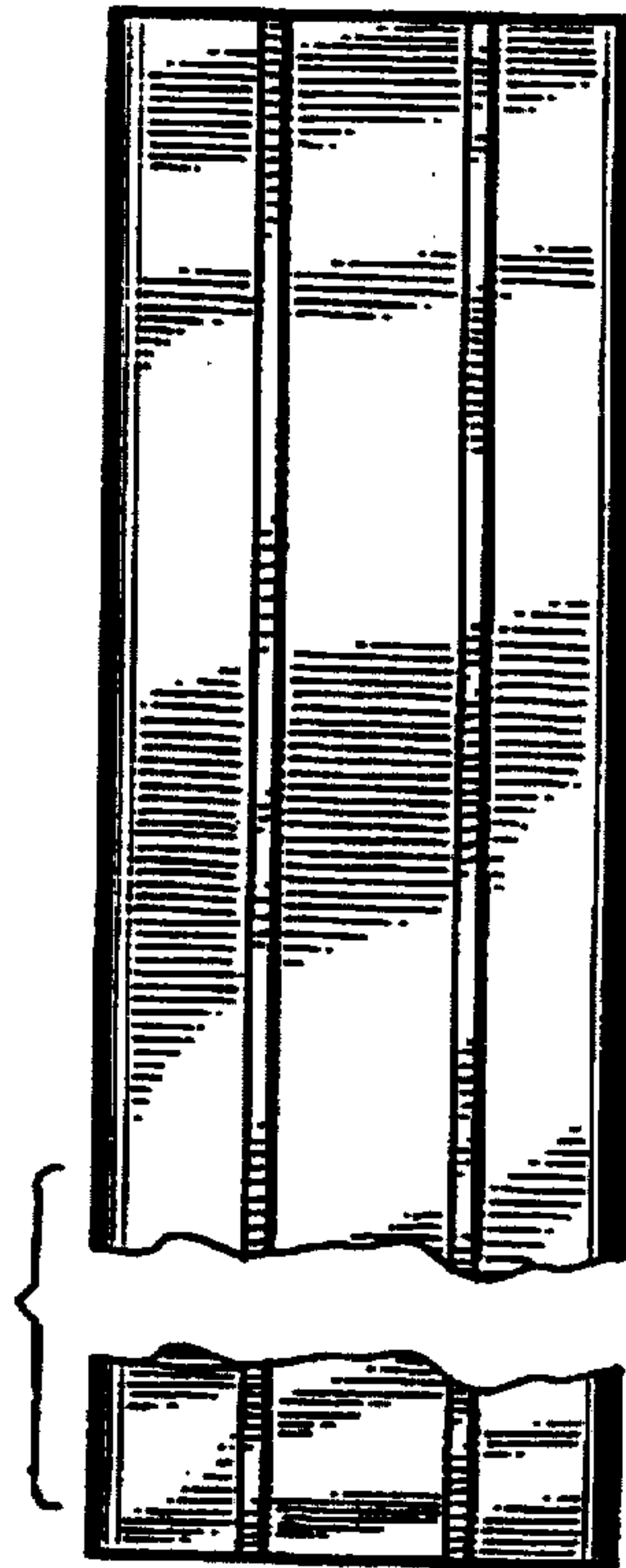


Fig. 5