



US00D408488S

United States Patent [19]

McCormick et al.

[11] Patent Number: Des. 408,488

[45] Date of Patent: **Apr. 20, 1999

[54] BILLIARD TABLE

[75] Inventors: William R. McCormick, Kenosha;
Peter A. Douglas, Elkhorn, both of
Wis.

[73] Assignee: Brunswick Bowling & Billiards
Corporation, Muskegon, Mich.

[**] Term: 14 Years

[21] Appl. No.: 29/087,022

[22] Filed: Apr. 24, 1998

[51] LOC (6) CL 21-02

[52] U.S. Cl. D21/784

[58] Field of Search D21/782, 783,
D21/784; 473/1, 4, 6, 7, 28, 29

[56] References Cited

U.S. PATENT DOCUMENTS

D. 113,972	3/1939	Lawson	D21/784
D. 257,469	10/1980	Moore	D21/784
D. 319,484	8/1991	Hull et al.	D21/784
D. 332,293	1/1993	Powers	D21/784
D. 348,916	7/1994	Powers	D21/784
842,550	1/1907	Houts	473/28
1,628,446	5/1927	Allinger	473/4 X
1,656,416	1/1928	Brinkman	473/4 X
1,776,328	4/1930	Smith	473/28
1,967,217	7/1934	Amsden	473/1 X
3,881,727	5/1975	Olsen	473/4

OTHER PUBLICATIONS

COLECO Cat, The Champ, Oct. 1969.
Playthings, p. 329, Mar. 1960.

Primary Examiner—Prabhakar G. Deshmukh
Attorney, Agent, or Firm—Price, Heneveld, Cooper, DeWitt
and Litton

[57] CLAIM

The ornamental design for billiard table, as shown and
described.

DESCRIPTION

FIG. 1 is a perspective view of a billiard table showing my
new design, the opposite end view being a mirror image
thereof;

FIG. 2 is a side elevational view thereof, the opposite side
being a mirror image of FIG. 2;

FIG. 3 is an end elevational view thereof, the opposite end
being a mirror image of FIG. 3 ;

FIG. 4 is a plan view thereof;

FIG. 5 is a bottom view thereof;

FIG. 6 is a perspective view of a billiard table showing the
second embodiment of my new design;

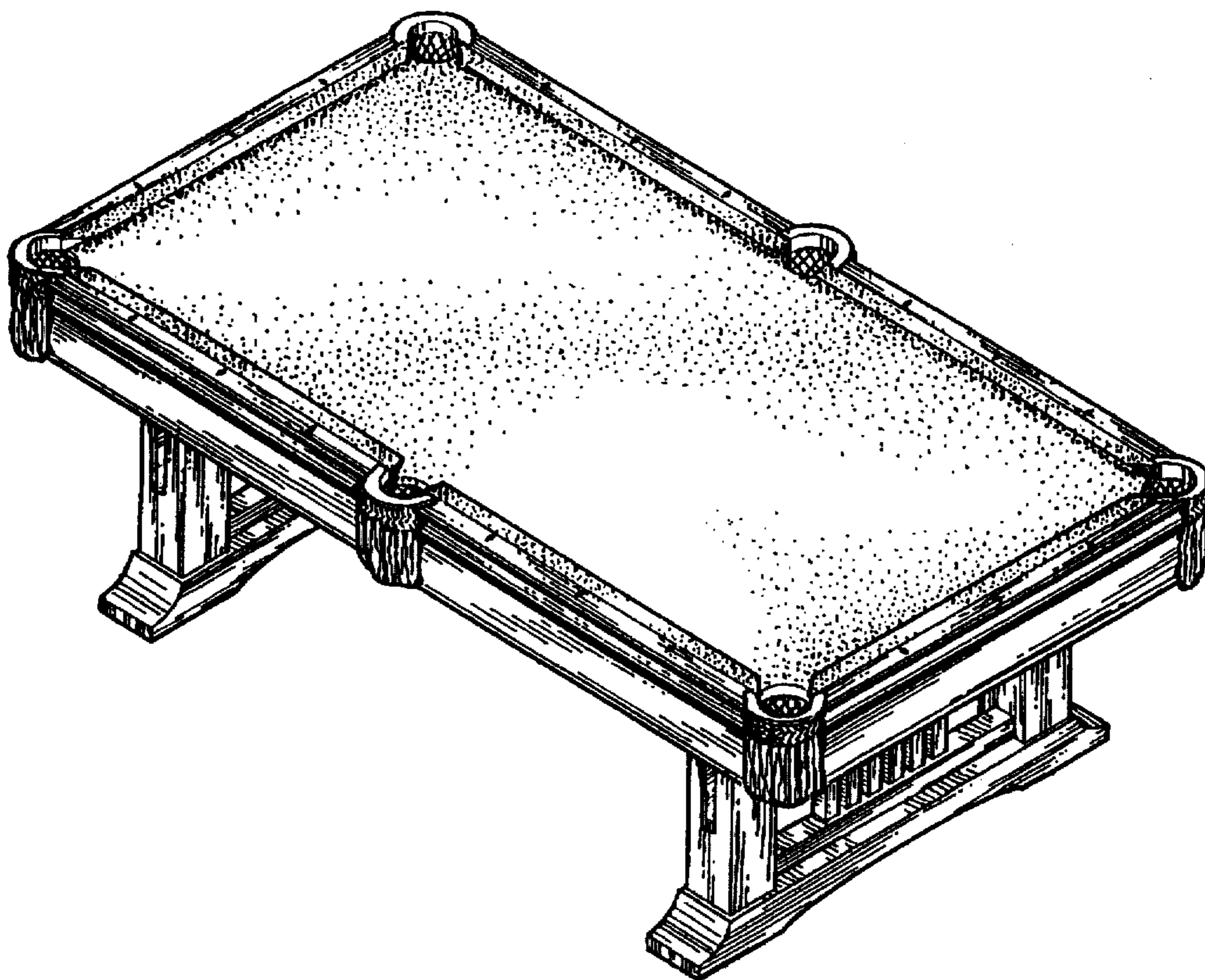
FIG. 7 is a side elevational view of the second embodiment,
the opposite side being a mirror image of FIG. 7;

FIG. 8 is an end elevational view of the second embodiment,
the opposite end being a mirror image of FIG. 8;

FIG. 9 is a plan view of of the second embodiment; and,

FIG. 10 is a bottom view of the second embodiment.

1 Claim, 6 Drawing Sheets



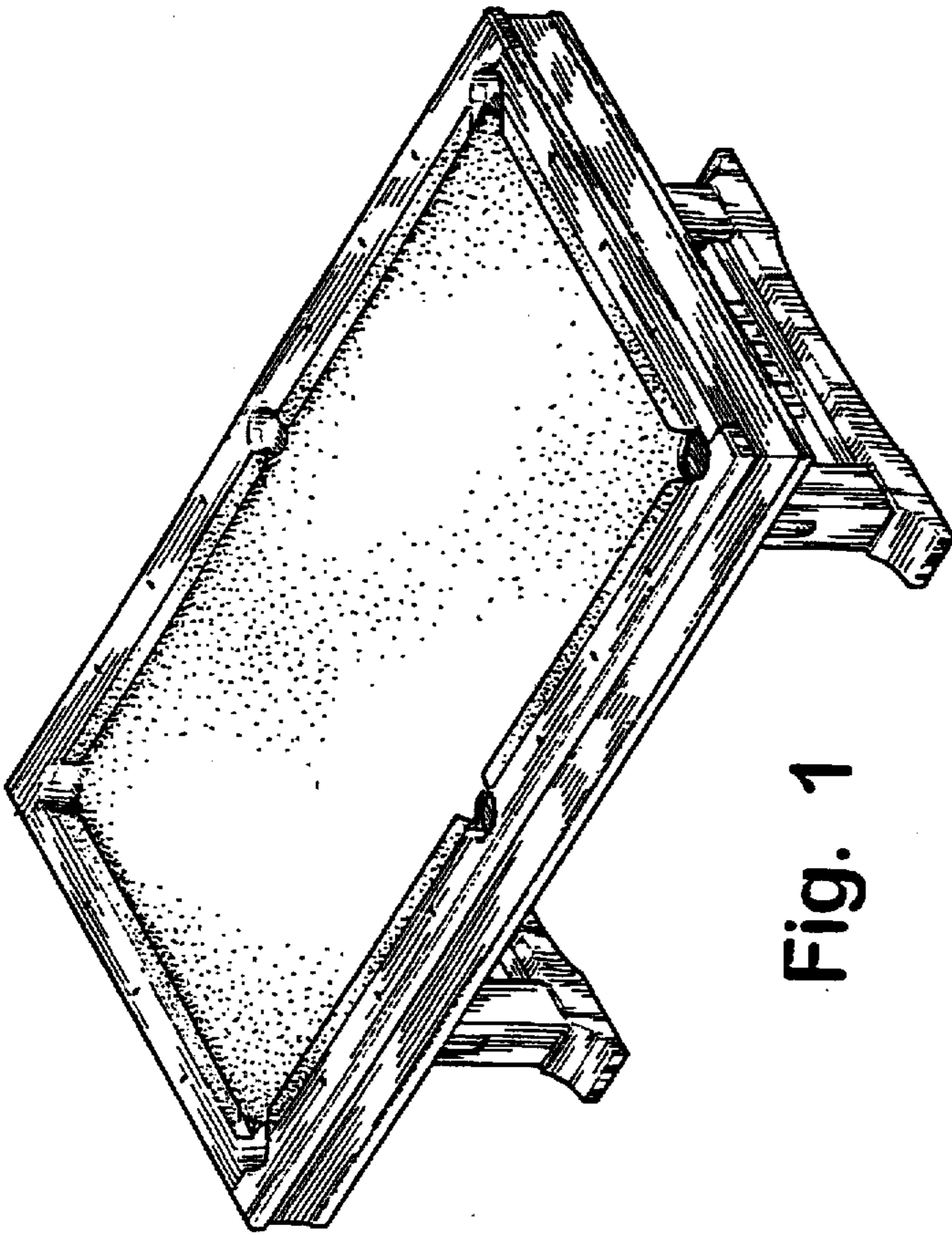


Fig. 1

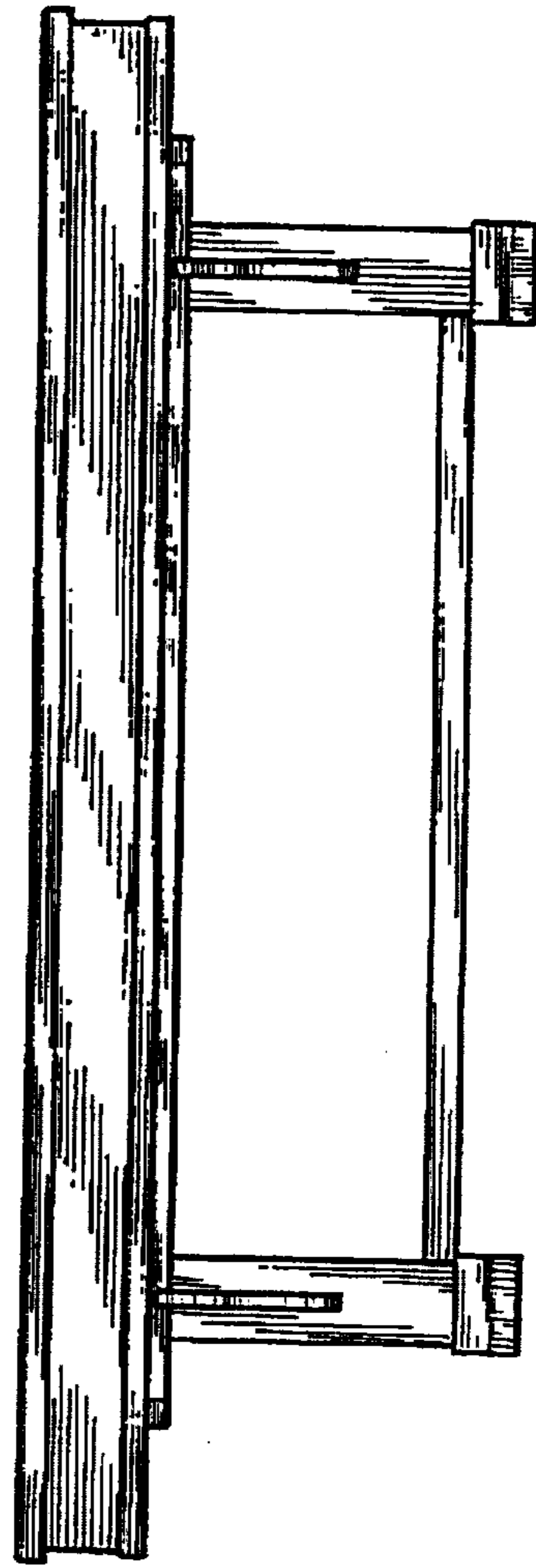


Fig. 2

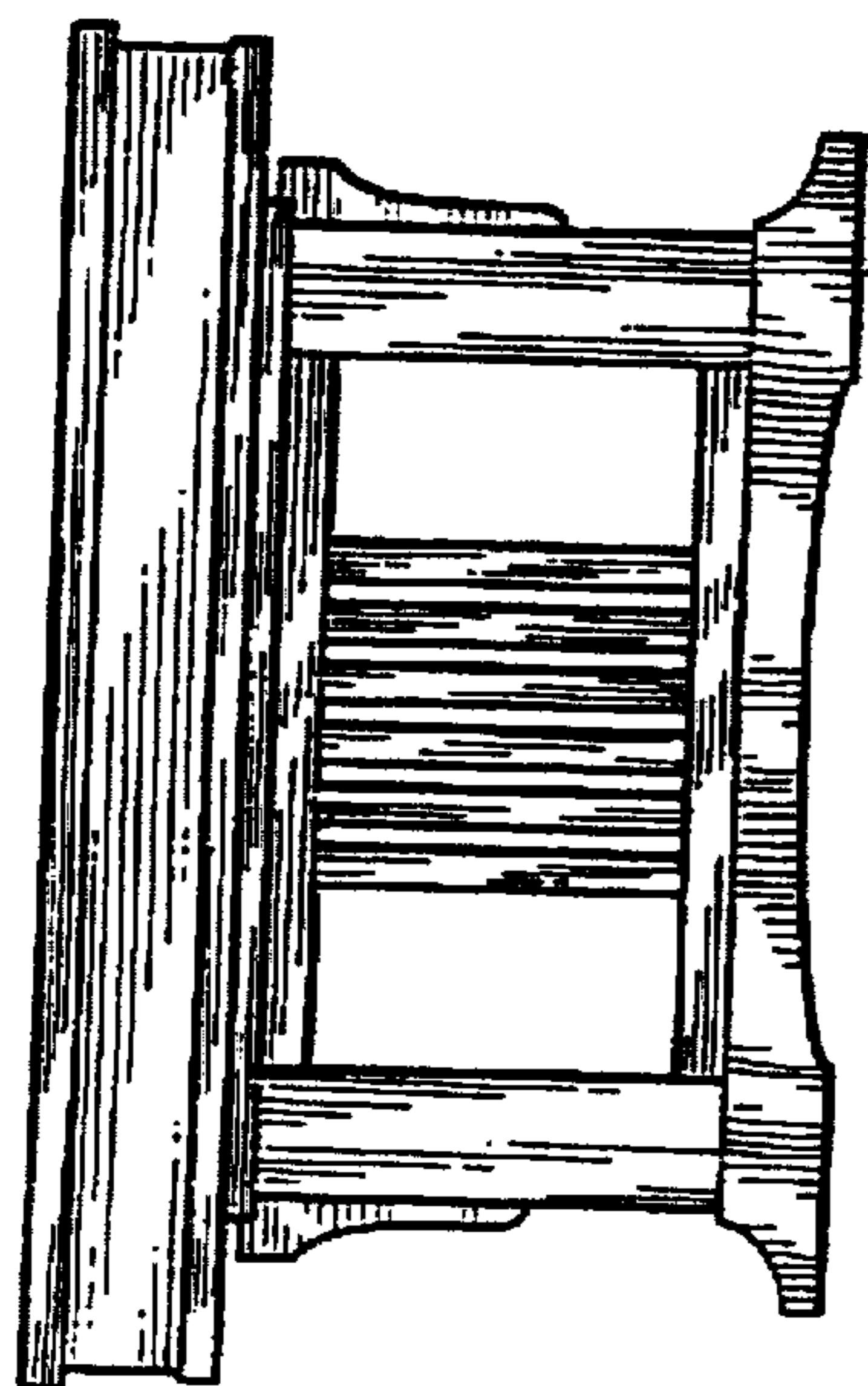


Fig. 3

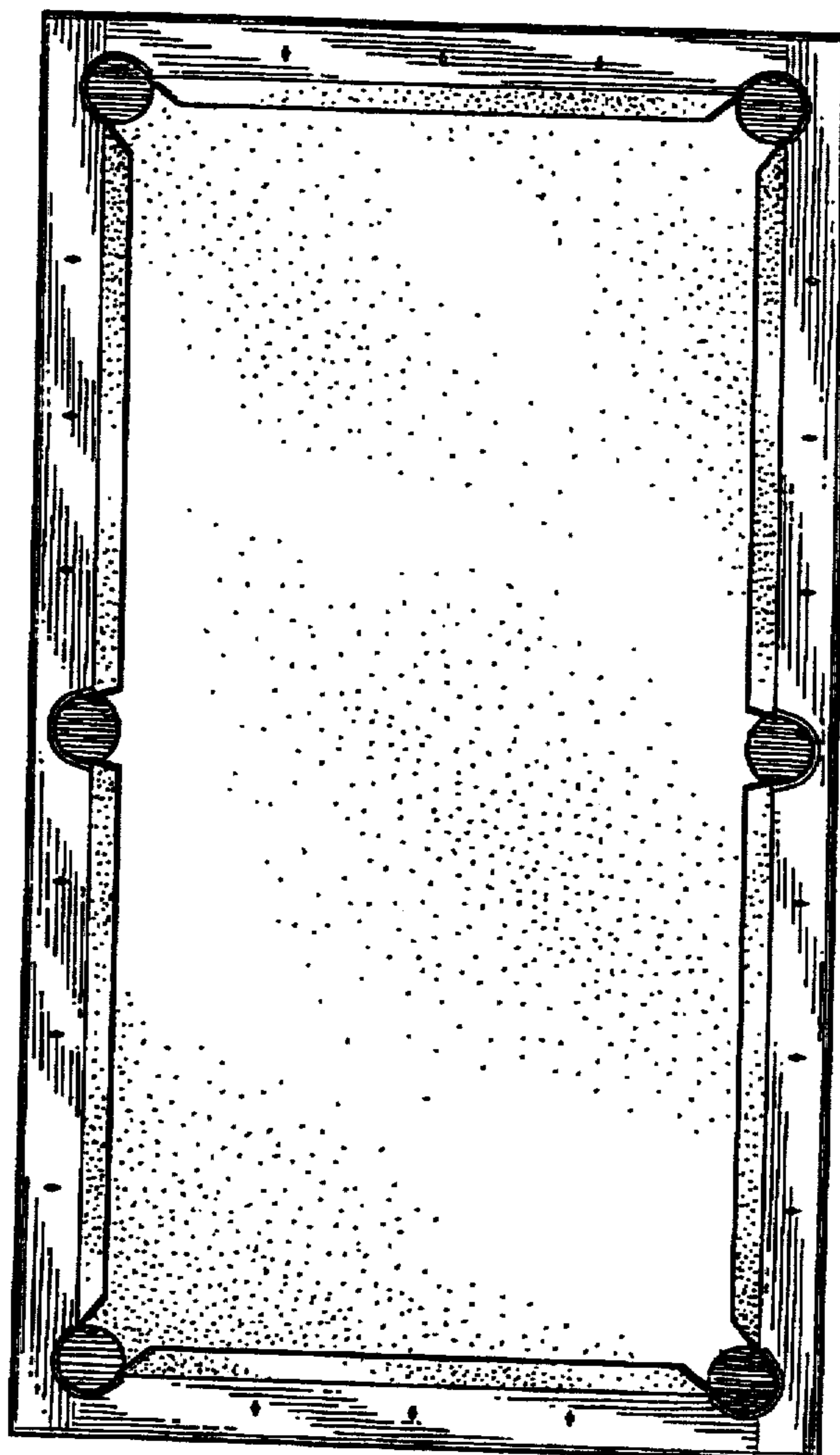


Fig. 4

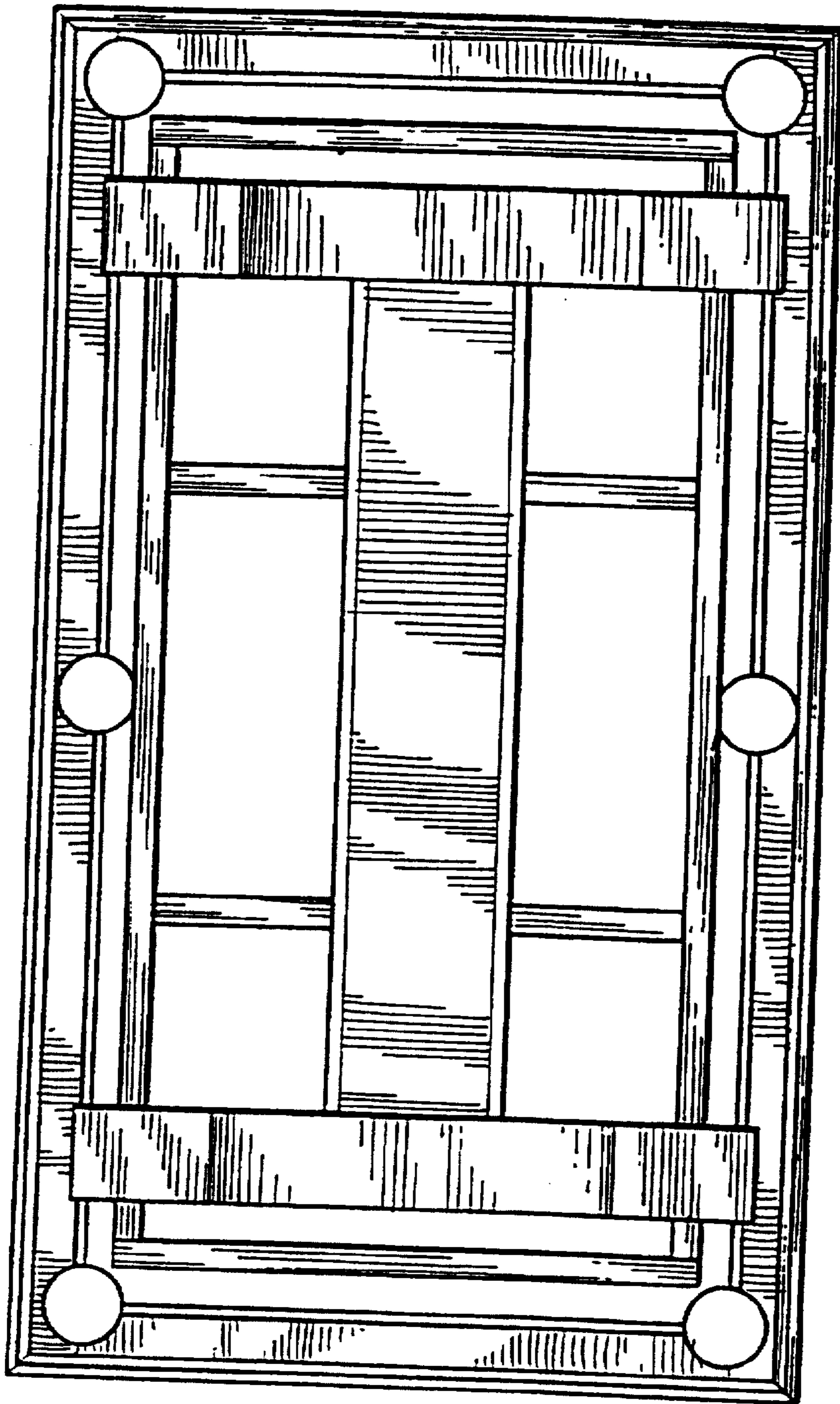


Fig. 5

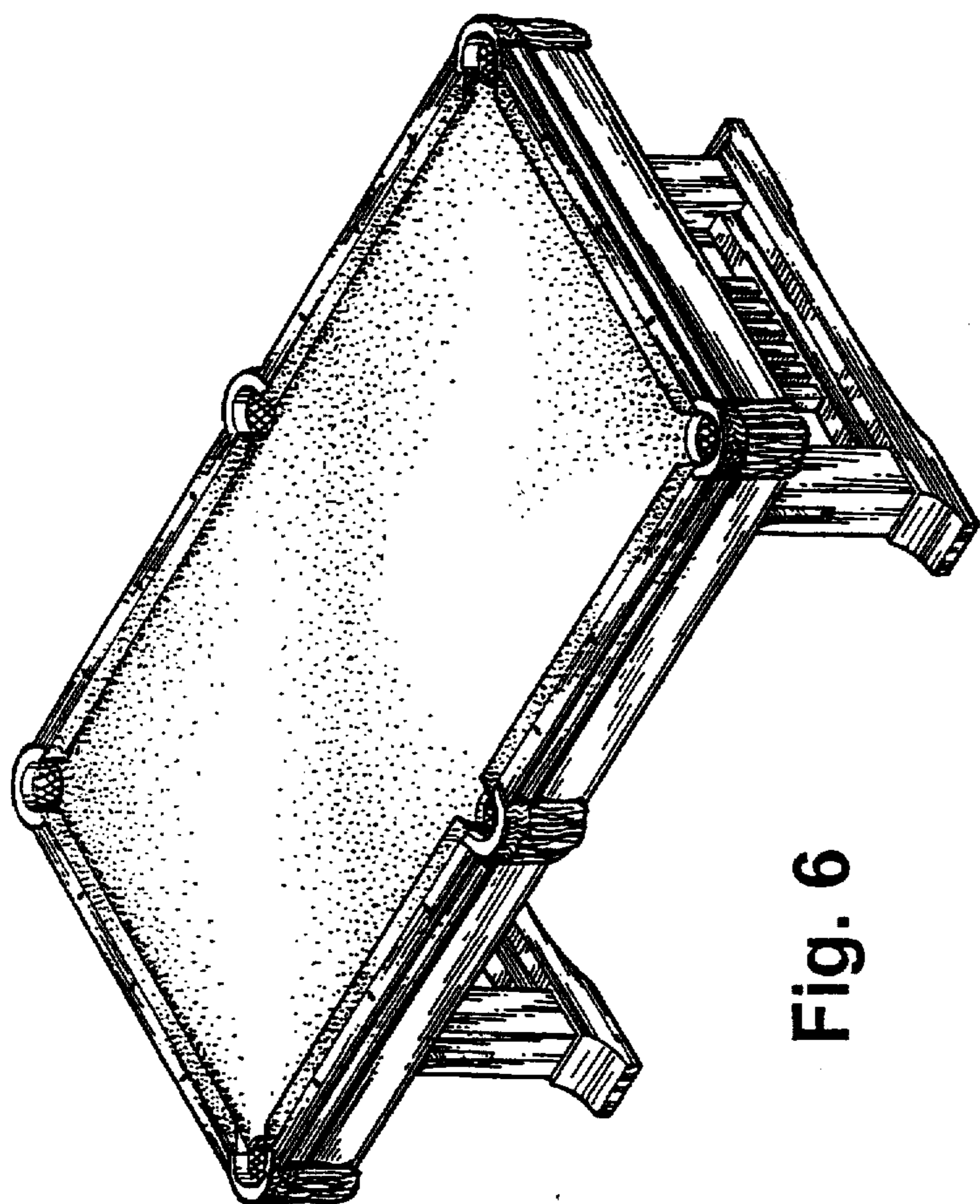


Fig. 6

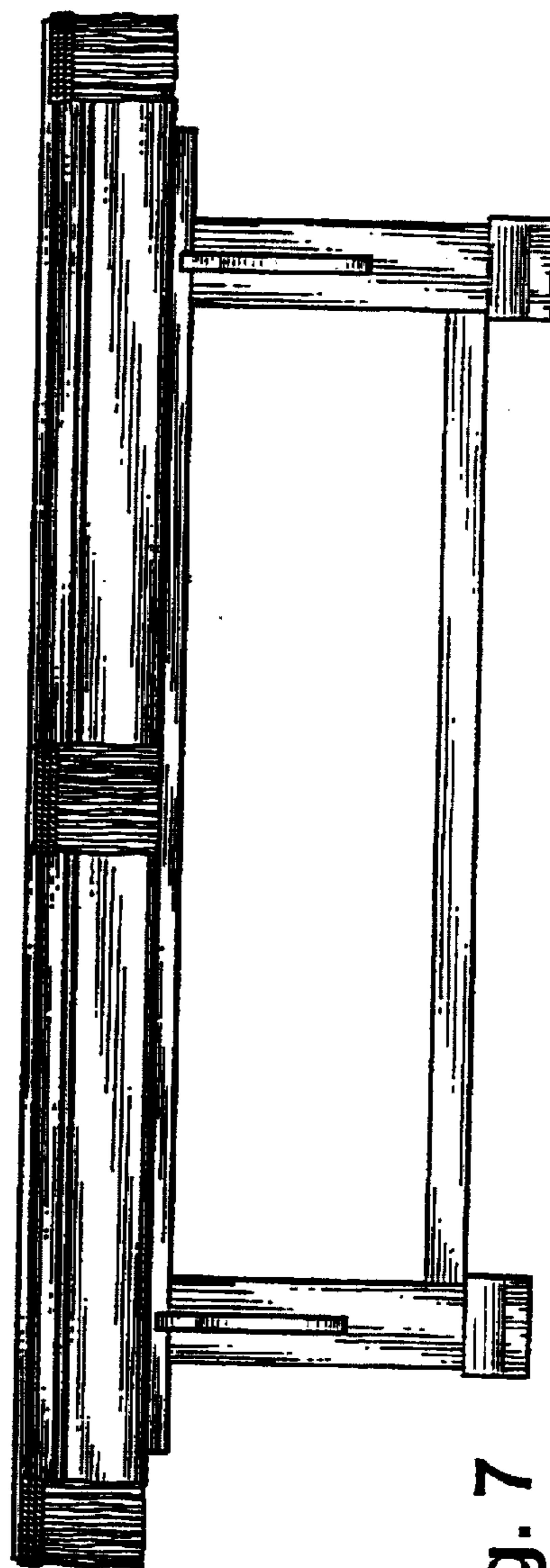


Fig. 7

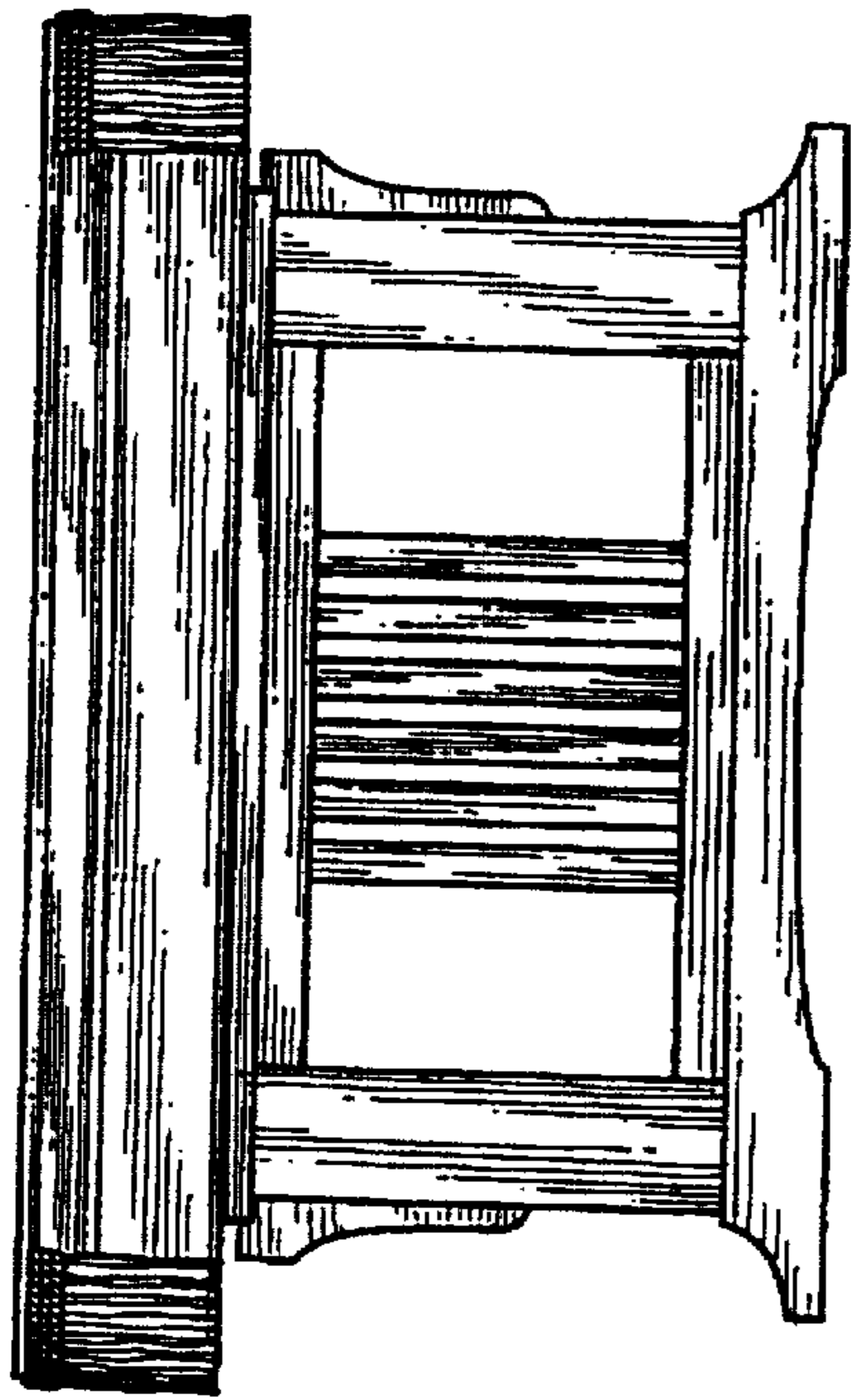


Fig. 8

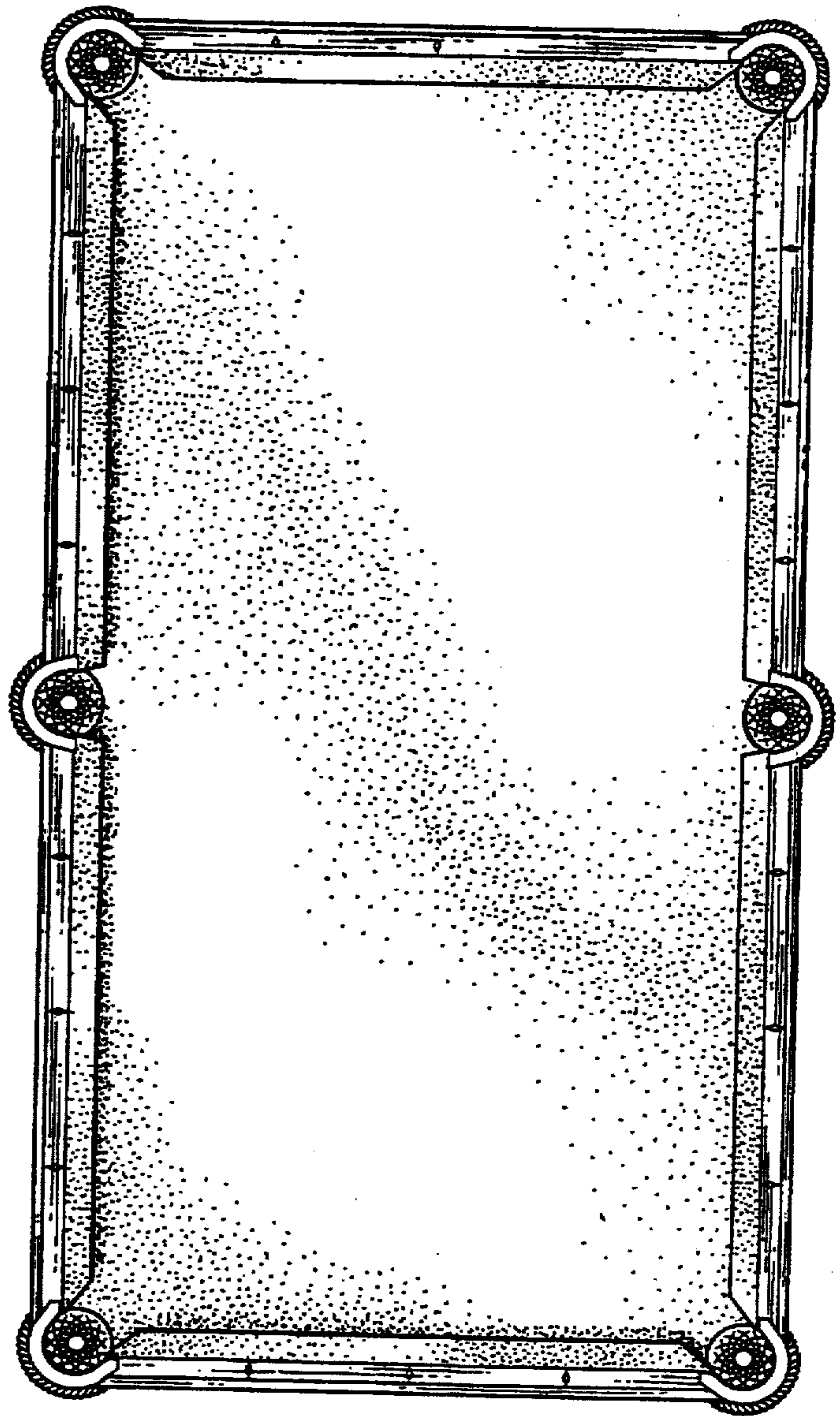


Fig. 9

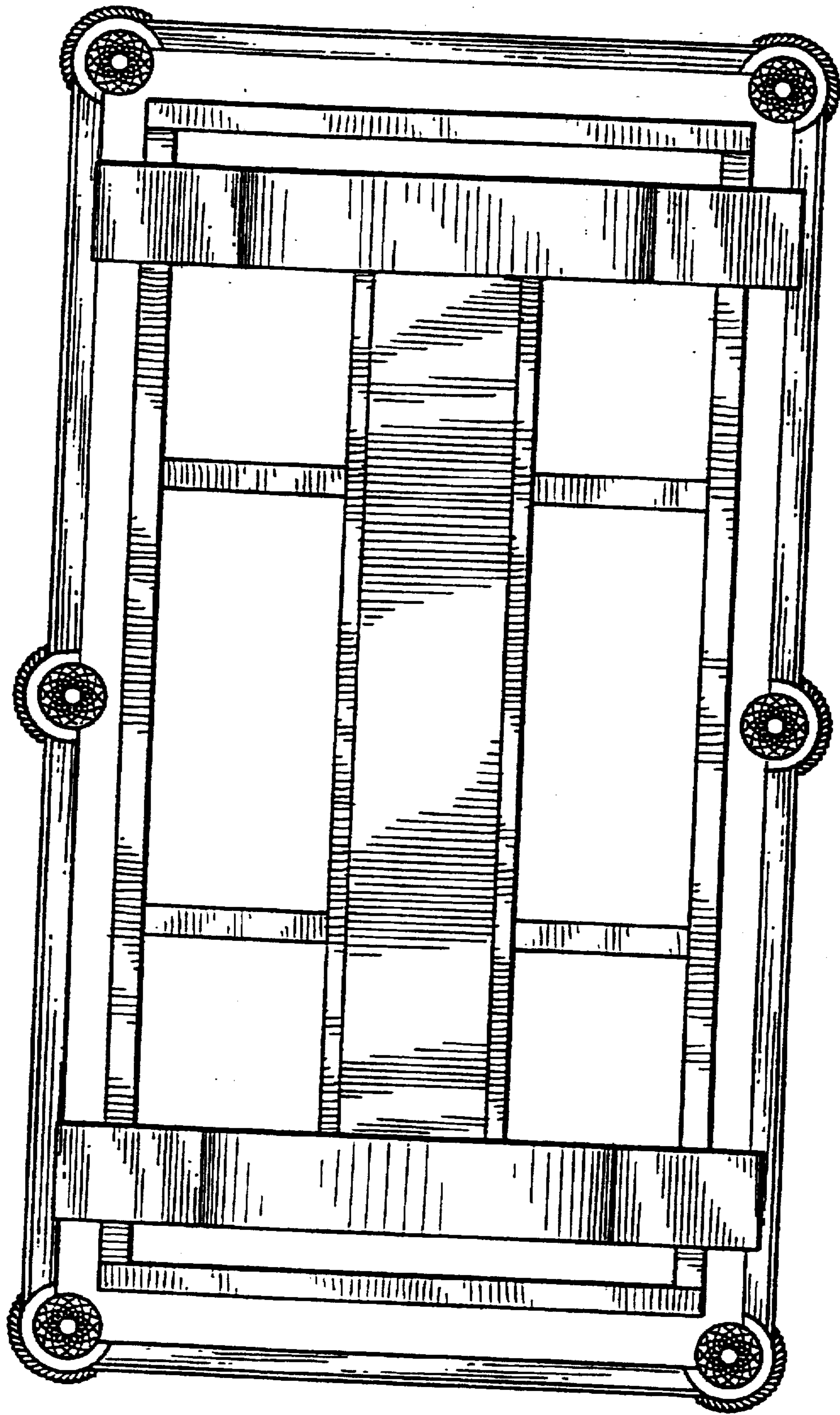


Fig. 10