



US00D408487S

United States Patent [19]

[11] Patent Number: **Des. 408,487**

McCormick et al.

[45] Date of Patent: ****Apr. 20, 1999**

[54] **BILLIARD TABLE**
[75] Inventors: **William R. McCormick, Kenosha;**
Peter A. Douglas, Elkhorn, both of
Wis.

1,656,416 1/1928 Brinkman 473/4 X
1,776,328 9/1930 Smith 473/28
1,967,217 7/1934 Amsden 473/1 X
3,881,727 5/1975 Olsen 473/4

OTHER PUBLICATIONS

[73] Assignee: **Brunswick Bowling & Billiards**
Corporation, Muskegon, Mich.

Coleco Cat, The Champ, Oct. 1969.
Playthings, p. 329, Mar. 1960.

[**] Term: **14 Years**

Primary Examiner—Prabhakar G. Deshmukh
Attorney, Agent, or Firm—Price, Heneveld, Cooper, DeWitt
and Litton

[21] Appl. No.: **29/087,014**

[22] Filed: **Apr. 24, 1998**

[57] CLAIM

[51] LOC (6) CL. **21-02**

[52] U.S. Cl. **D21/784**

[58] Field of Search **D21/782, 783,**
D21/784; 473/1, 4, 28, 6, 7, 29

The ornamental design for billiard table, as shown and described.

DESCRIPTION

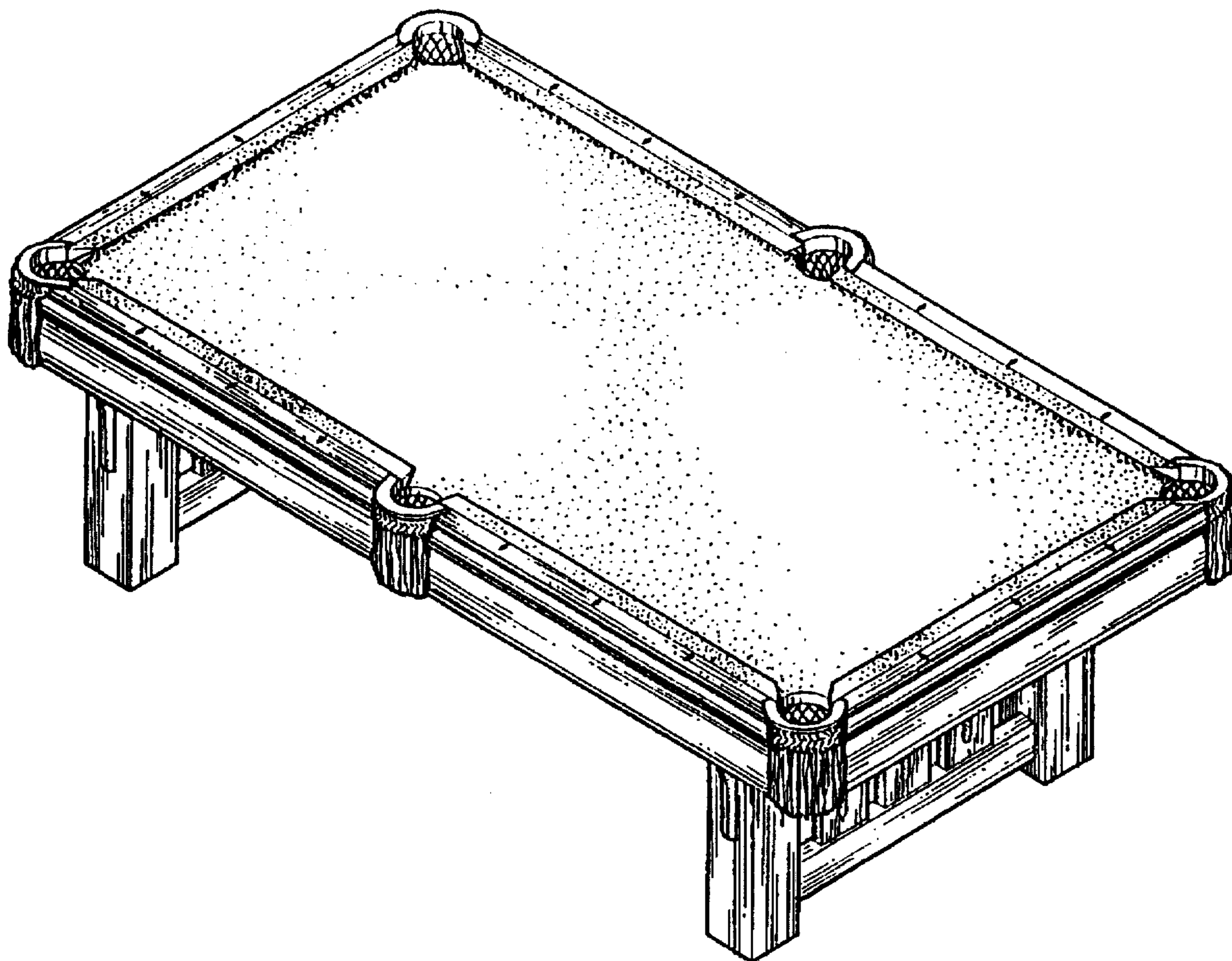
[56] References Cited

U.S. PATENT DOCUMENTS

D. 113,972 3/1939 Lawson D21/784
D. 257,469 10/1980 Moore D21/784
D. 319,484 8/1991 Hull et al. D21/784
D. 332,293 1/1993 Powers D21/784
D. 348,916 7/1994 Powers D21/784
842,550 1/1907 Houts 473/28
1,628,446 5/1927 Allinger 473/4 X

FIG. 1 is a perspective view of a billiard table showing my new design;
FIG. 2 is a side elevational view thereof, the opposite side being a mirror image of FIG. 2;
FIG. 3 is an end elevational view thereof, the opposite end being a mirror image of FIG. 3;
FIG. 4 is a plan view thereof; and,
FIG. 5 is a bottom view thereof.

1 Claim, 3 Drawing Sheets



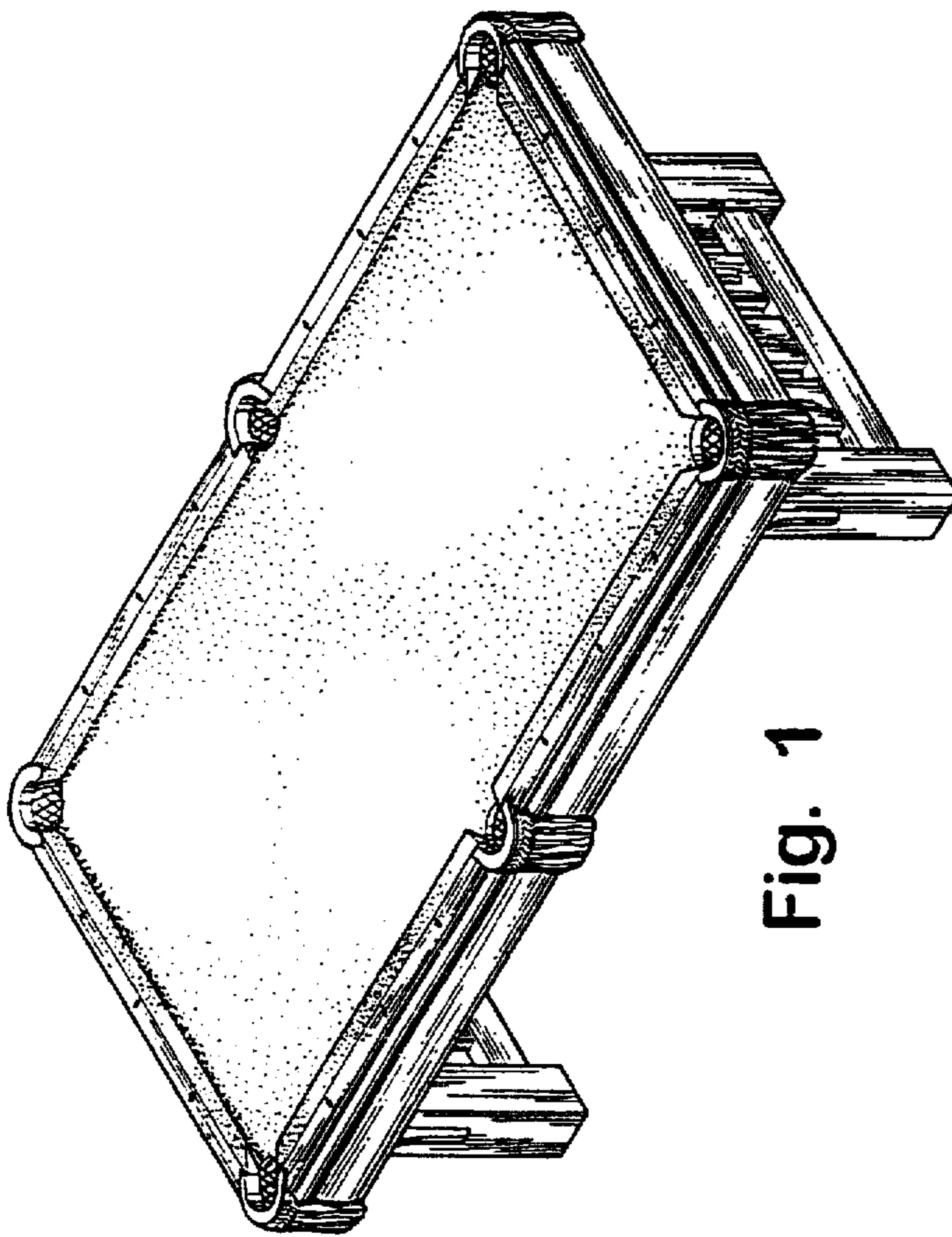


Fig. 1



Fig. 2

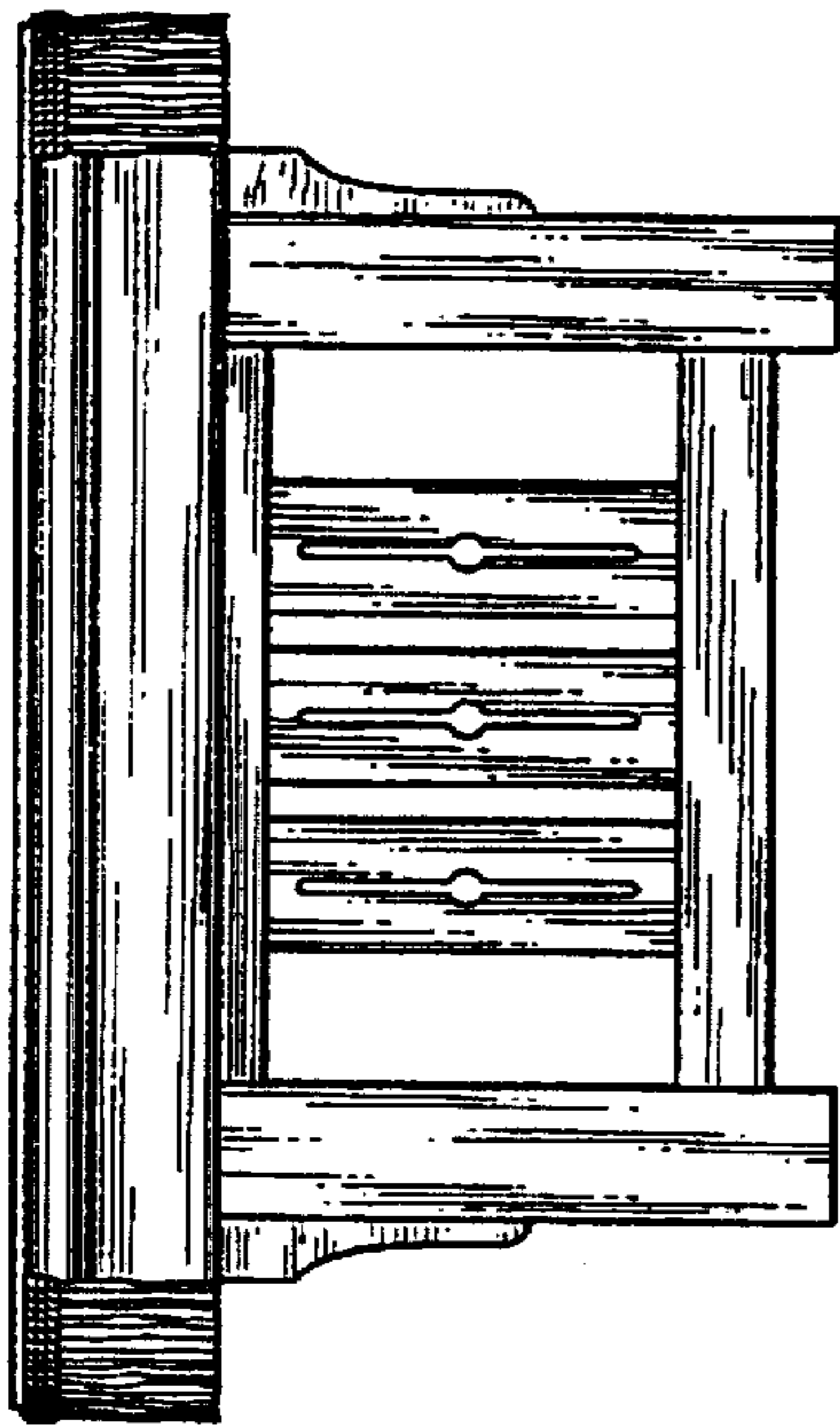


Fig. 3

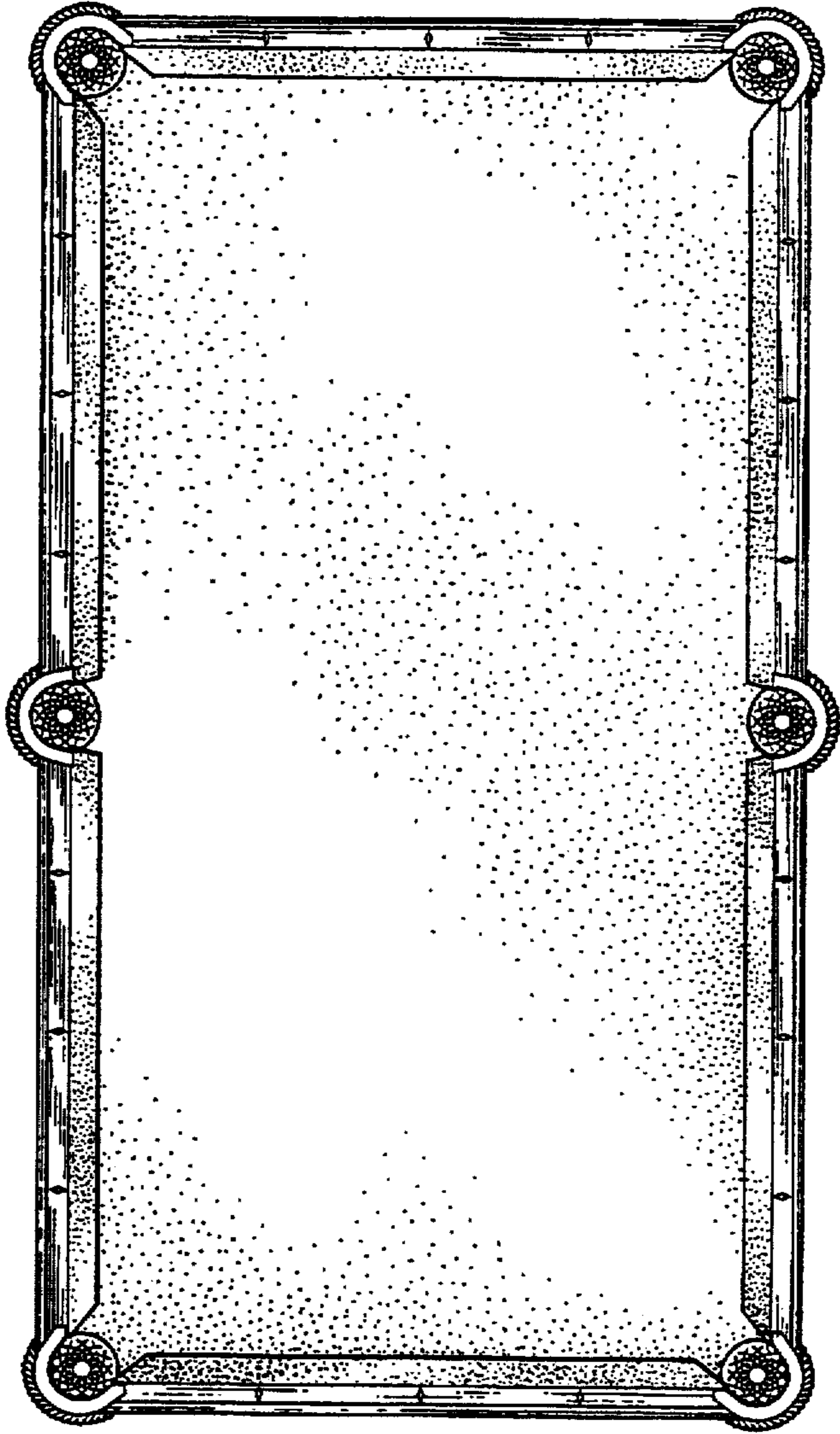


Fig. 4

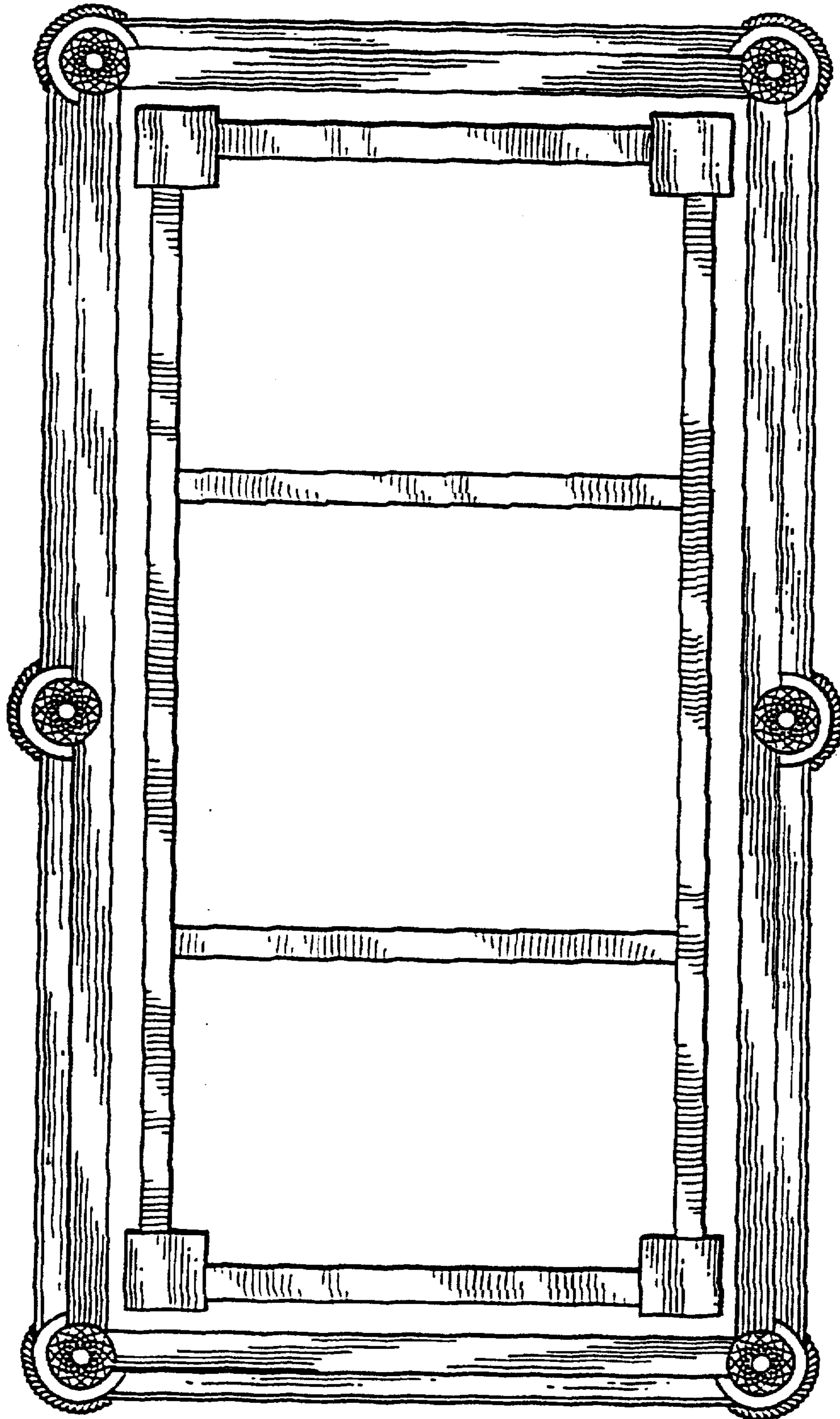


Fig. 5