



US00D408480S

United States Patent [19]
Haugo

[11] **Patent Number:** **Des. 408,480**
[45] **Date of Patent:** ****Apr. 20, 1999**

[54] **WEIGHT RACK**
[76] **Inventor:** **Jonathan Haugo**, 939 N. 101st #201,
Seattle, Wash. 98133
[**] **Term:** **14 Years**
[21] **Appl. No.:** **29/086,972**
[22] **Filed:** **Apr. 23, 1998**
[51] **LOC (6) CL.** **21-02**
[52] **U.S. Cl.** **D21/691**
[58] **Field of Search** **D21/662, 686,**
D21/691, 675; 482/482, 99, 104, 92, 93,
94

4,998,723 3/1991 Santoro 482/104
5,306,220 4/1994 Kearney 482/94

Primary Examiner—Philip S. Hyder

[57] **CLAIM**

The ornamental design for a weight rack, as shown.

DESCRIPTION

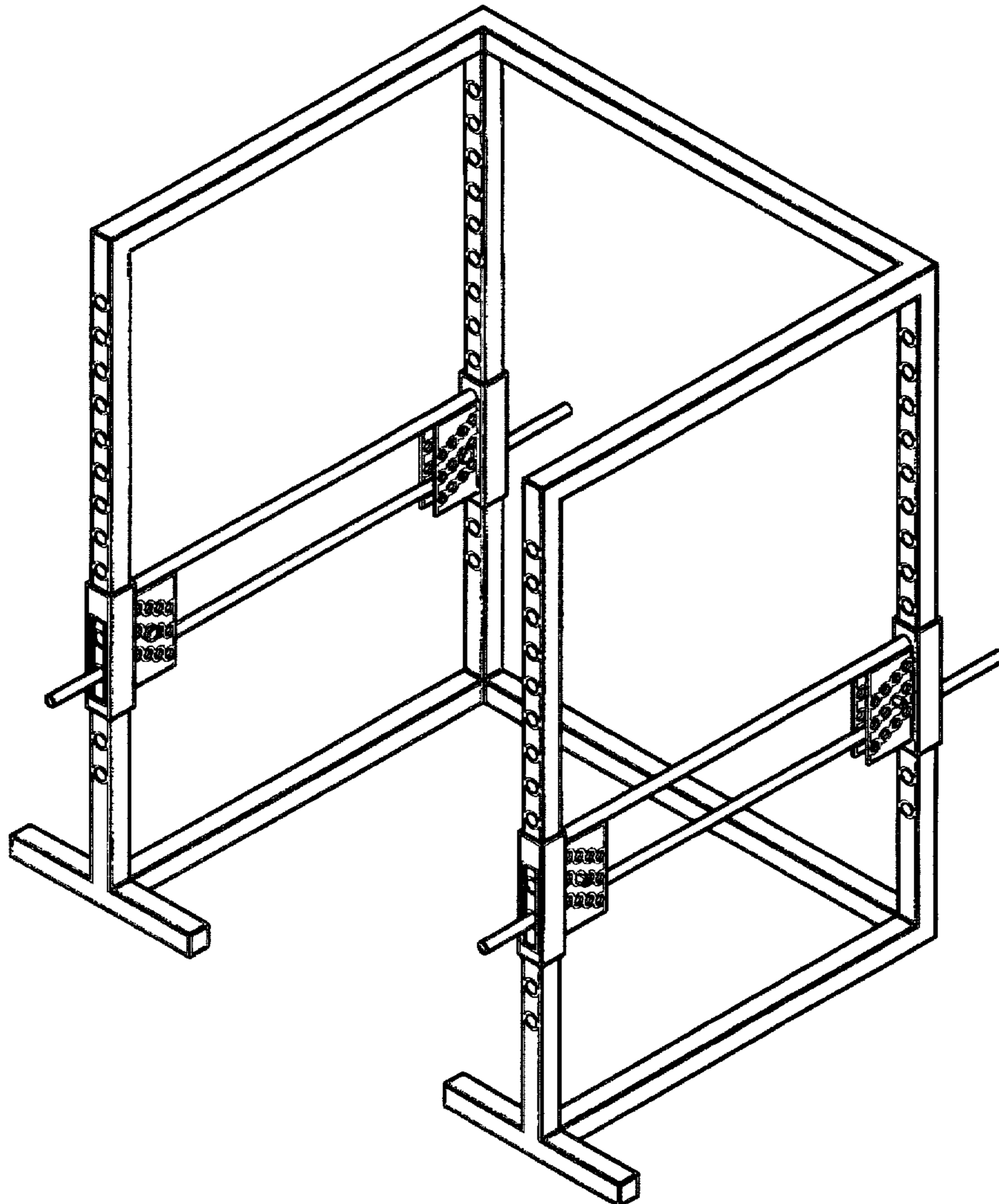
FIG. 1 is a front elevational view of the weight rack of the present invention;
FIG. 2 is a back elevational view of the weight rack of FIG. 1;
FIG. 3 is a left side elevational view of the weight rack of FIG. 1;
FIG. 4 is a right side elevational view of the weight rack of FIG. 1;
FIG. 5 is a top plan view of the weight rack of FIG. 1;
FIG. 6 is a bottom plan view of the weight rack of FIG. 1;
and,
FIG. 7 is a top, front, right side perspective view of the weight rack of FIG. 1.

[56] **References Cited**

U.S. PATENT DOCUMENTS

D. 265,111 6/1982 Lynn D21/675
D. 306,467 3/1990 Smith D21/691
D. 358,623 5/1995 Macasieb D21/691
4,907,798 3/1990 Burchatz 482/104
4,955,604 9/1990 Pogue 482/99

1 Claim, 4 Drawing Sheets



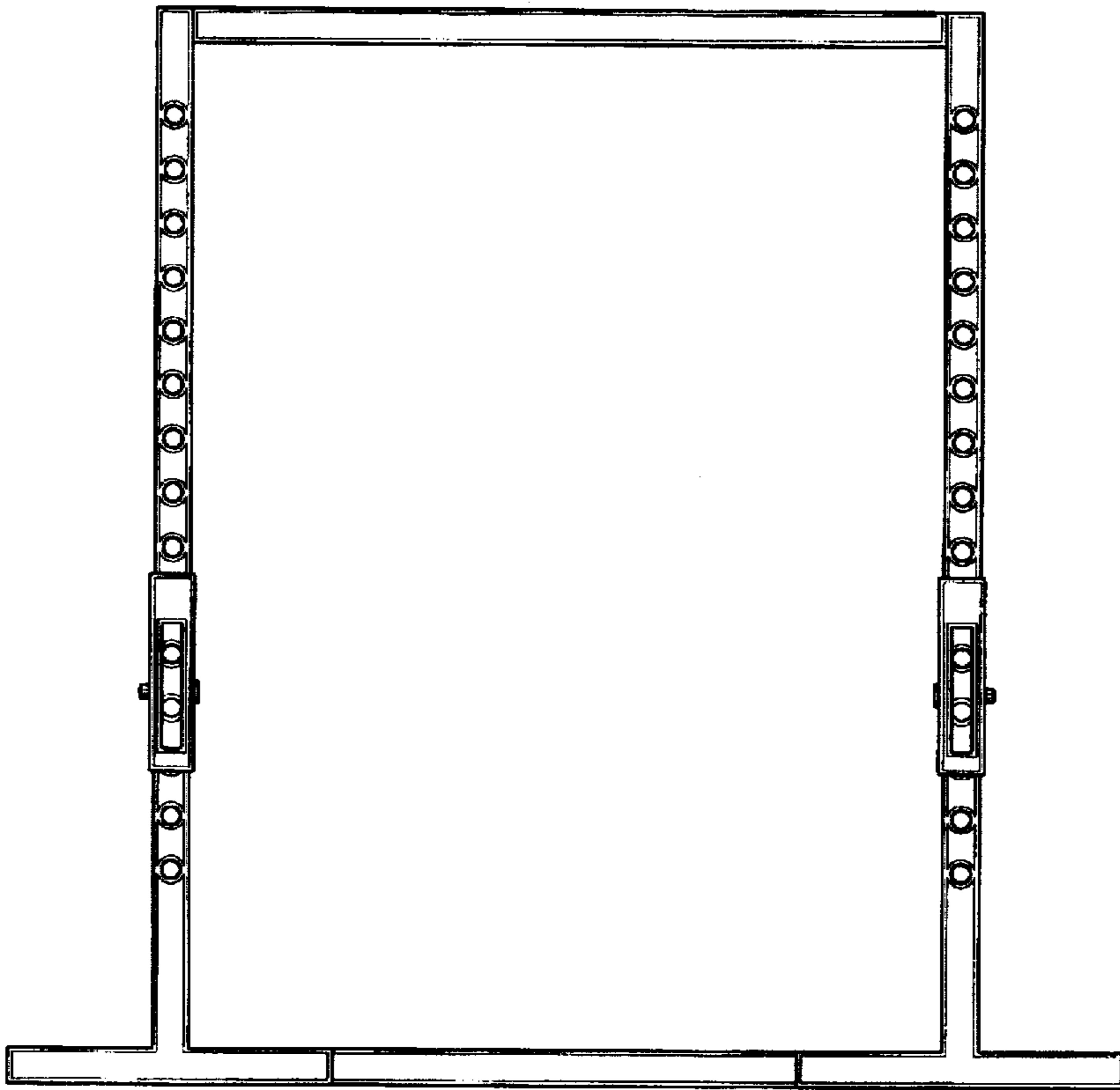


Fig. 1

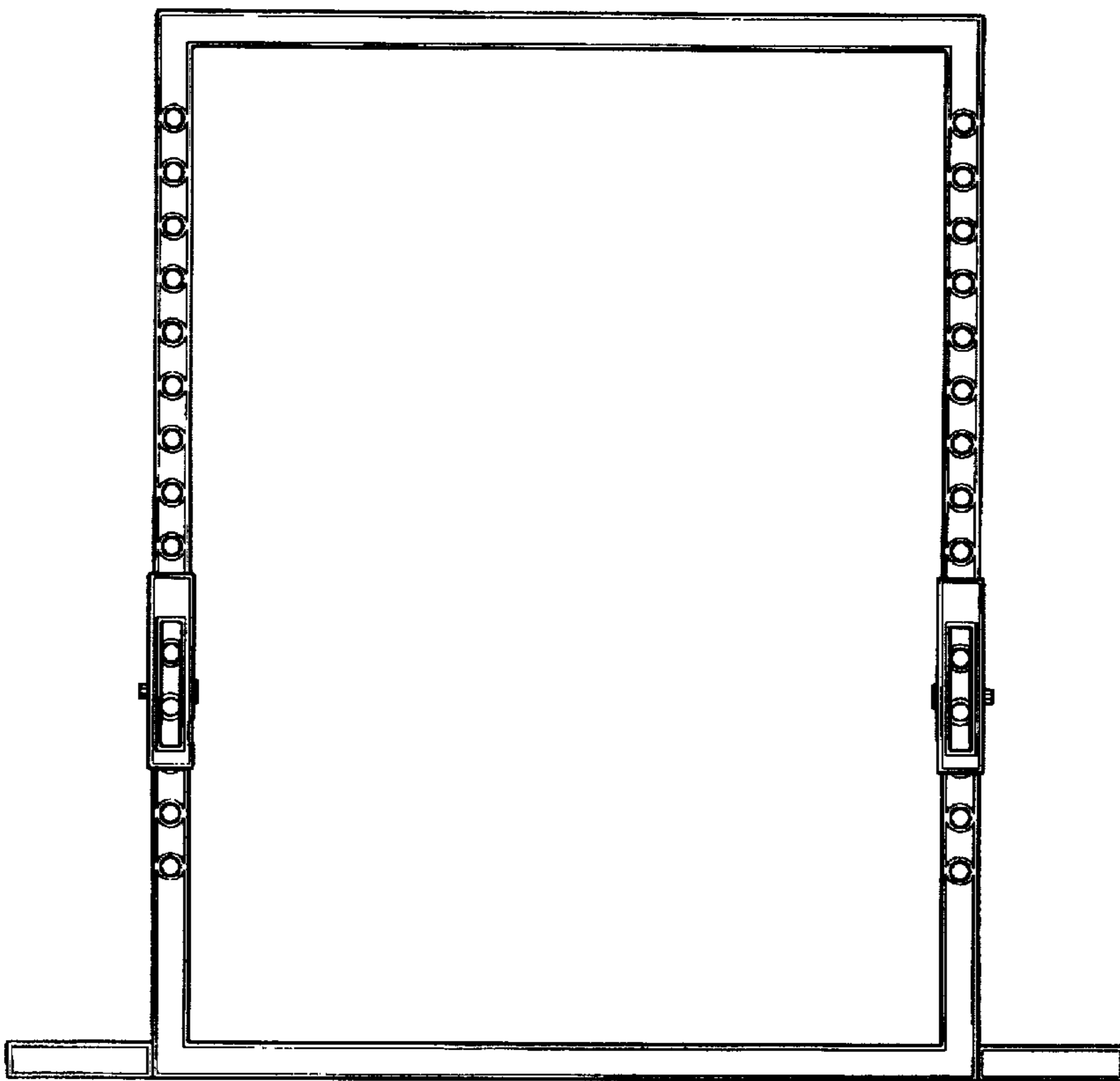


Fig. 2

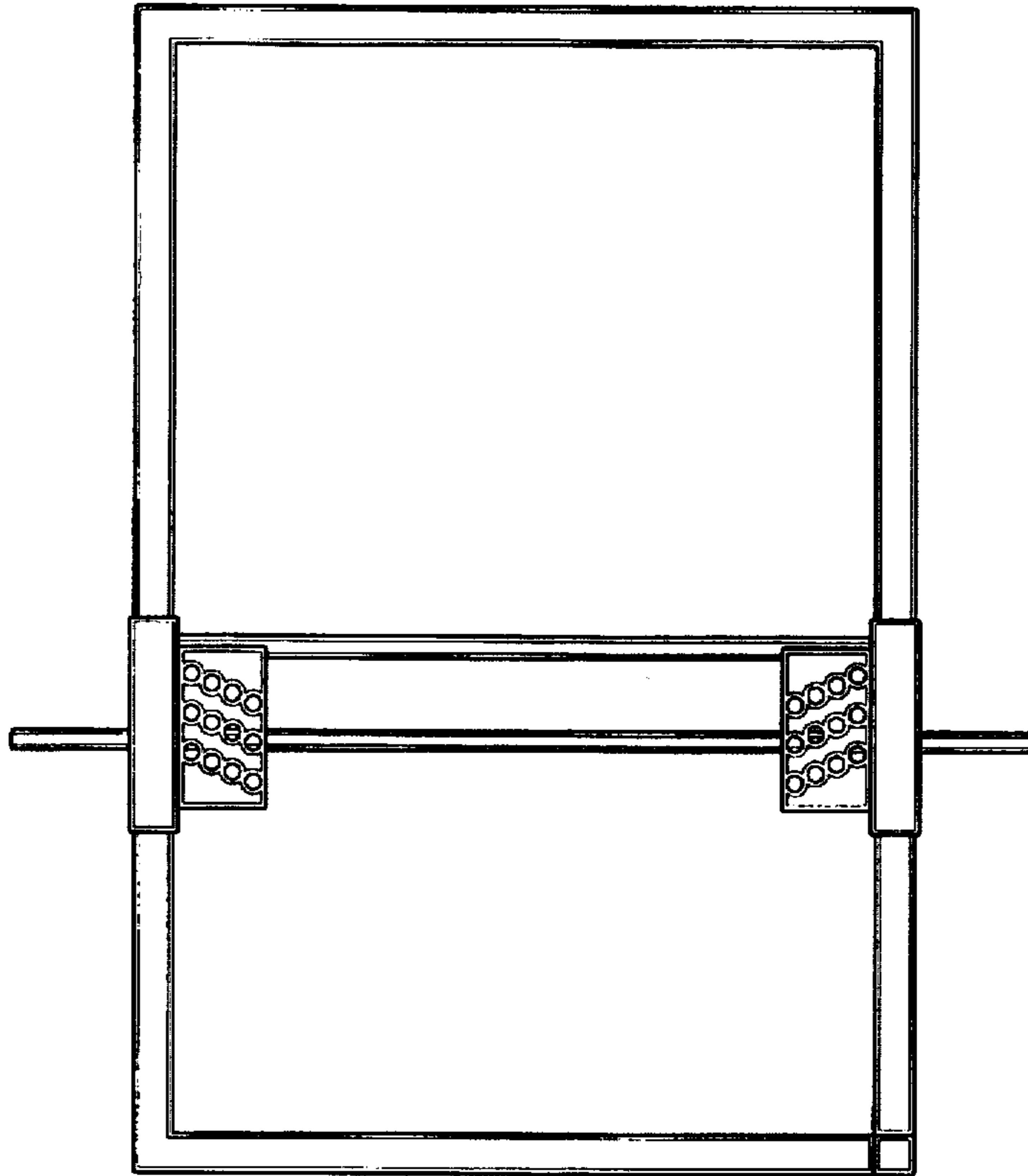


Fig. 3

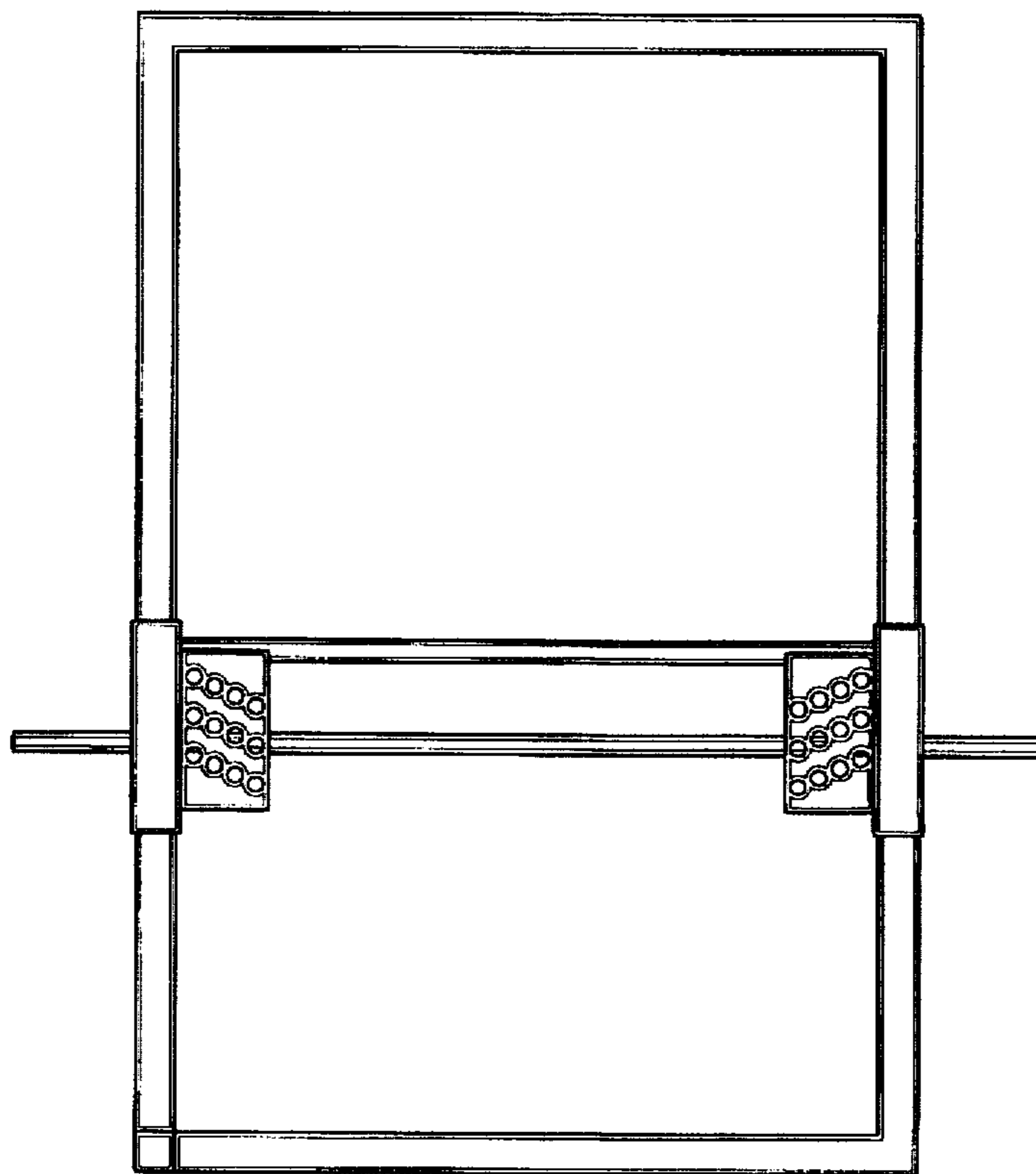


Fig. 4

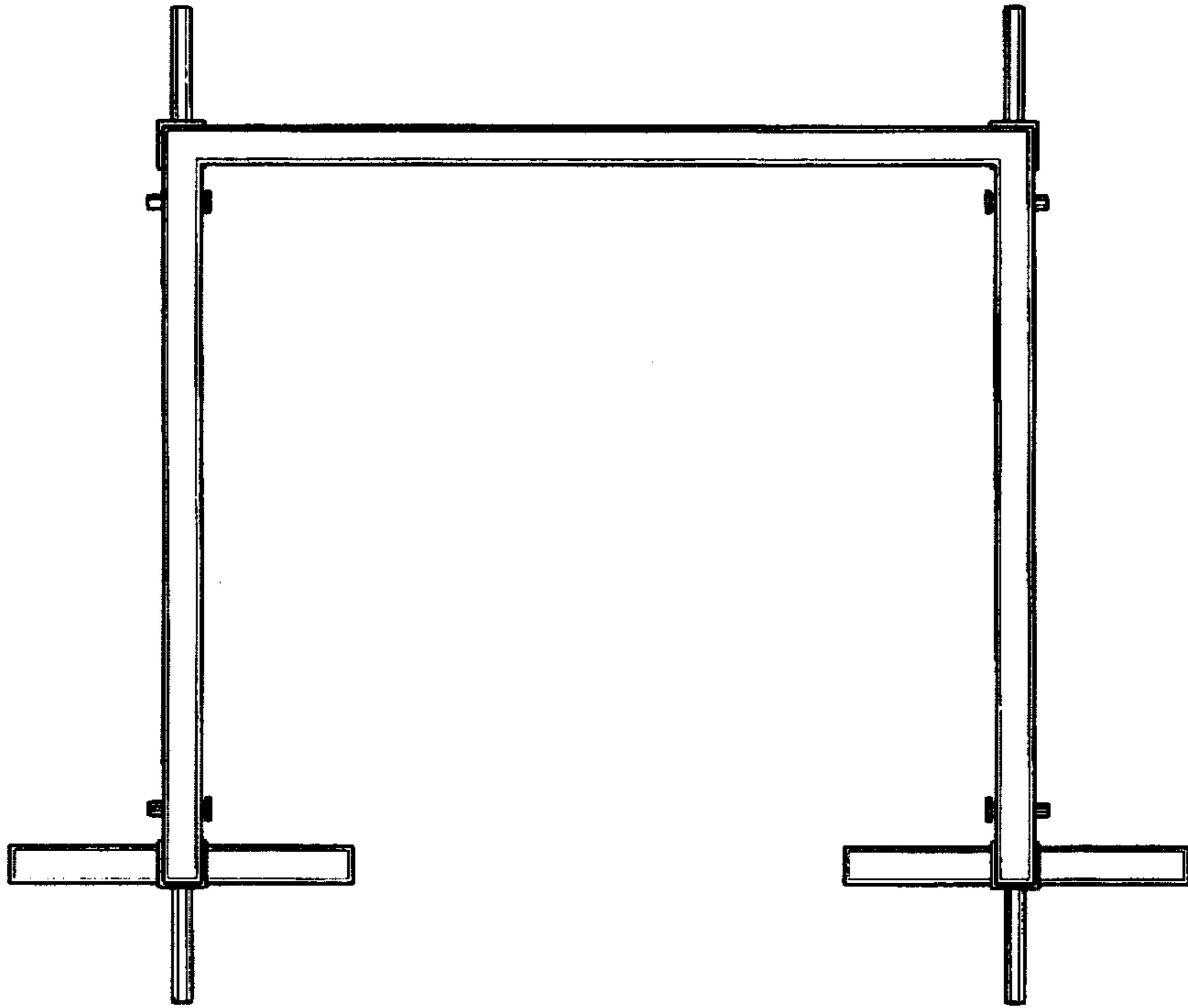


Fig. 5

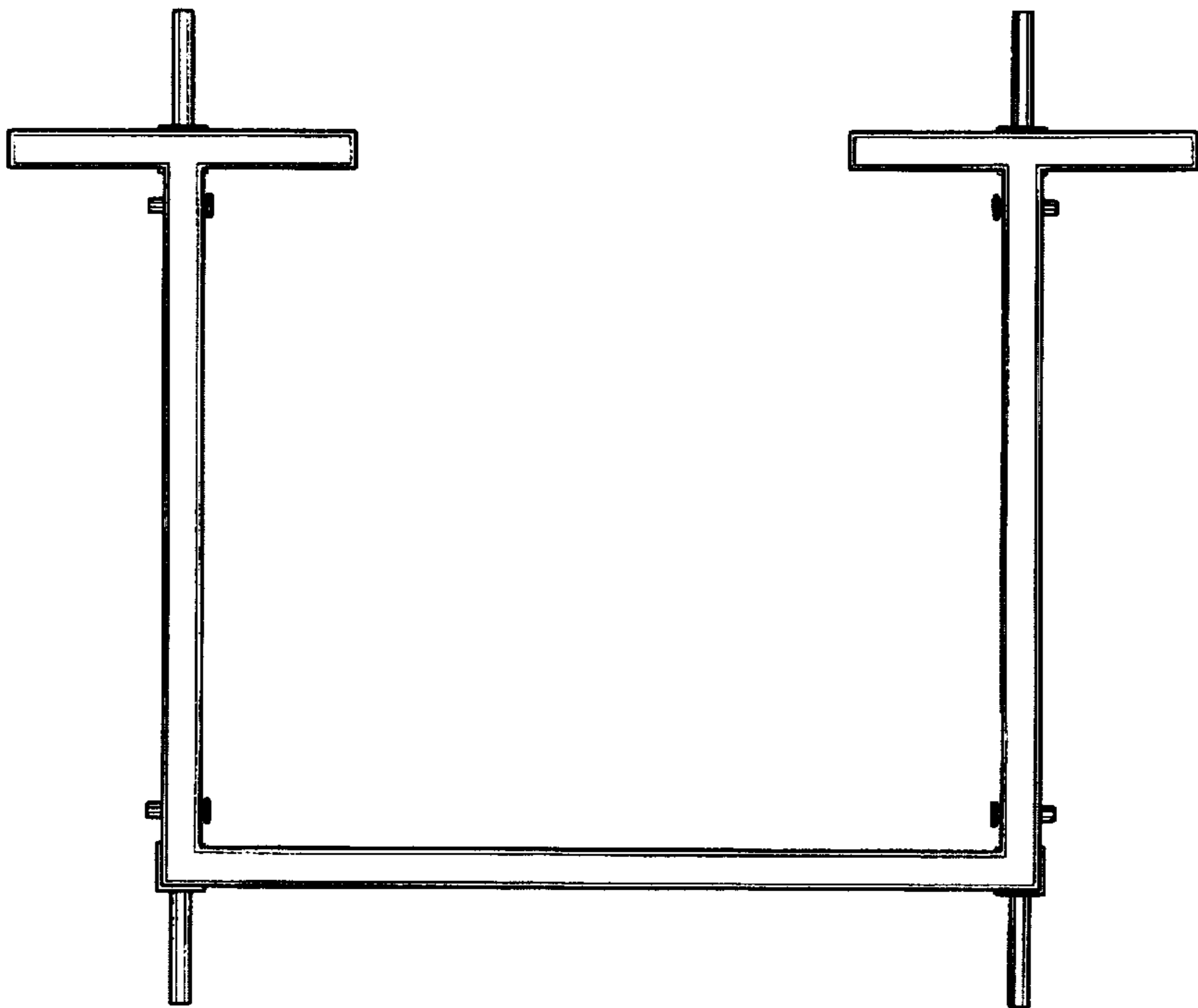


Fig. 6

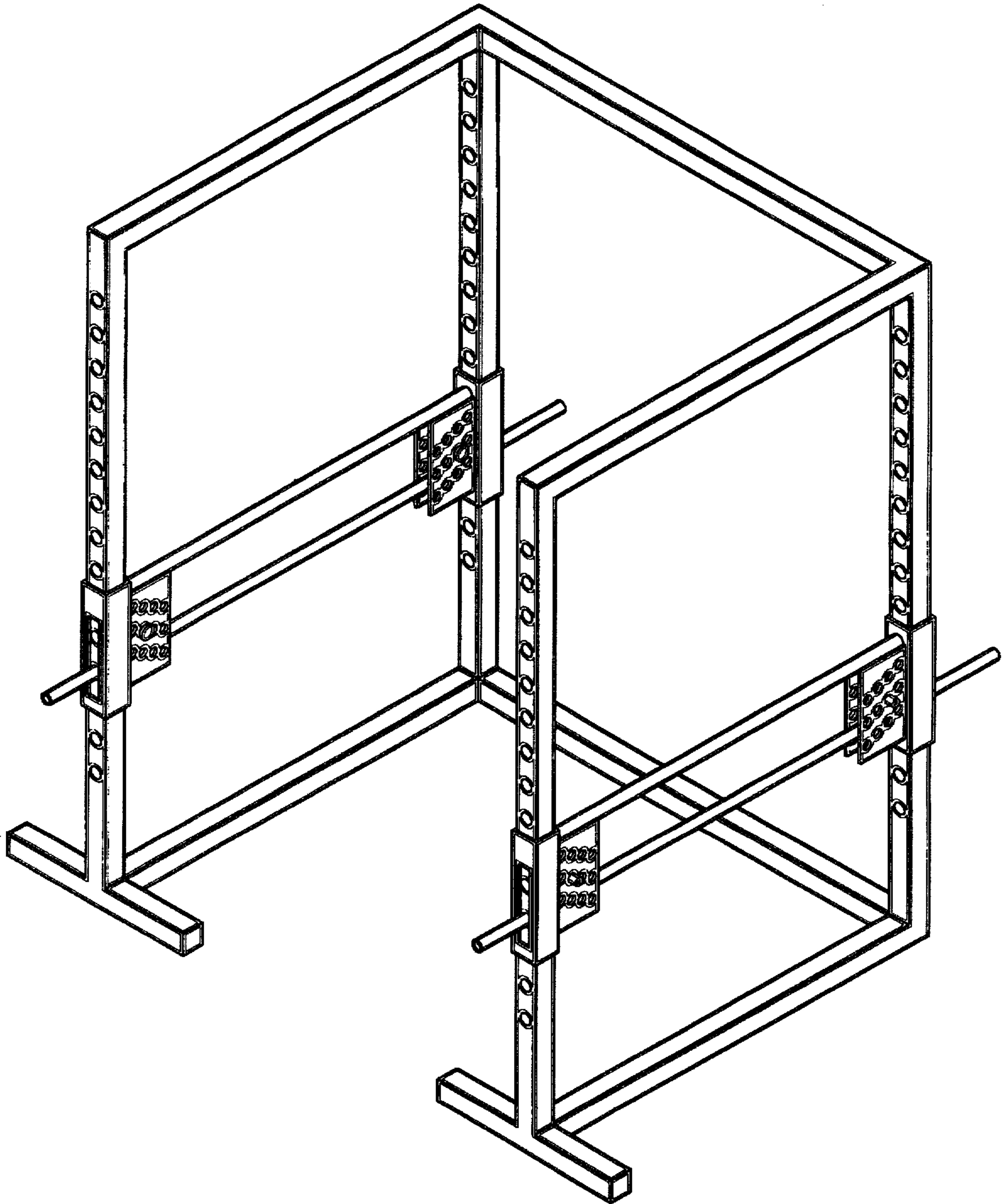


Fig. 7