



US00D408478S

United States Patent [19]

[11] Patent Number: **Des. 408,478**

Kuo

[45] Date of Patent: ****Apr. 20, 1999**

[54] **MINI MULTI-FUNCTIONAL EXERCISE DEVICE**

[76] Inventor: **Kevin Yen-Fu Kuo**, 38, Flowervale Rd., Thornhill, Canada, ON L3T-4J4

[**] Term: **14 Years**

[21] Appl. No.: **29/083,822**

[22] Filed: **Feb. 19, 1998**

[51] LOC (6) Cl. **21-02**

[52] U.S. Cl. **D21/673**

[58] Field of Search D21/662, 673, D21/675; 482/137, 92, 93, 94, 95, 96, 142

[56] **References Cited**

U.S. PATENT DOCUMENTS

D. 373,608	9/1996	Summers et al.	D21/673
4,634,119	1/1987	Pesthy	482/142
4,867,445	9/1989	Connelly	482/137
5,277,684	1/1994	Harris	482/137
5,441,473	8/1995	Safari et al.	482/142
5,458,555	10/1995	Ko	482/137

Primary Examiner—Philip S. Hyder
Attorney, Agent, or Firm—Browdy and Neimark

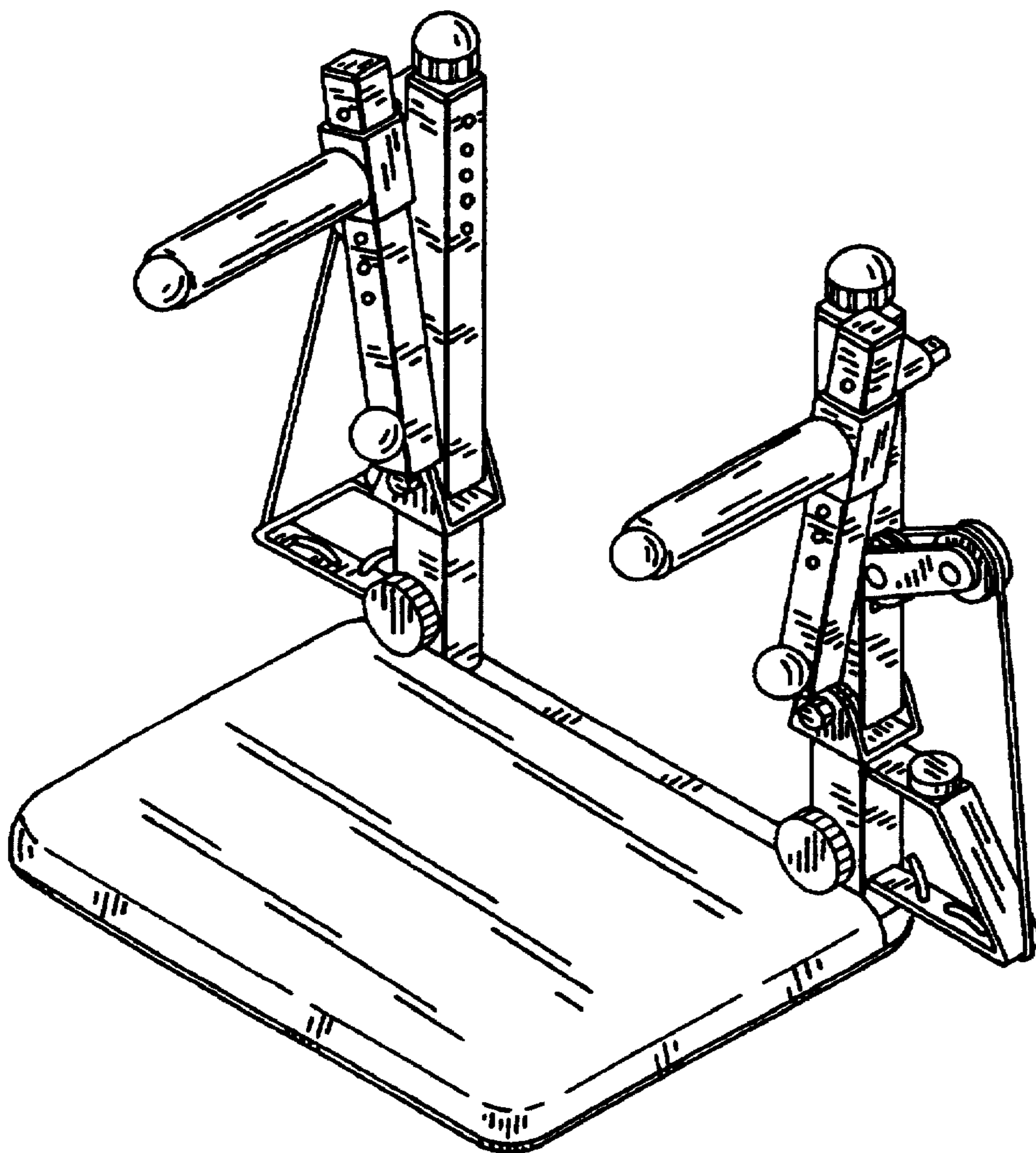
[57] **CLAIM**

The ornamental design for a “mini multi-functional exercise device”, as shown and described.

DESCRIPTION

FIG. 1 shows a perspective view of the present design.
 FIG. 2 shows a front elevational view of the present design.
 FIG. 3 shows a rear elevational view of the present design.
 FIG. 4 shows a left elevational view of the present design.
 FIG. 5 shows a right side elevational view of the present design.
 FIG. 6 shows a top plan view of the present design.
 FIG. 7 shows a bottom plan view of the present design.
 FIG. 8 shows a perspective view of the present design, wherein the armatures are in an alternate position;
 FIG. 9 shows a perspective view of the present design, wherein the armatures are in a second alternate position; and,
 FIG. 10 shows a perspective view of the present design, wherein the armatures are in a third alternate position.

1 Claim, 5 Drawing Sheets



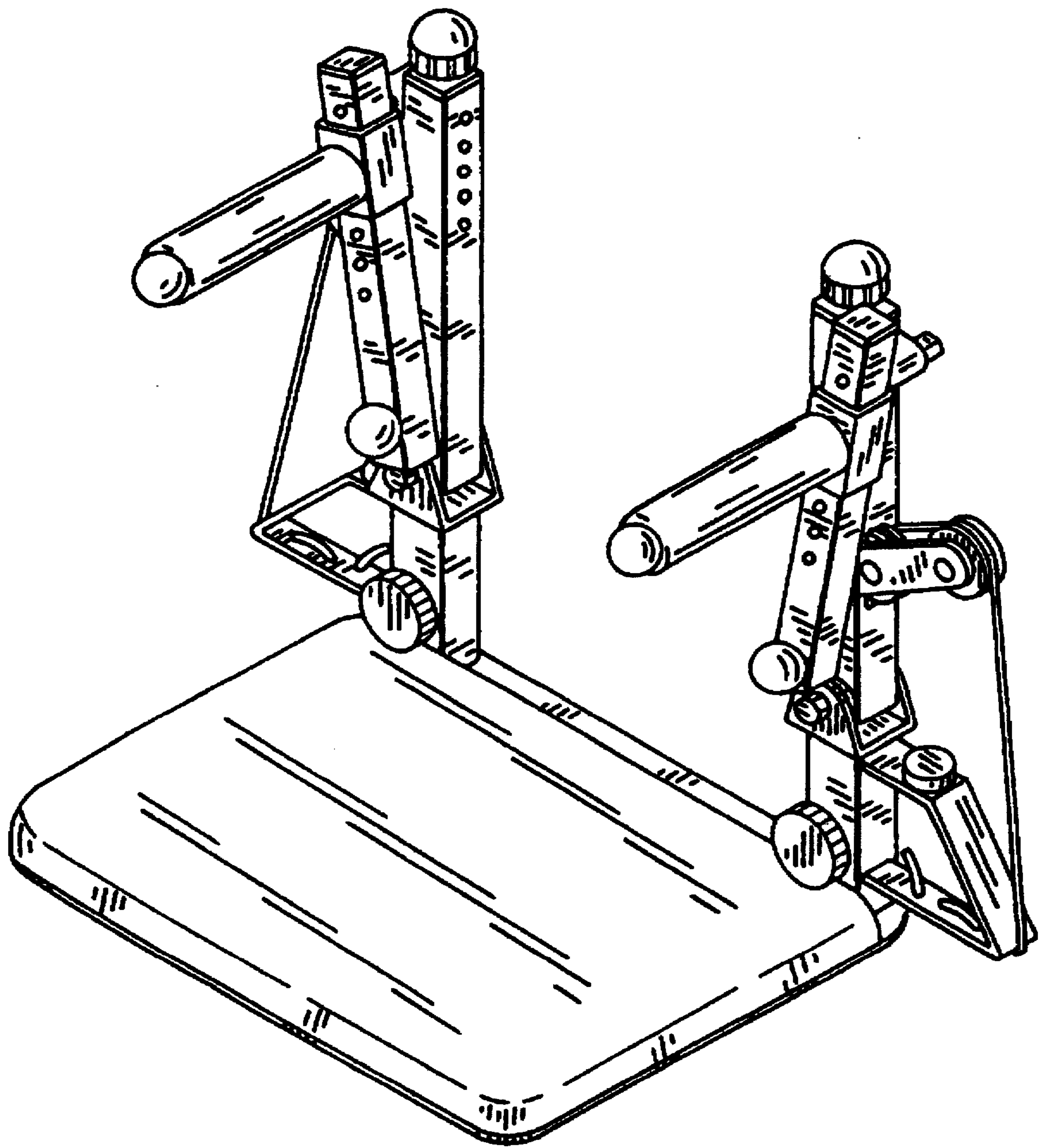


FIG. 1

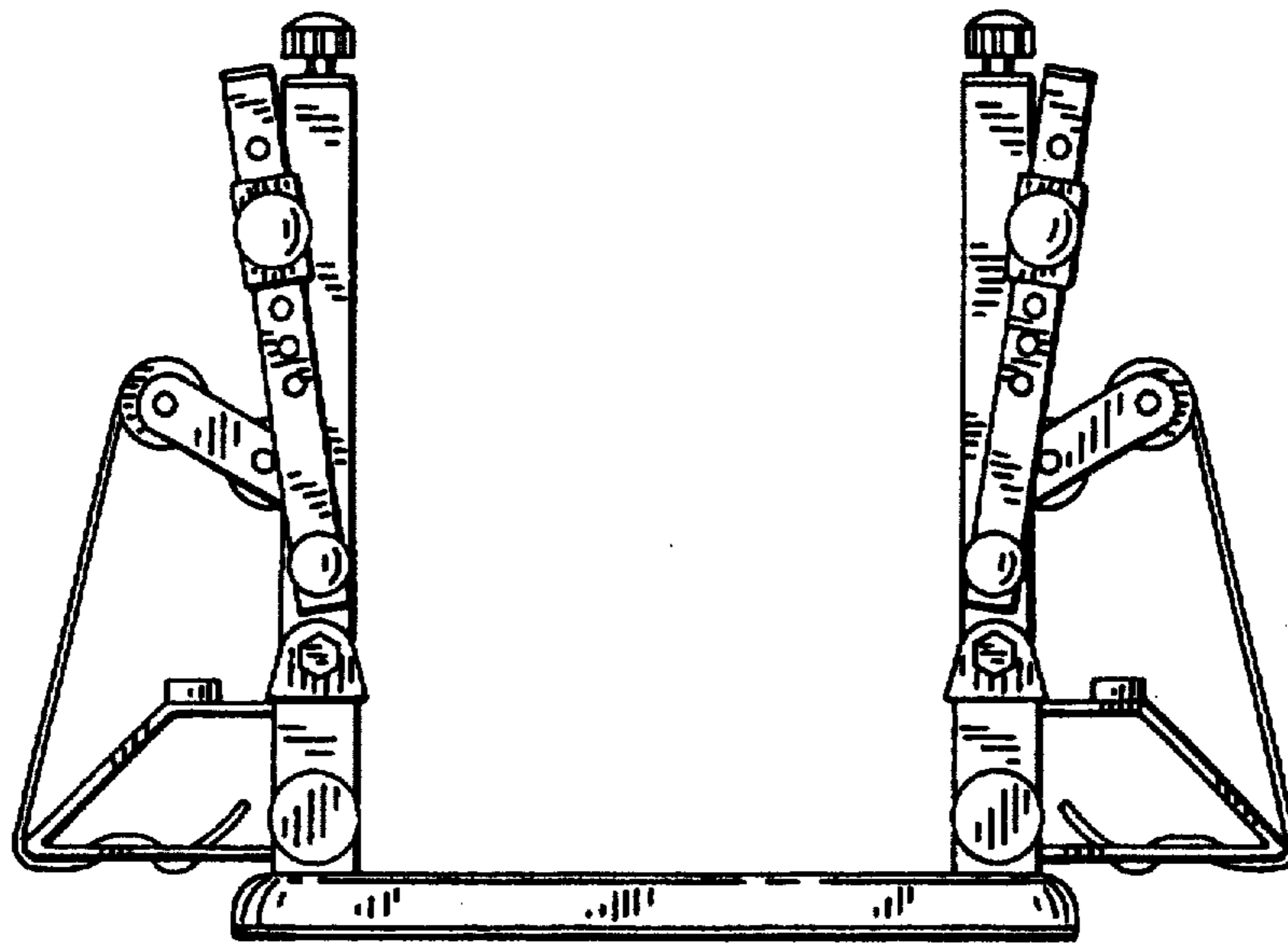


FIG. 2

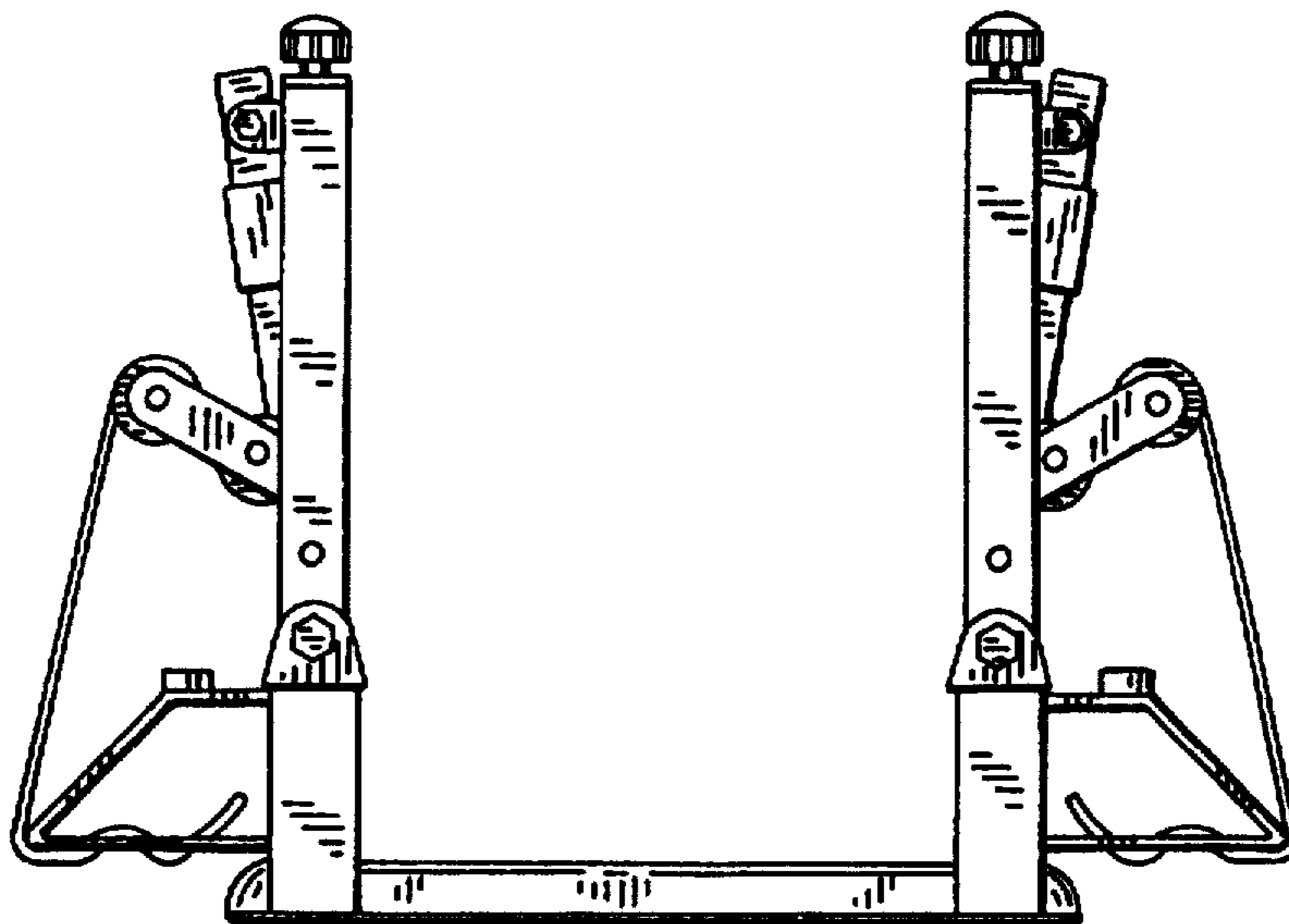


FIG. 3

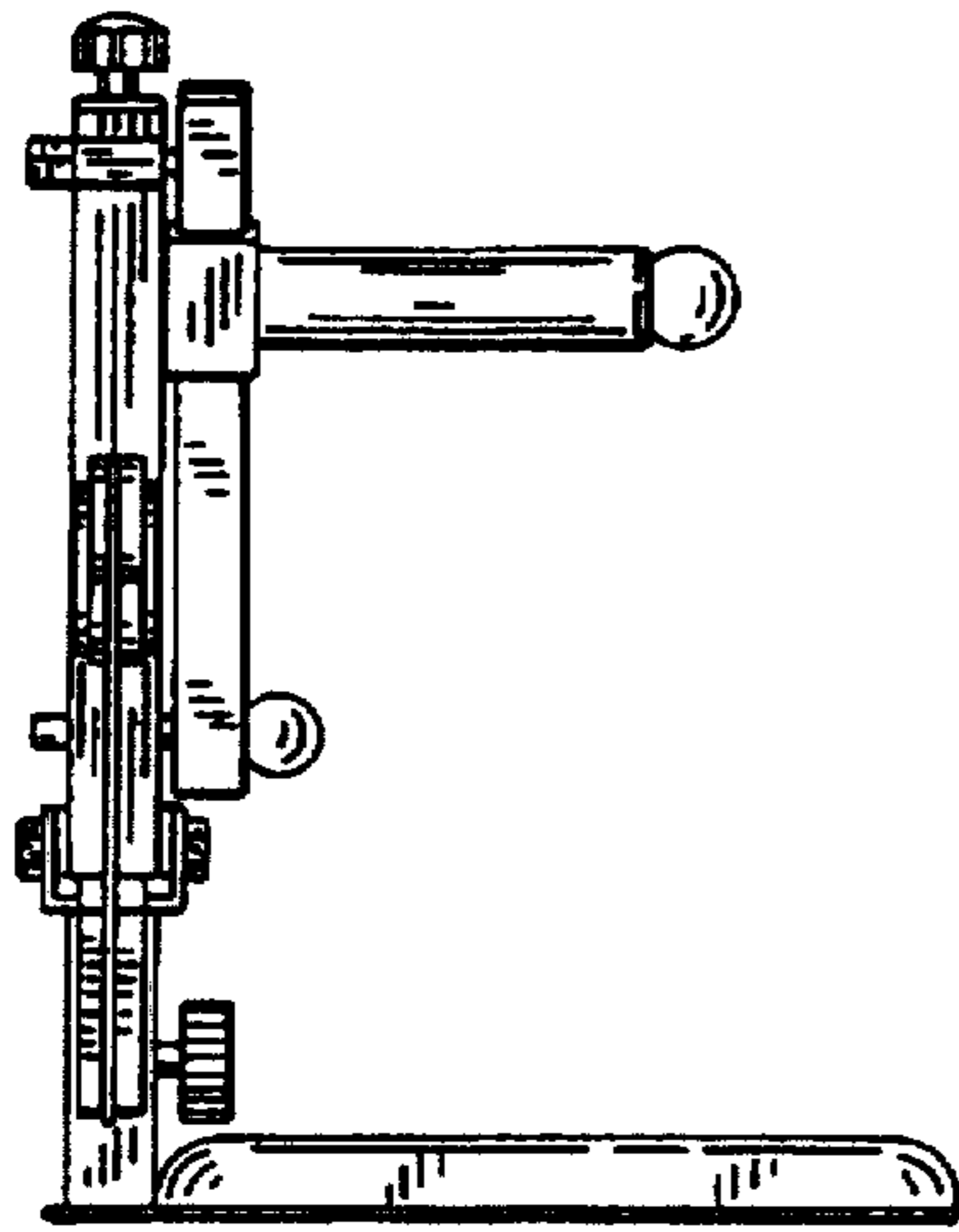


FIG. 4

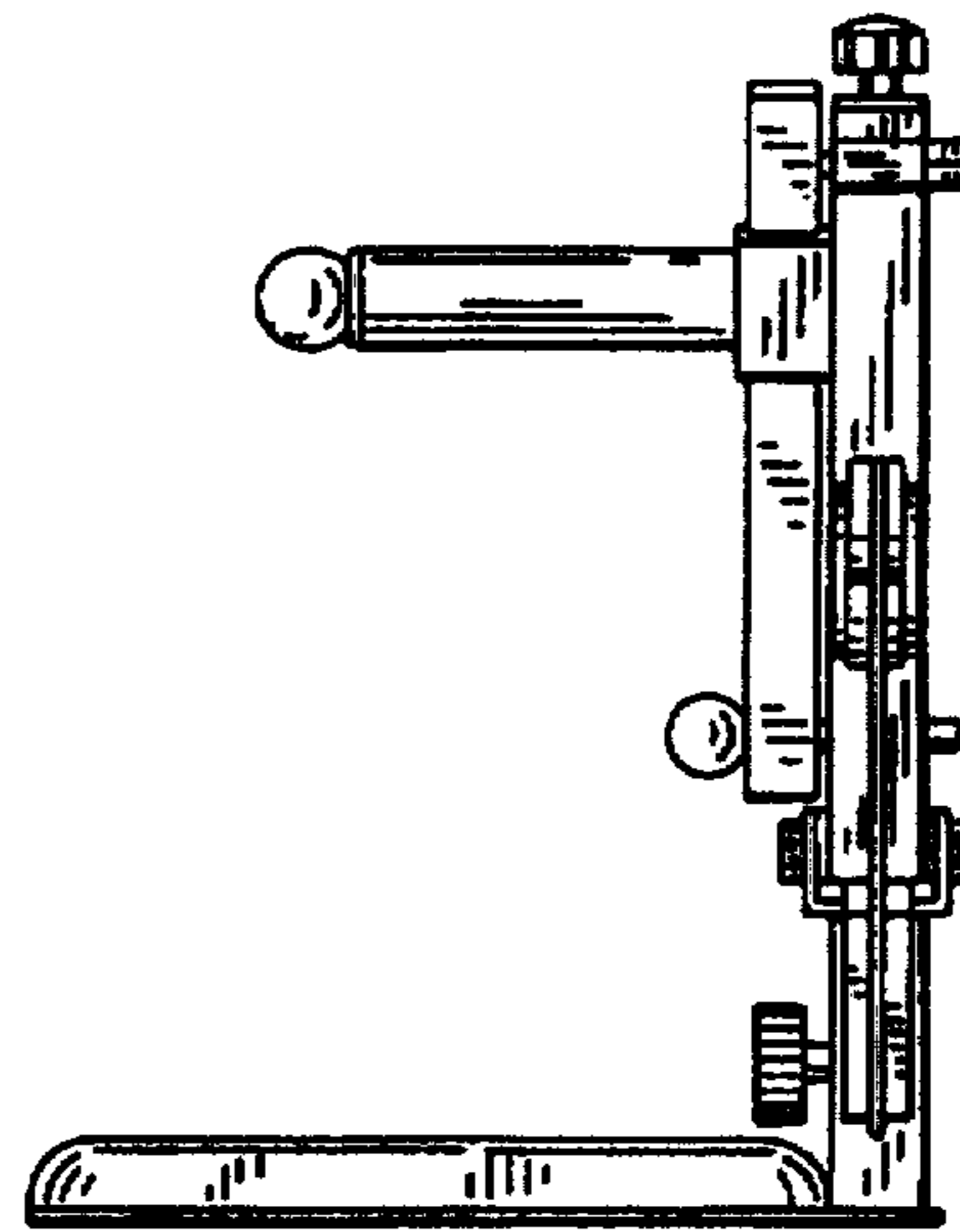


FIG. 5

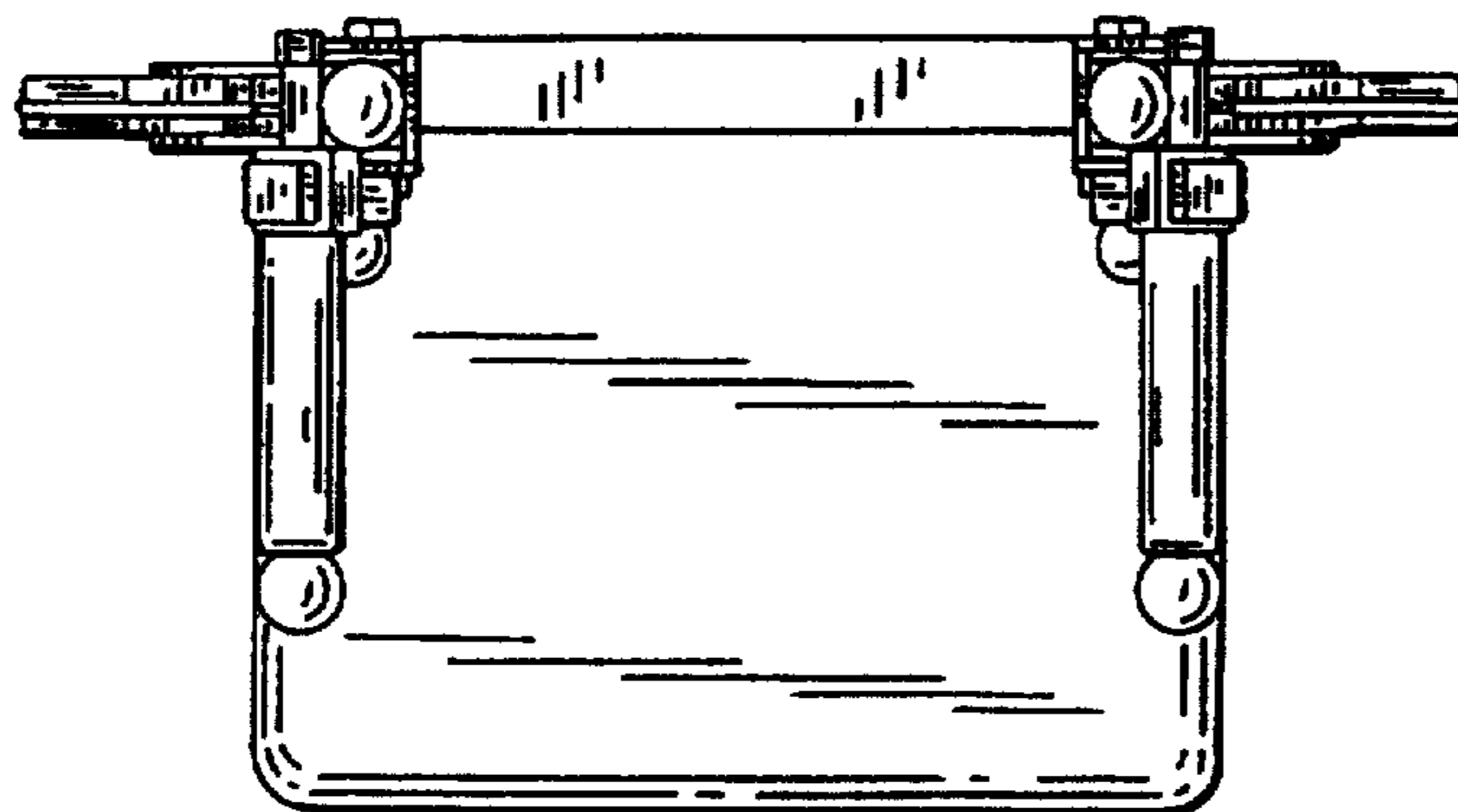


FIG. 6

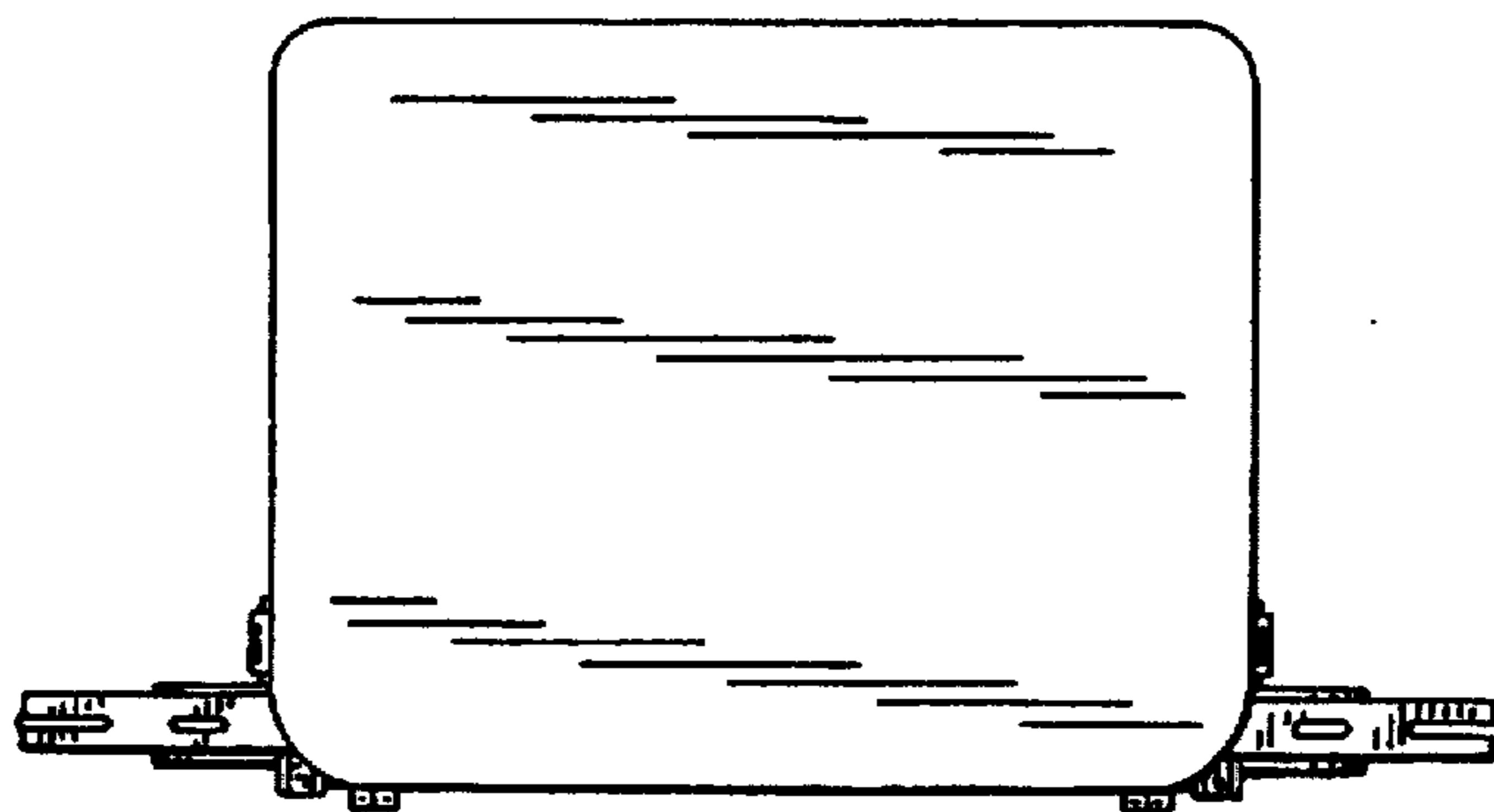


FIG. 7

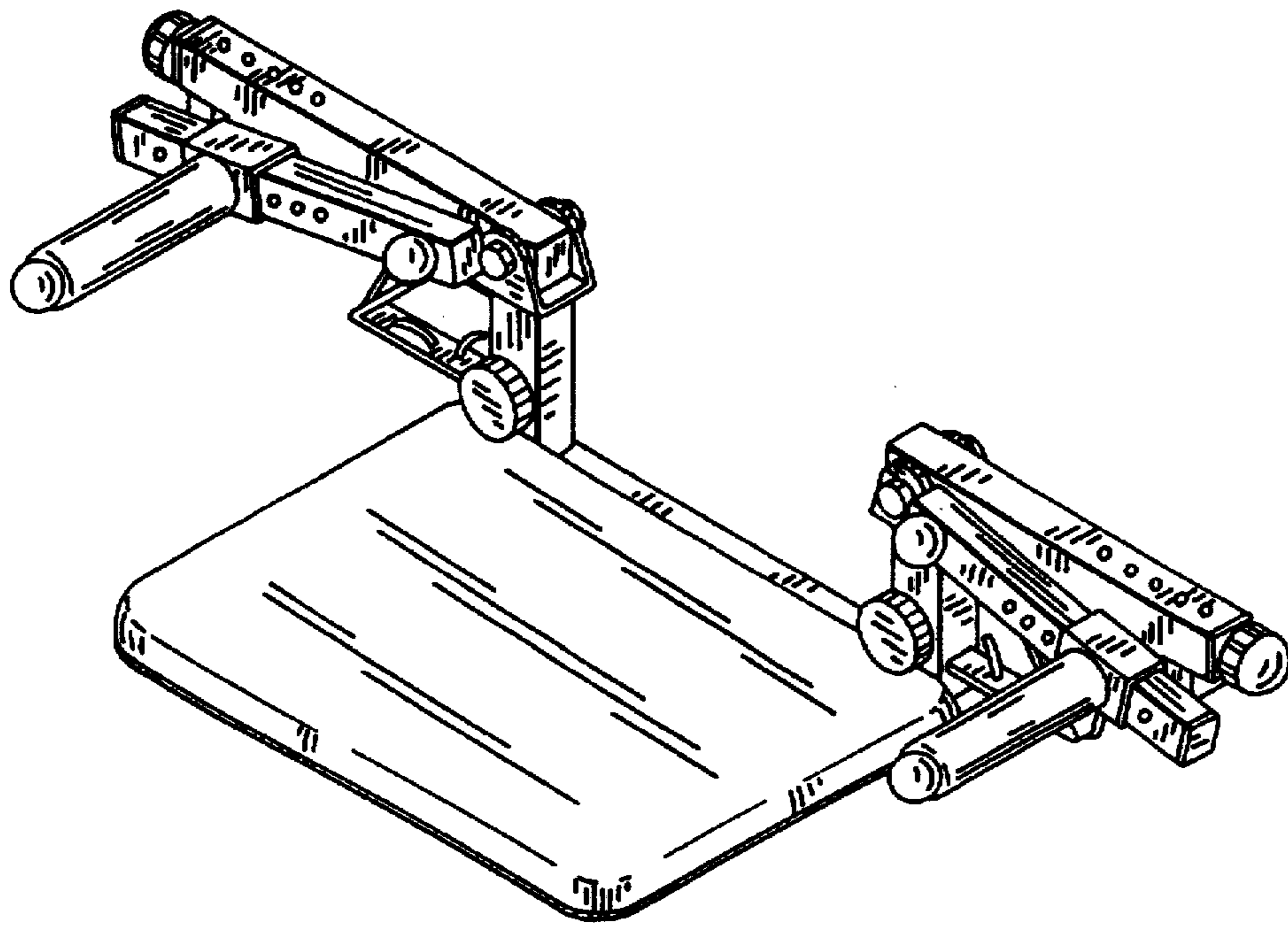


FIG. 8

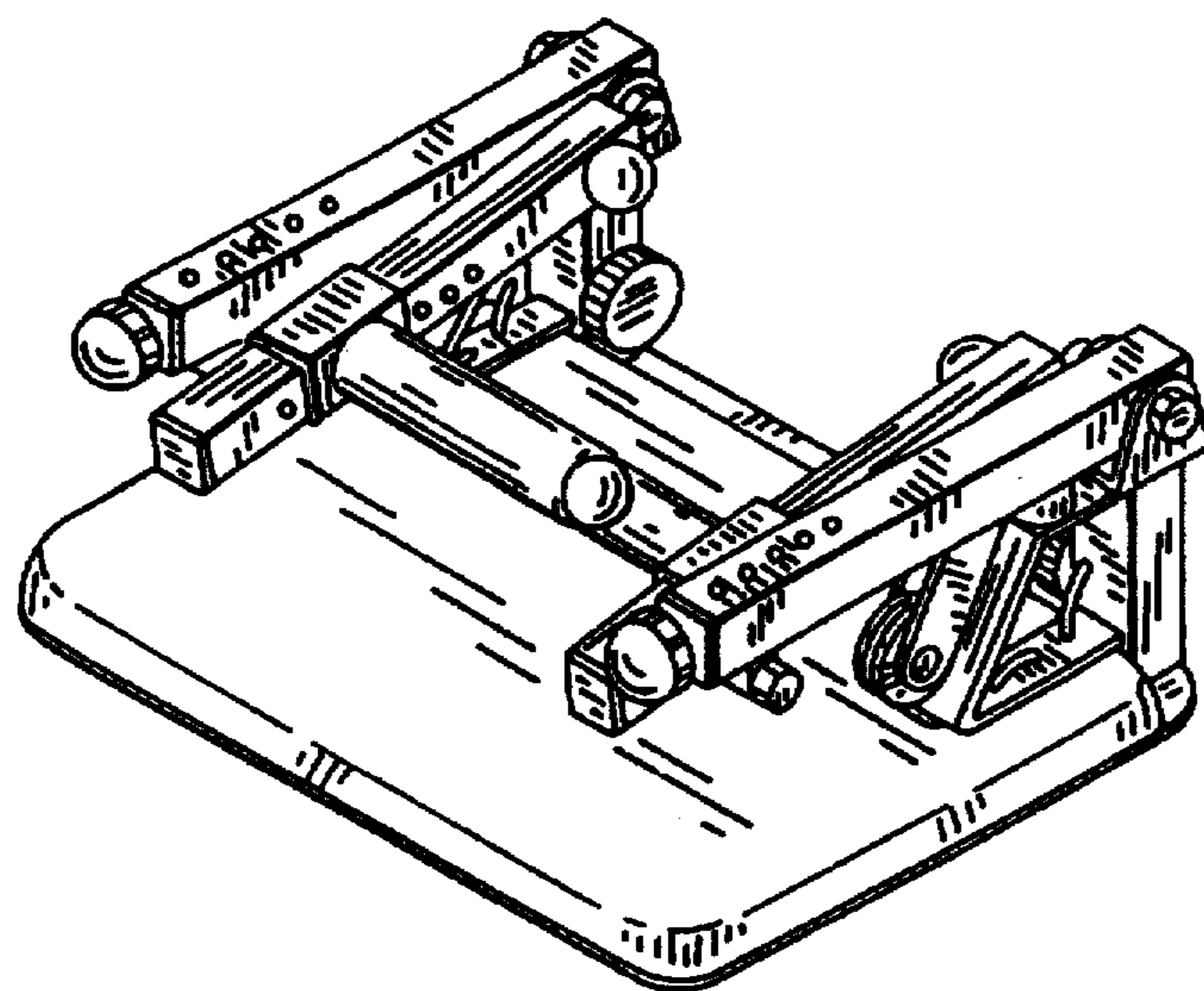


FIG. 10

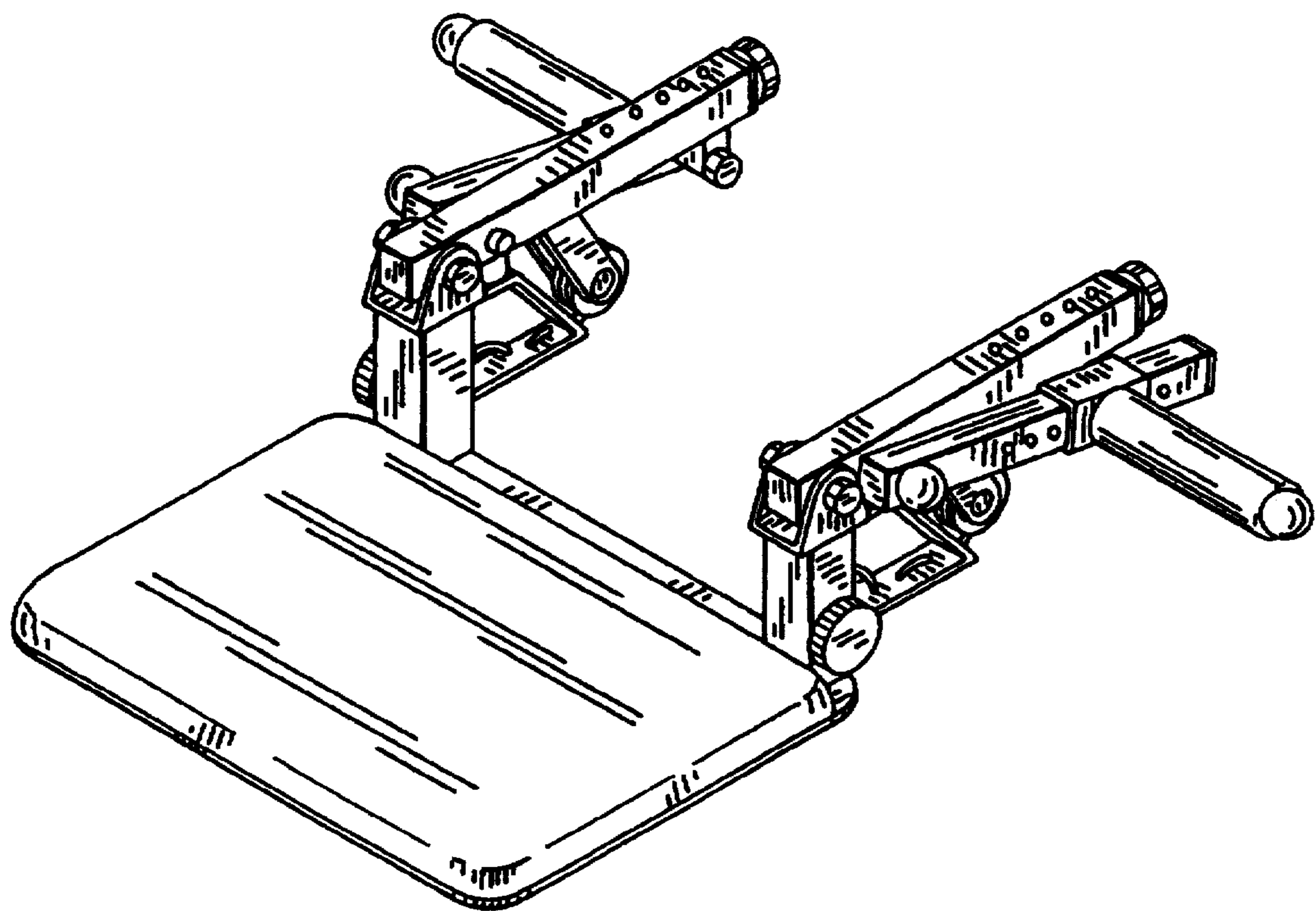


FIG. 9