



US00D408476S

# United States Patent [19]

Howachyn et al.

[11] Patent Number: **Des. 408,476**

[45] Date of Patent: **\*\*Apr. 20, 1999**

[54] **OUTDOOR PHYSICAL FITNESS APPARATUS**

[76] Inventors: **Dan Howachyn**, 315 Lookout Ter.;  
**Julian Pinner**, 110 West St. Apt. 6,  
both of Black Mountain, N.C. 28711

[\*\*] Term: **14 Years**

[21] Appl. No.: **29/084,667**

[22] Filed: **Mar. 6, 1998**

[51] LOC (6) CL ..... **21-02**

[52] U.S. Cl. .... **D21/662; D21/798**

[58] Field of Search ..... **D21/662, 798;**  
**482/83, 84, 85, 86, 87, 88, 89, 90**

[56] **References Cited**

**U.S. PATENT DOCUMENTS**

1,928,089	9/1933	Blickman	.....	482/90
4,403,772	9/1983	Stangle	.....	482/90
4,749,184	6/1988	Tobin	.....	482/90

4,789,152	12/1988	Guerra	.....	482/87
5,050,866	9/1991	Fucci	.....	482/90
5,286,241	2/1994	Patrakis	.....	482/83
5,476,433	12/1995	Bruner	.....	482/90

*Primary Examiner*—Philip S. Hyder  
*Attorney, Agent, or Firm*—Carter & Schnedler, P.A.

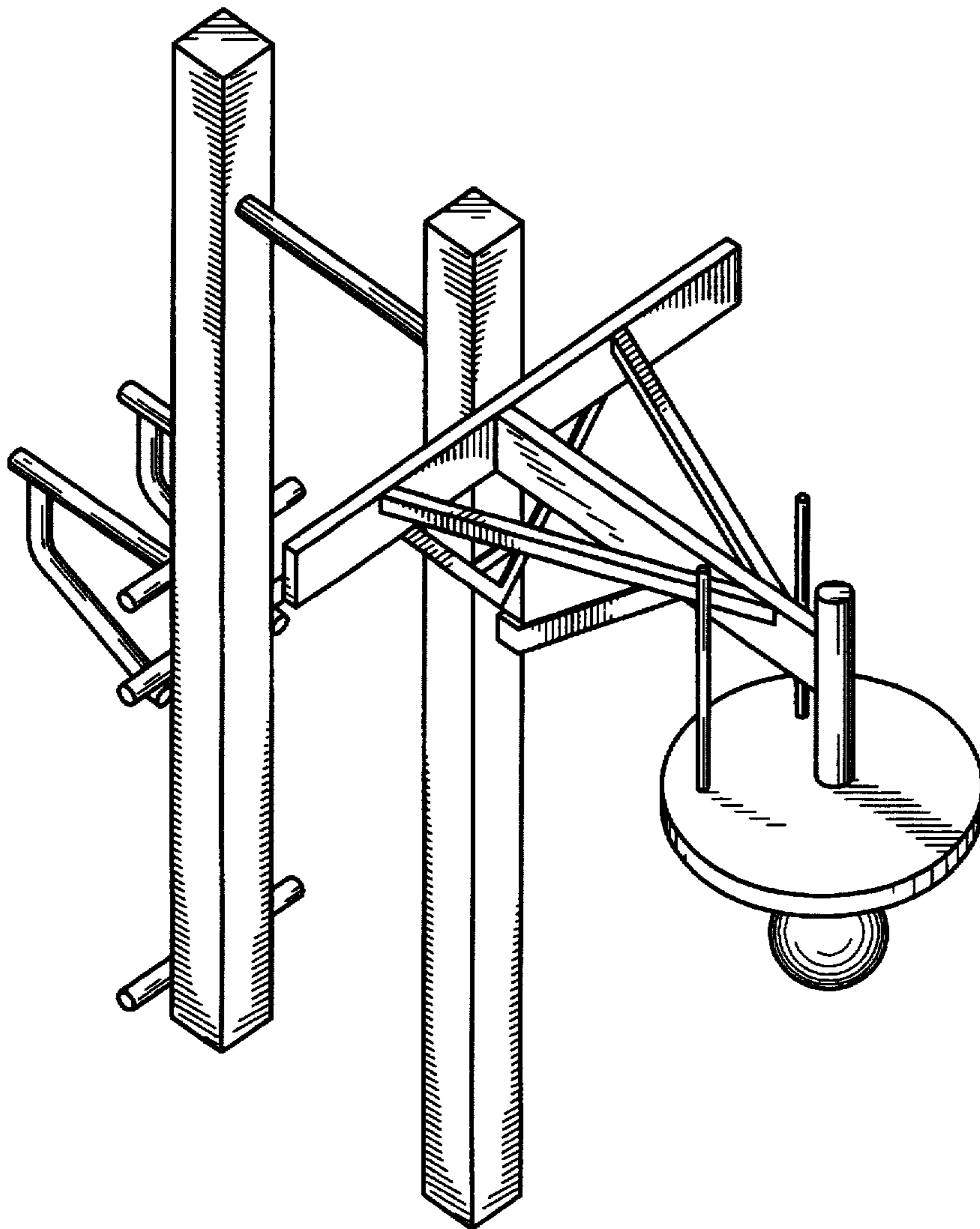
[57] **CLAIM**

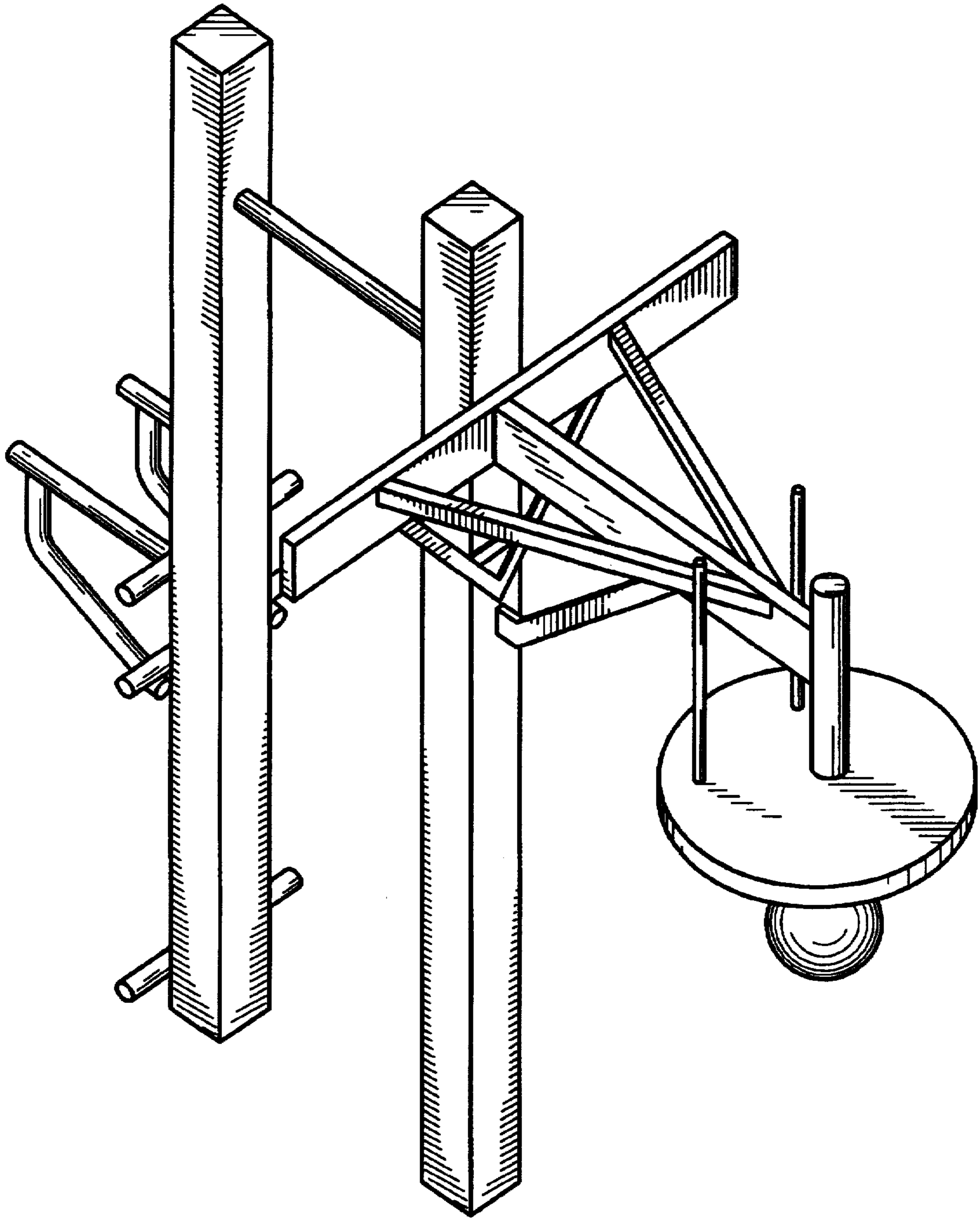
The ornamental design for an outdoor physical fitness apparatus, as shown.

**DESCRIPTION**

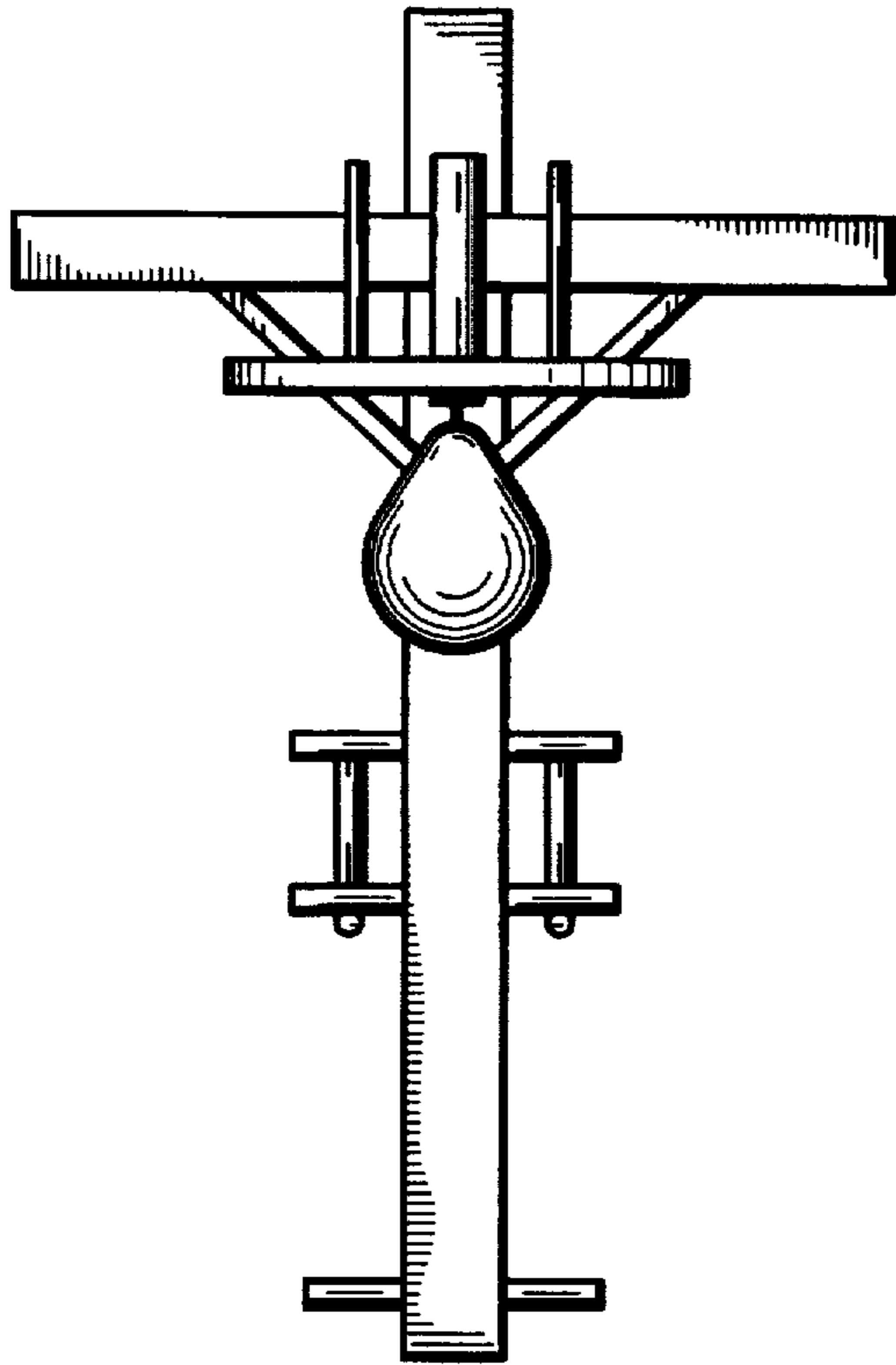
FIG. 1 is a perspective view of an outdoor physical fitness apparatus showing our new design; FIG. 2 is a front elevational view thereof; FIG. 3 is a rear elevational view thereof; FIG. 4 is a left side elevational view thereof; FIG. 5 is a right side elevational view thereof; and, FIG. 6 is a top plan view thereof.

**1 Claim, 4 Drawing Sheets**

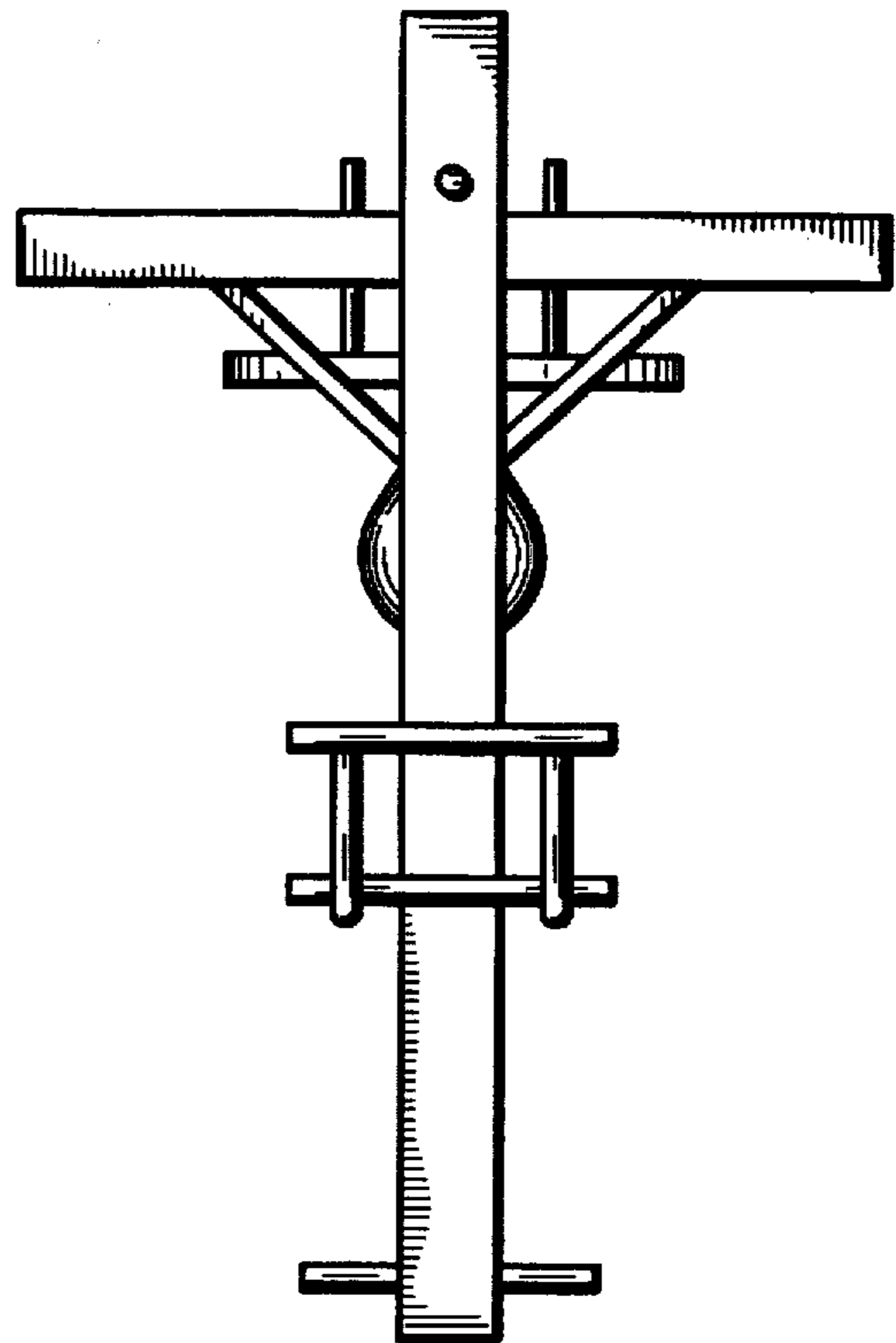




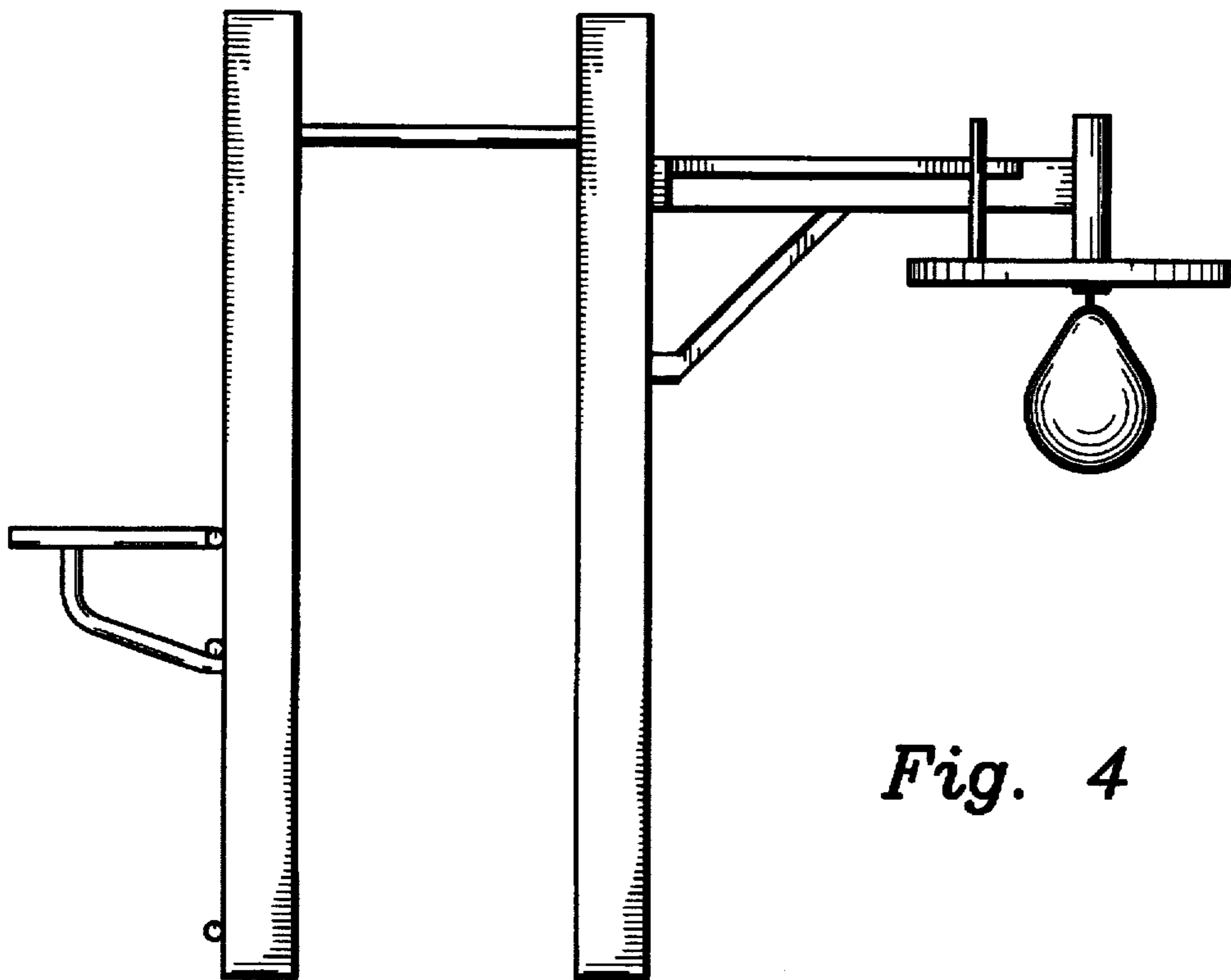
*Fig. 1*



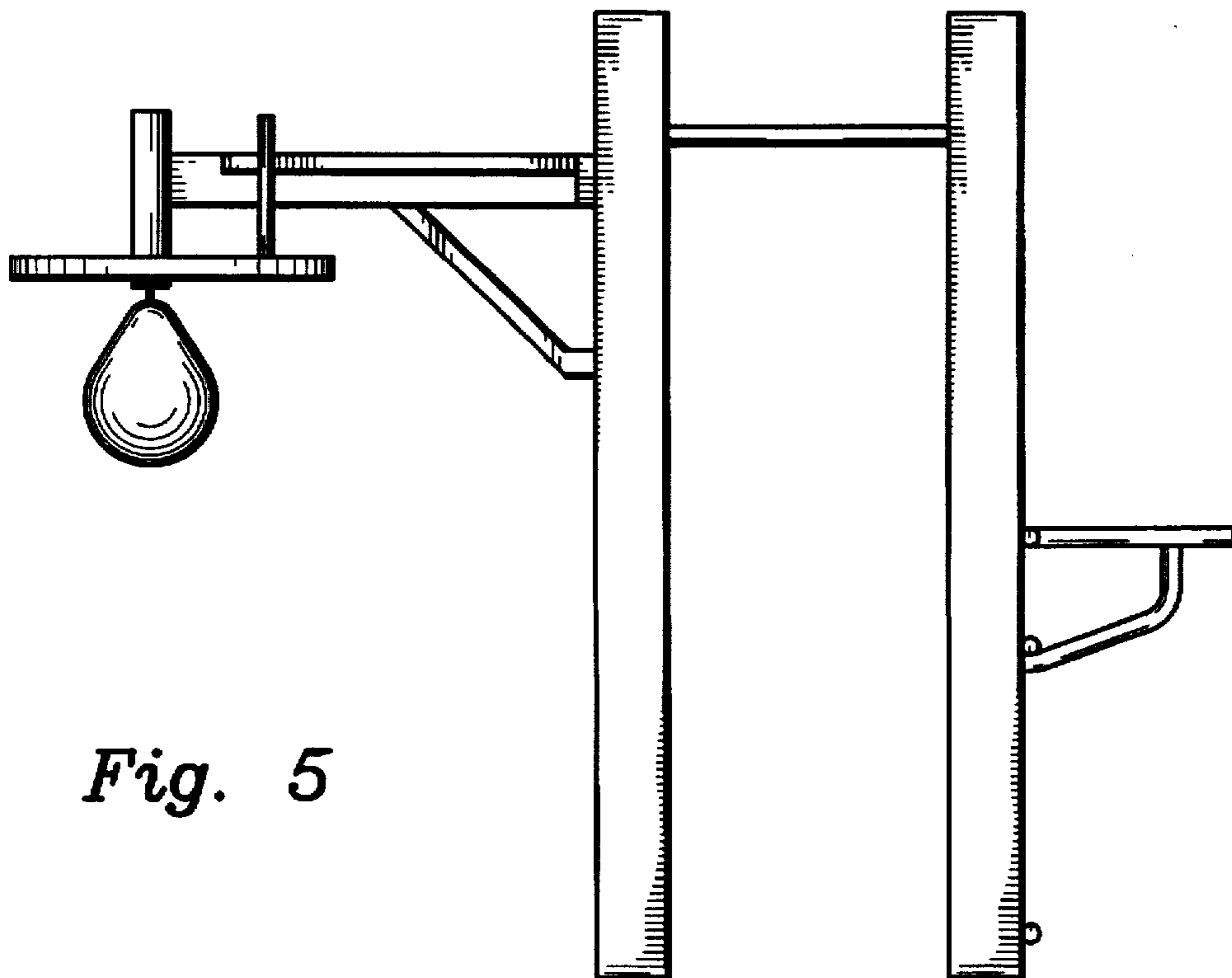
*Fig. 2*



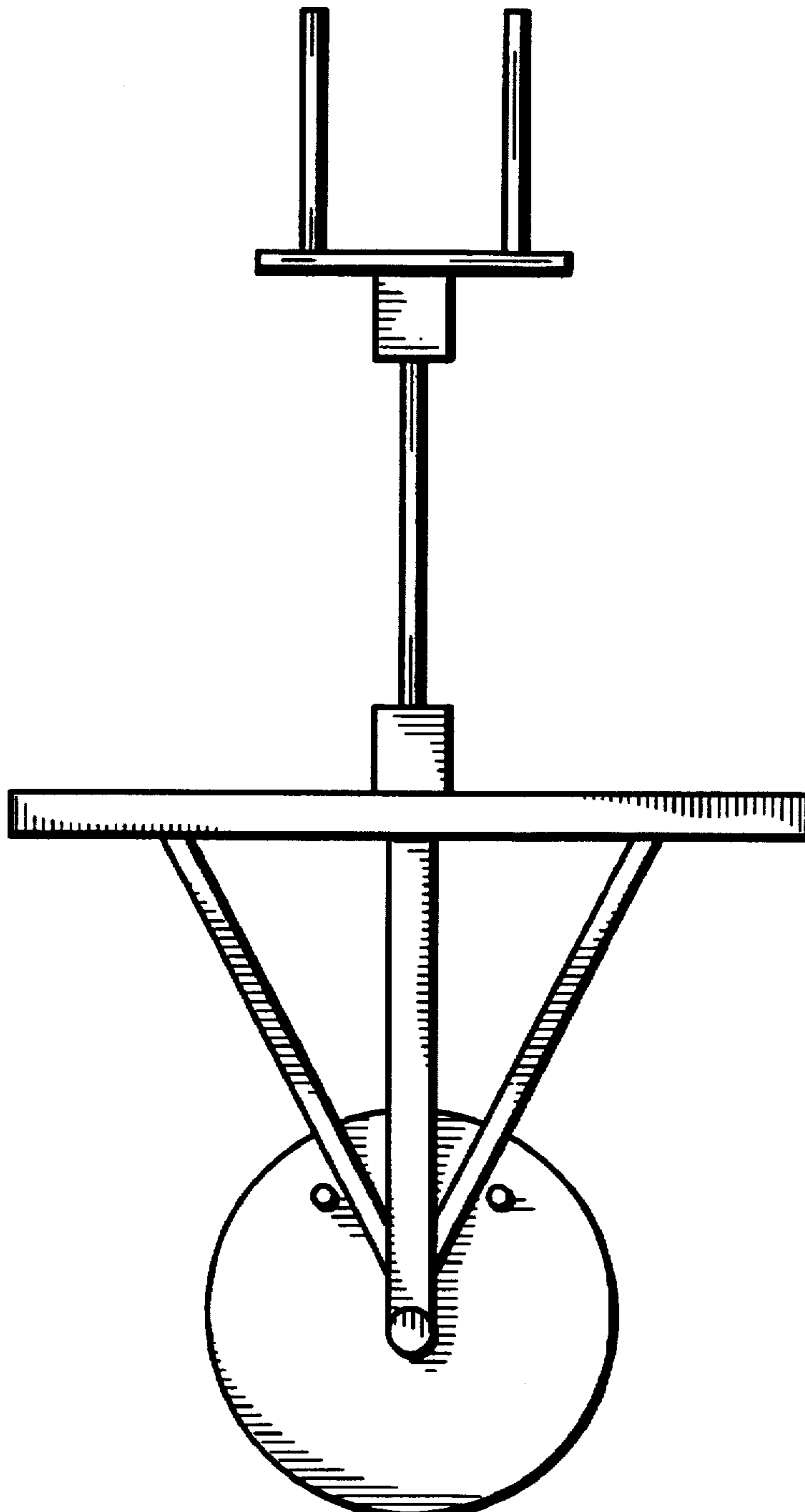
*Fig. 3*



*Fig. 4*



*Fig. 5*



*Fig. 6*