



US00D408470S

**United States Patent** [19]  
**Rosen**

[11] **Patent Number: Des. 408,470**  
[45] **Date of Patent: \*\*Apr. 20, 1999**

[54] **FINGERNAIL DECORATING TOY**  
[75] **Inventor: Lawrence L. Rosen, Mendham, N.J.**  
[73] **Assignee: Rose Art Industries, Inc., Livingston, N.J.**  
[\*\*] **Term: 14 Years**

D. 343,285 1/1994 Ancona et al. .... D28/61  
D. 373,445 9/1996 Wright-Godley .... D28/61  
D. 376,671 12/1996 Schonhorn .... D28/61  
2,456,022 12/1948 Rebo .... 132/75  
5,139,036 8/1992 Pickard .... 132/75

*Primary Examiner*—Raphael Barkai  
*Attorney, Agent, or Firm*—McCarter & English, LLP; Allen N. Friedman

[21] **Appl. No.: 29/076,831**  
[22] **Filed: Sep. 23, 1997**

[57] **CLAIM**

I claim the ornamental design for a fingernail decorating toy, as shown and described.

[51] **LOC (6) Cl. .... 21-01**  
[52] **U.S. Cl. .... D21/483; D28/61**  
[58] **Field of Search .... D21/483, 523; D28/61, 73, 56; 446/75, 472, 475, 491; 132/73, 73.5, 75; 206/581, 823**

**DESCRIPTION**

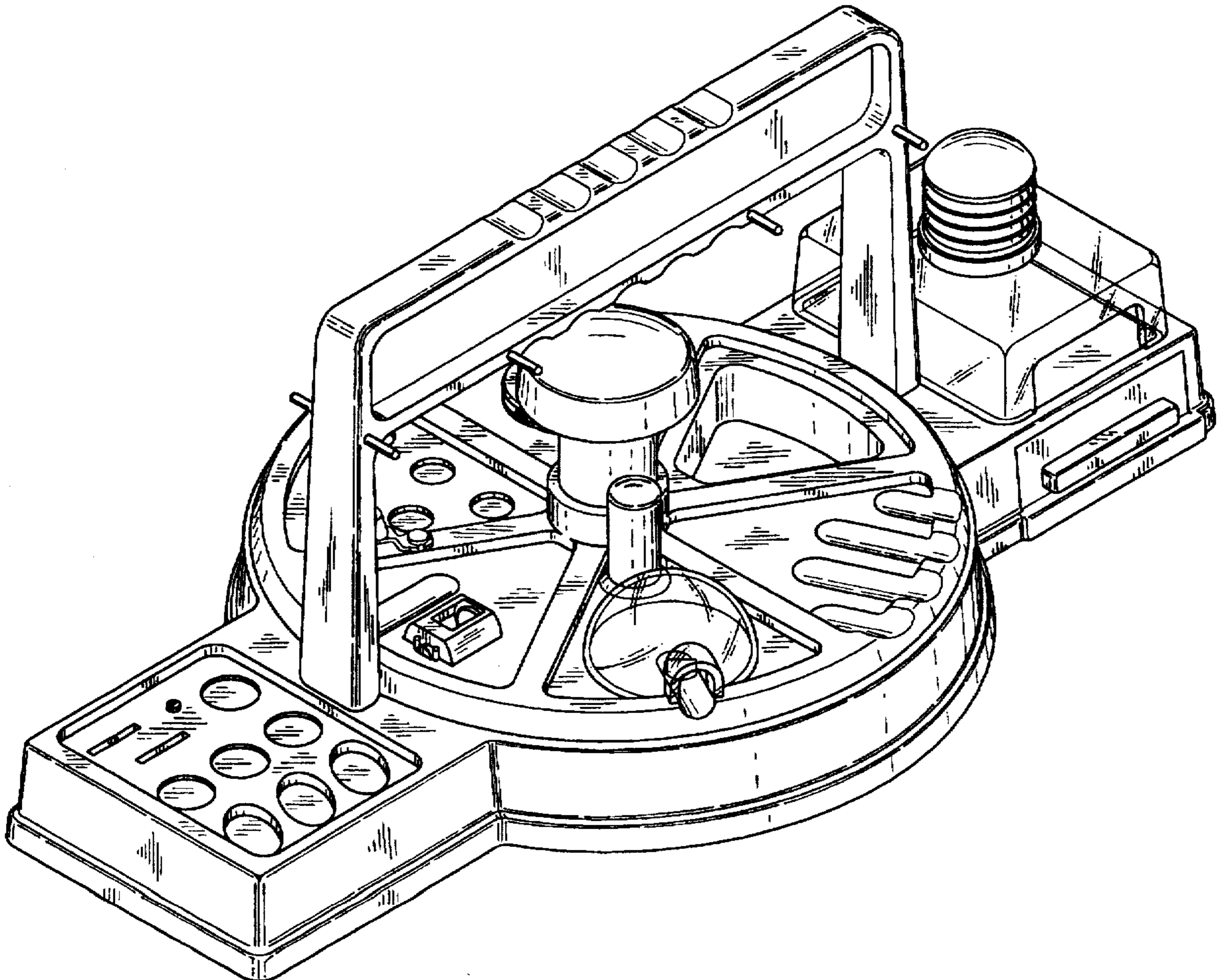
FIG. 1 is a right front perspective view of the fingernail decorating toy;  
FIG. 2 is a front elevational view thereof;  
FIG. 3 is a top plan view thereof;  
FIG. 4 is a rear elevational view thereof;  
FIG. 5 is a right side elevational view thereof;  
FIG. 6 is a left side elevational view thereof; and,  
FIG. 7 is a bottom plan view thereof.

[56] **References Cited**

**U.S. PATENT DOCUMENTS**

D. 98,454 2/1936 Conradsen .... D28/61  
D. 101,093 9/1936 Young .... D28/61  
D. 150,279 7/1948 Wies .... 132/75  
D. 273,810 5/1984 Zinbarg .... D28/61

**1 Claim, 4 Drawing Sheets**



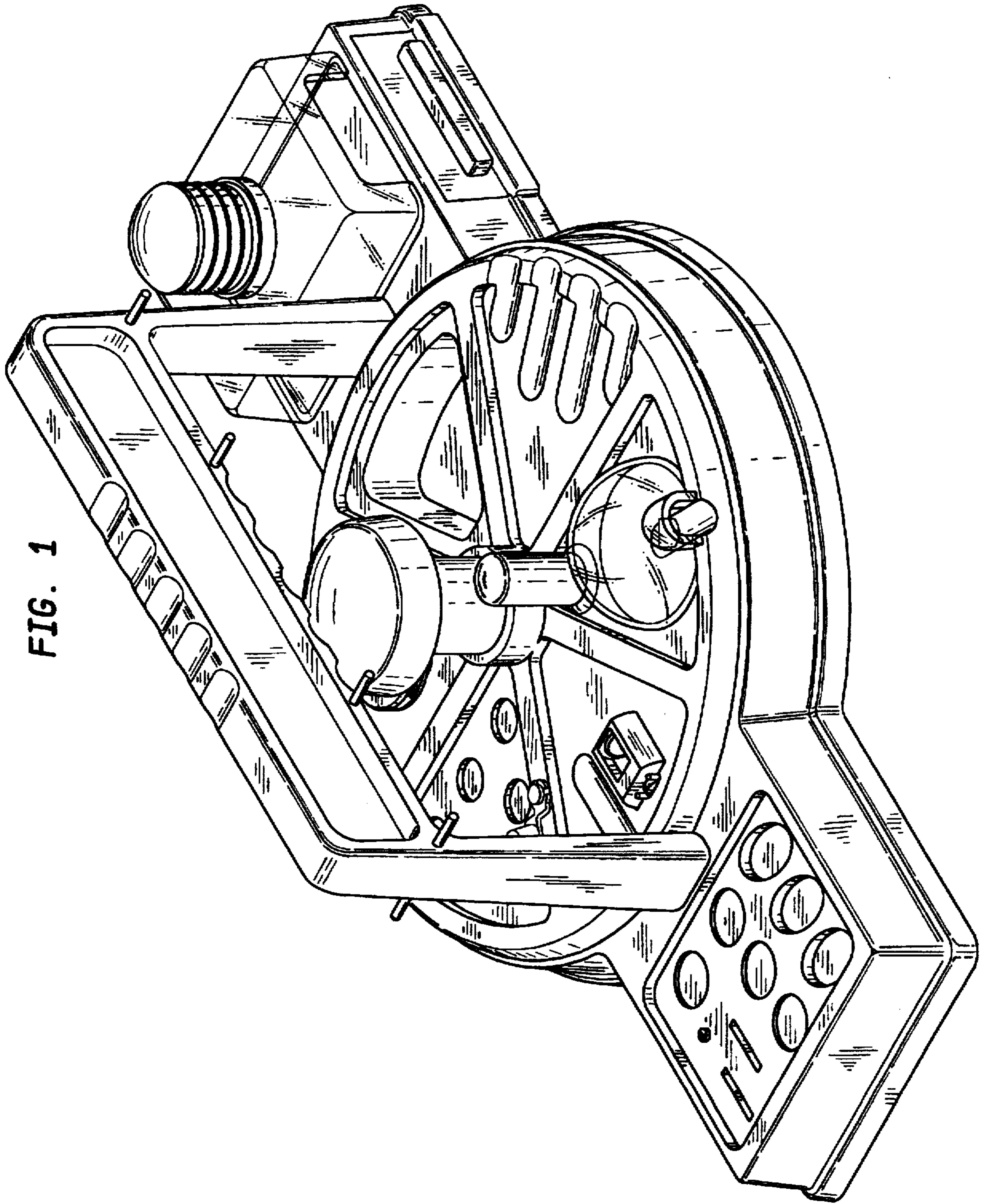


FIG. 1



FIG. 2

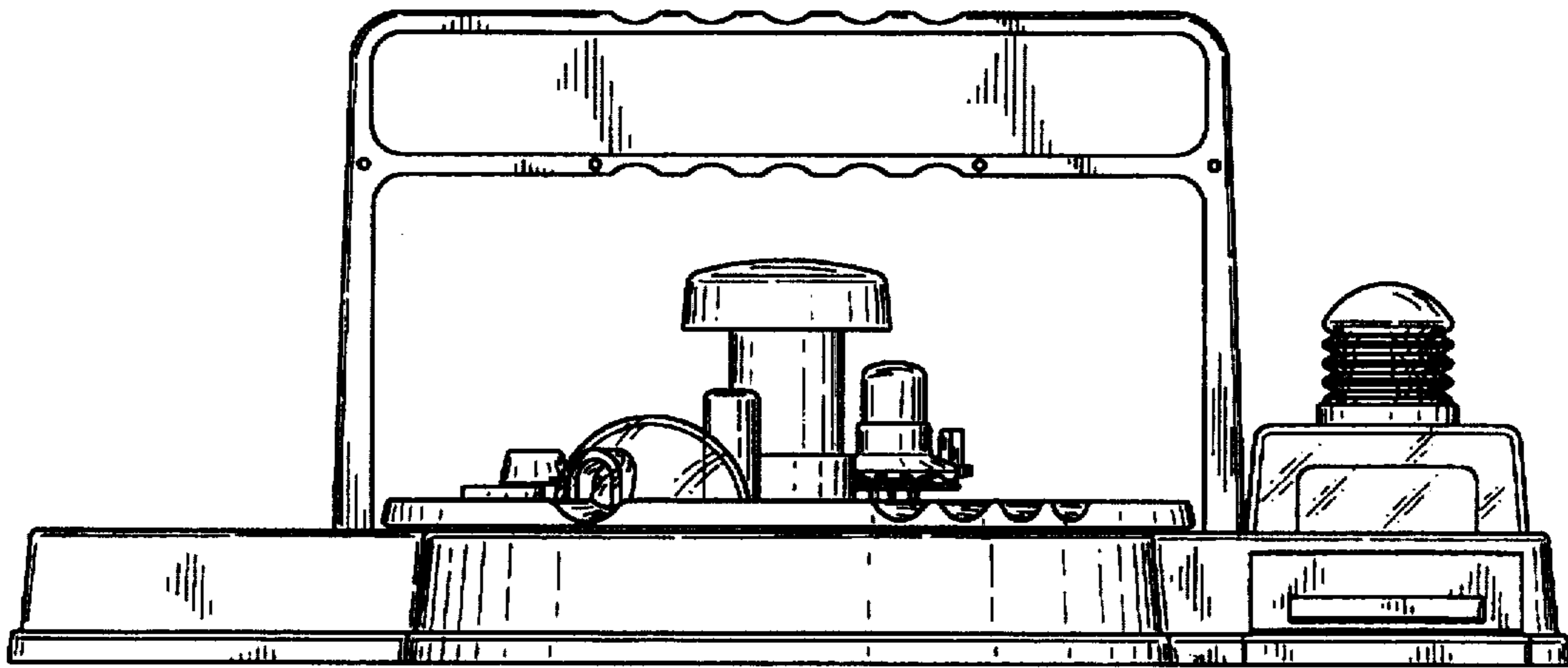


FIG. 3

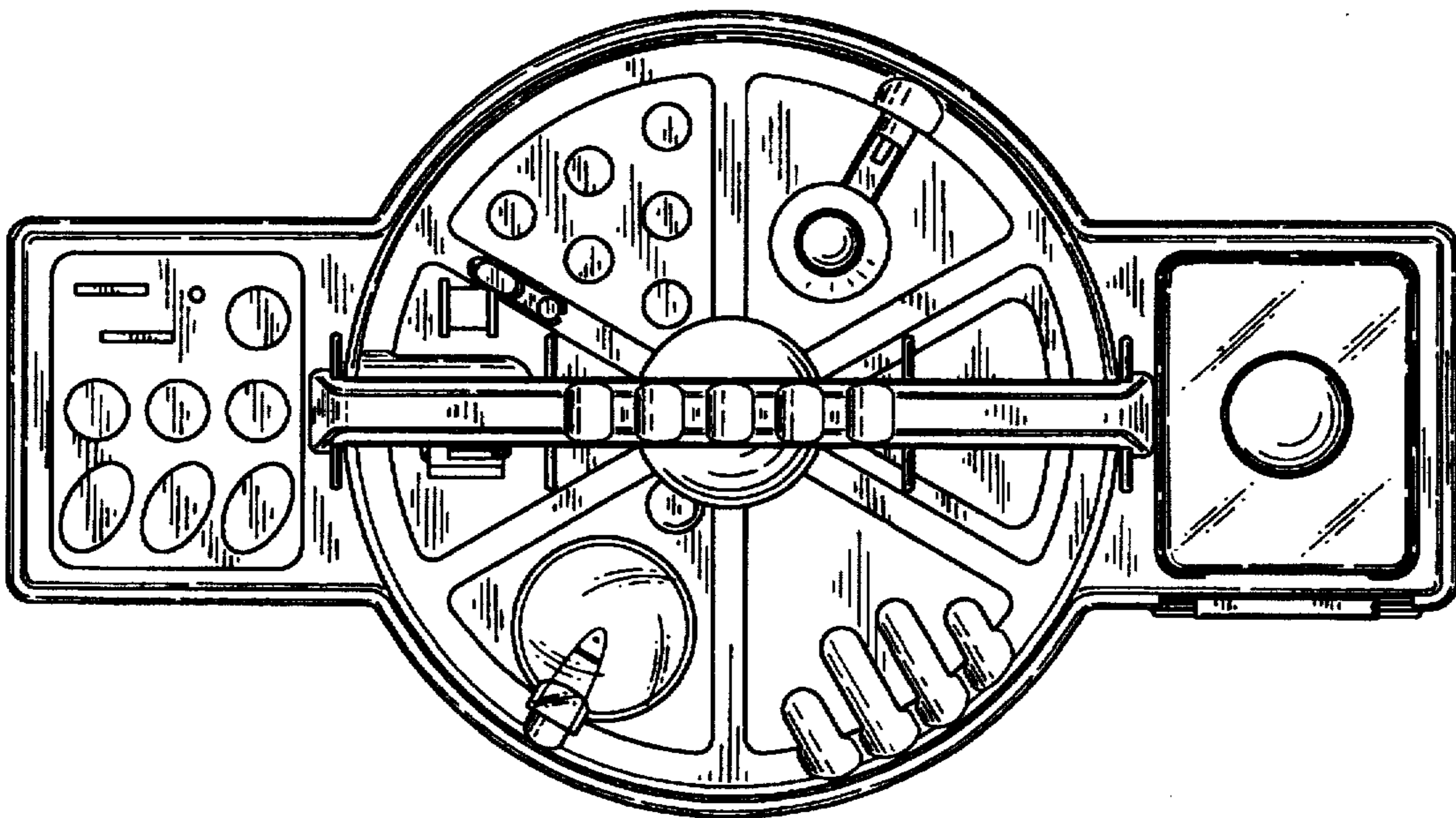


FIG. 4

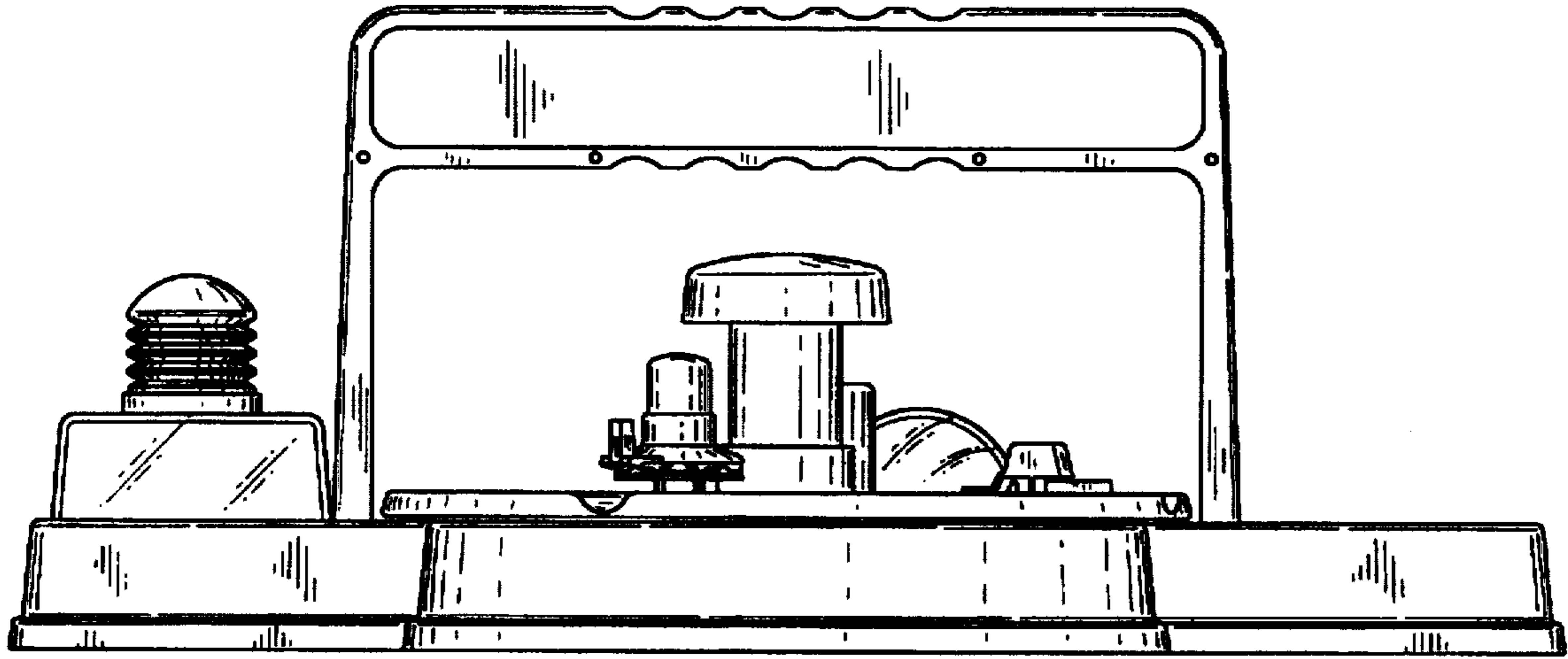


FIG. 5

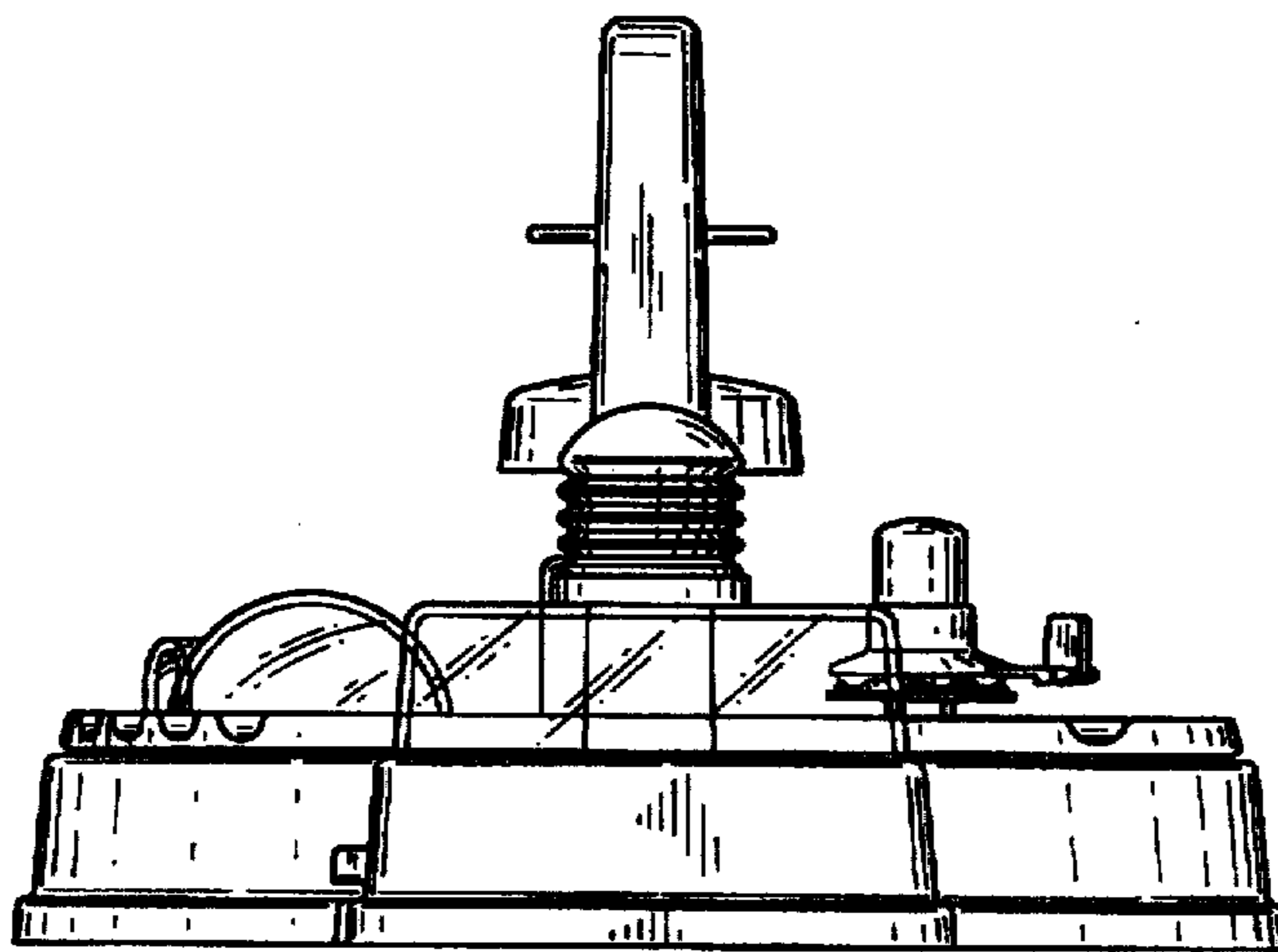


FIG. 6

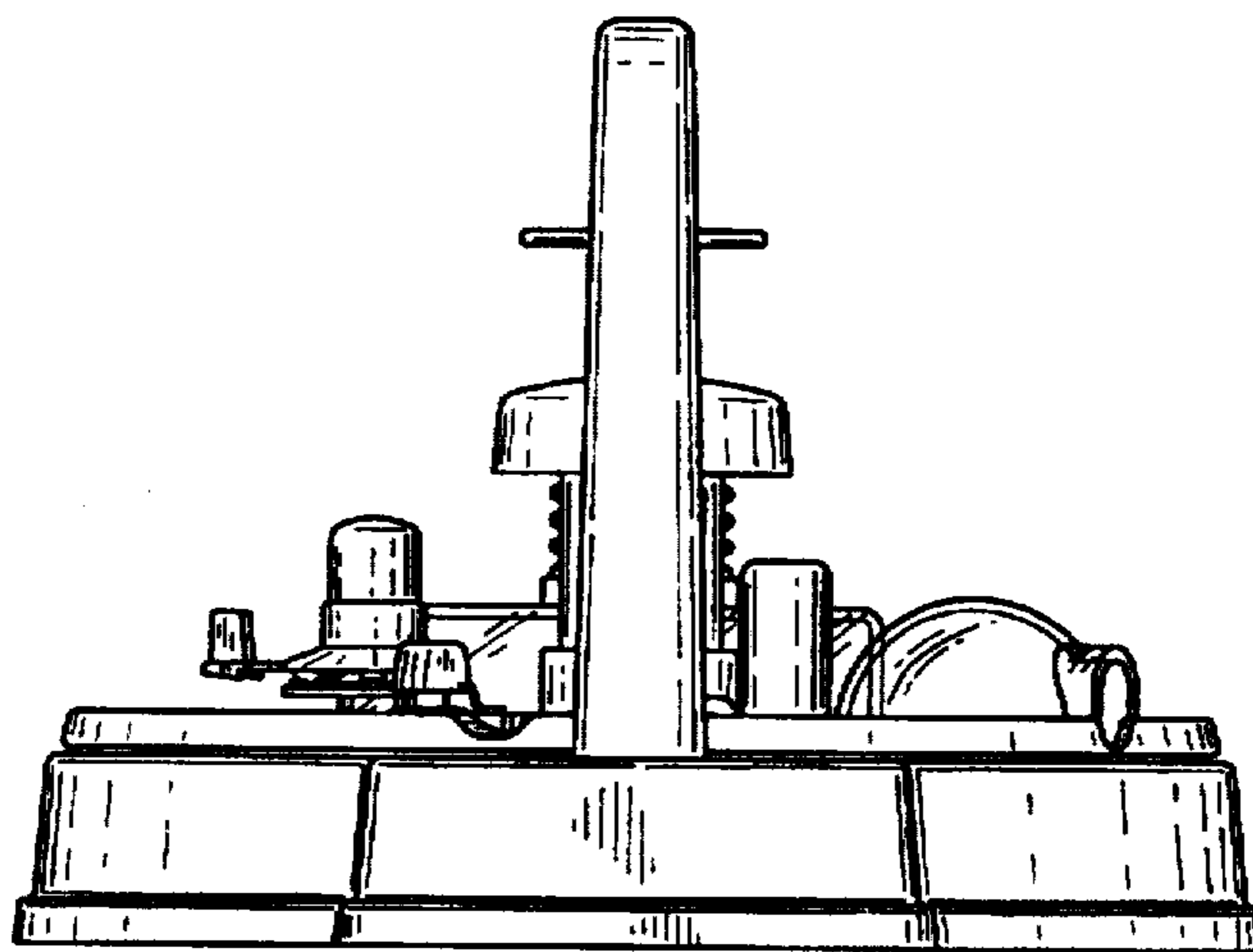


FIG. 7

