



US00D408468S

United States Patent [19]

[11] **Patent Number: Des. 408,468**

Saka

[45] **Date of Patent: **Apr. 20, 1999**

[54] **TOY UFO**

Attorney, Agent, or Firm—McGlew and Tuttle, P.C.

[75] **Inventor: Koji Saka, Kyoto, Japan**

[57] **CLAIM**

[73] **Assignee: Nippon Koso Yakuhin Co., Ltd., Kyoto, Japan**

The ornamental design for a toy UFO, as shown and described.

[**] **Term: 14 Years**

DESCRIPTION

[21] **Appl. No.: 29/090,537**

FIG. 1 is a top view of the toy UFO according to my new design;

[22] **Filed: Jul. 10, 1998**

FIG. 2 is a front view thereof;

[30] **Foreign Application Priority Data**

FIG. 3 is a right side view thereof, the left side view being substantially identical;

Jan. 13, 1998 [JP] Japan 10-780

FIG. 4 is a bottom view thereof;

[51] **LOC (6) Cl. 21-01**

FIG. 5 is a rear view thereof;

[52] **U.S. Cl. D21/451**

FIG. 6 is a cross-sectional view taken along the line 6—6, in FIG. 2;

[58] **Field of Search D12/325; D21/436, D21/447, 451; 446/34, 46**

FIG. 7 is a front view of a second embodiment of FIG. 1, the difference residing in the addition of a transparent surface in the top compartment; and,

[56] **References Cited**

FIG. 8 is a cross-sectional view taken in the direction of the arrows along line 8—8, of FIG. 7.

U.S. PATENT DOCUMENTS

- D. 179,435 12/1956 Apostolescu D12/325
- D. 215,971 11/1969 Rosta D12/325
- D. 224,549 8/1972 Swarthout D12/325 X
- D. 326,873 6/1992 Chang D21/451

The figure shown in broken lines in FIGS. 7 and 8, and the bathing agent show in broken lines in FIG. 8, are for illustrative purposes only and form no part of the claimed design.

Primary Examiner—Dominic Simone

1 Claim, 4 Drawing Sheets

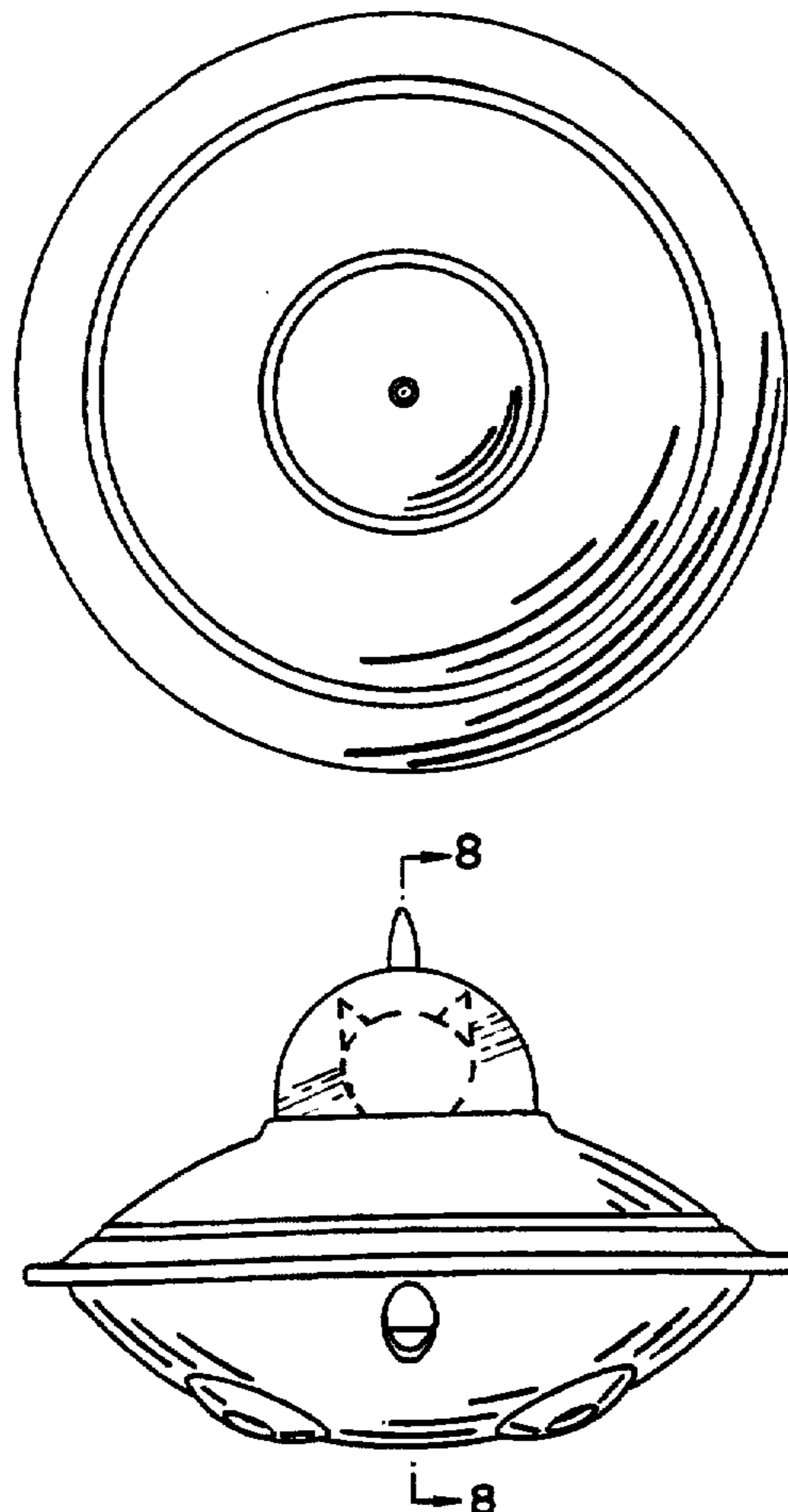


FIGURE 1

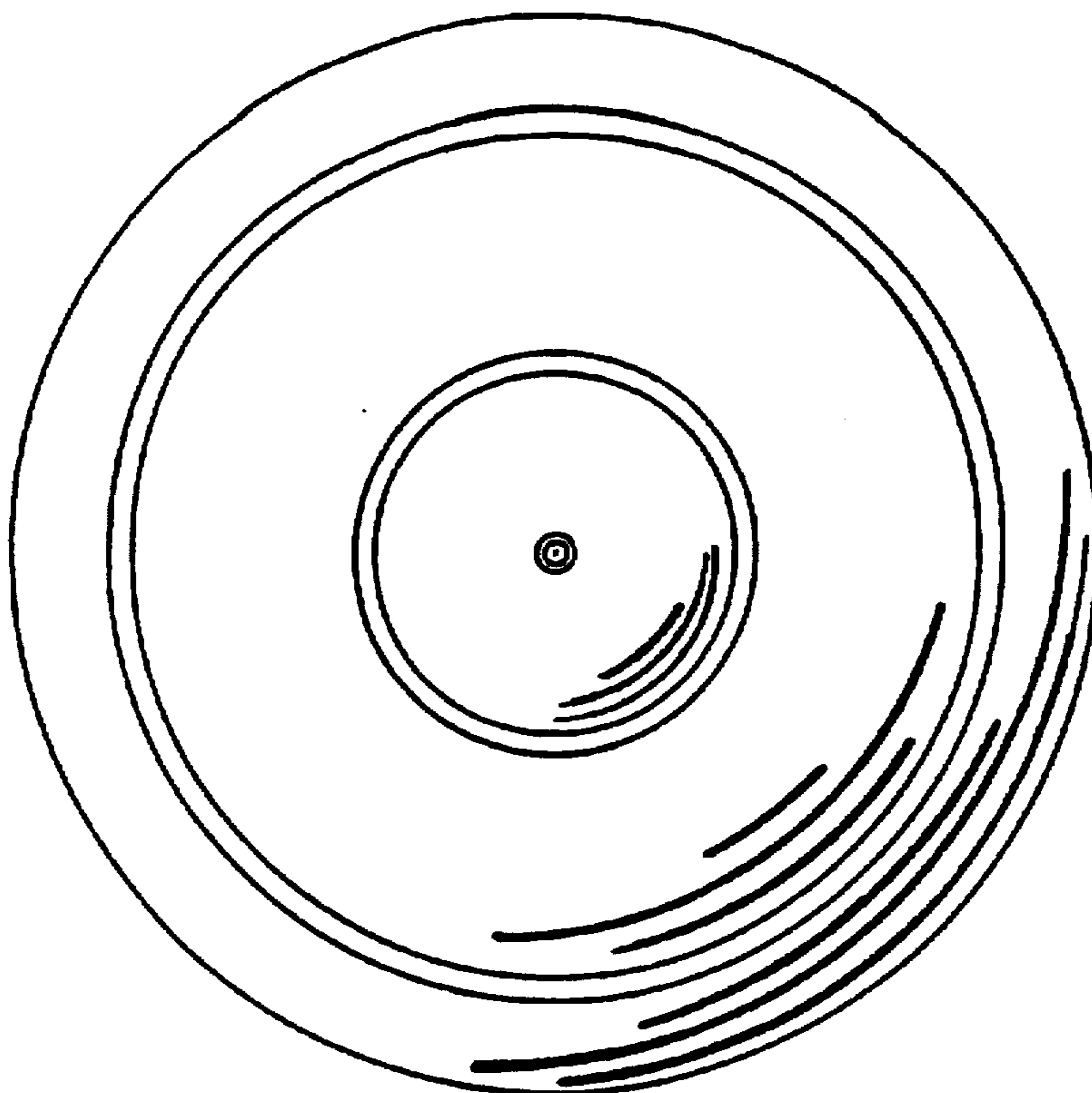


FIGURE 2

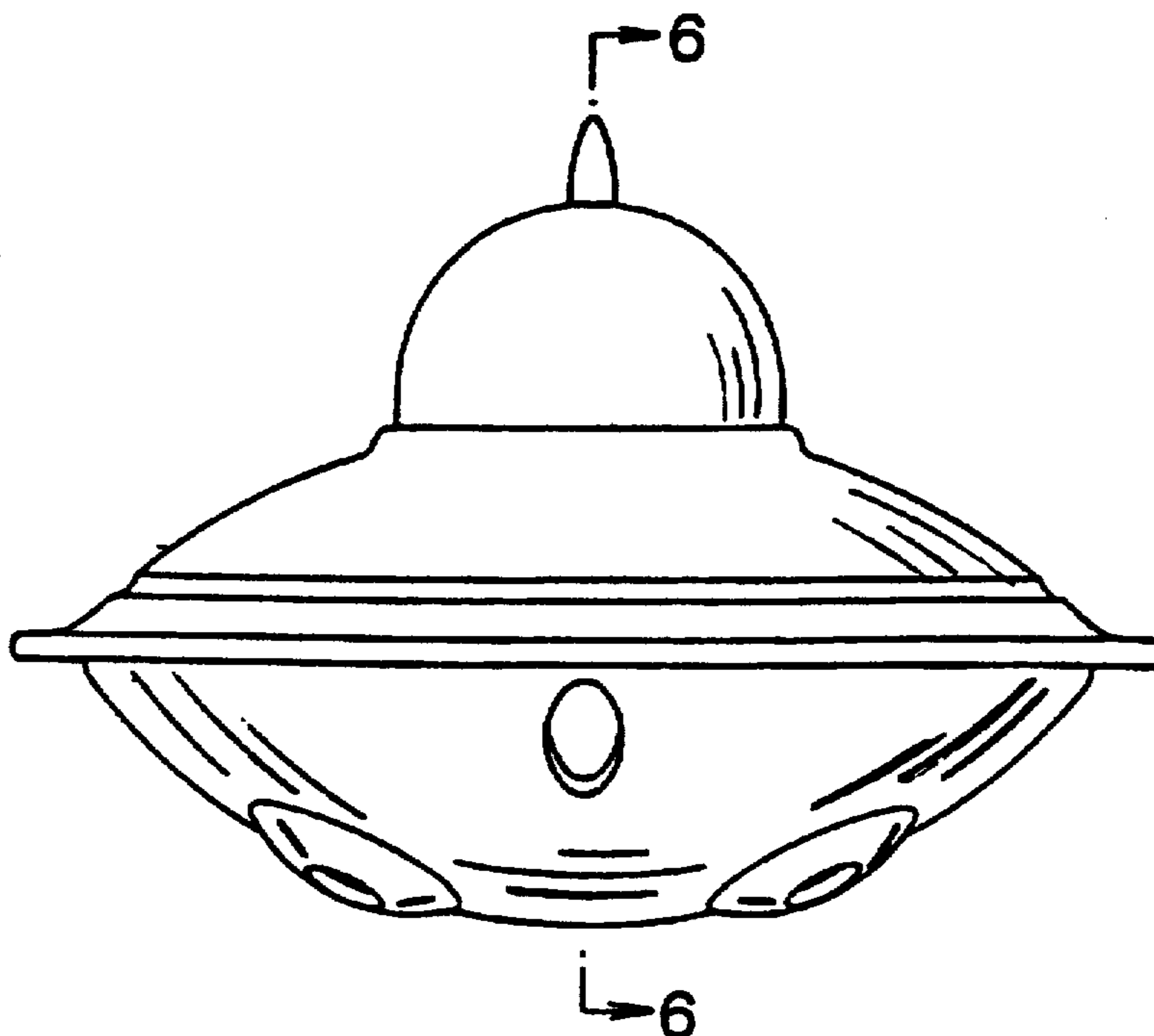


FIGURE 3

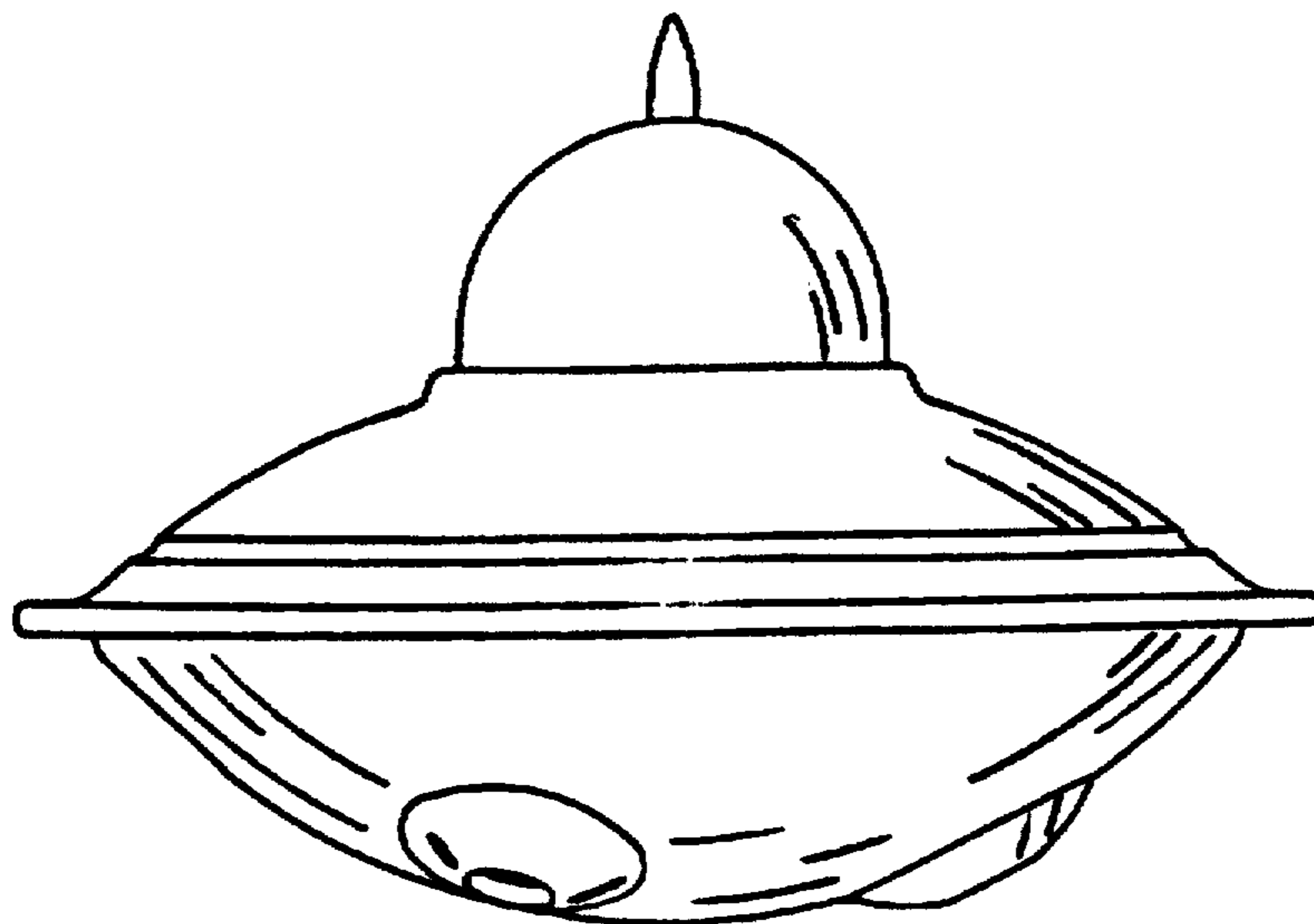


FIGURE 6

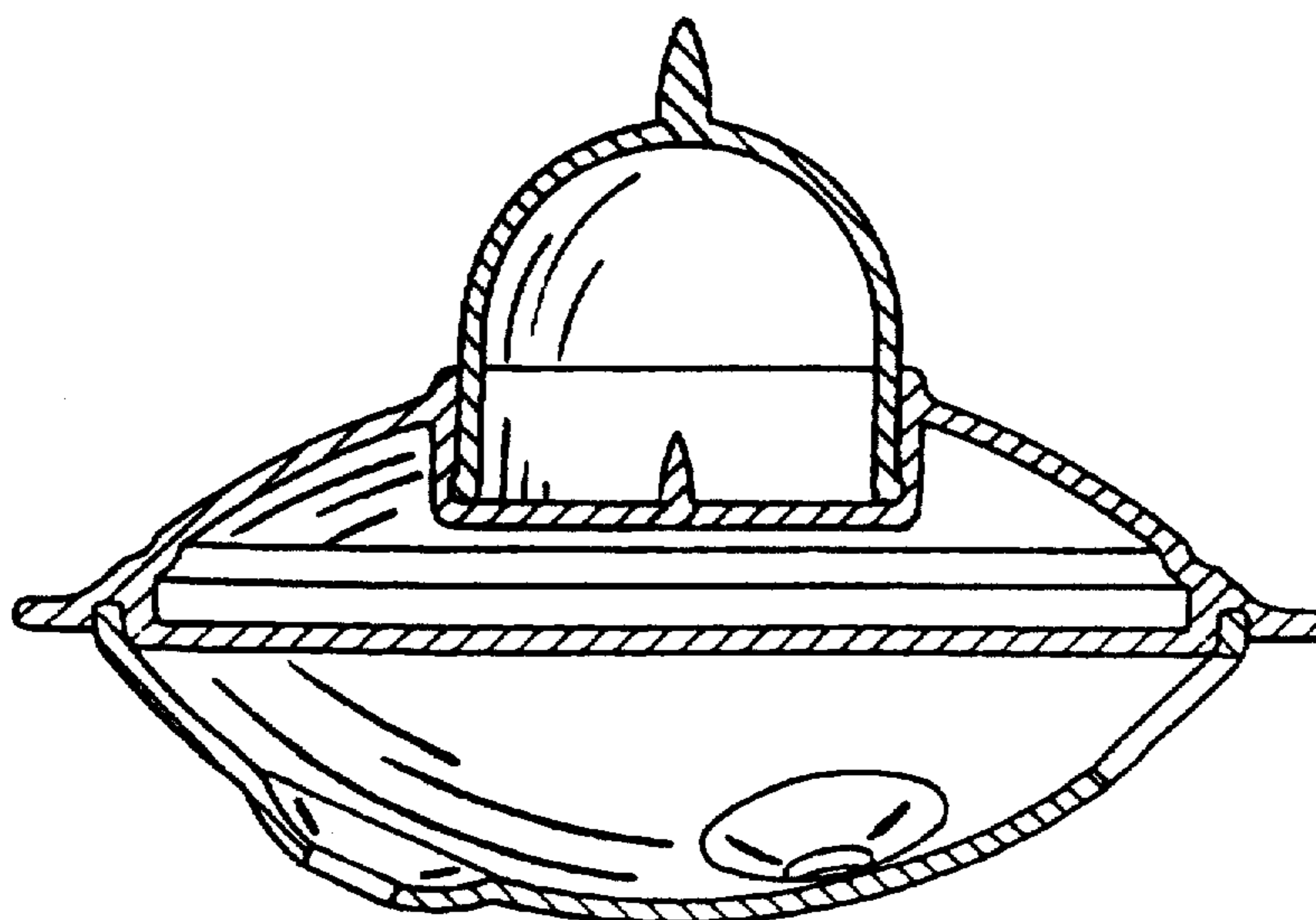


FIGURE 4

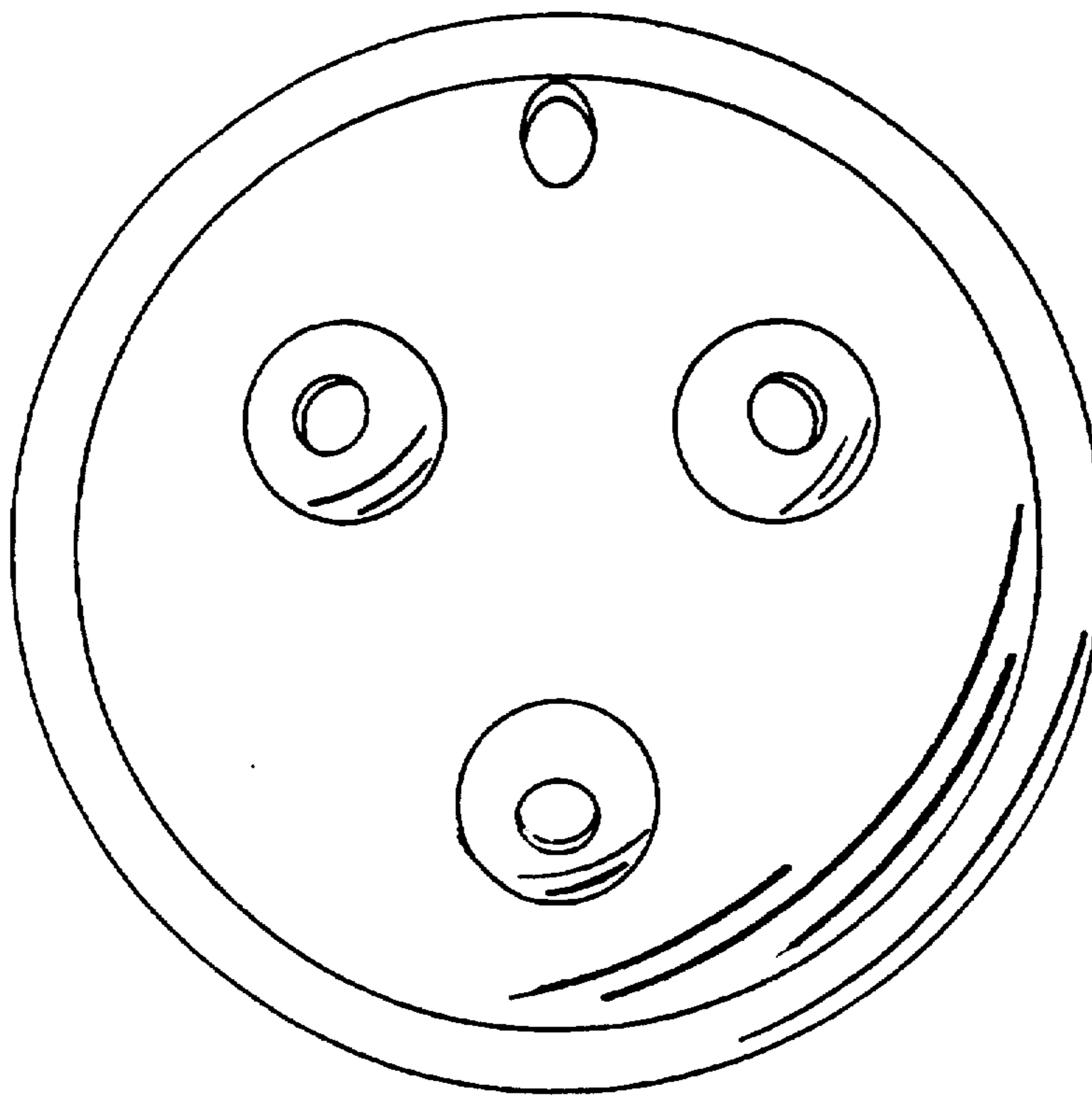


FIGURE 5

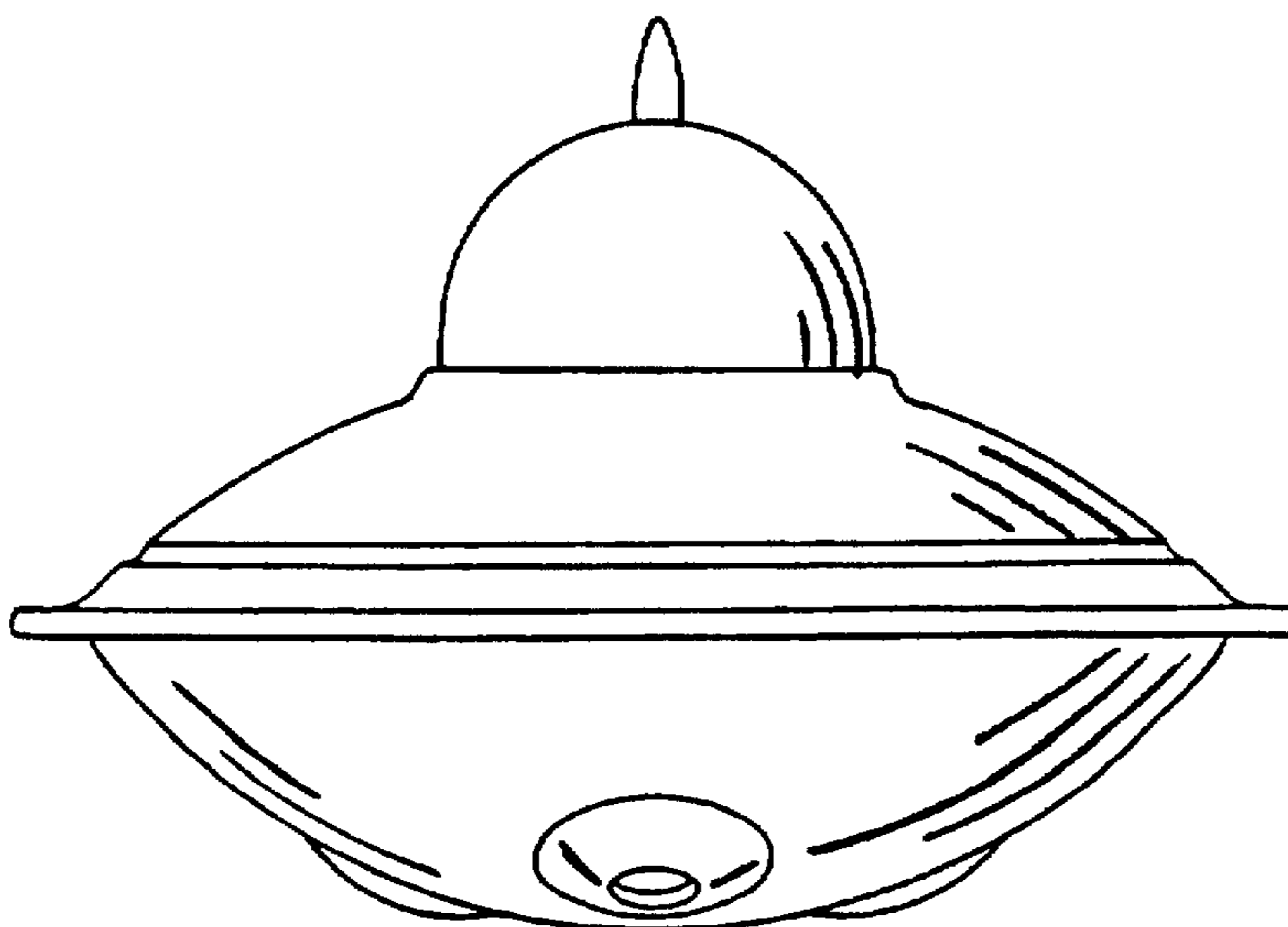


FIGURE 7

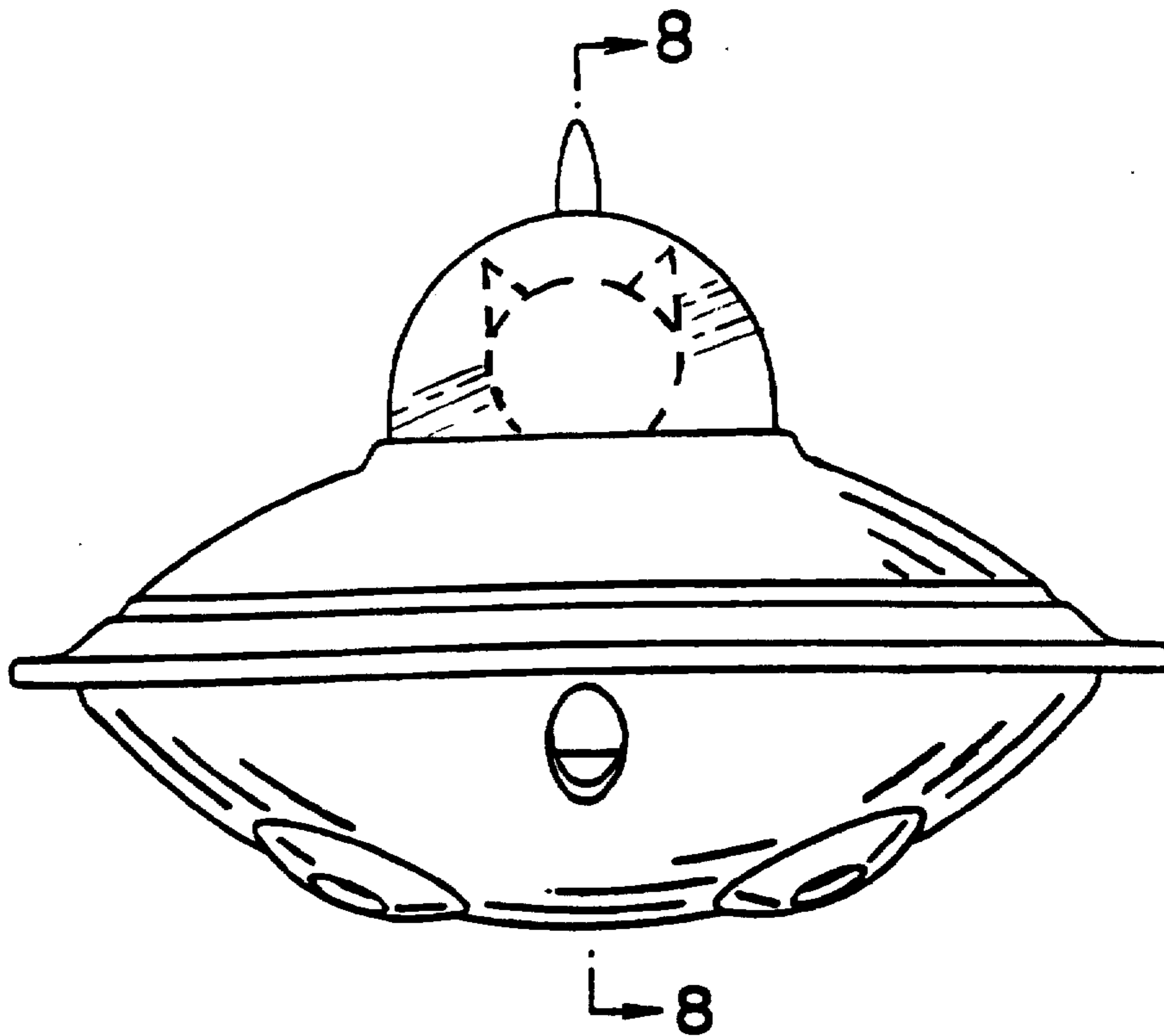


FIGURE 8

