



US00D408462S

**United States Patent** [19]  
**Frycz**

[11] **Patent Number:** **Des. 408,462**  
[45] **Date of Patent:** **\*\*Apr. 20, 1999**

[54] **BEANBAG TOSSING GAME TARGET**

5,056,796 10/1991 Conville ..... 273/402  
5,533,734 7/1996 Husk ..... 273/402  
5,575,480 11/1996 Wehr ..... 273/402

[76] **Inventor:** **Darren Frycz**, 119-19528 Fraser Hwy.,  
Surrey, British Columbia, Canada, V3S  
8P4

*Primary Examiner*—Prabhakar G. Deshmukh

[\*\*] **Term:** **14 Years**

[57] **CLAIM**

[21] **Appl. No.:** **29/075,558**

The ornamental design for a beanbag tossing game target, as shown.

[22] **Filed:** **Aug. 21, 1997**

**DESCRIPTION**

[51] **LOC (6) Cl.** ..... **21-01**

FIG. 1 is a left side plan view of the beanbag tossing game target of the present invention;

[52] **U.S. Cl.** ..... **D21/303**

FIG. 2 is a right side plan view of the beanbag tossing game target of FIG. 1;

[58] **Field of Search** ..... **D21/303, 302;**

**273/402, 398, 407, 415**

FIG. 3 is a front plan view of the beanbag tossing game target of FIG. 1;

[56] **References Cited**

**U.S. PATENT DOCUMENTS**

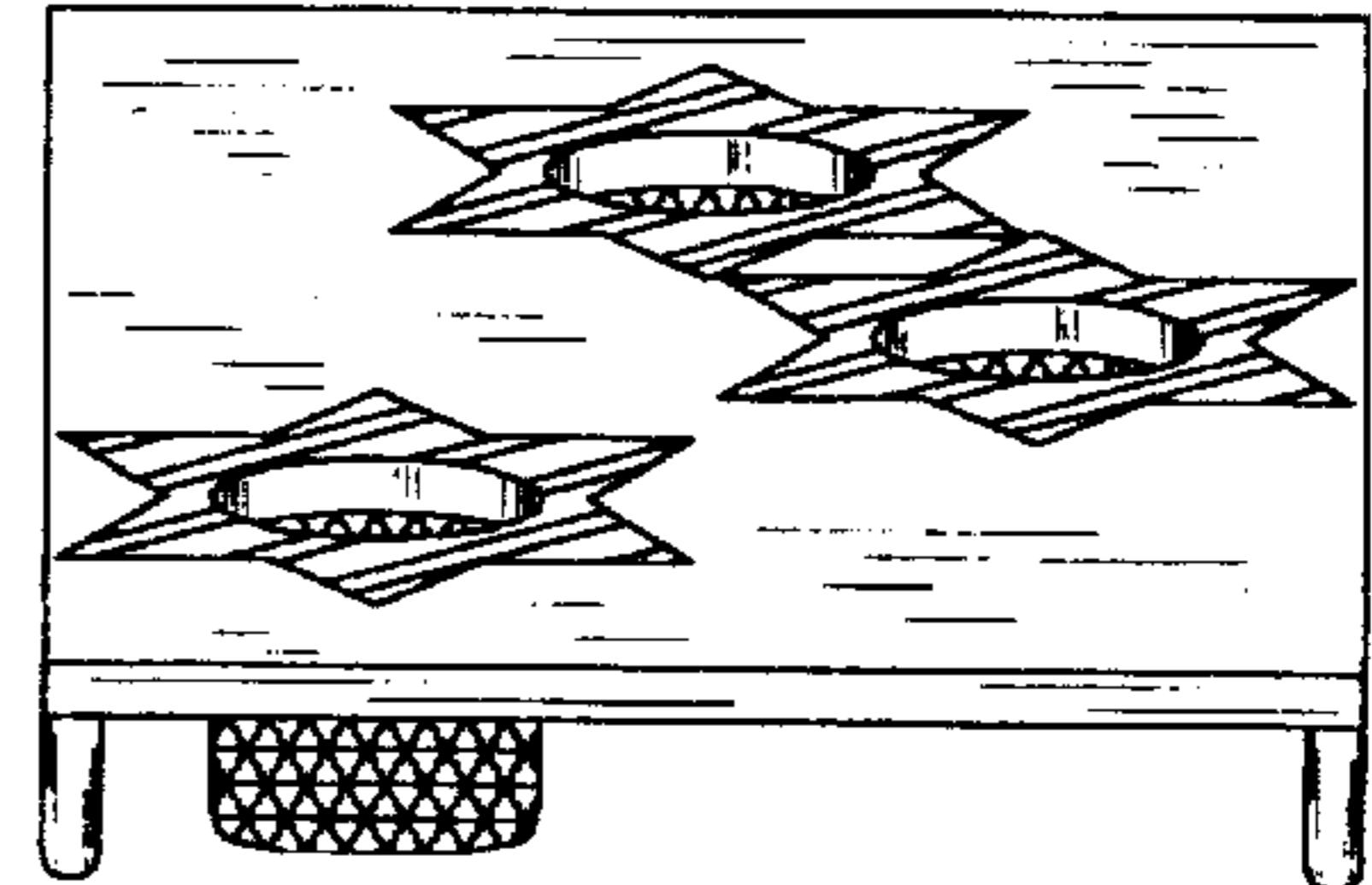
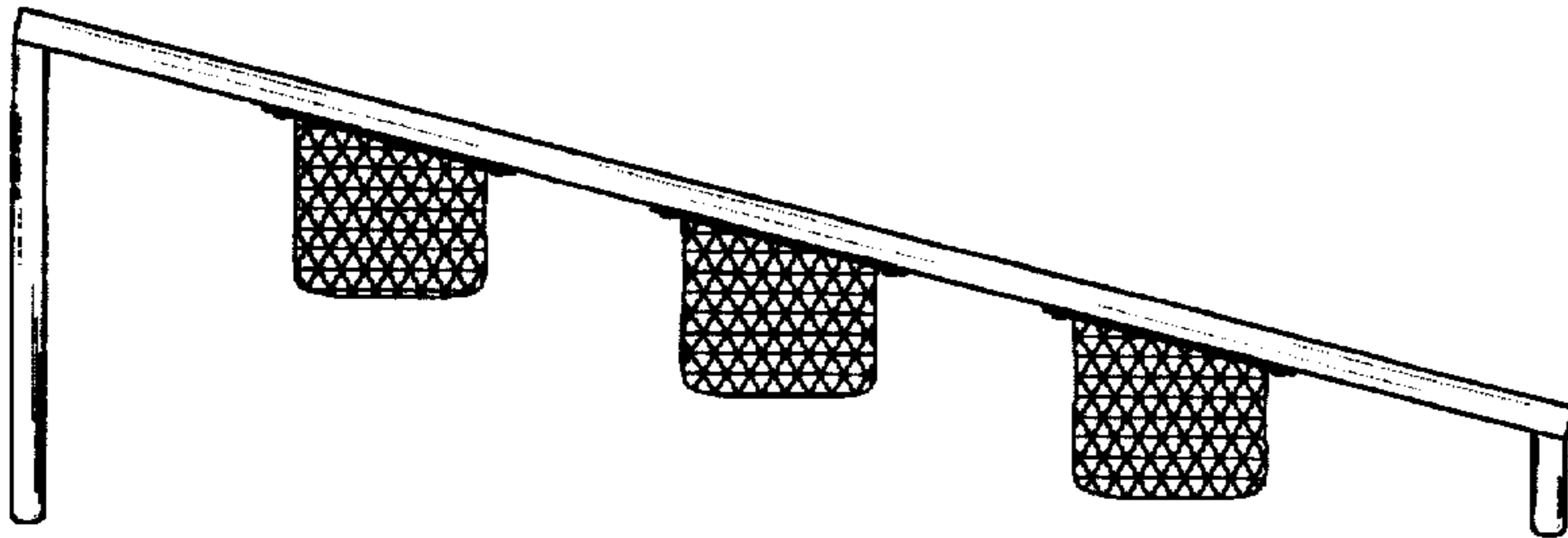
D. 340,082 10/1993 De Lapa ..... D21/303  
D. 363,953 11/1995 Buse ..... D21/303  
D. 369,188 4/1996 Briggs ..... D21/303  
3,837,650 9/1974 Haney ..... 273/402  
4,943,065 7/1990 De Lapa ..... 273/402  
5,050,889 9/1991 Walker ..... 273/402

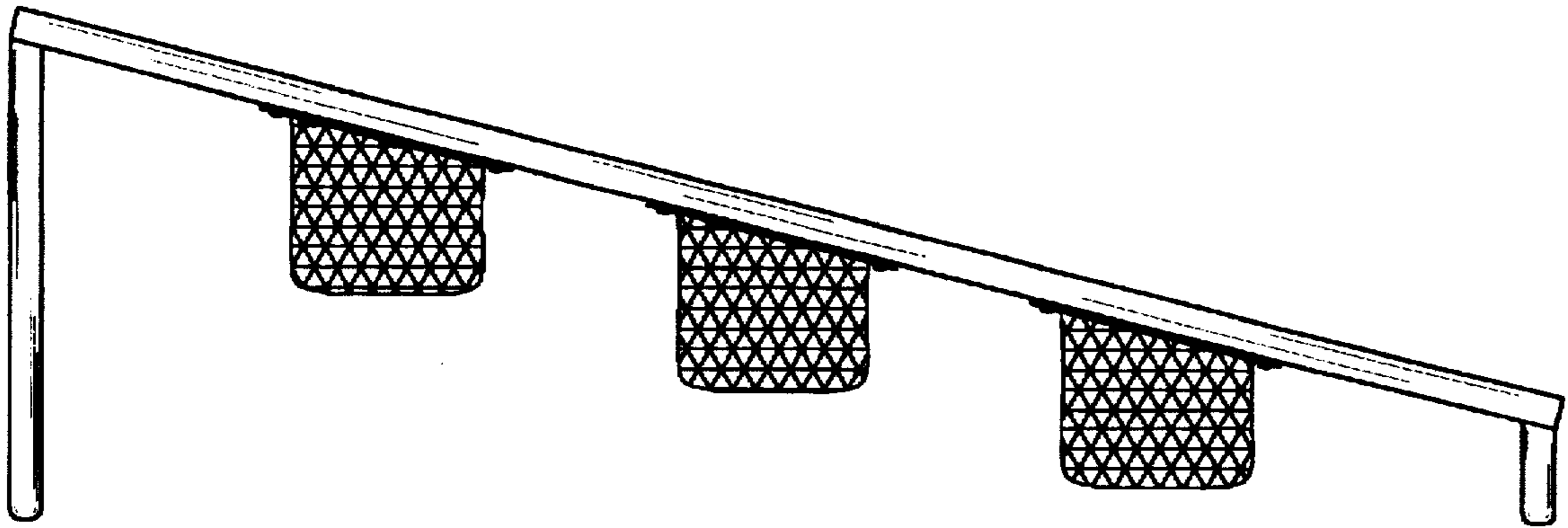
FIG. 4 is a back plan view of the beanbag tossing game target of FIG. 1;

FIG. 5 is a top plan view of the beanbag tossing game target of FIG. 1; and,

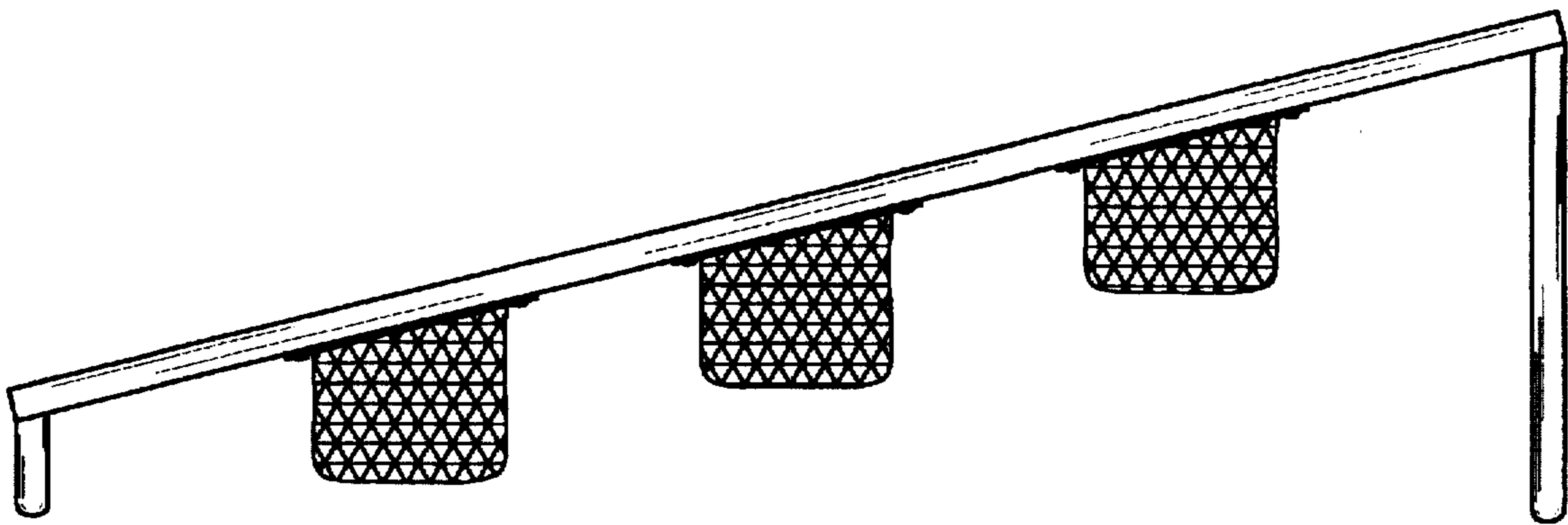
FIG. 6 is a bottom plan view of the beanbag tossing game target of FIG. 1.

**1 Claim, 3 Drawing Sheets**

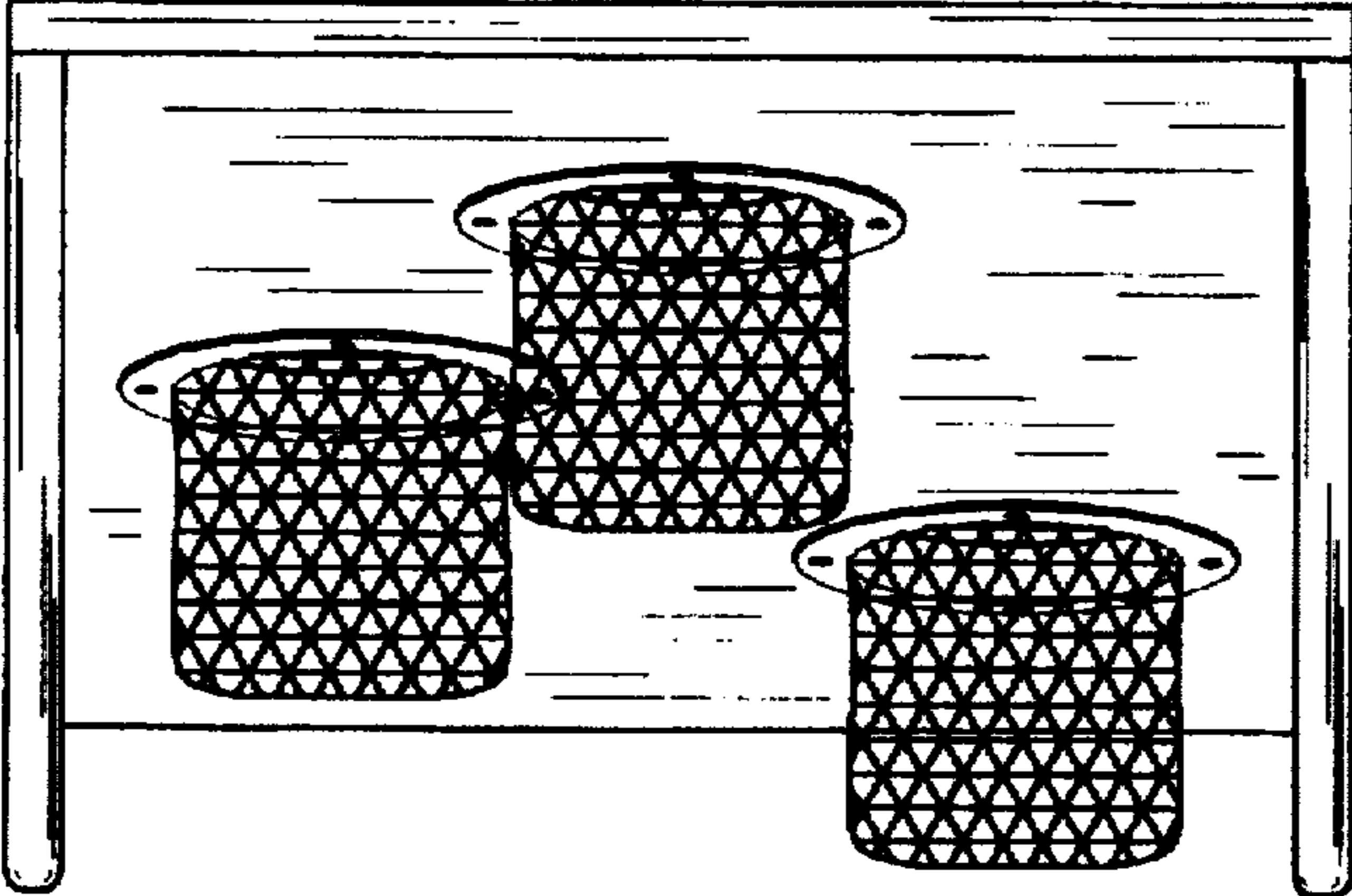




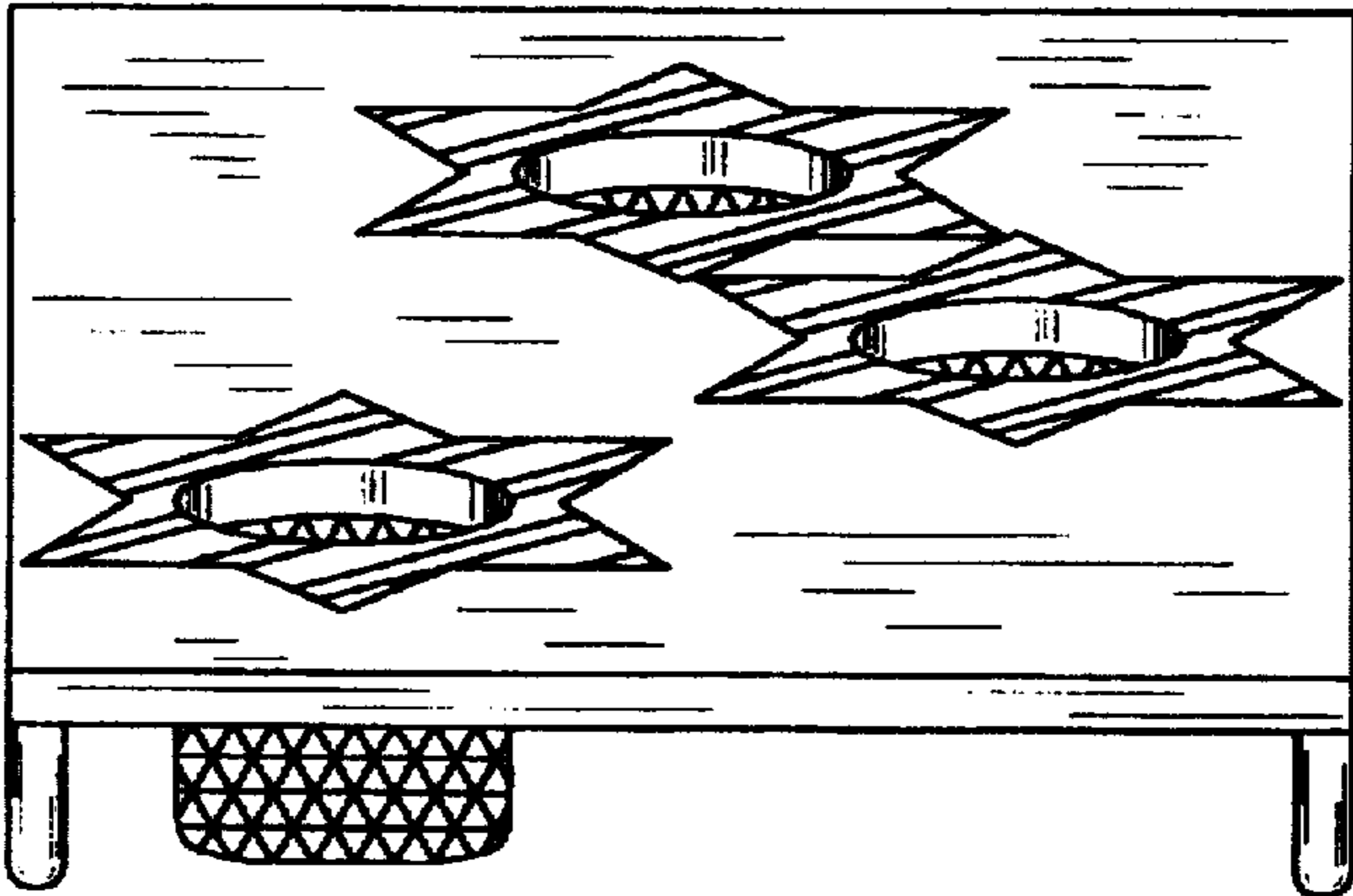
*Fig. 1*



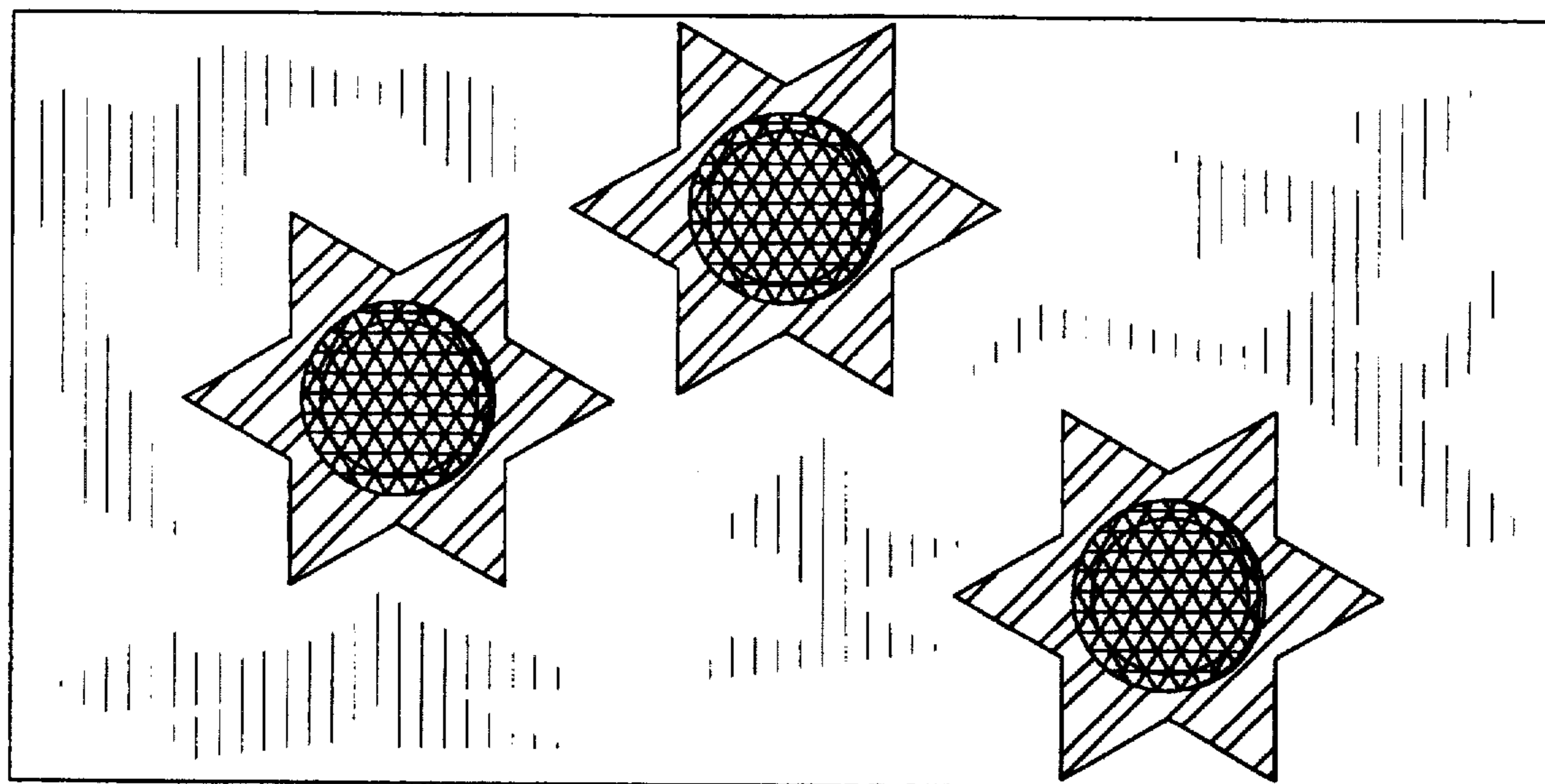
*Fig. 2*



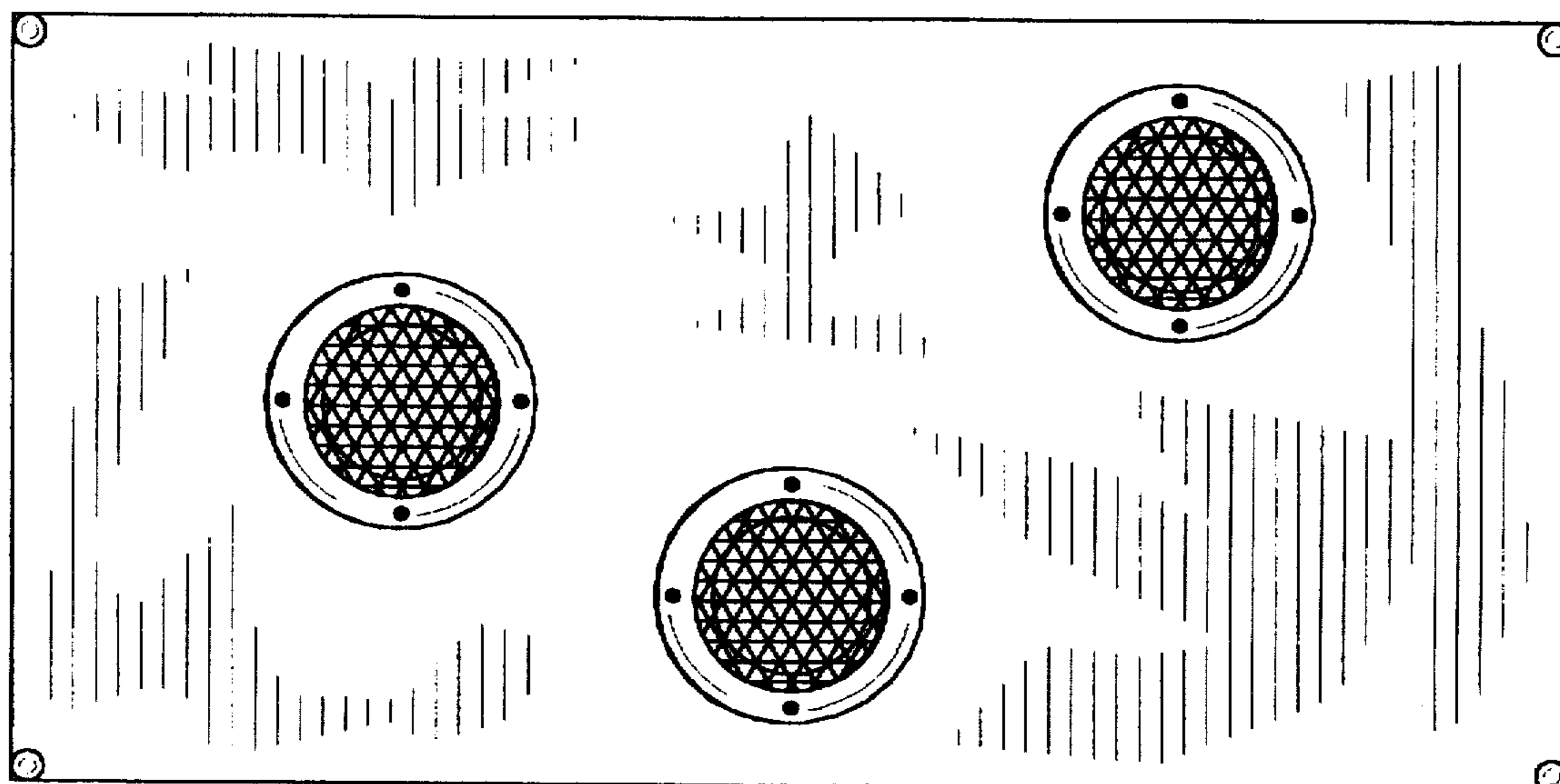
*Fig. 3*



*Fig. 4*



*Fig. 5*



*Fig. 6*