



US00D408459S

United States Patent [19]

[11] Patent Number: Des. 408,459

Schwarz

[45] Date of Patent: **Apr. 20, 1999

[54] SIMULATED HOCKEY GAME APPARATUS

4,256,306 3/1981 Gross et al. 273/85

[75] Inventor: Magic Schwarz, Pompano Beach, Fla.

4,872,679 10/1989 Bohaski et al. 273/85

[73] Assignee: Jimmy Rowan, Palm Beach, Fla.

5,074,556 12/1991 Loeppky et al. 273/108.5

[**] Term: 14 Years

5,417,421 5/1995 Bagley 273/108.5

5,785,615 7/1998 Kosmalski 273/108.5 X

Primary Examiner—Prabhakar G. Deshmukh
Attorney, Agent, or Firm—Quarles & Brady LLP

[21] Appl. No.: 29/073,608

[57] CLAIM

[22] Filed: Jul. 11, 1997

The ornamental design for a simulated hockey game apparatus, as shown and described.

[51] LOC (6) Cl. 21-01

DESCRIPTION

[52] U.S. Cl. D21/318

[58] Field of Search D21/318, 313,
D21/314, 328; 273/108.1, 108.5, 108.52,
317.1, 317, 118 R, 110

FIG. 1 is a front top perspective of a simulated hockey game apparatus showing my new design, the rear top perspective being identical thereto;

FIG. 2 is a top plan;

FIG. 3 is a right side elevation, the left side elevation being identical thereto;

FIG. 4 is a front elevation, the rear elevation being identical thereto; and,

FIG. 5 is a section view taken along line 5—5 in FIG. 2, showing a front elevation of the elevation of the partition shown in FIGS. 1-2, the rear elevation of the partition being identical thereto.

The bottom is flat and unornamented.

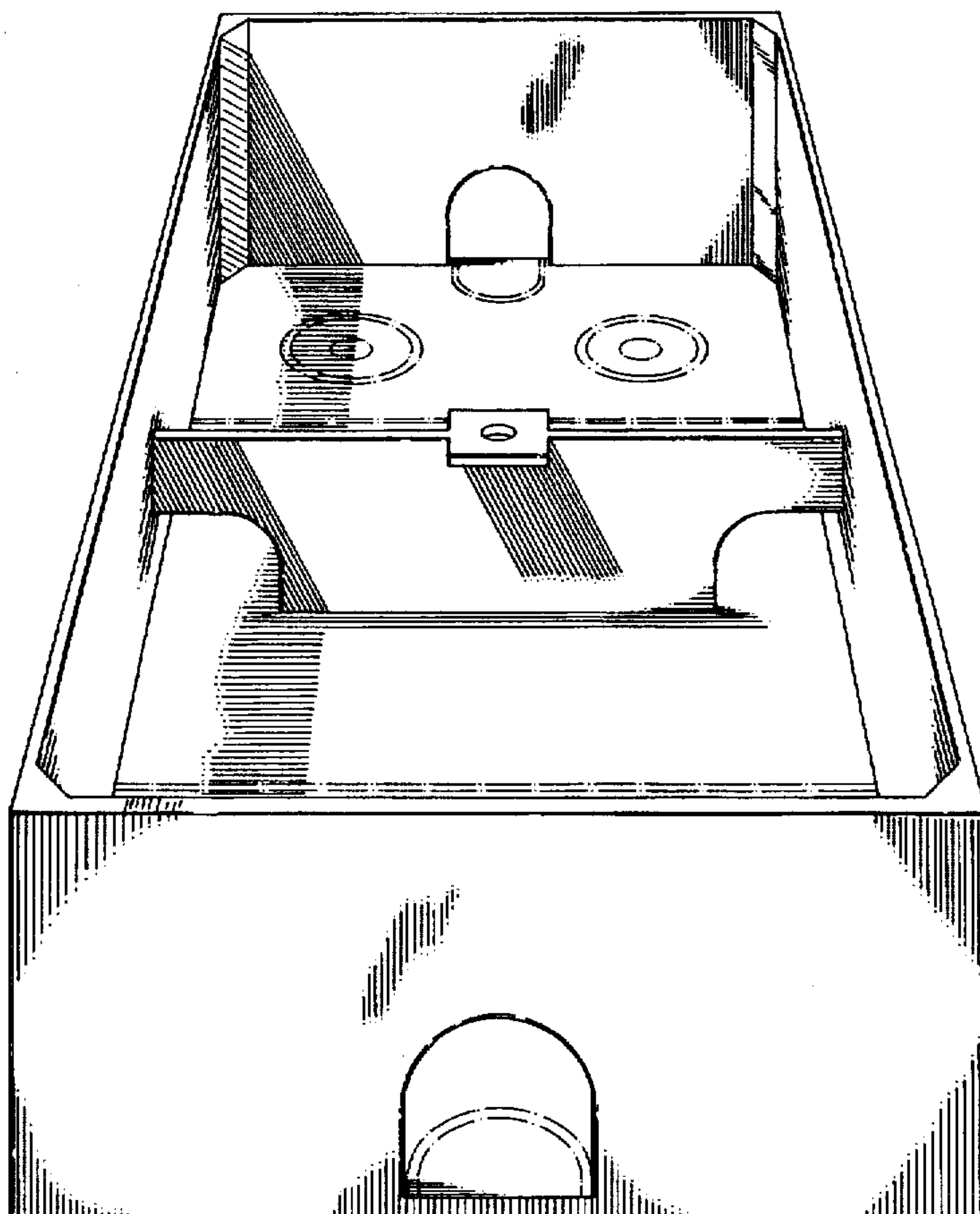
The broken line showing of printed game indicia is for illustrative purpose only and forms no part of the claim.

[56] References Cited

U.S. PATENT DOCUMENTS

D. 167,066	6/1952	Bronson	D21/312
D. 231,843	6/1974	Tuschak et al.	D21/318
D. 245,718	9/1977	Maloney, II	D21/318
D. 294,720	3/1988	MacDowell	D21/318
D. 347,026	5/1994	Young	D21/318
1,593,421	7/1926	Blum	273/118 R X
2,180,123	11/1939	Smith	273/110 X
2,252,451	8/1941	Anderson	273/108
2,468,194	4/1949	Hall	273/108
3,106,401	10/1963	Moran	273/108
4,176,842	12/1979	Zaldivar	273/108.1

1 Claim, 3 Drawing Sheets



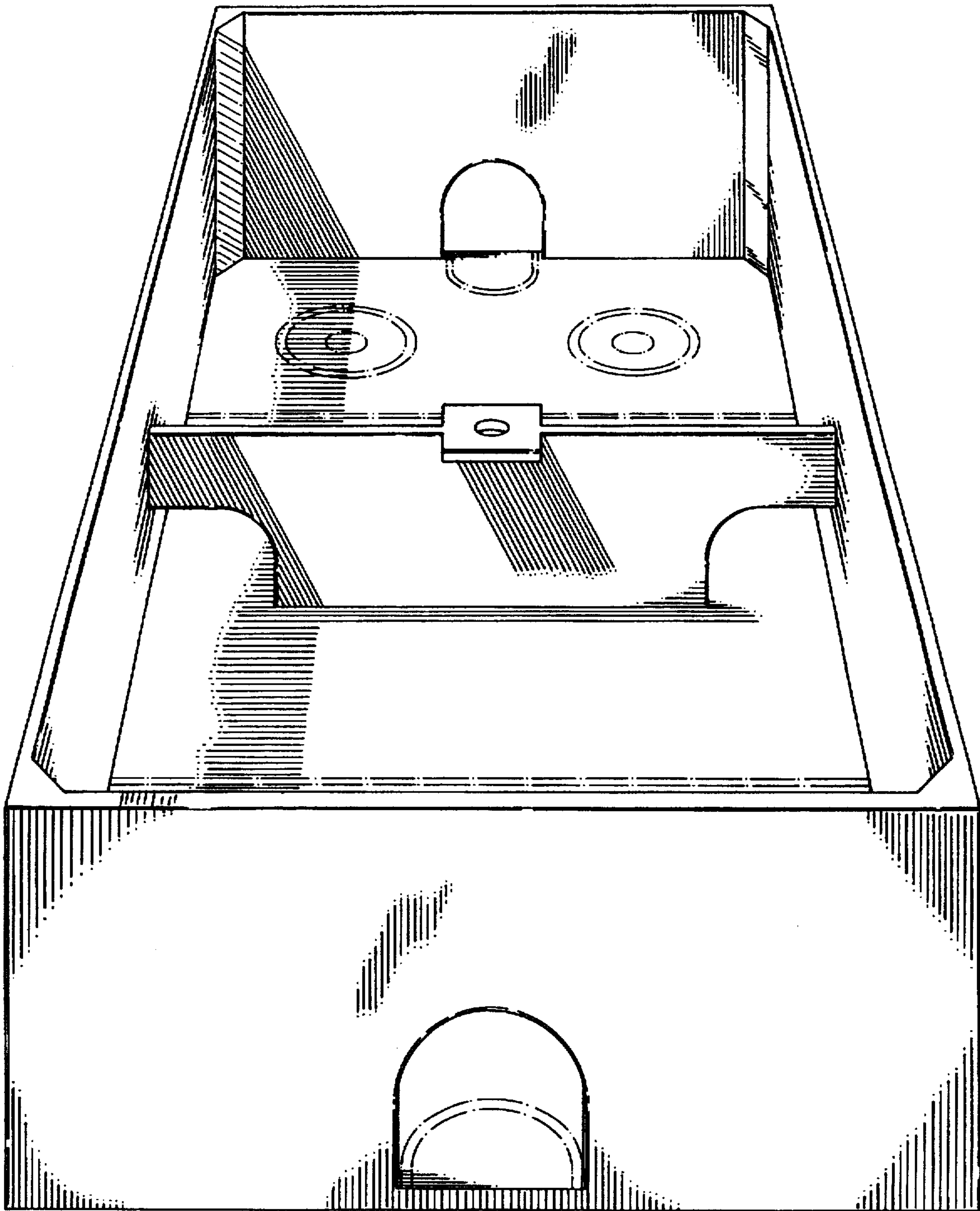


FIG. 1

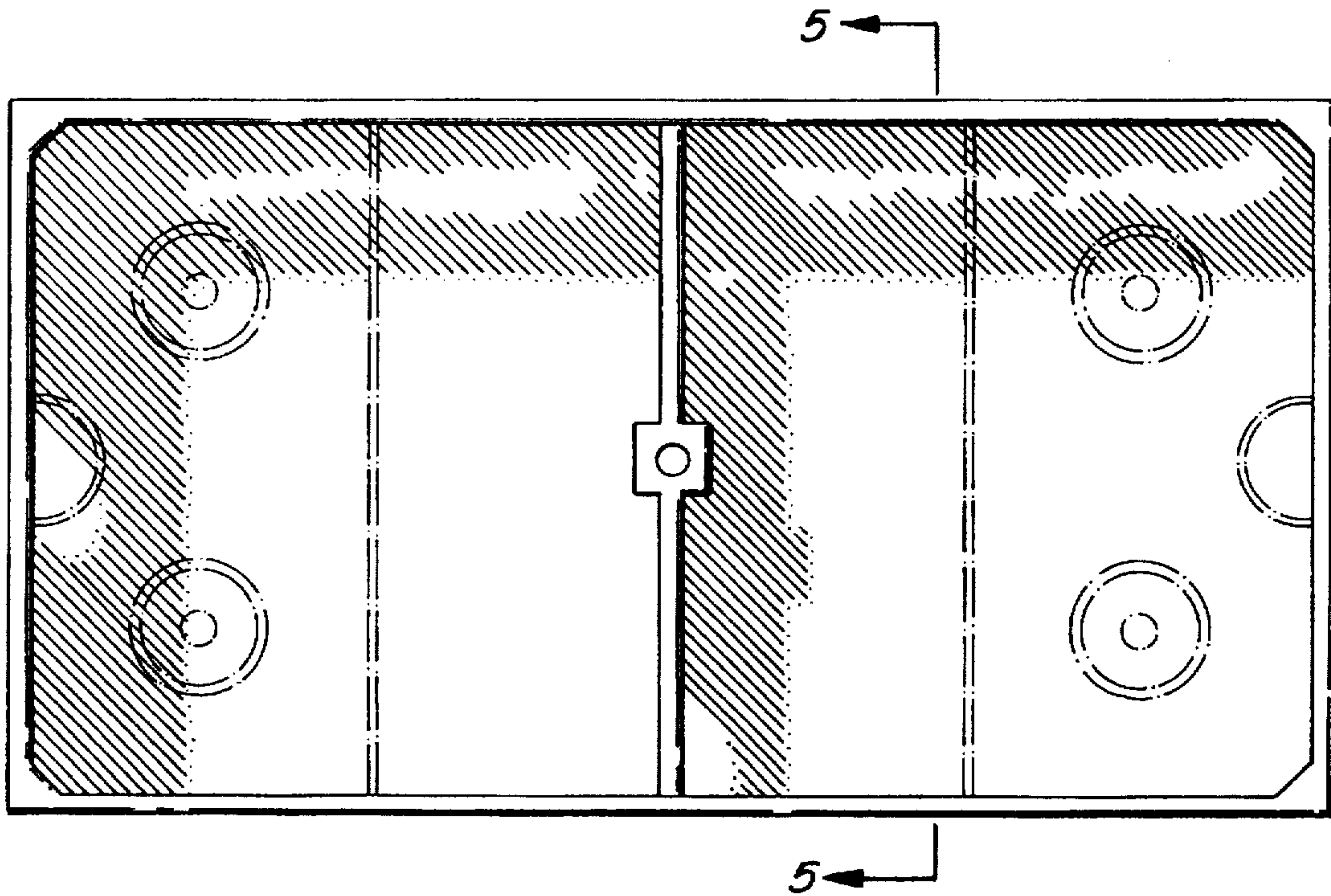


FIG. 2

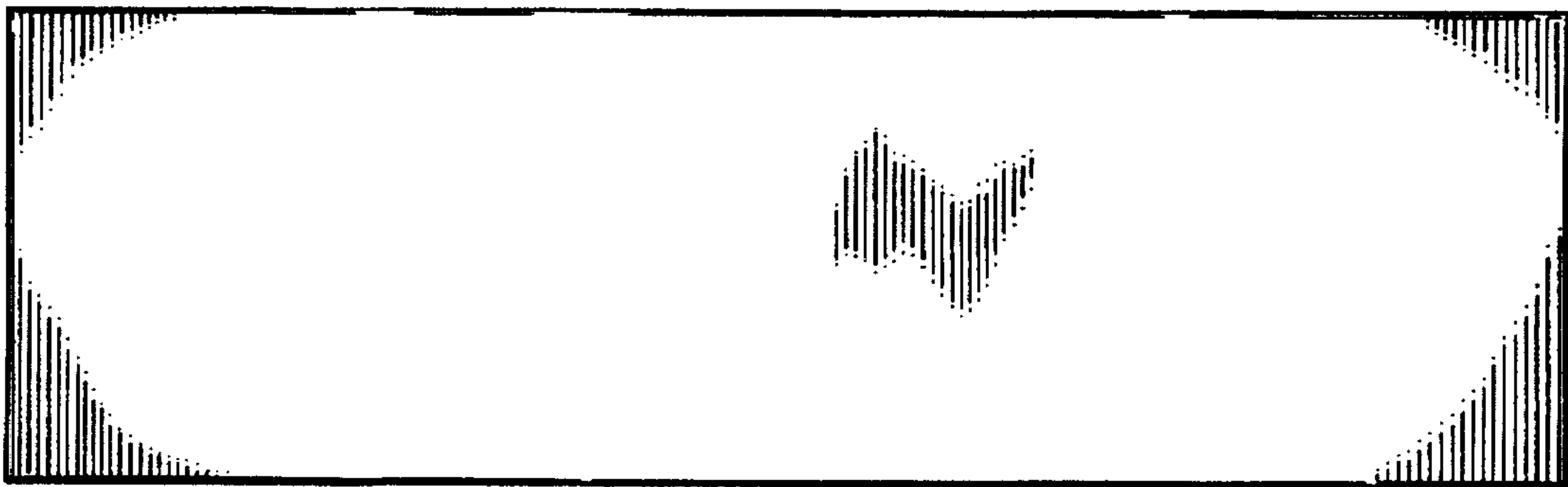


FIG. 3

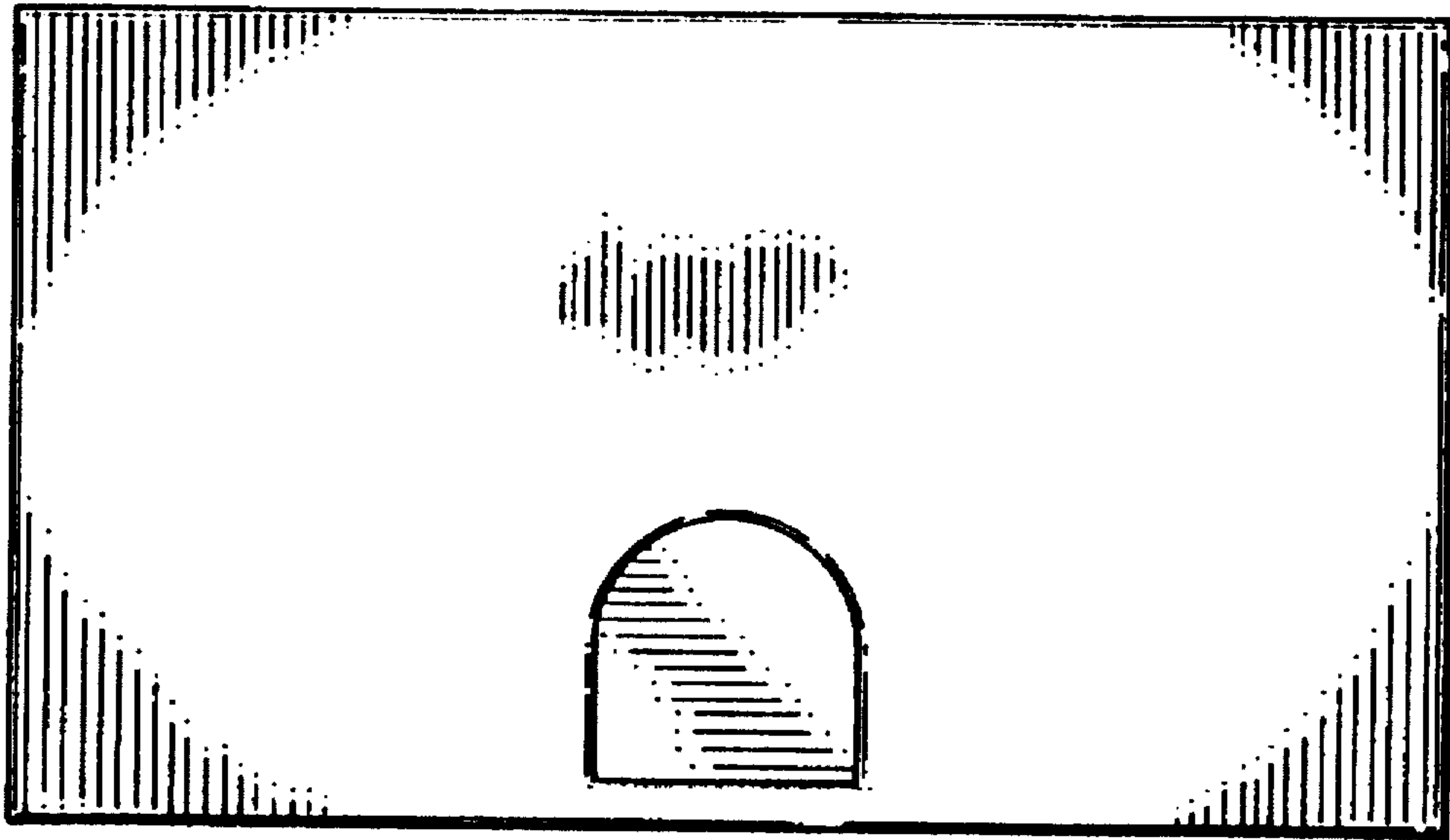


FIG. 4

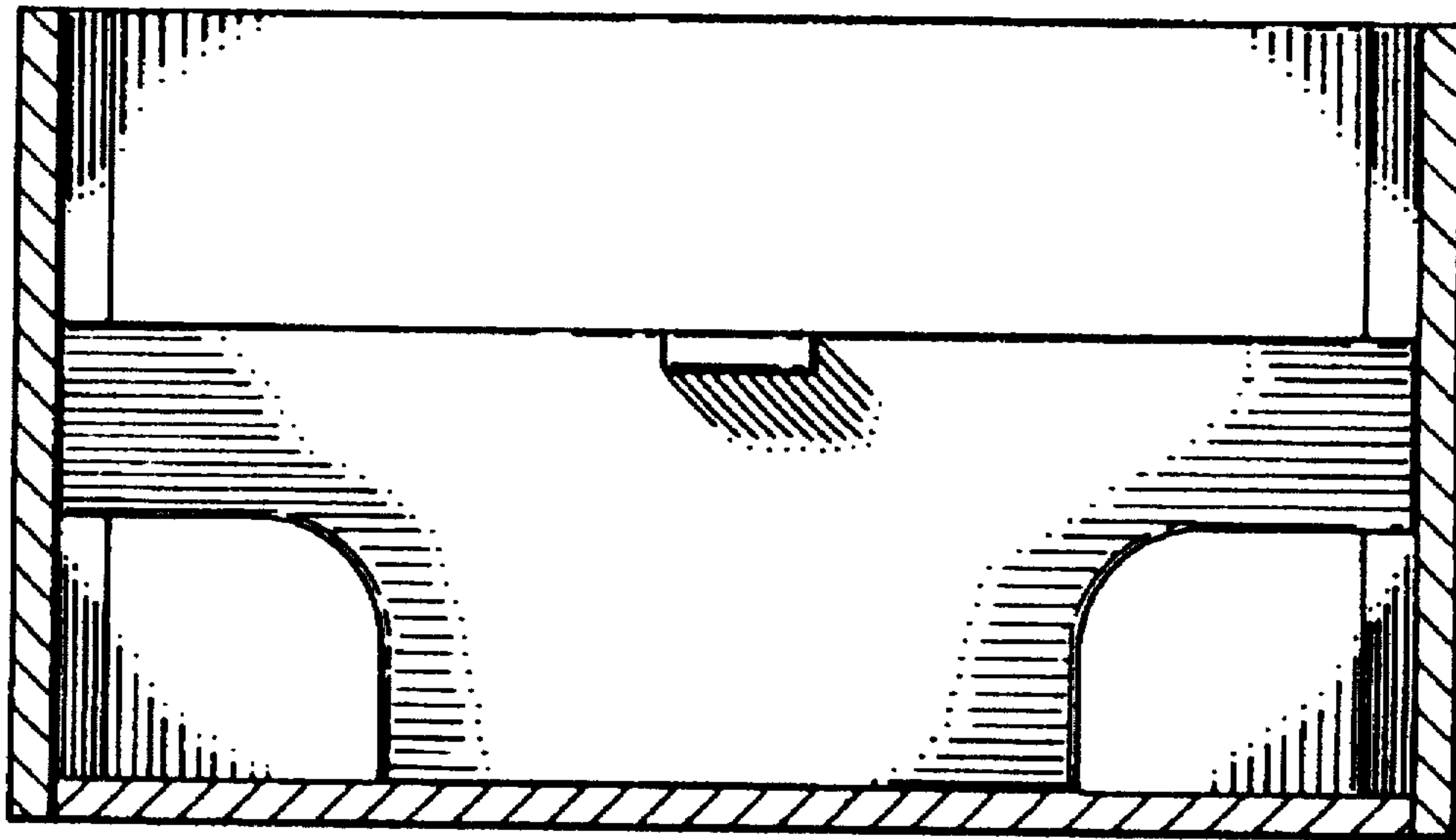


FIG. 5