



US00D408455S

**United States Patent** [19]  
**Guy et al.**

[11] **Patent Number: Des. 408,455**  
[45] **Date of Patent: \*\*Apr. 20, 1999**

[54] **REVOLVING DESKTOP CONTAINER**  
[75] **Inventors: Phyllis K. Guy, Delray Beach; Marco Ramaciere, Seminole, both of Fla.**  
[73] **Assignee: Levenger Company, Delray Beach, Fla.**  
[\*\*] **Term: 14 Years**

D. 329,876 9/1992 Breen ..... D19/75  
D. 358,423 5/1995 Butz ..... D19/77  
1,092,156 4/1914 Mathis ..... 211/69.1  
1,521,951 1/1925 Hill ..... 206/86  
5,009,336 4/1991 Liaue ..... 206/214 X  
5,487,466 1/1996 Robson ..... 206/214

*Primary Examiner—Martie K. Holtje*  
*Attorney, Agent, or Firm—Quarles & Brady*

[21] **Appl. No.: 29/093,546**  
[22] **Filed: Sep. 14, 1998**

[57] **CLAIM**

The design for a revolving desktop container, as shown and described.

[51] **LOC (6) CL ..... 79-02**  
[52] **U.S. Cl. .... D19/78; D19/75; D19/85; D19/95**  
[58] **Field of Search ..... D19/35, 36, 65, D19/75, 77, 78, 80, 81-85, 95, 99, 100; 211/69.1-69.9, 69; 206/214, 86, 224, 371, 804**

**DESCRIPTION**

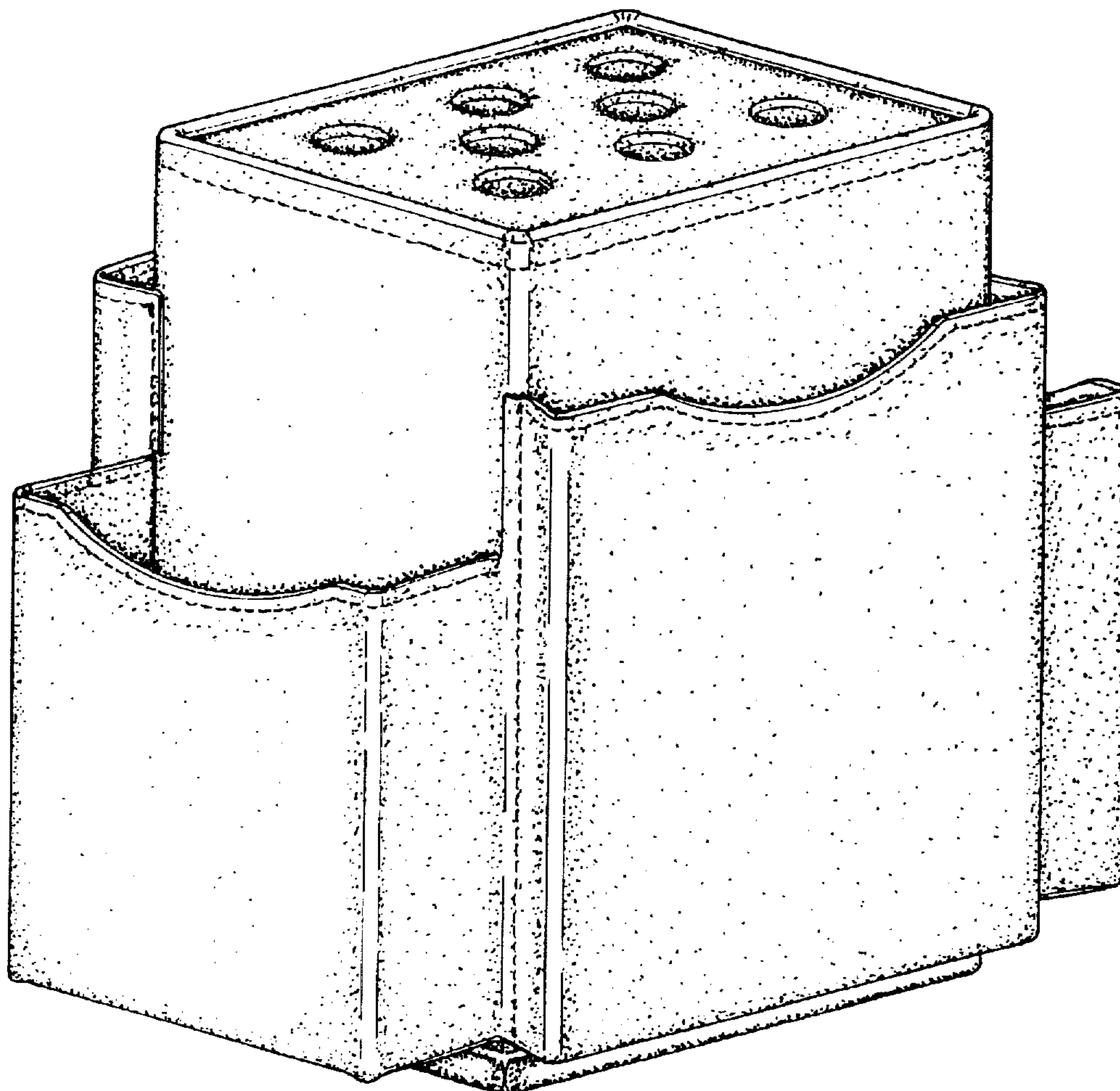
FIG. 1 is a perspective view.  
FIG. 2 is a front elevation view, the rear elevation view being substantially a mirror image thereof.  
FIG. 3 is a left side elevation view, the opposite side elevation view beng substantially a mirror image thereof.  
FIG. 4 is a top plan view; and,  
FIG. 5 is a bottom plan view.

[56] **References Cited**

**U.S. PATENT DOCUMENTS**

D. 302,908 8/1989 Hwang ..... D19/77 X

**1 Claim, 2 Drawing Sheets**



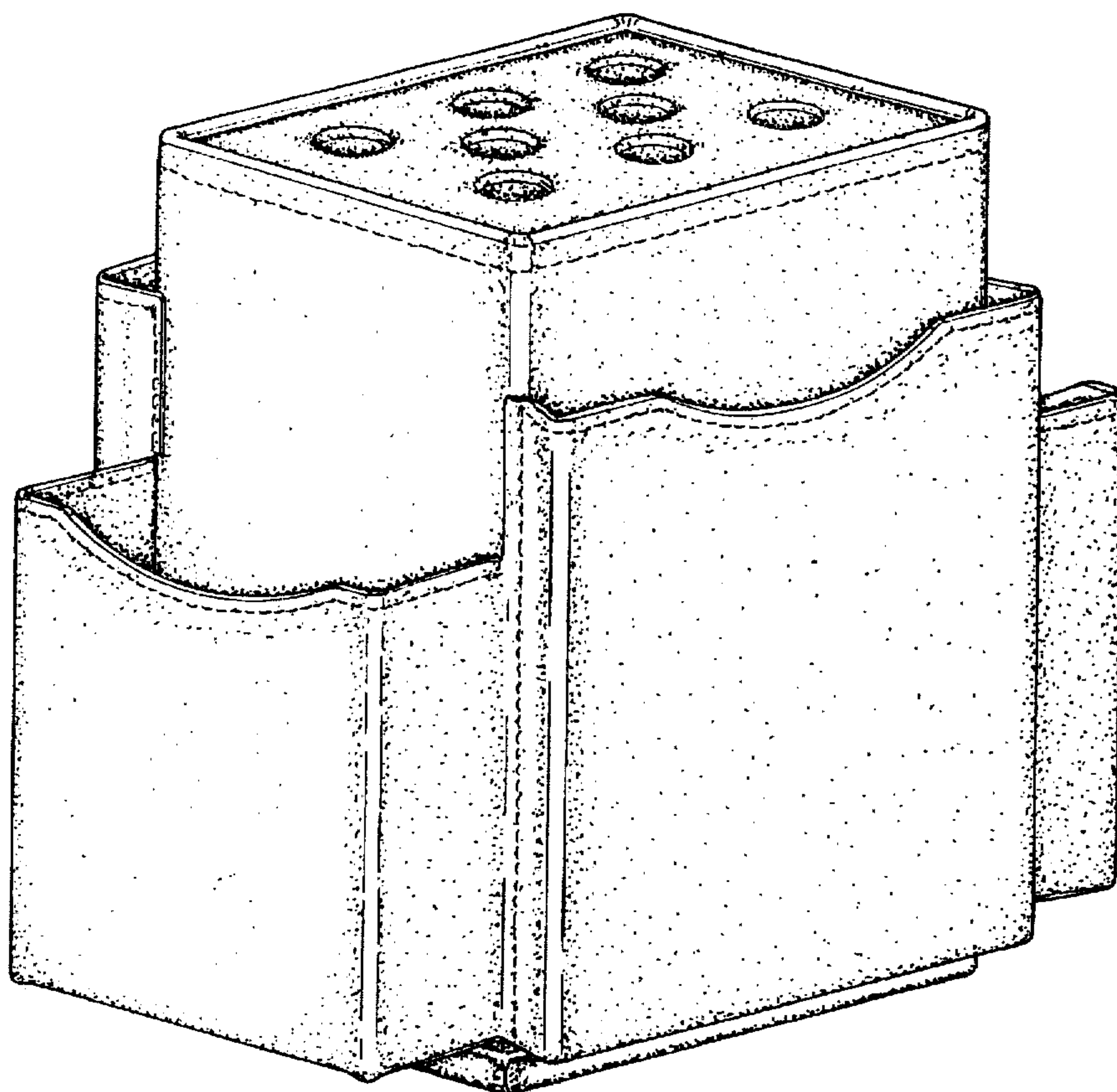


FIG. 1

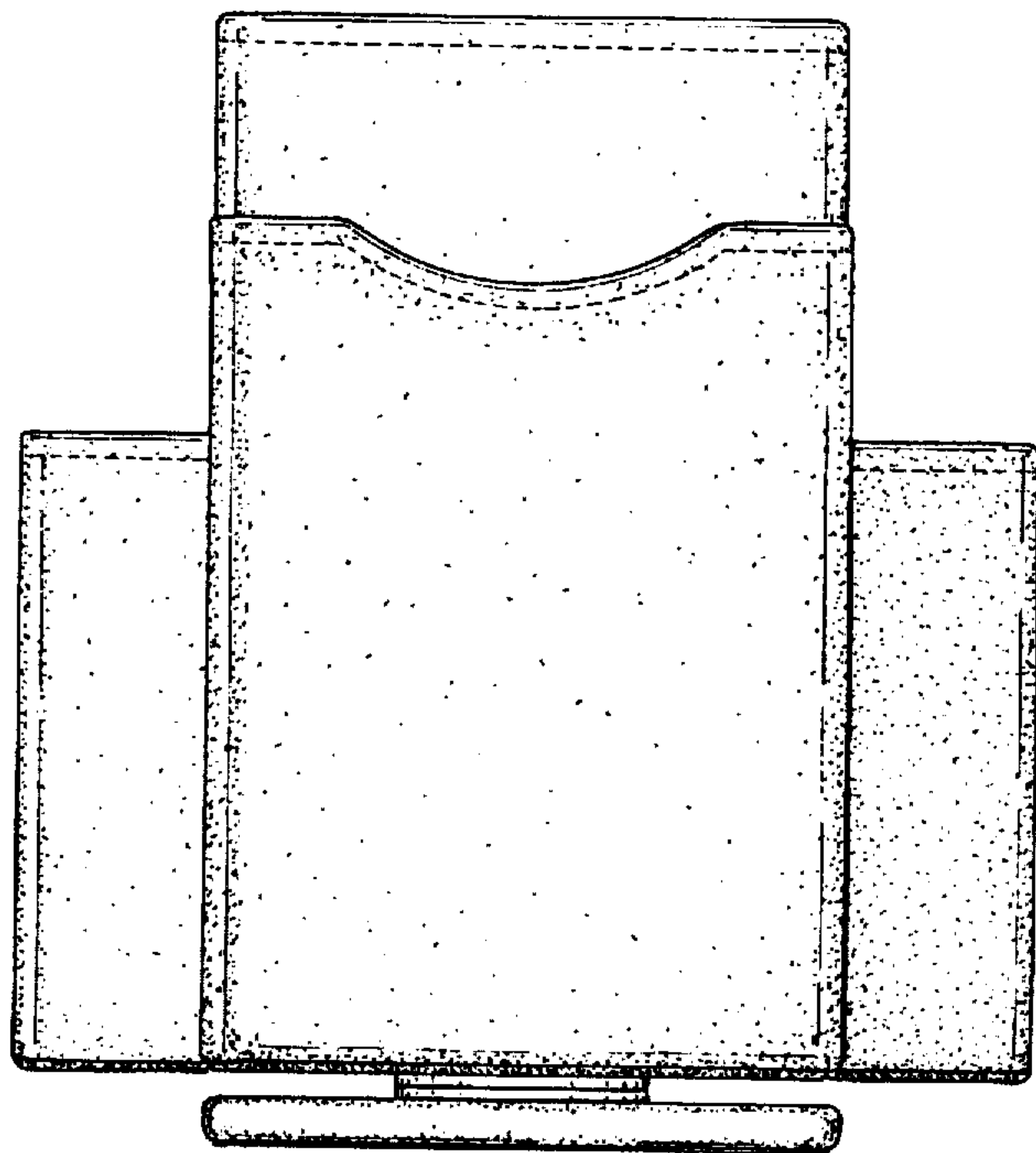


FIG. 2

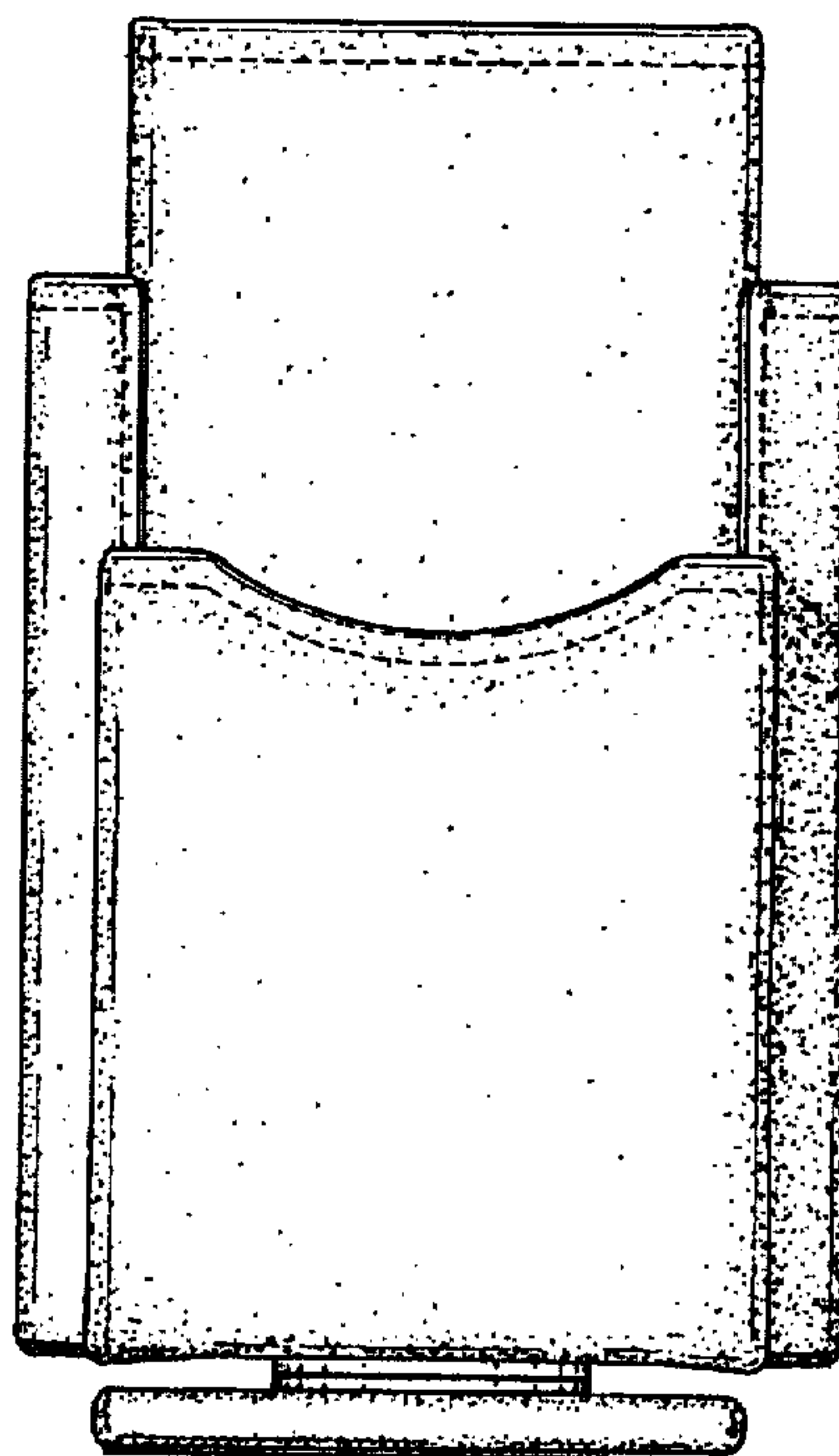


FIG. 3



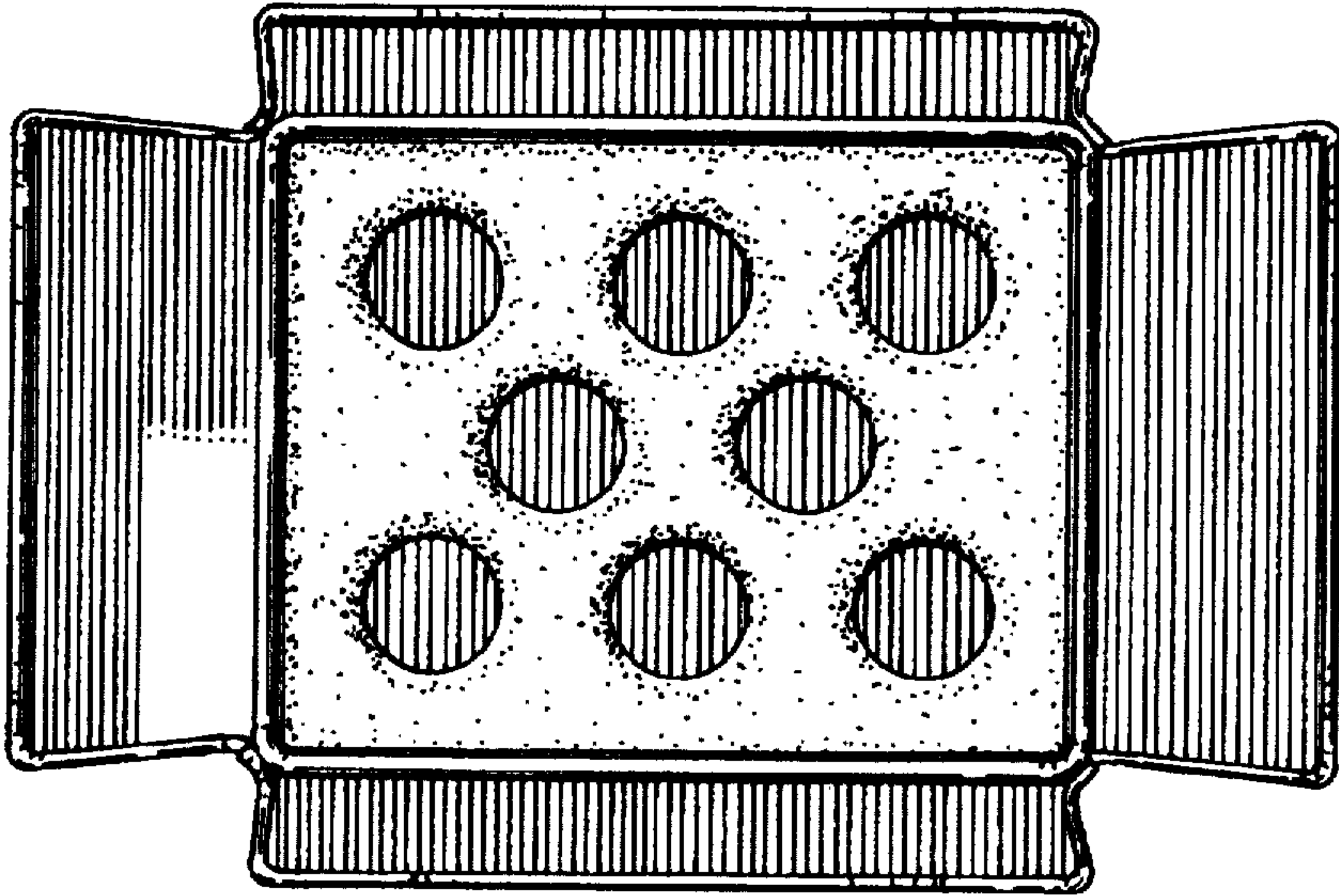


FIG. 4

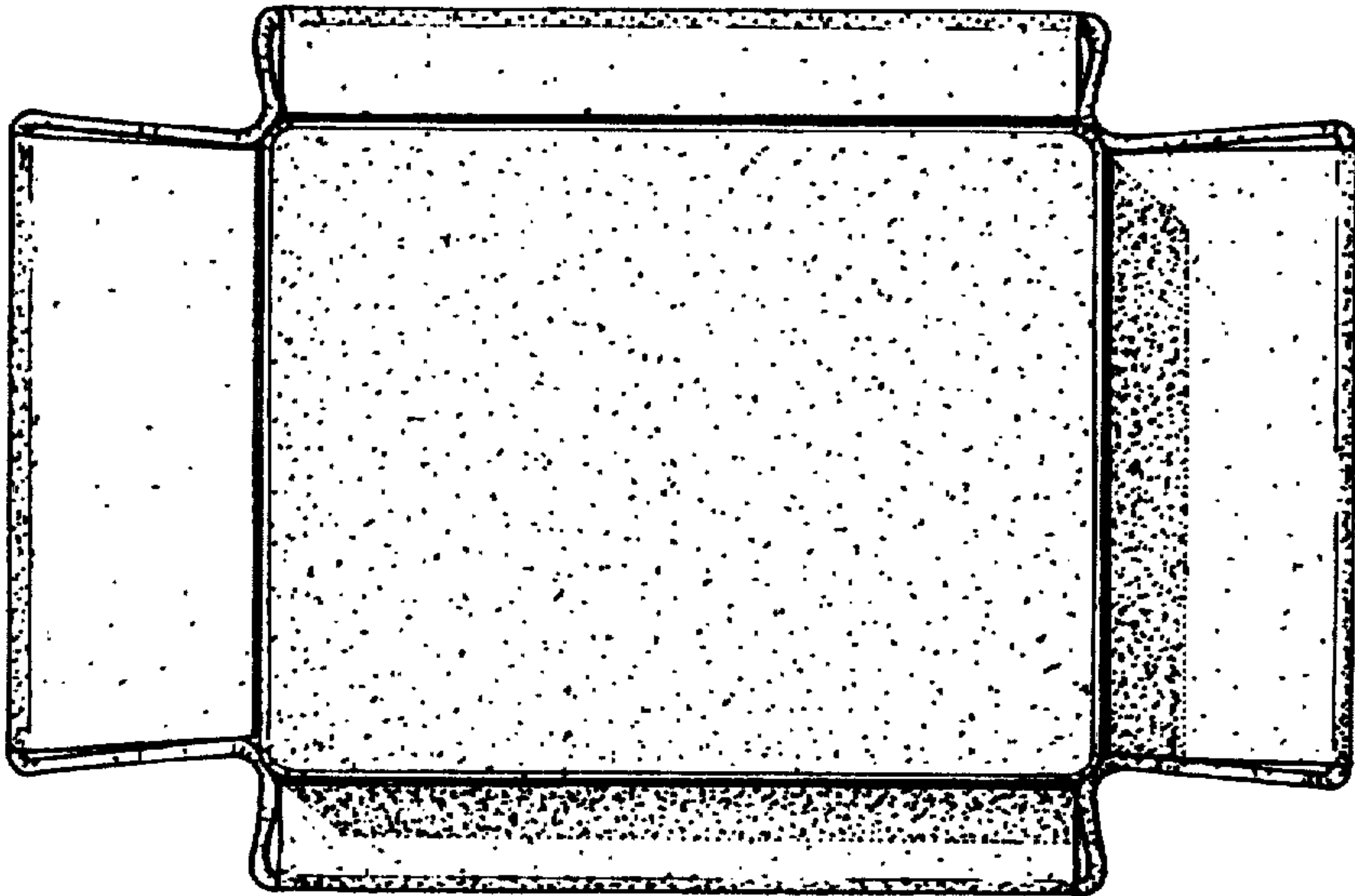


FIG. 5