



US00D408454S

United States Patent [19]

[11] **Patent Number: Des. 408,454**

Ho

[45] **Date of Patent: **Apr. 20, 1999**

[54] **HANGING TAG NOTE PAPER DISPENSER WITH PEN HOLDING SLOT**

DESCRIPTION

[76] Inventor: **Peter Pei-Tak Ho**, 3723 N. Cicero Ave., Chicago, Ill. 60641

[**] Term: **14 Years**

[21] Appl. No.: **29/083,676**

[22] Filed: **Feb. 14, 1998**

[51] **LOC (6) Cl.** **19-02**

[52] **U.S. Cl.** **D19/78; D19/86; D19/90; D19/83**

[58] **Field of Search** **D19/35, 36, 52, D19/65, 75, 78, 81-85, 86, 90, 91, 99, 100; D6/512, 515, 518, 519; D20/40, 42, 43; 281/31, 45; 40/663; 211/73; 248/316.5; 206/39.6, 425**

FIG. 1 is a front elevation view of a hanging tag note paper dispenser with pen holding slot showing my new design, the rear view being a mirror image thereof;

FIG. 2 is a right side elevation view thereof;

FIG. 3 is a left side elevation view thereof;

FIG. 4 is a top plan view, the bottom plan view being a mirror image thereof;

FIG. 5 is an enlarged fragmentary cross-sectional view taken along lines 5—5 of FIG. 1;

FIG. 6 is an enlarged fragmentary cross-sectional view taken along lines 6—6 of FIG. 1;

FIG. 7 is an enlarged fragmentary cross-sectional view taken along lines 7—7 of FIG. 1;

FIG. 8 is an enlarged fragmentary cross-sectional view taken along lines 8—8 of FIG. 1;

FIG. 9 is a front elevation view of FIG. 1 in use with a note pad engaged on the opened brackets and the pen holding slot opened thereof;

FIG. 10 is a right side elevation view of FIG. 9 thereof;

FIG. 11 is a bottom plan view of FIG. 9 thereof;

FIG. 12 is a left side elevation view of FIG. 9 thereof;

FIG. 13 is a top plan view of FIG. 9 thereof;

FIG. 14 is a rear view of FIG. 9 thereof;

FIG. 15 is a perspective view of FIG. 9 thereof;

FIG. 16 is a perspective view of FIG. 9 in use with a pen inserted in the pen holding slot thereof;

FIG. 17 is a second embodiment of FIG. 1 in use with a note pad engaged on the opened brackets and the pen holding slot opened, it being understood that the undisclosed right side and left side views are the same as in FIGS. 10 and 12;

FIG. 18 is a rear view of the second embodiment thereof;

FIG. 19 is a bottom plan view of FIG. 17 thereof;

FIG. 20 is a top plan view of FIG. 17 thereof; and,

FIG. 21 is a perspective view of the second embodiment in use with a pen inserted in the pen holding slot thereof.

The dashed lines in FIG. 1 have been employed to depict scored fold lines. The broken lines showing the outlines of a note pad on FIGS. 9-21 are for illustrative purposes only and form no part of the claimed design. The broken lines showing the outlines of a pen on FIGS. 16 and 21 are for illustrative purposes only and form no part of the claimed design.

[56] **References Cited**

U.S. PATENT DOCUMENTS

D. 142,775 11/1945 *Rebaylio* D19/78

D. 163,452 5/1951 *Freeman* D19/78

D. 254,226 2/1980 *Morse* D7/45

(List continued on next page.)

OTHER PUBLICATIONS

U.S. application No. 29/070,917, Ho, filed May 5, 1997 and was approved by the Patent & Trademark Office on Sep. 12, 1997; 3 additional design patents applications on related designs filed by Peter Ho on Nov. 13, 1997, and design application Serial No. 29/079,840 filed by Peter Ho on Nov. 11, 1997.

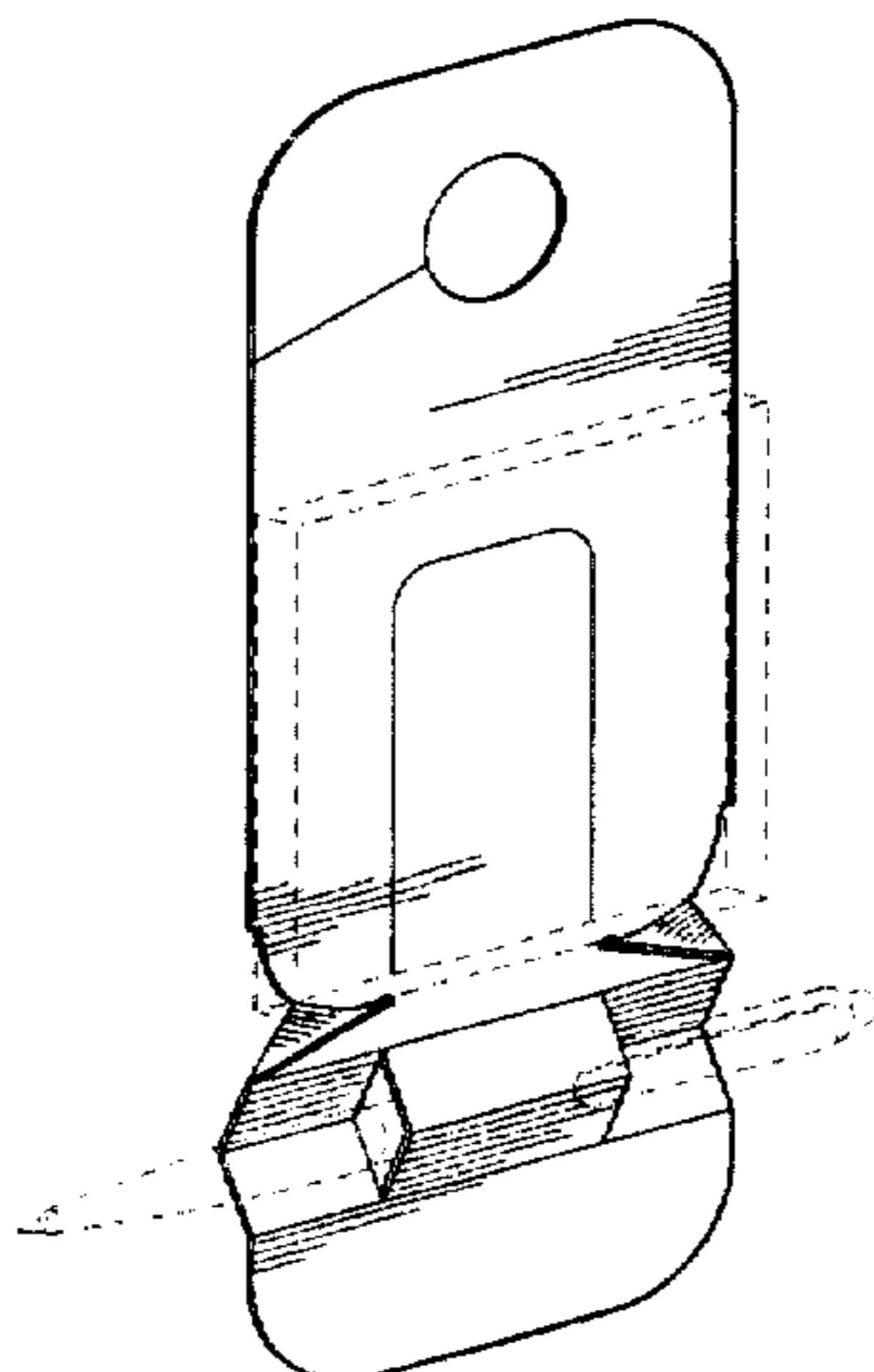
(List continued on next page.)

Primary Examiner—Martie K. Holtje

[57] **CLAIM**

The ornamental design for a hanging tag note paper dispenser with pen holding slot, as shown and described.

1 Claim, 6 Drawing Sheets



U.S. PATENT DOCUMENTS

D. 270,273	8/1983	Kosmicki	D19/52
D. 280,646	9/1985	Howard et al.	D20/40
D. 310,688	9/1990	Windorski	D19/86
D. 316,877	5/1991	Mitchell	D20/43
D. 332,970	2/1993	Myers	D19/78
D. 342,096	12/1993	Cornell	D19/86
D. 342,099	12/1993	Jones	D20/40
D. 345,519	3/1994	Wagner	D19/85
D. 349,516	8/1994	Svee	D20/42
D. 354,519	1/1995	Wagner	D19/85
D. 371,391	7/1996	Meyer	D19/90
D. 390,882	2/1998	Ho	D19/90 X
D. 394,882	6/1998	Ho	D19/90 X
632,155	8/1899	Smith	248/316.5
844,948	2/1907	Lynch	281/31
983,964	2/1911	White	D19/90 X
1,212,349	1/1917	Hardy	206/39.6
2,528,695	11/1950	King	281/45

2,758,723	8/1956	Morris et al.	211/73
4,216,598	8/1980	Newbert	40/331
4,545,521	10/1985	Hiersteiner	40/331
4,562,938	1/1986	Loder	221/46
4,586,630	5/1986	Loder	221/46
4,770,320	9/1988	Miles et al.	221/33
4,862,617	9/1989	Cooke, Jr. et al.	40/663
5,137,453	8/1992	Hudson	434/408
5,165,570	11/1992	Windorski	221/46
5,363,985	11/1994	Cornell	211/46
5,480,037	1/1996	Pope	211/50
5,554,034	9/1996	Zand	434/263

OTHER PUBLICATIONS

- Catalog p. 28 from TradeNet Line, 1997.
- Catalog p. 47 from The California Line, data unknown.
- Catalog page from 3M Post-It Note dispensers, data unknown.

FIG. 4

FIG. 3

FIG. 1

FIG. 2

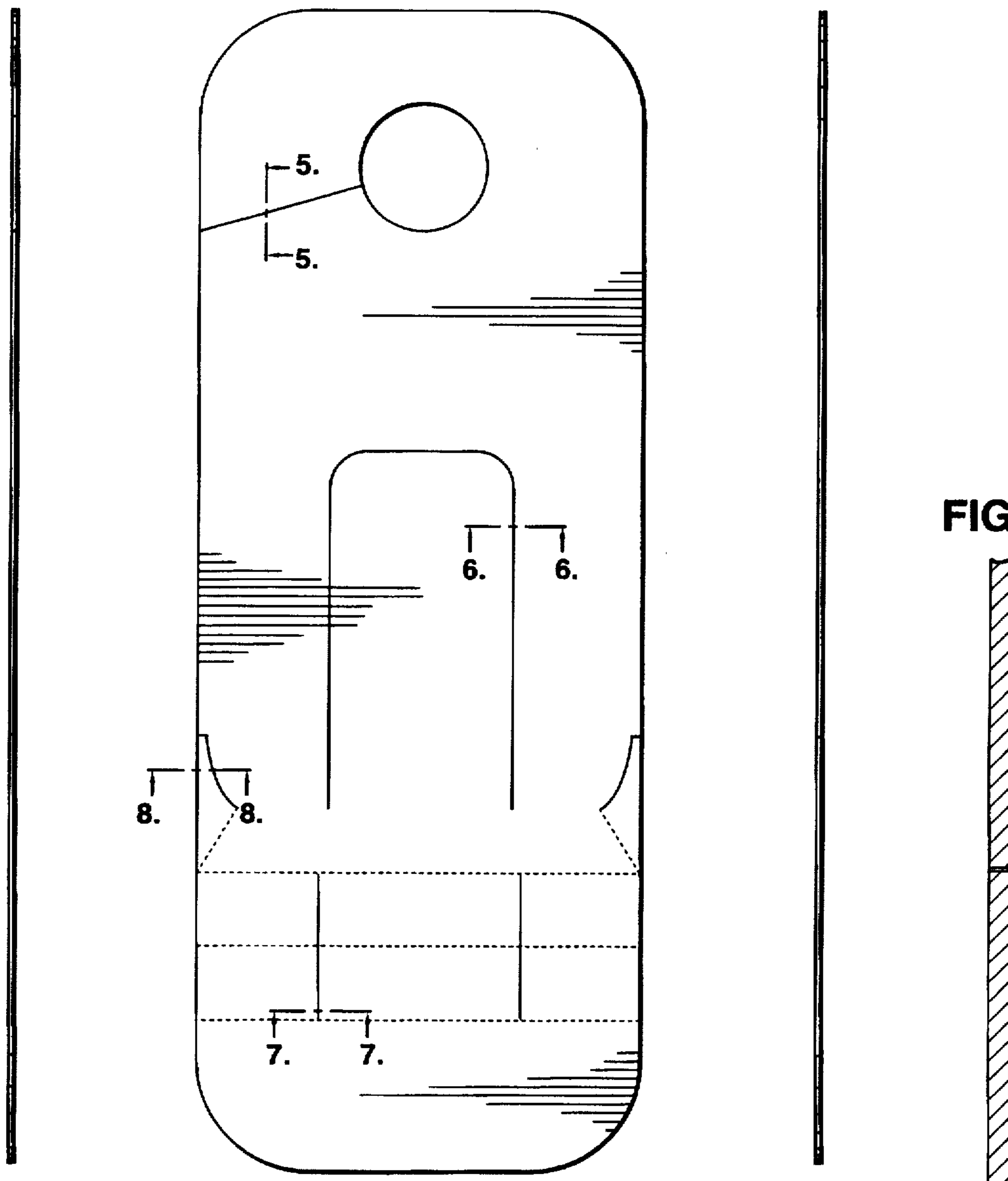


FIG. 5

FIG. 6

FIG. 7

FIG. 8

FIG. 13

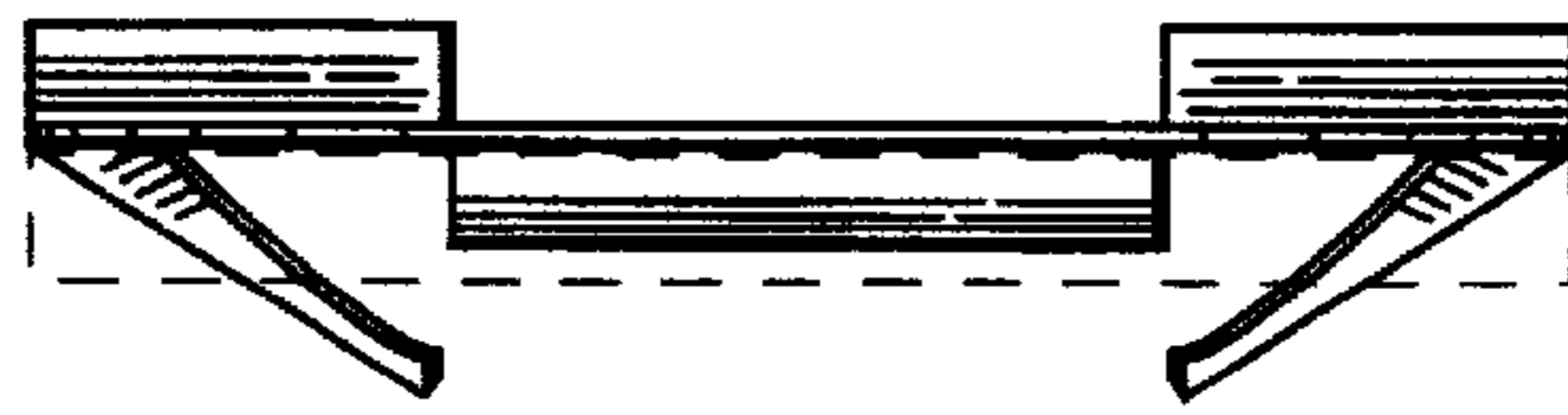


FIG. 12

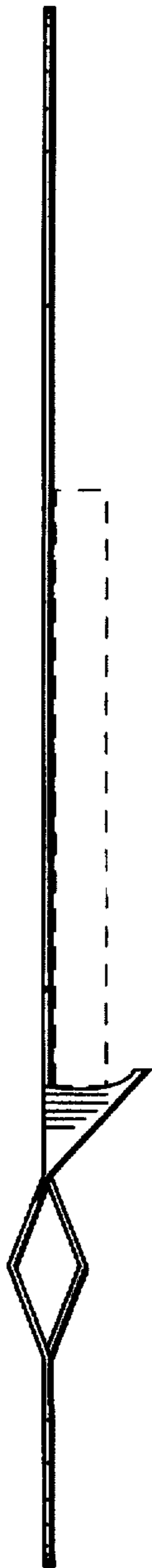


FIG. 9

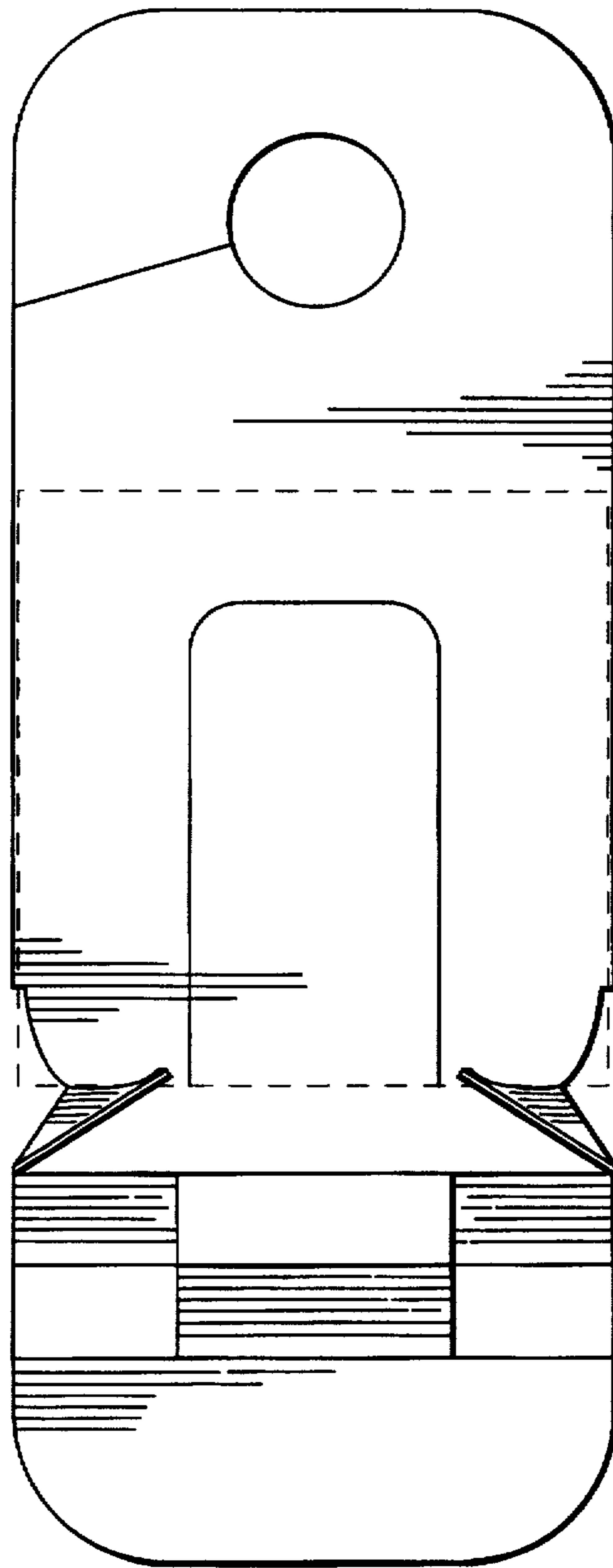


FIG. 10

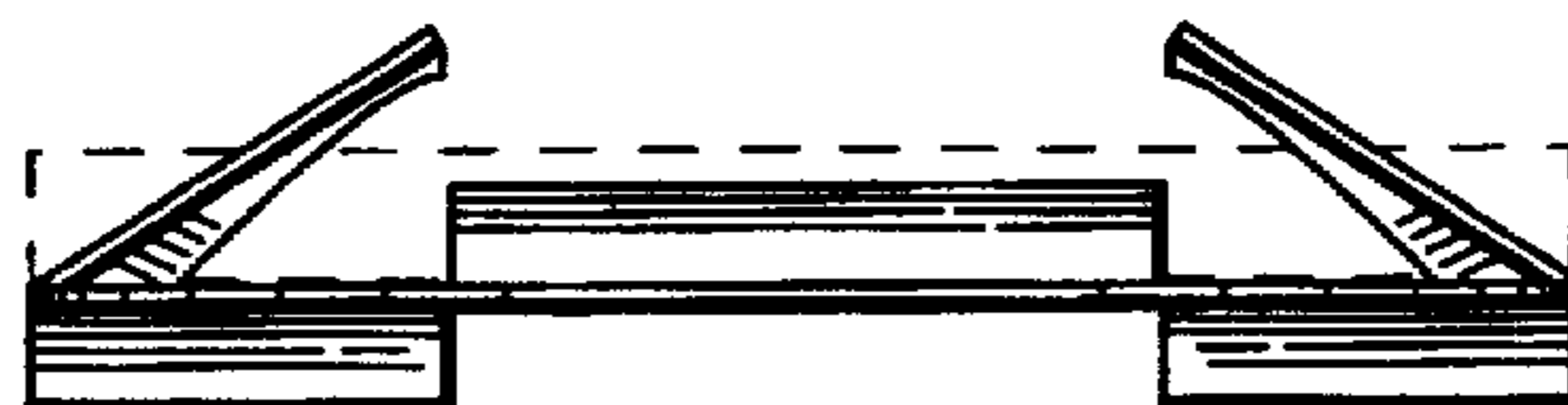
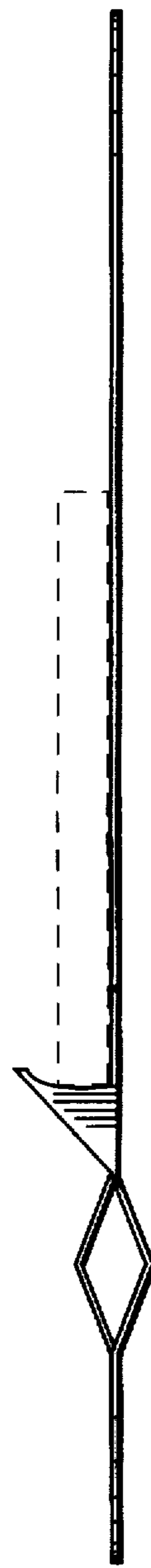


FIG. 11

FIG. 14

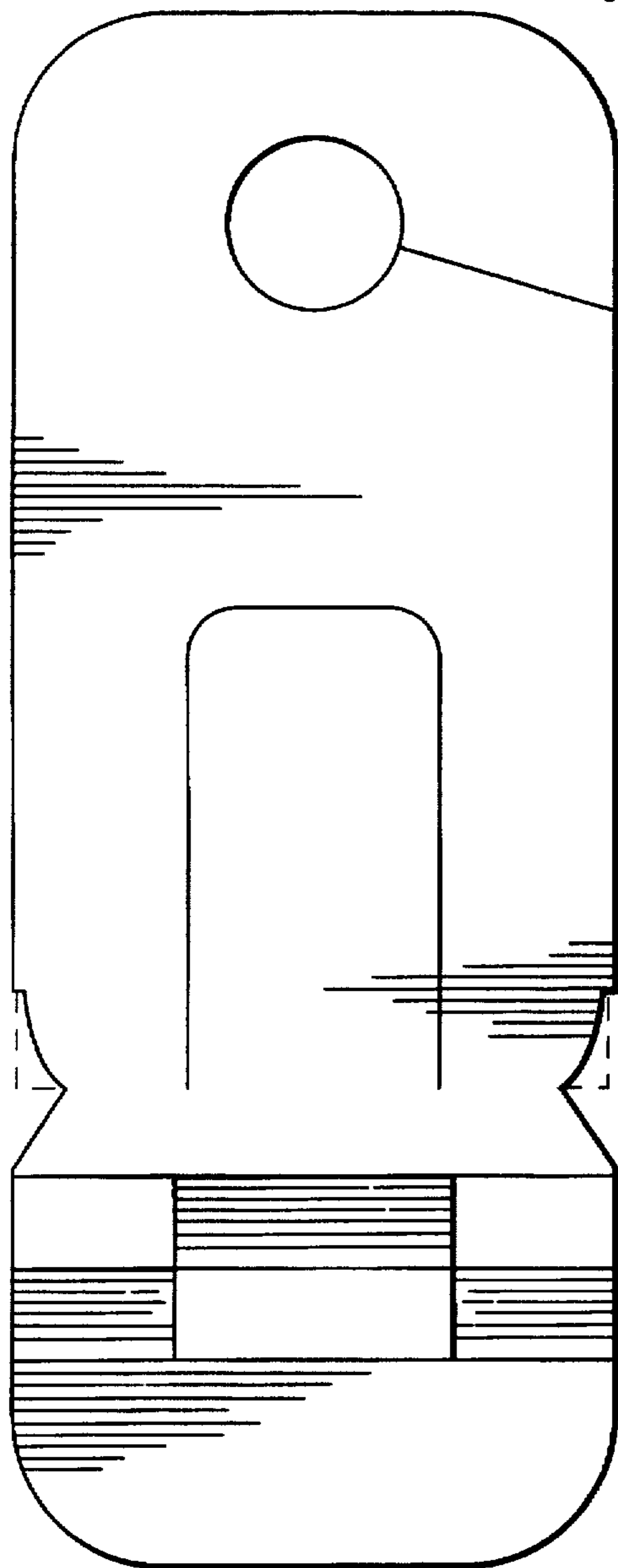


FIG. 15

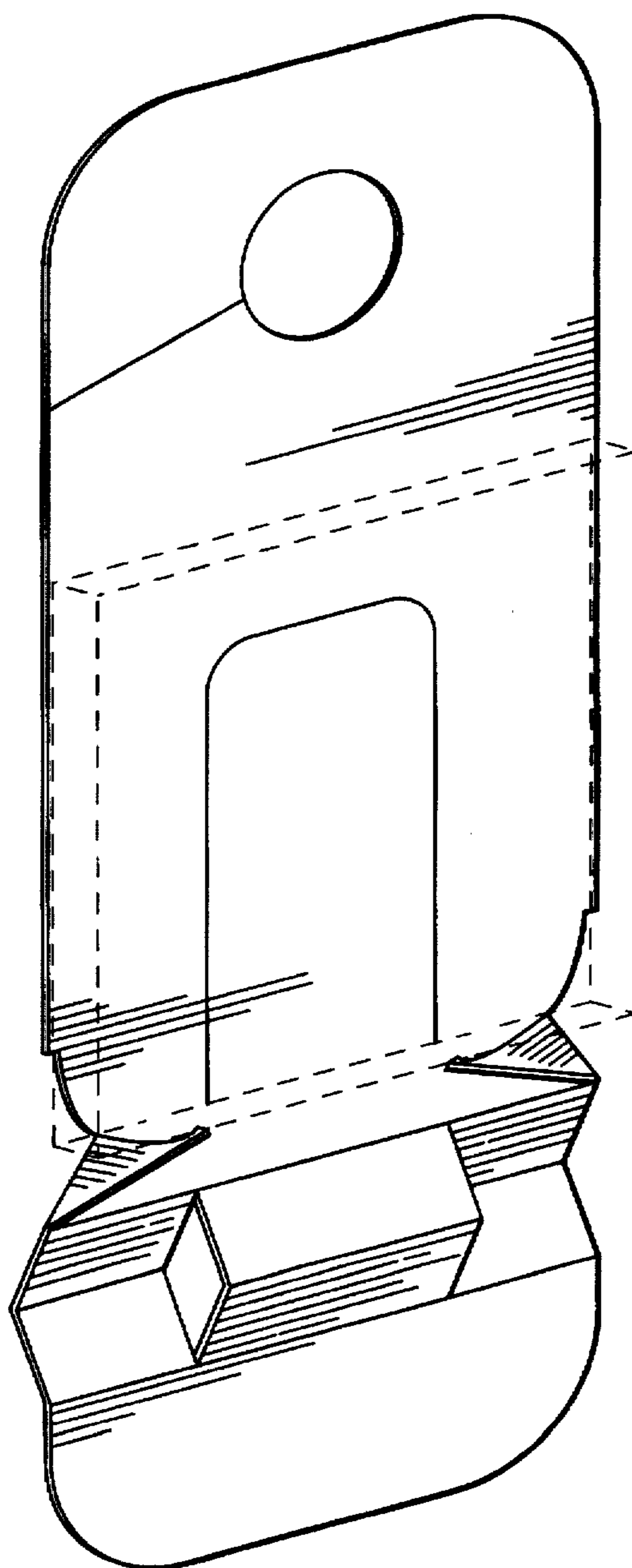
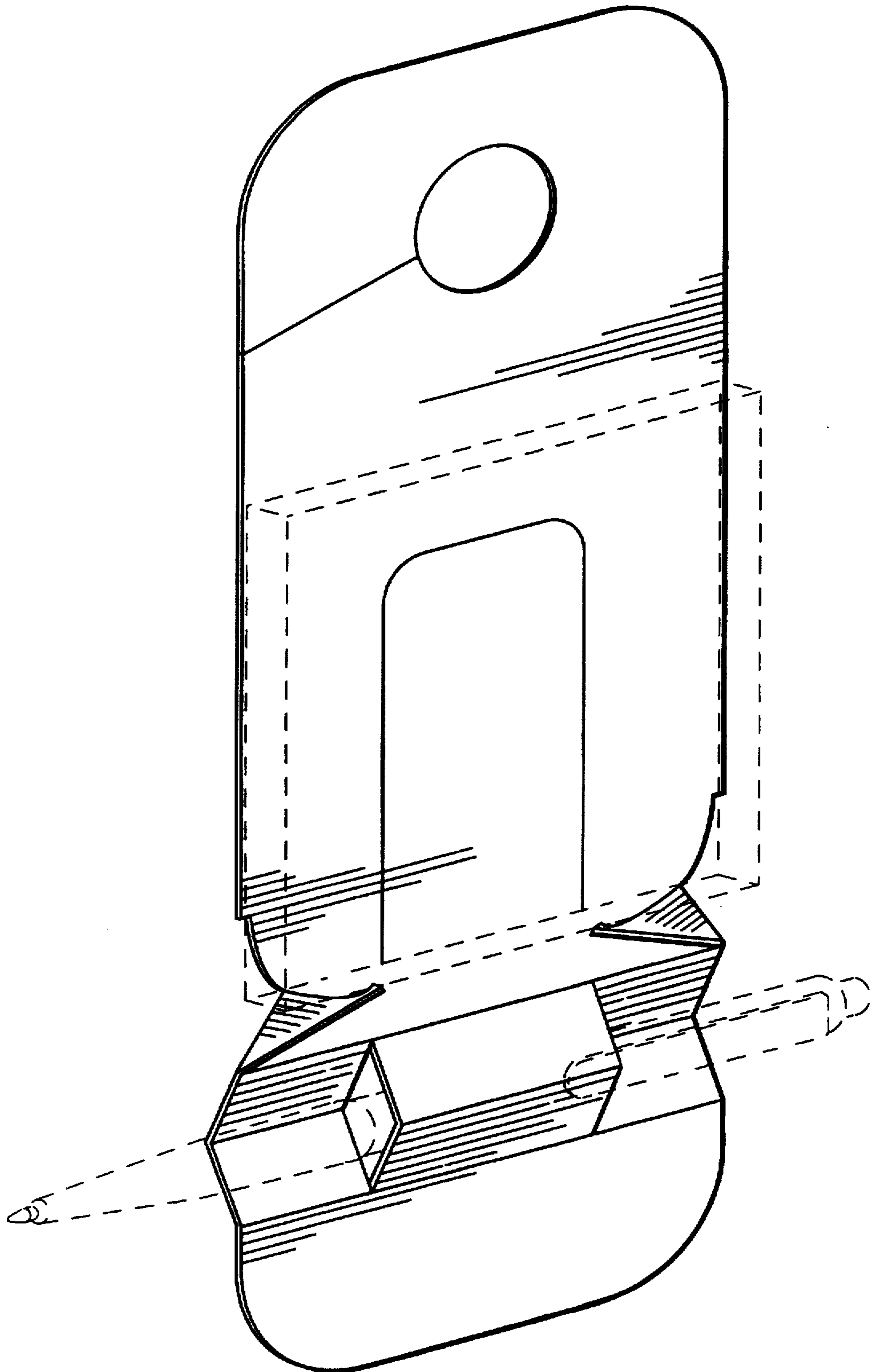


FIG. 16



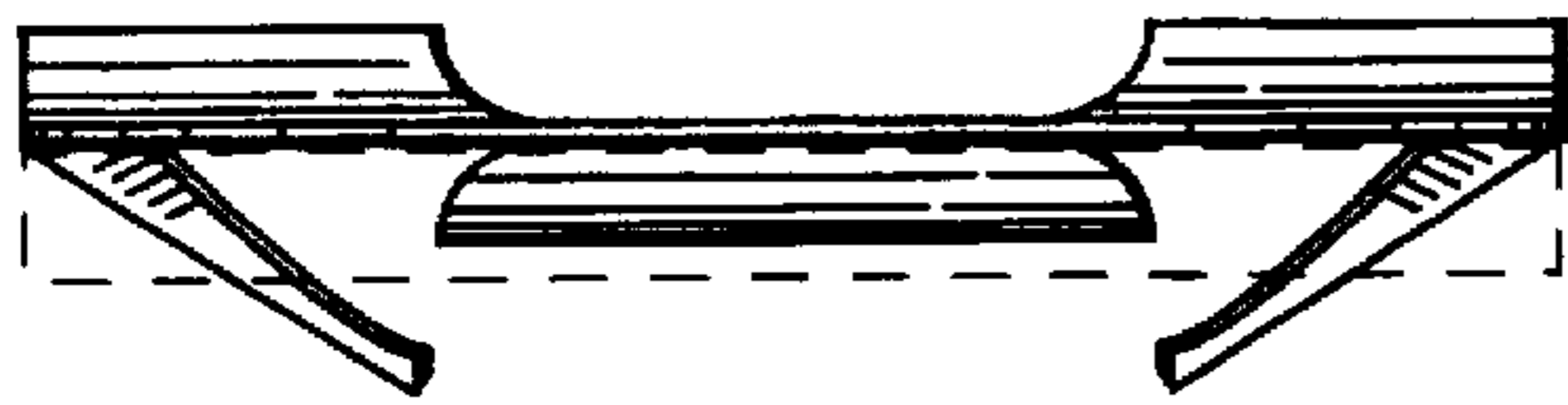


FIG. 20

FIG. 17

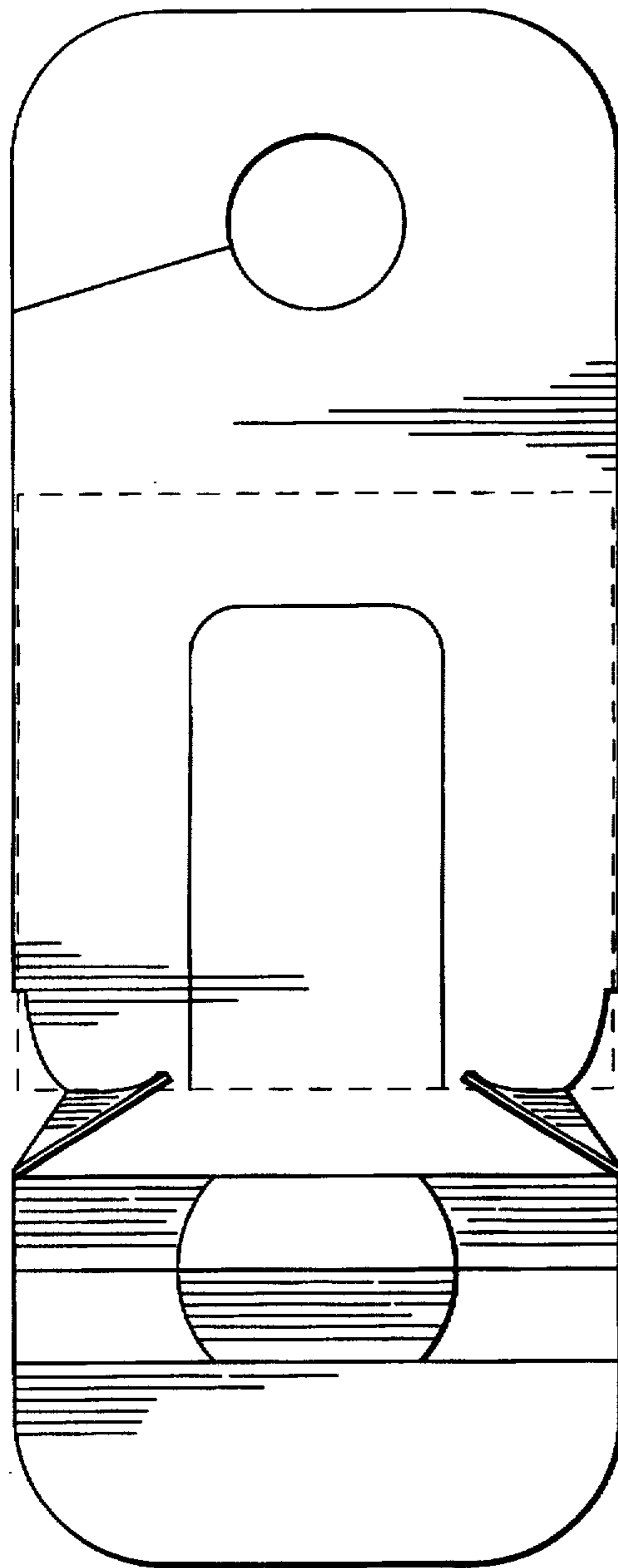


FIG. 18

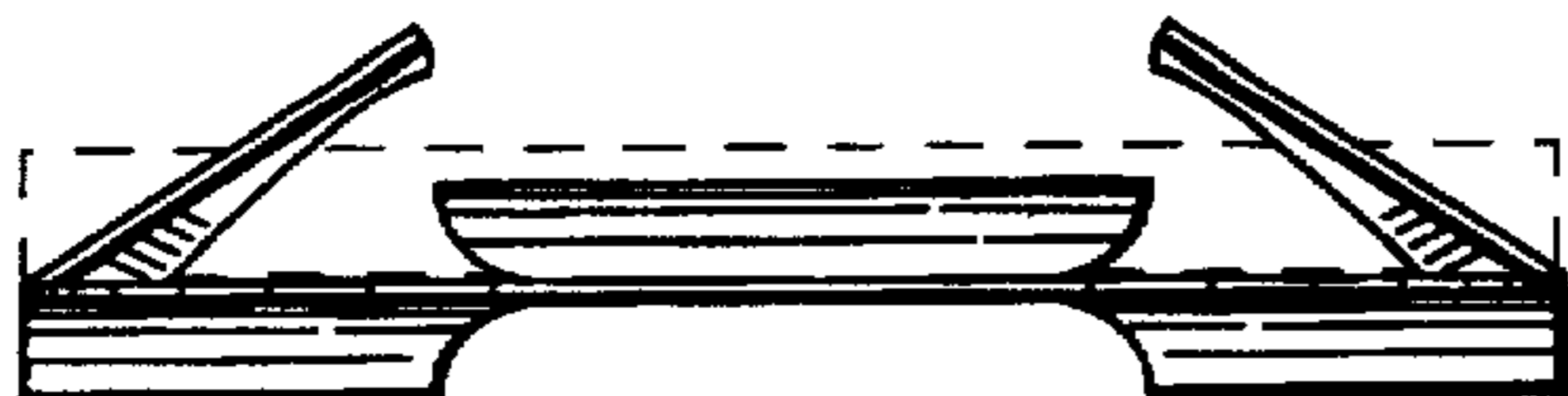
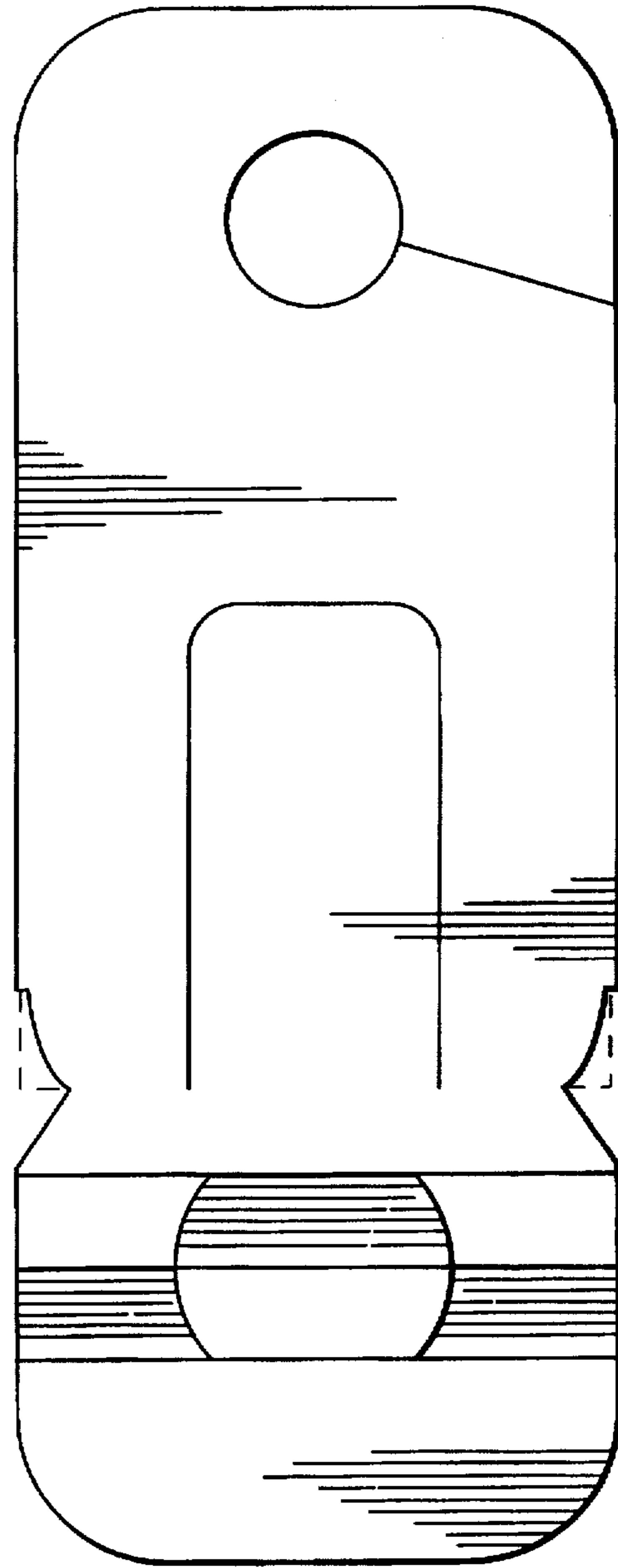


FIG. 19

FIG. 21

