



US00D408447S

United States Patent [19]

Base et al.

[11] Patent Number: **Des. 408,447**

[45] Date of Patent: ****Apr. 20, 1999**

[54] **PAGE MARKING DEVICE**

[75] Inventors: **Deborah Base**, Boynton Beach; **Ryan Mimick**, Coral Springs; **Rebecca Robin**, Fort Lauderdale; **Denise Tedaldi**, Jupiter, all of Fla.

[73] Assignee: **Levenger Company**, Delray Beach, Fla.

[**] Term: **14 Years**

[21] Appl. No.: **29/093,552**

[22] Filed: **Sep. 14, 1998**

[51] LOC (6) CL **19-99**

[52] U.S. Cl. **D19/34; D19/65; D19/86; D19/90**

[58] Field of Search **D8/395; D19/35, D19/36, 65, 75, 78, 86, 88, 90, 91, 99, 100; 24/67 R, 67.1-67.11, DIG. 8, DIG. 9, 510, 504-508, 545, 546, 547, 563, 500, 501; 116/234, 237, 238, 239**

[56] **References Cited**

U.S. PATENT DOCUMENTS

D. 46,001 6/1914 Meguar D19/65 X

D. 314,012	1/1991	Klodt	D19/65
D. 352,963	11/1994	Siler	D19/83
D. 394,454	5/1998	Williams et al. .	
1,601,832	10/1926	Jackson .	
1,713,994	5/1929	Carter et al.	24/67.9 X
2,478,376	8/1949	DeSwart	24/67.9
3,137,934	6/1964	Rhoads	24/545 X

Primary Examiner—Martie K. Holtje
Attorney, Agent, or Firm—Quarles & Brady

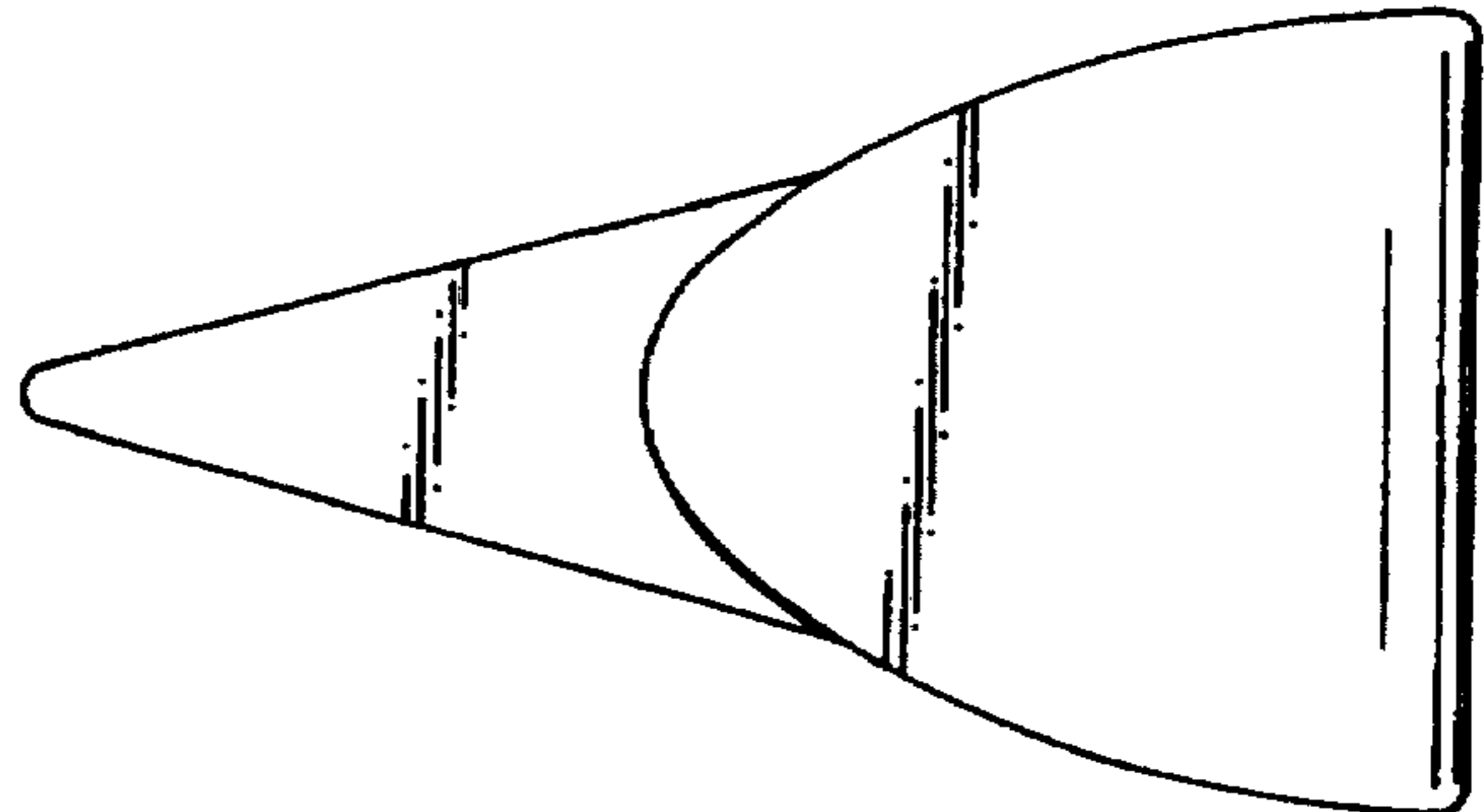
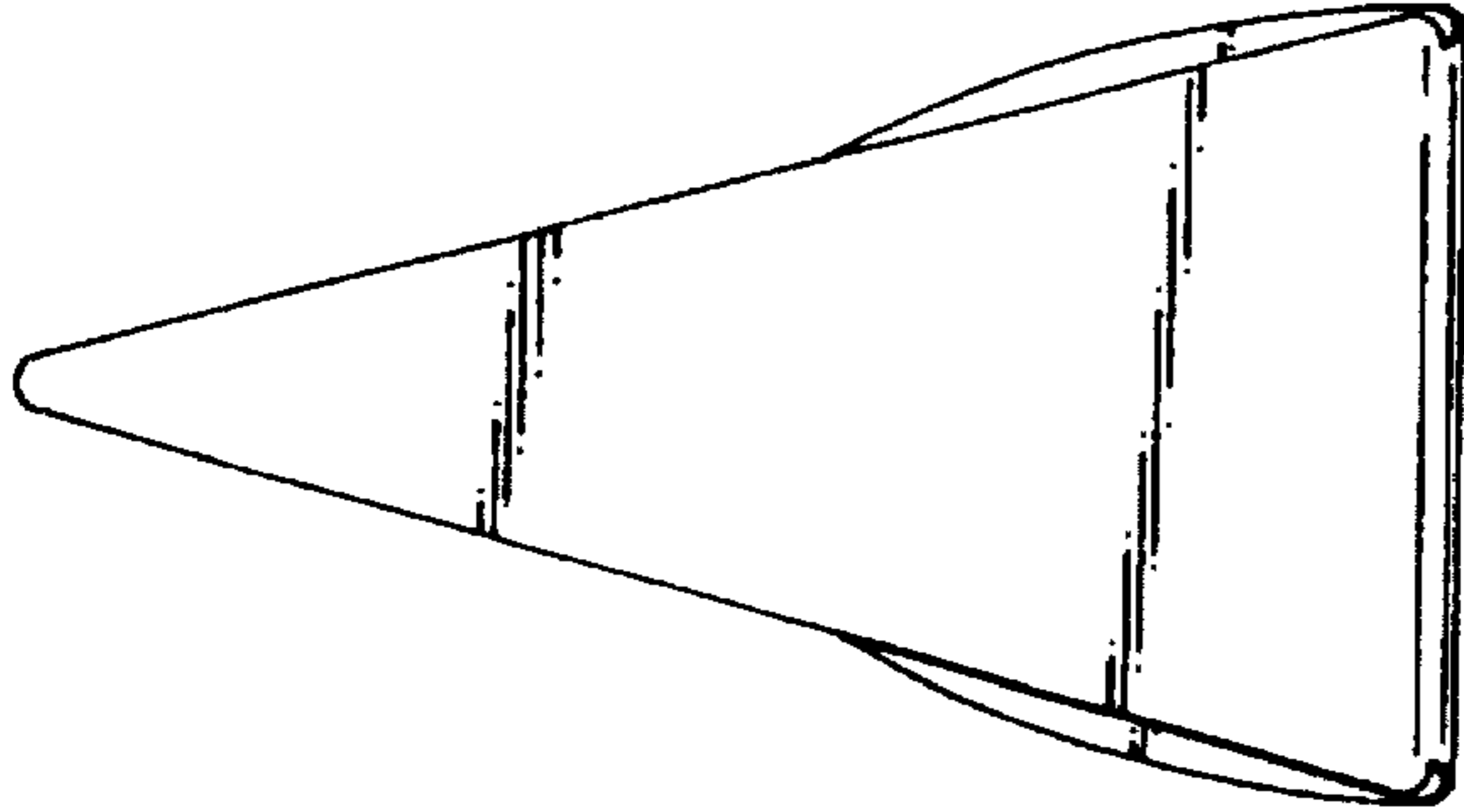
[57] **CLAIM**

The ornamental design for a page marking device, as shown and described.

DESCRIPTION

FIG. 1 is a perspective view.
FIG. 2 is a top plan view.
FIG. 3 is a bottom plan view.
FIG. 4 is a rear elevation view.
FIG. 5 is a front elevation view; and,
FIG. 6 is a right side elevation view, the left side elevation view being substantially a mirror image thereof.

1 Claim, 1 Drawing Sheet



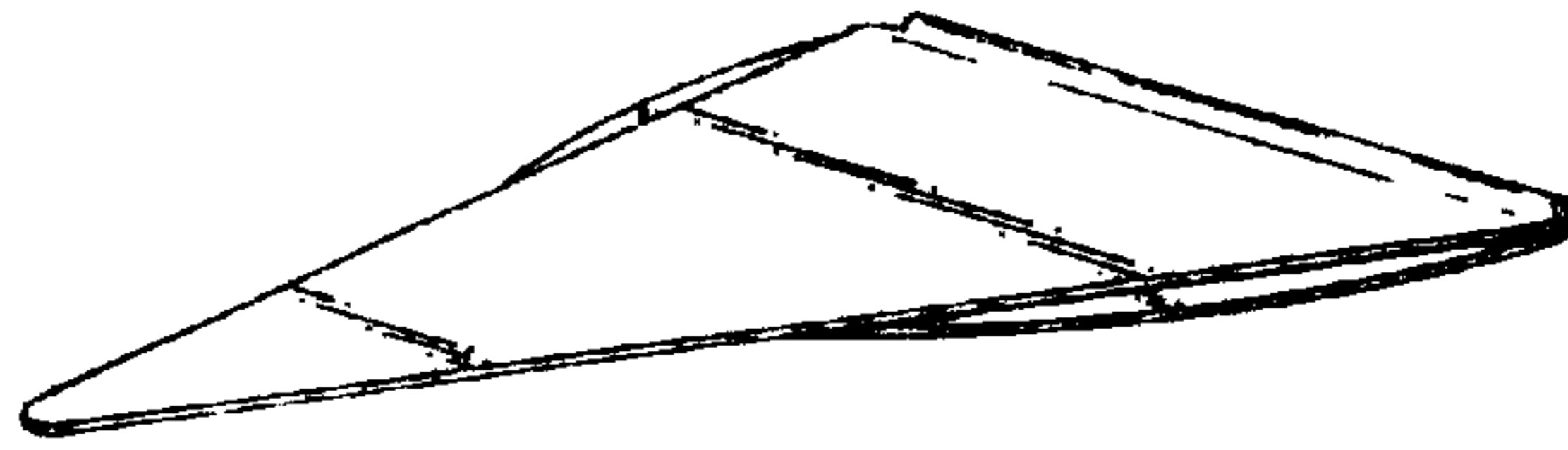


FIG. 1

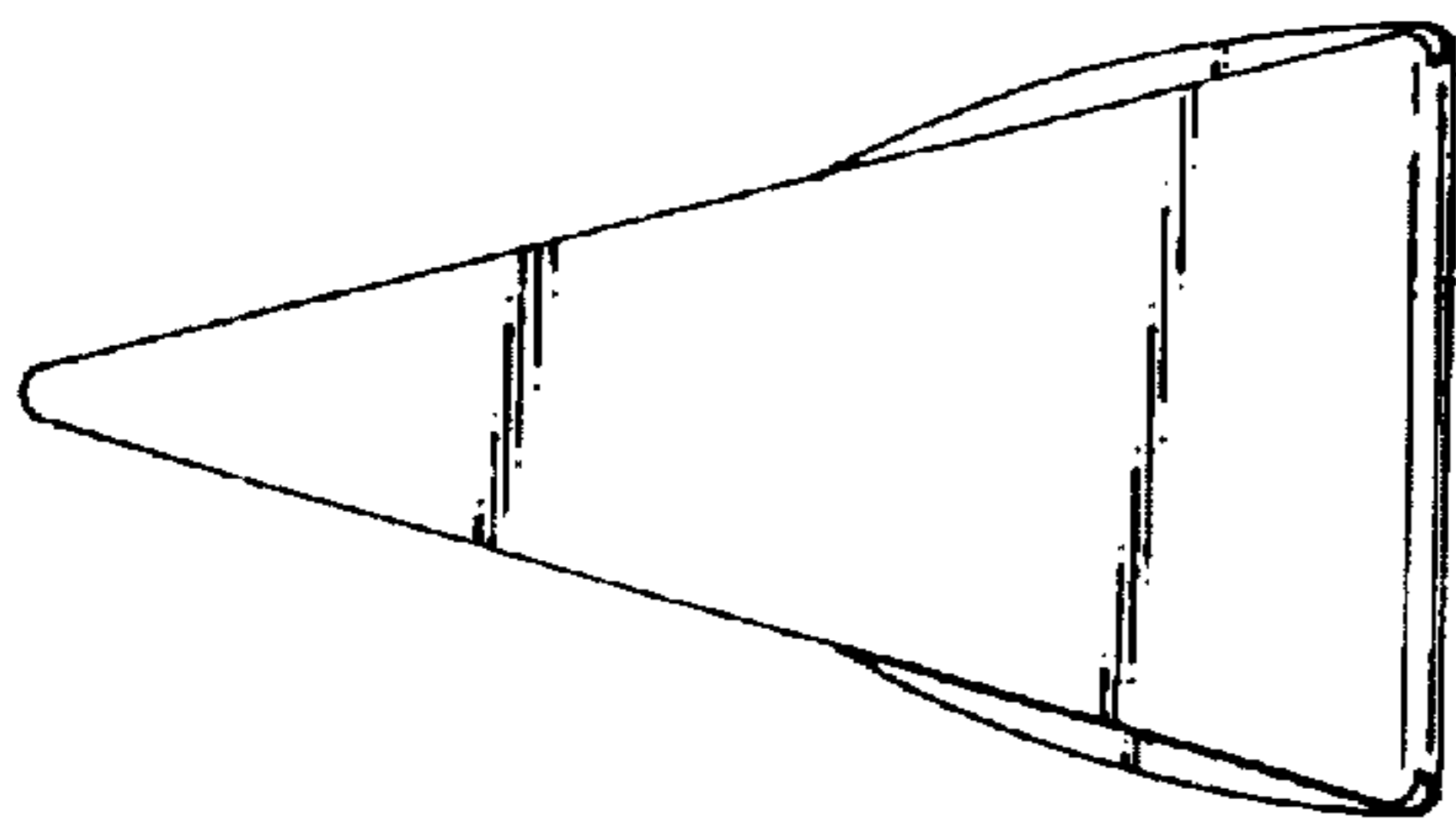


FIG. 2

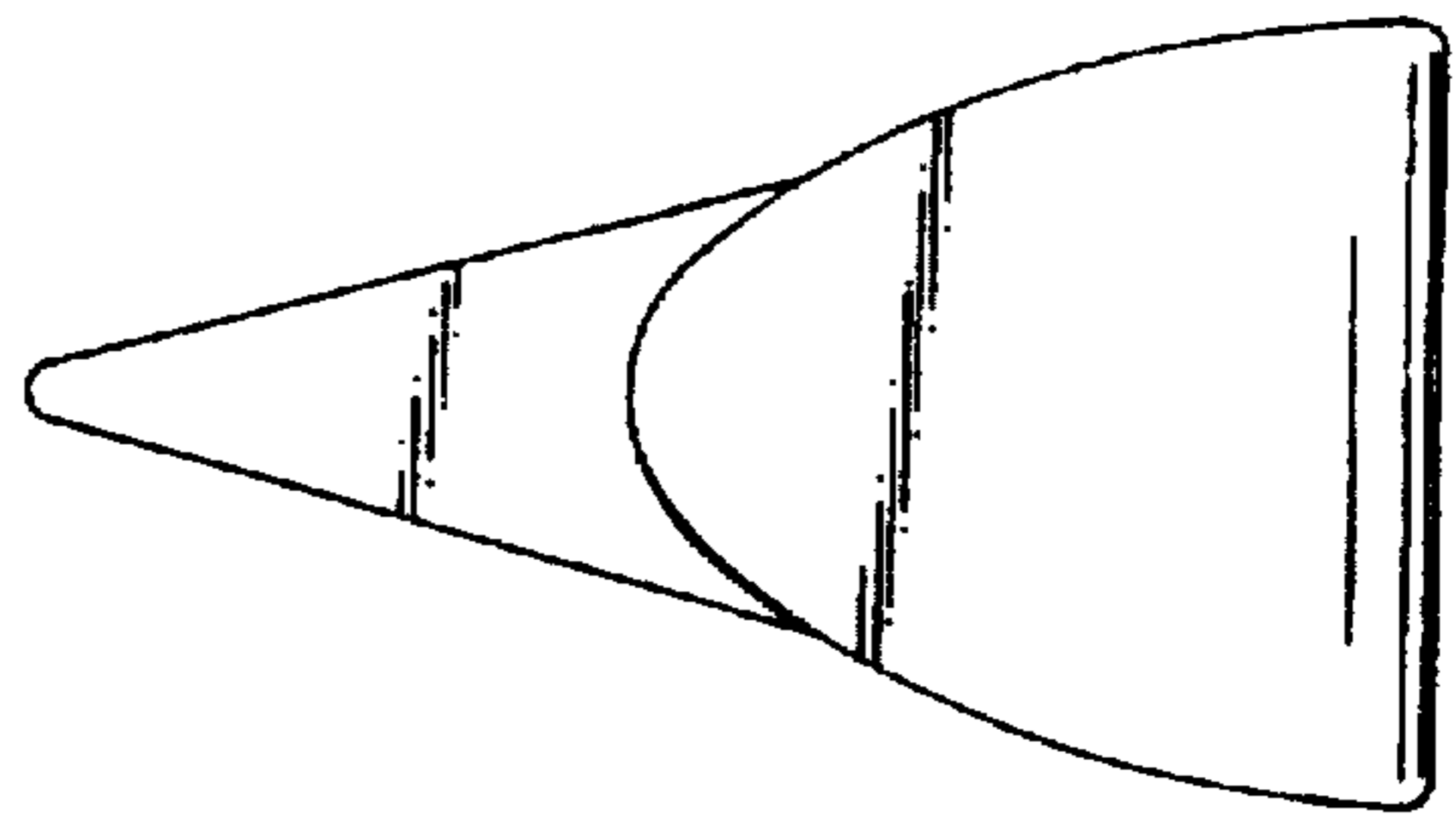


FIG. 3



FIG. 4



FIG. 5



FIG. 6