



US00D408445S

United States Patent [19]

Schwallie et al.

[11] Patent Number: Des. 408,445

[45] Date of Patent: **Apr. 20, 1999

[54] TONER CONTAINER

[75] Inventors: **Scott H. Schwallie**, Rochester; **Pamala J. O'Brien**, Spencerport; **Christopher S. Garcia**; **Ronald R. Holland**, both of Rochester, all of N.Y.

[73] Assignee: **Eastman Kodak Company**, Rochester, N.Y.

[**] Term: 14 Years

[21] Appl. No.: 29/089,777

[22] Filed: Jun. 23, 1998

[51] LOC (6) CL 16-03

[52] U.S. Cl. D18/43

[58] Field of Search D18/36, 40, 43, D18/56; 399/24, 25, 27, 28, 61, 99, 106, 262

[56] **References Cited**

U.S. PATENT DOCUMENTS

D. 310,845 9/1990 Ohata D18/43

D. 346,819 5/1994 Taniguchi et al. D18/43
D. 395,914 7/1998 Yoshino et al. D18/43
5,517,285 5/1996 Nomura et al. 355/245

Primary Examiner—Caron D. Veynar
Attorney, Agent, or Firm—Lawrence P. Kessler

[57] **CLAIM**

The ornamental design for a toner container, as shown and described.

DESCRIPTION

FIG. 1 is top front perspective view of the toner container according to this invention;

FIG. 2 is a bottom rear perspective view thereof;

FIG. 3 is a front elevational view thereof;

FIG. 4 is a rear elevational view thereof;

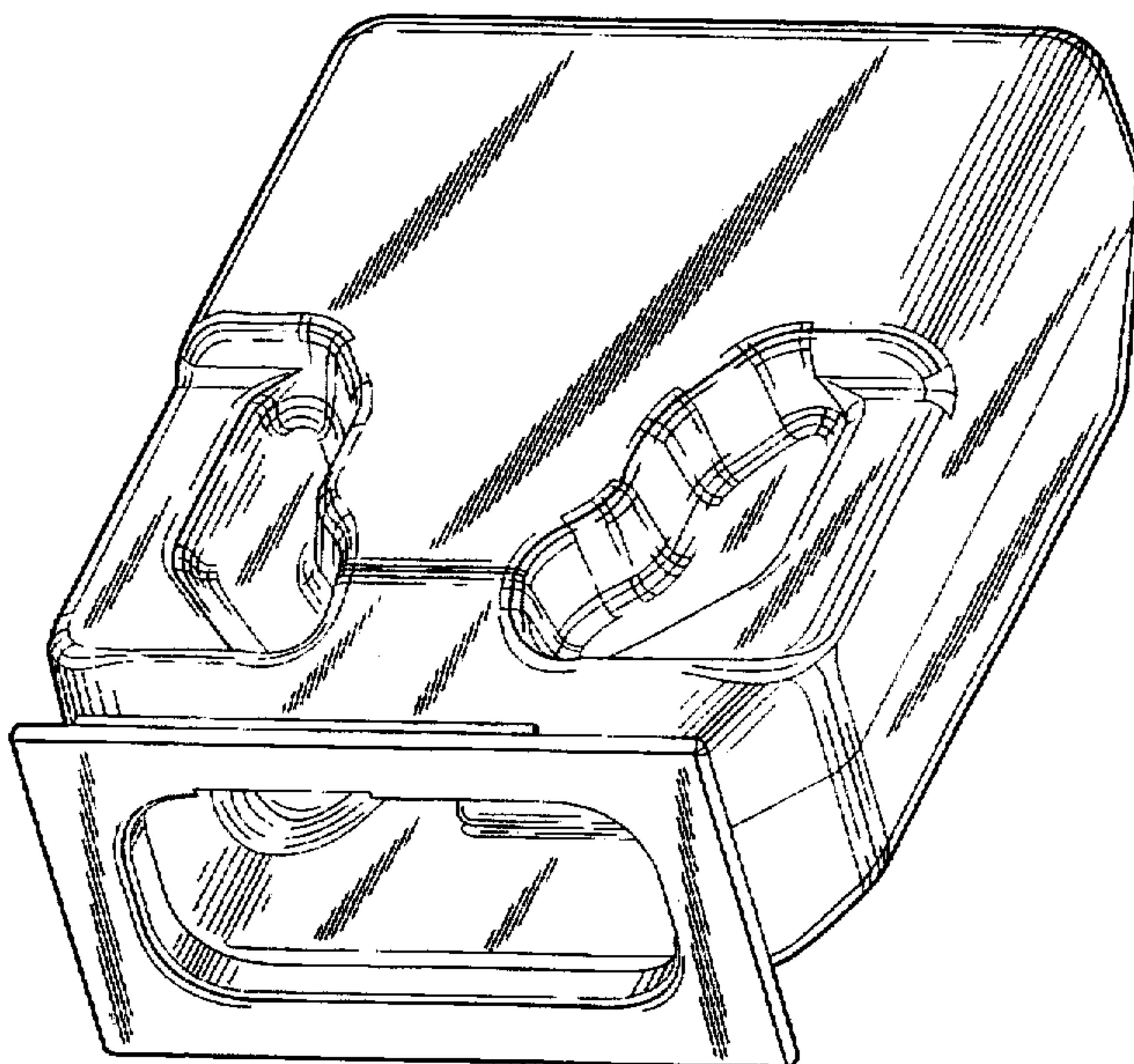
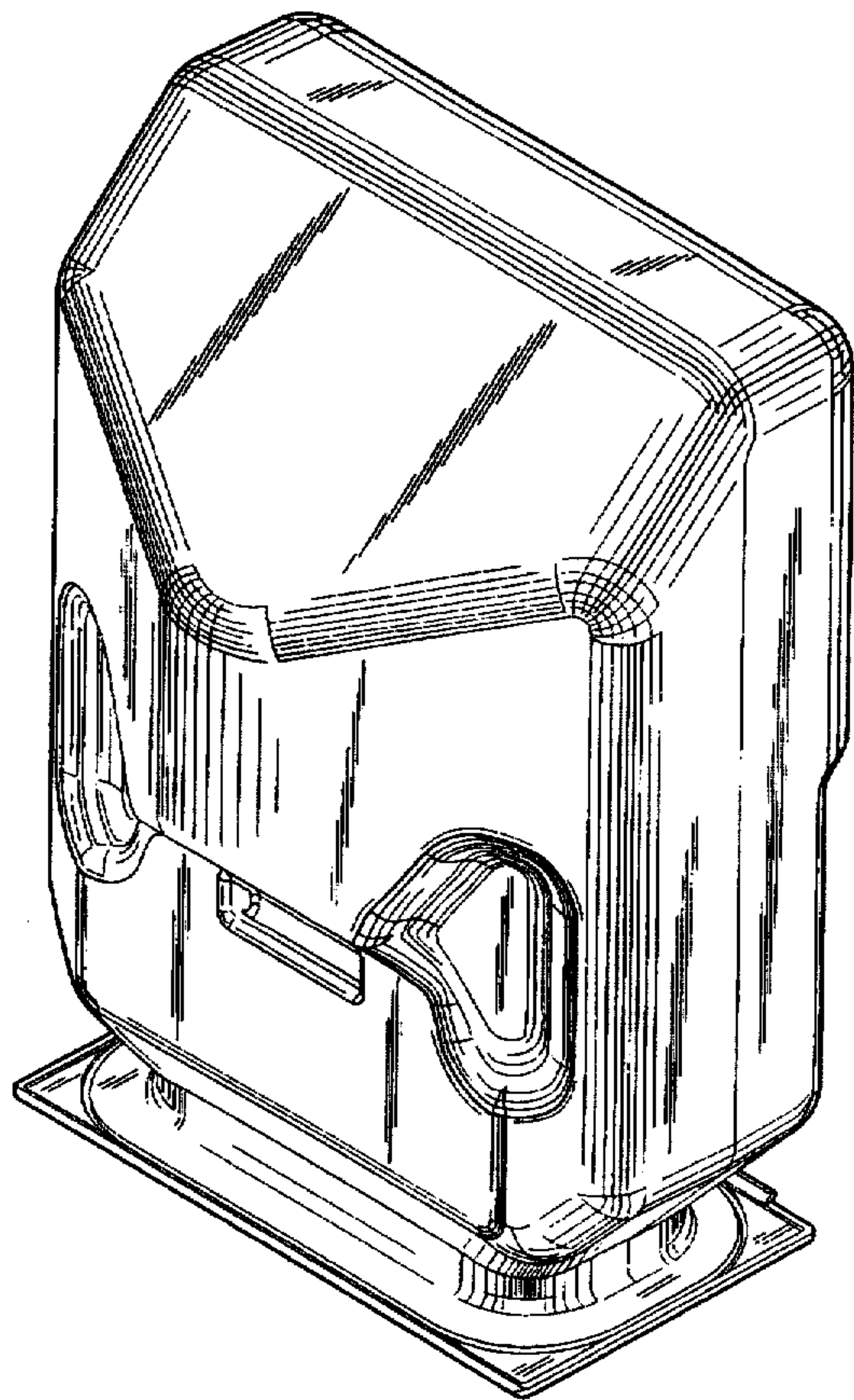
FIG. 5 is a top plane view thereof;

FIG. 6 is a bottom plane view thereof;

FIG. 7 is a right side elevational view thereof; and,

FIG. 8 is a left side elevational view thereof.

1 Claim, 8 Drawing Sheets



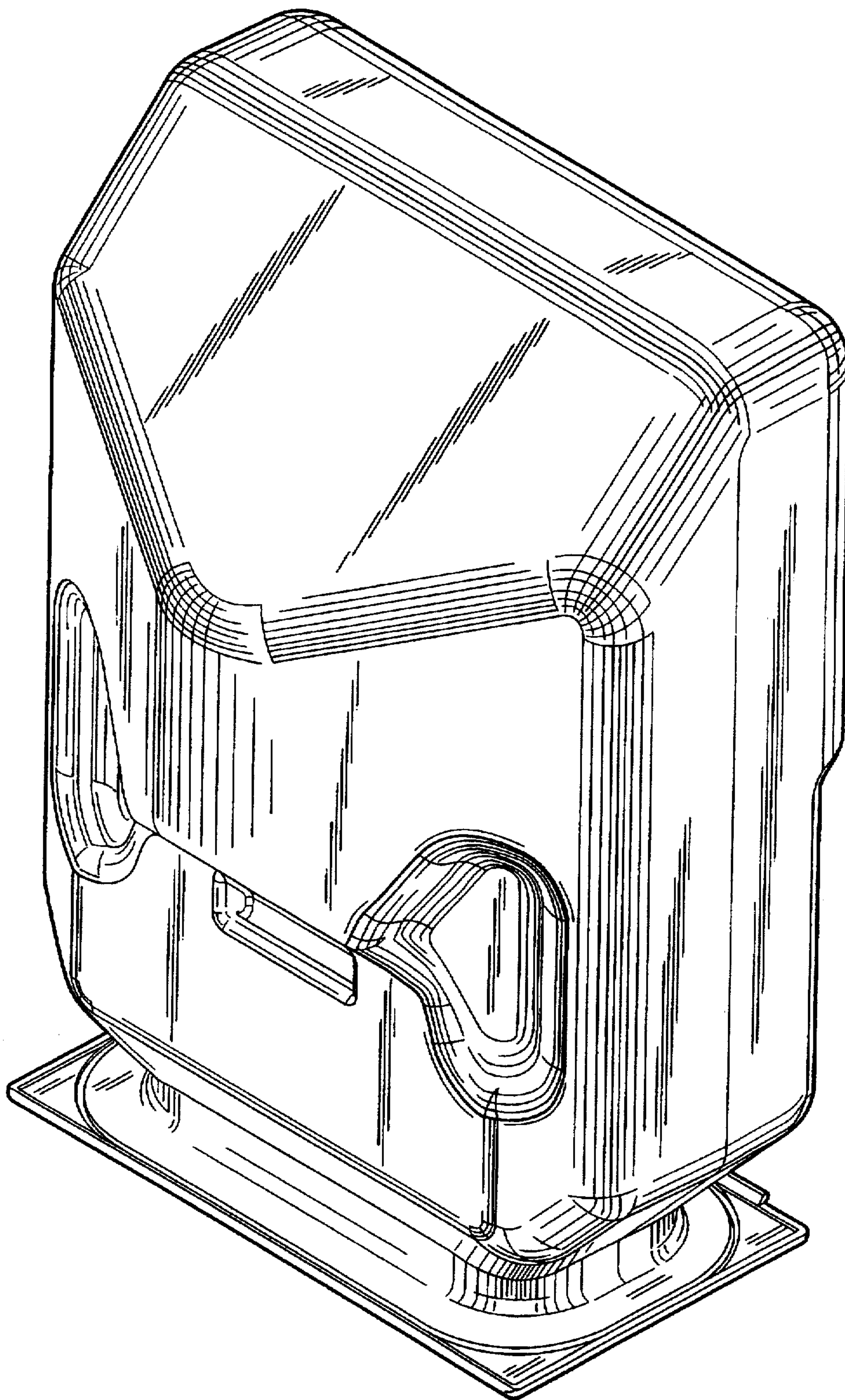


FIG. 1

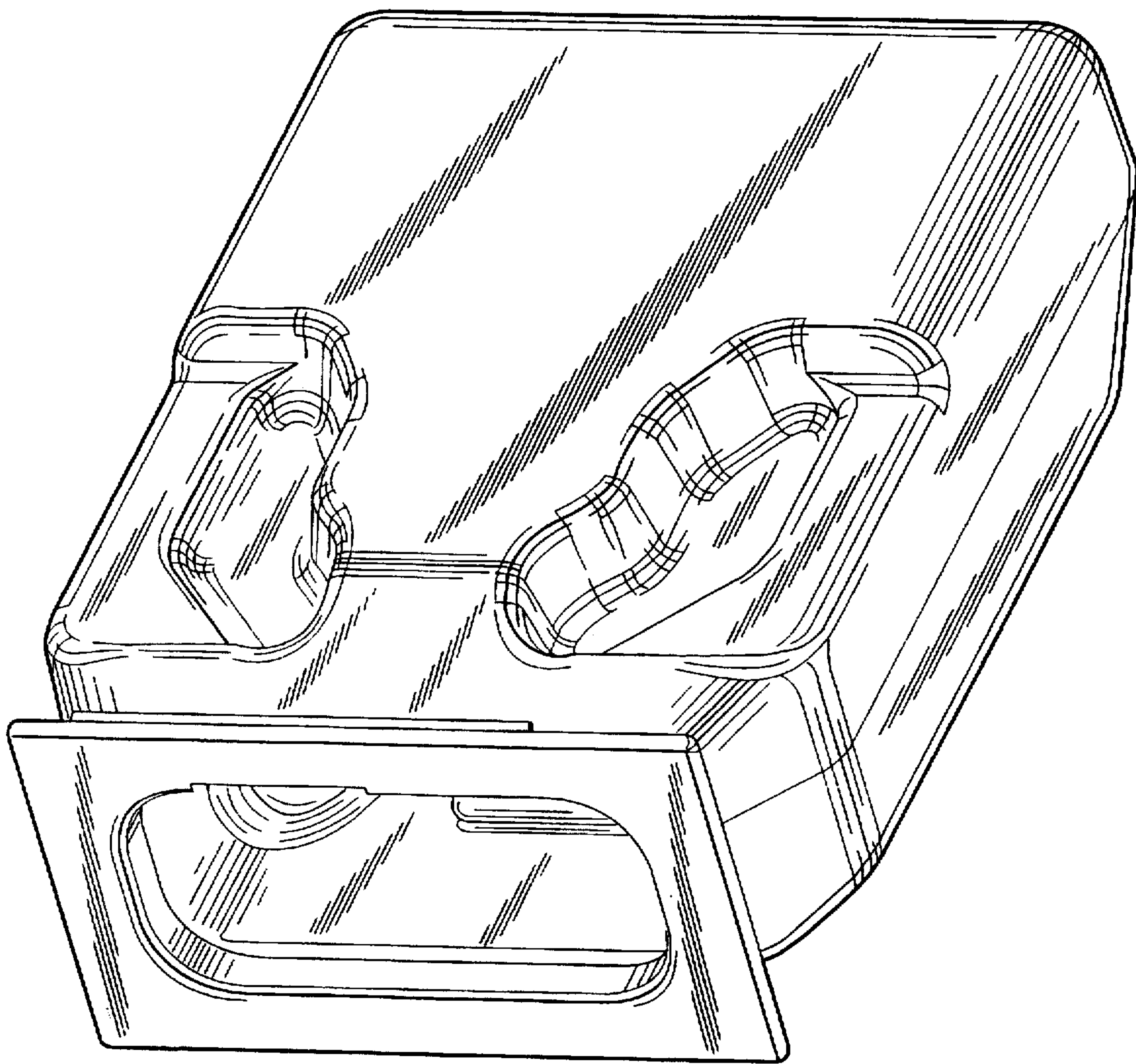


FIG. 2

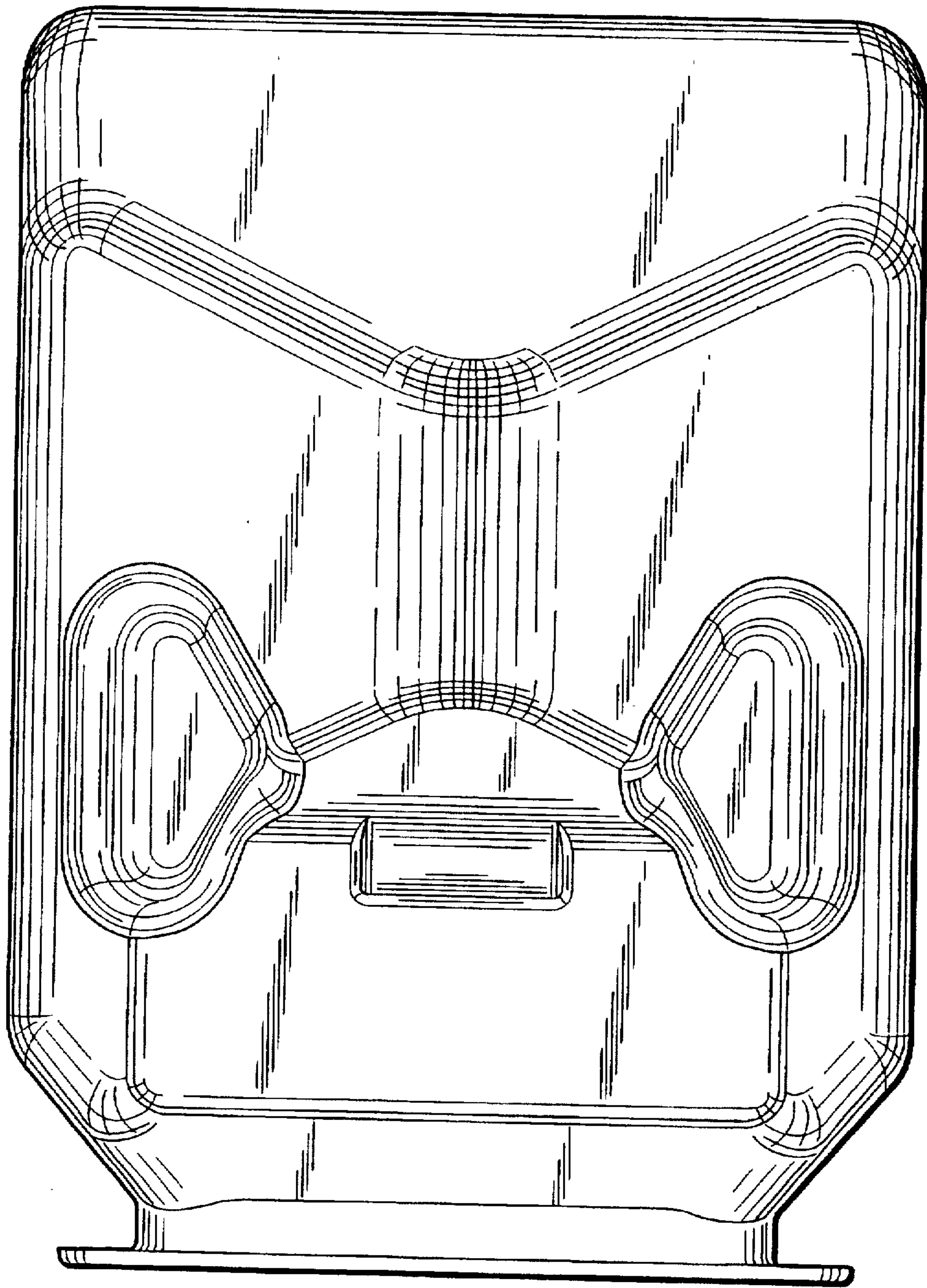


FIG. 3

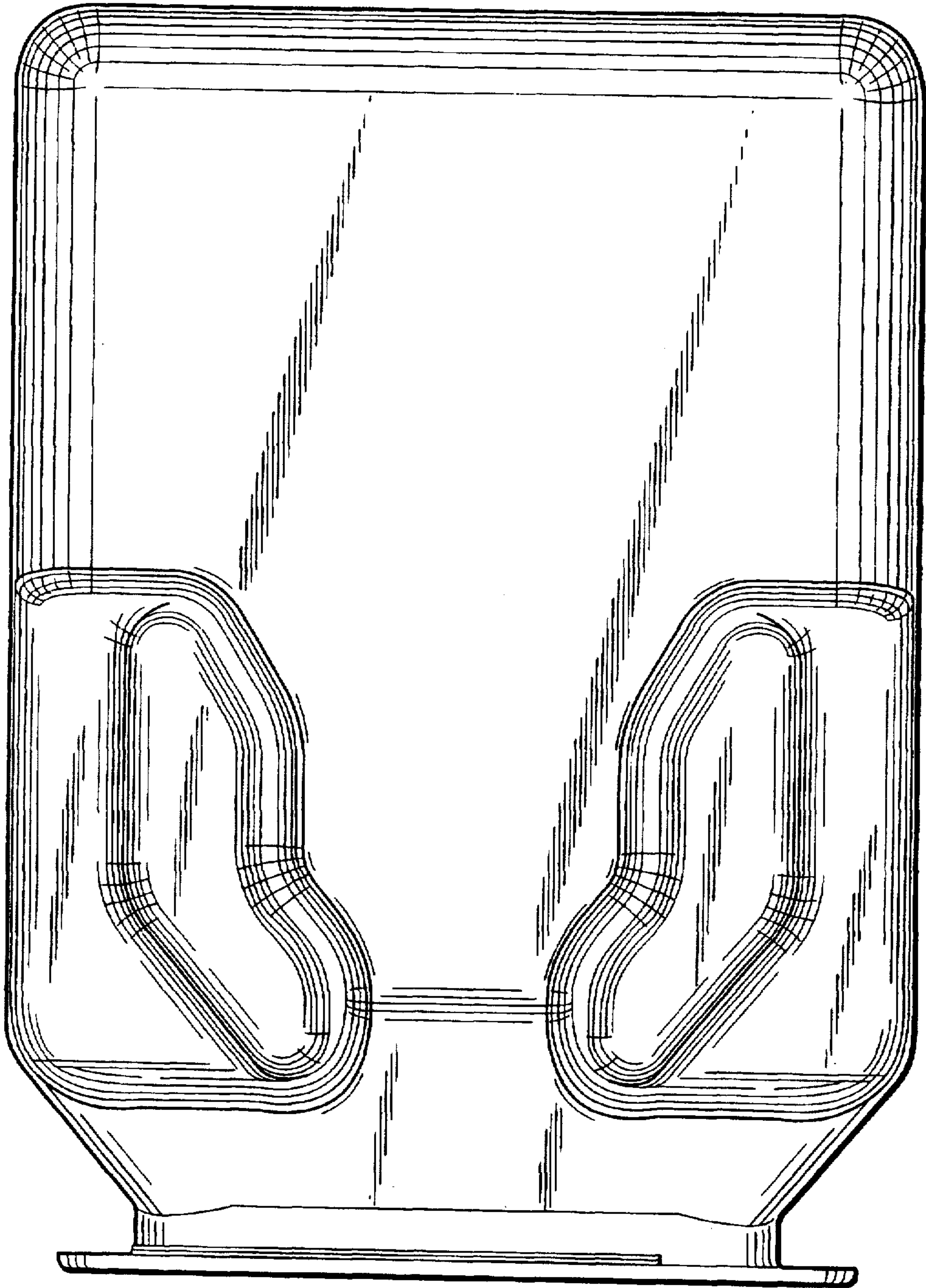


FIG. 4

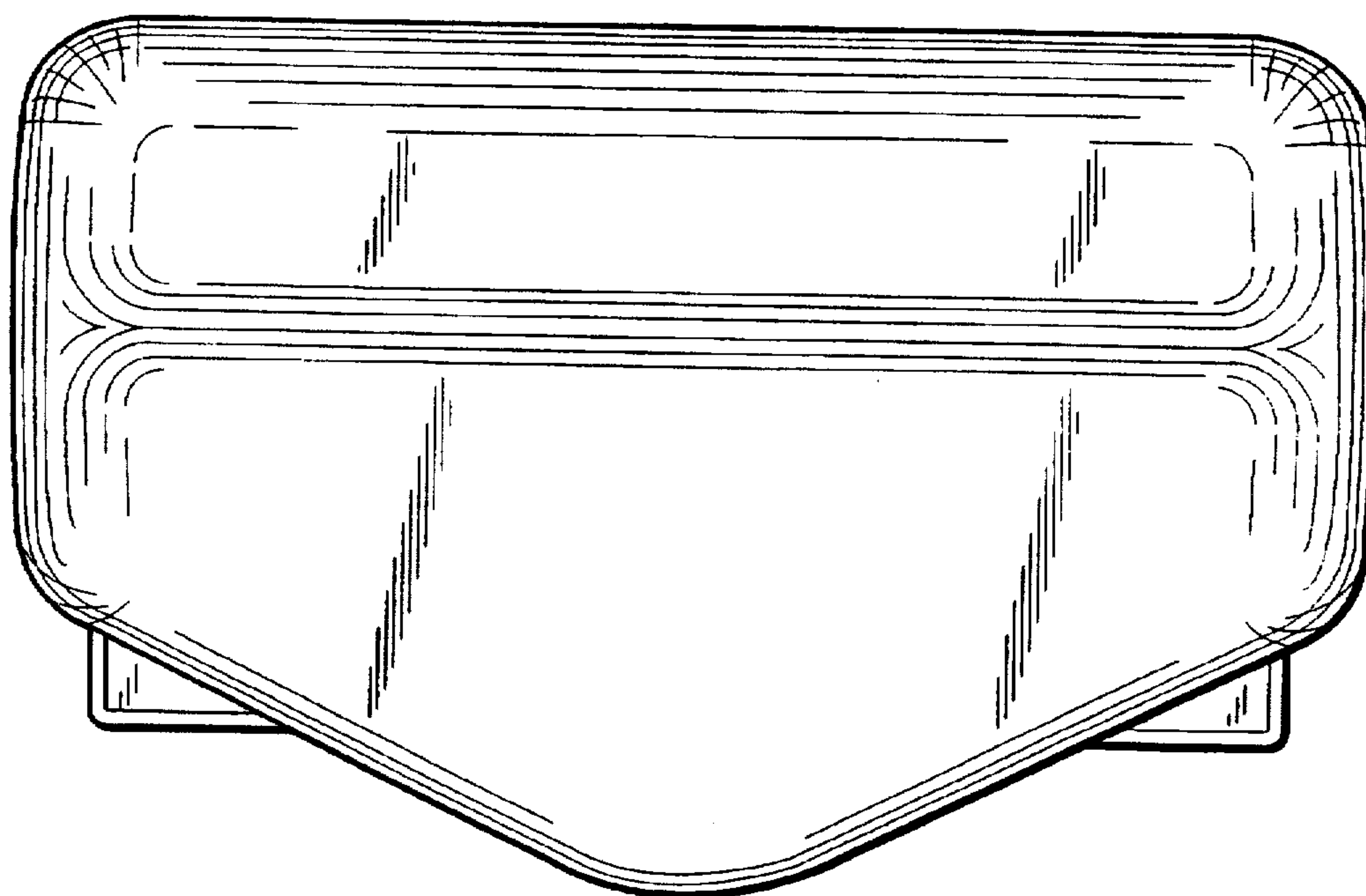


FIG.5

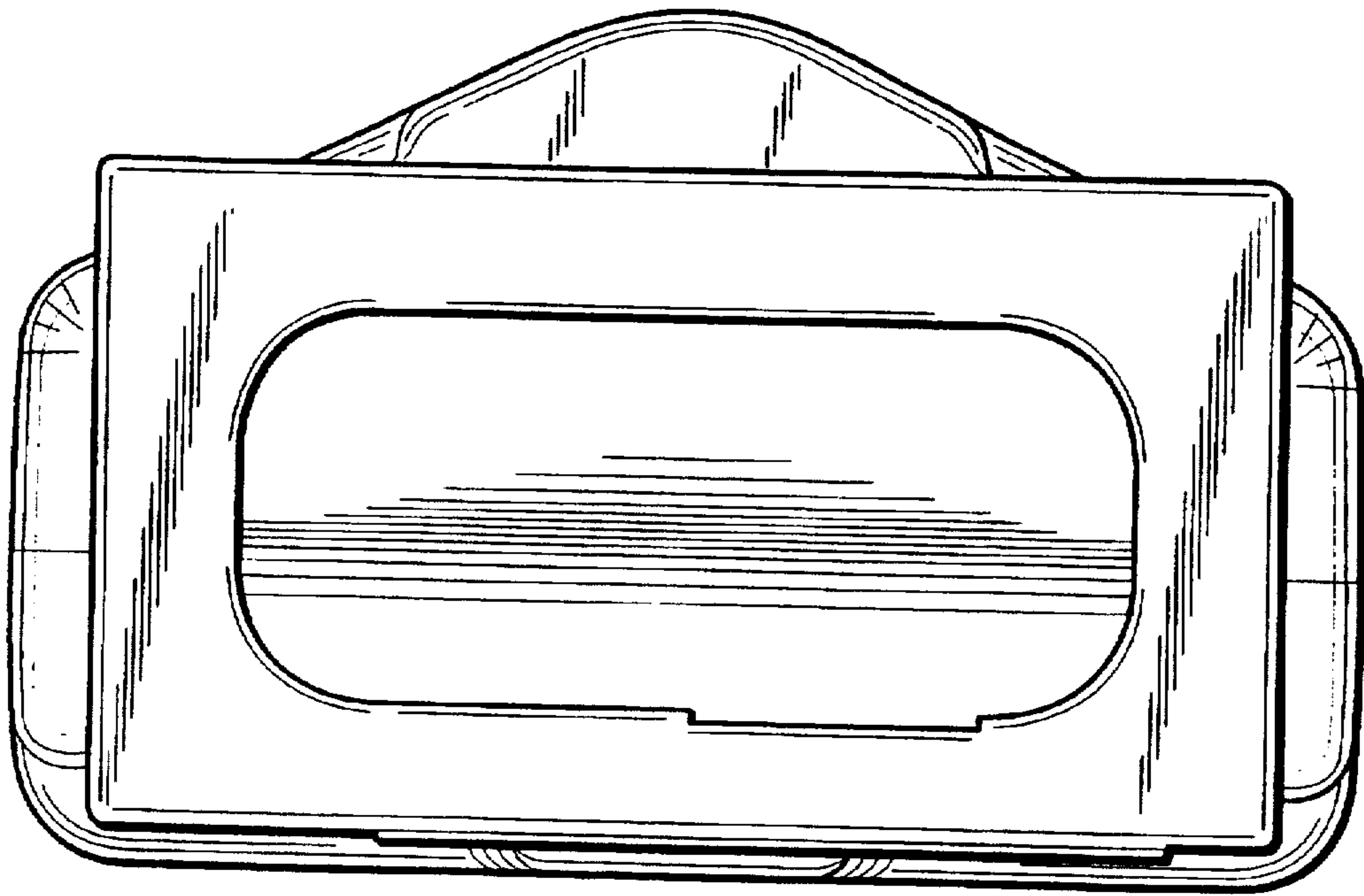


FIG. 6

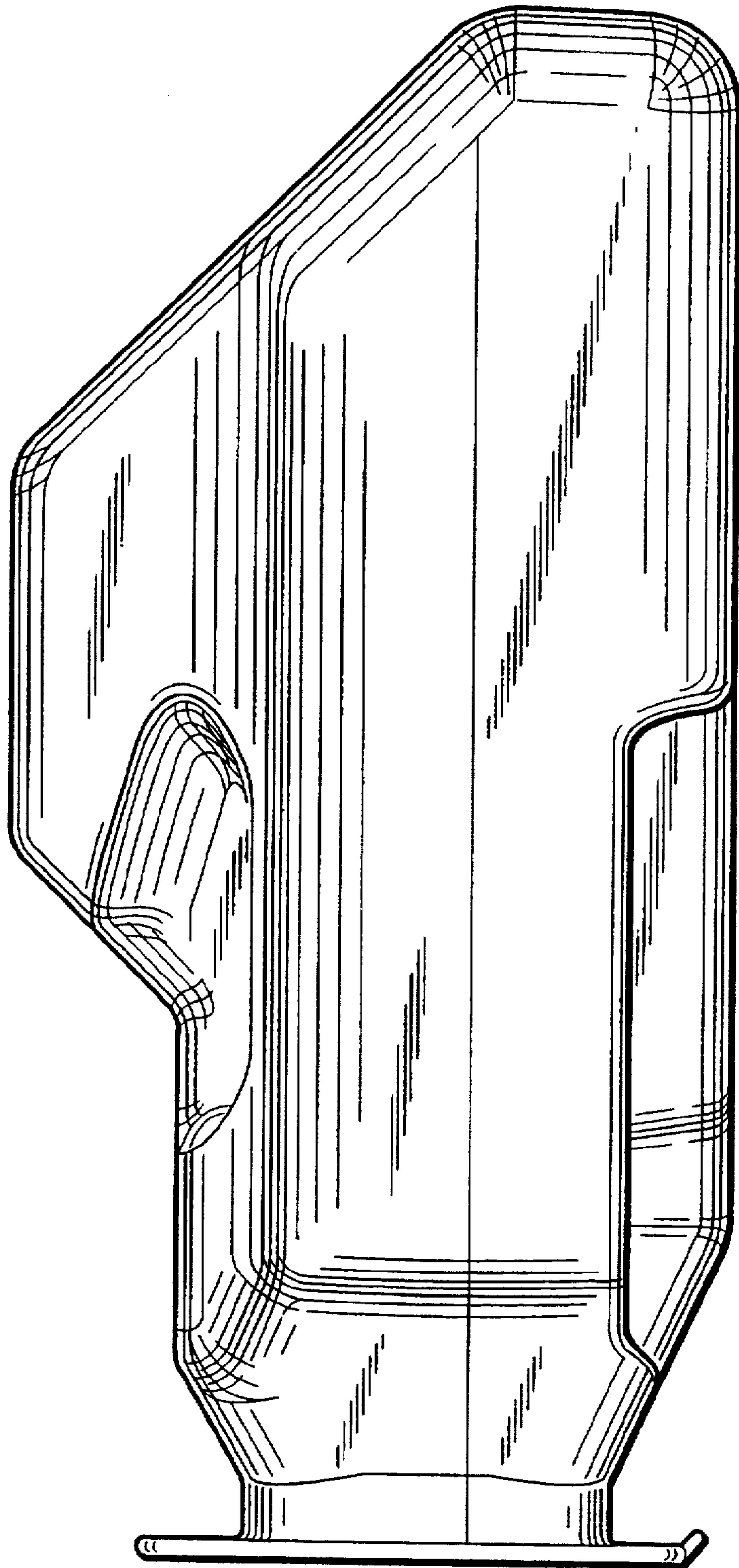


FIG. 7

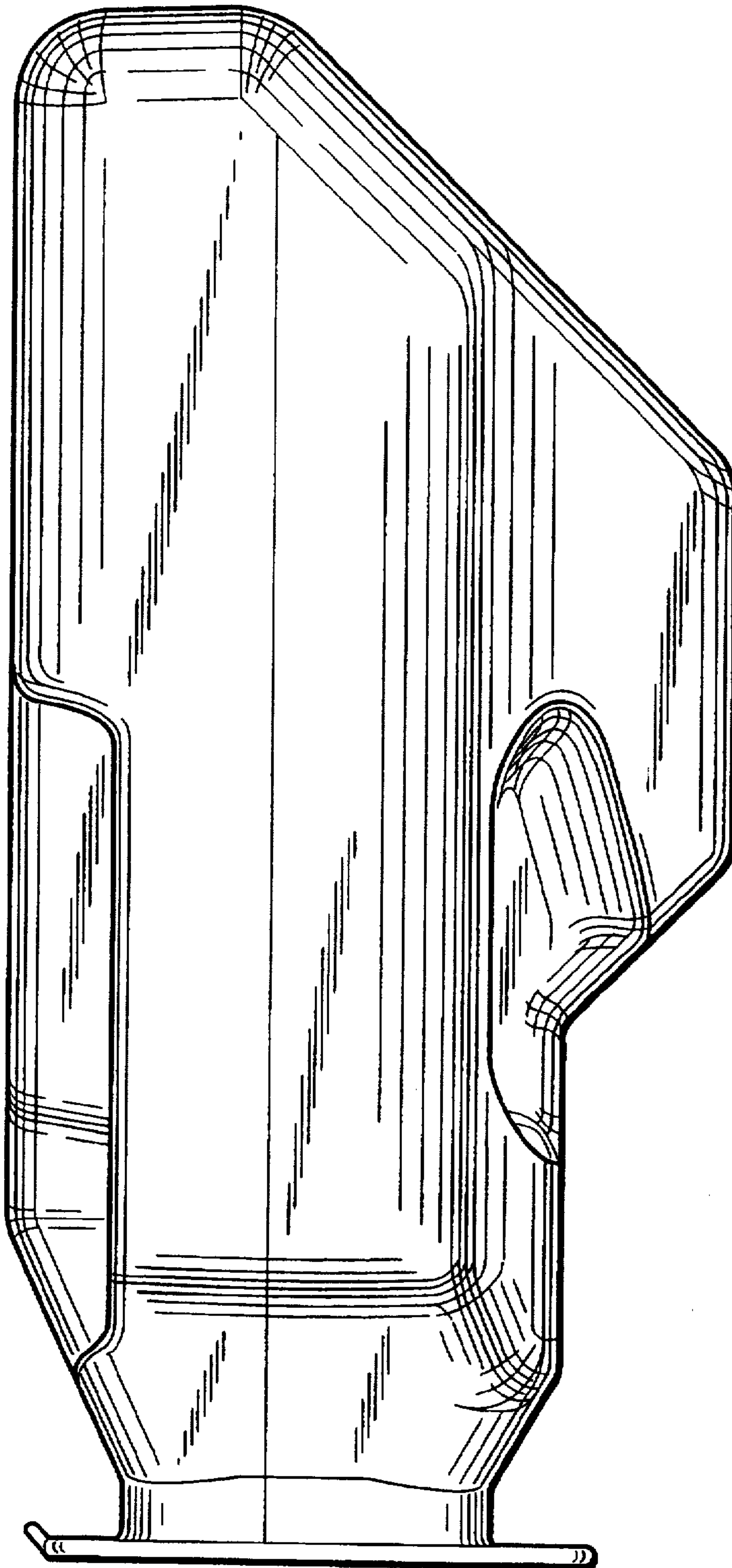


FIG. 8