



US00D408428S

United States Patent [19]

Ninomiya et al.

[11] Patent Number: Des. 408,428

[45] Date of Patent: **Apr. 20, 1999

[54] COMBINED VIDEO CAMERA WITH VIDEO TAPE RECORDER

[75] Inventors: **Shigetada Ninomiya; Masaaki Goto; Koji Masano; Akira Onoda**, all of Ehime, Japan

[73] Assignee: **Matsushita Electric Industrial Co., Ltd.**

[**] Term: 14 Years

[21] Appl. No.: 29/088,296

[22] Filed: May 20, 1998

[30] Foreign Application Priority Data

Dec. 17, 1997 [JP] Japan 9-78821

[51] LOC (6) CL 16-01

[52] U.S. Cl. D16/202

[58] Field of Search D16/200-208; 348/373-376; 352/242, 243; 358/906; 396/535-543

[56] References Cited

U.S. PATENT DOCUMENTS

D. 384,085	9/1997	Harata	D16/202
D. 391,281	2/1998	Itakura et al.	D16/202
D. 394,075	5/1998	Ninomiya et al.	D16/202
5,294,988	3/1994	Wakabayashi et al.	348/373

FOREIGN PATENT DOCUMENTS

976879 3/1997 Japan .

OTHER PUBLICATIONS

Video Magazine, p. 2 (Cannon's USC3), Jan. 1993.
Camcorder, p. 29 (Hitachi's VM-H39A), Dec. 1993.
Panasonic Sportsmate Digicam NV-DS5 Model, Catalog issued before Dec. 17, 1997.

Primary Examiner—Philip S. Hyder
Assistant Examiner—Adir Aronovich
Attorney, Agent, or Firm—Saidman DesignLaw Group

[57] CLAIM

The ornamental design for a combined video camera with video tape recorder, as shown and described.

DESCRIPTION

FIG. 1 is a perspective view of the top, front and right side of a combined video camera with video tape recorder showing our new design;

FIG. 2 is a front view thereof;

FIG. 3 is a rear view thereof;

FIG. 4 is a top plan view thereof;

FIG. 5 is a bottom view thereof;

FIG. 6 is a right side view thereof;

FIG. 7 is a left side view thereof; and,

FIG. 8 is a perspective view of the top, rear and right side thereof with the eye piece and the liquid crystal monitor in operative position.

1 Claim, 4 Drawing Sheets

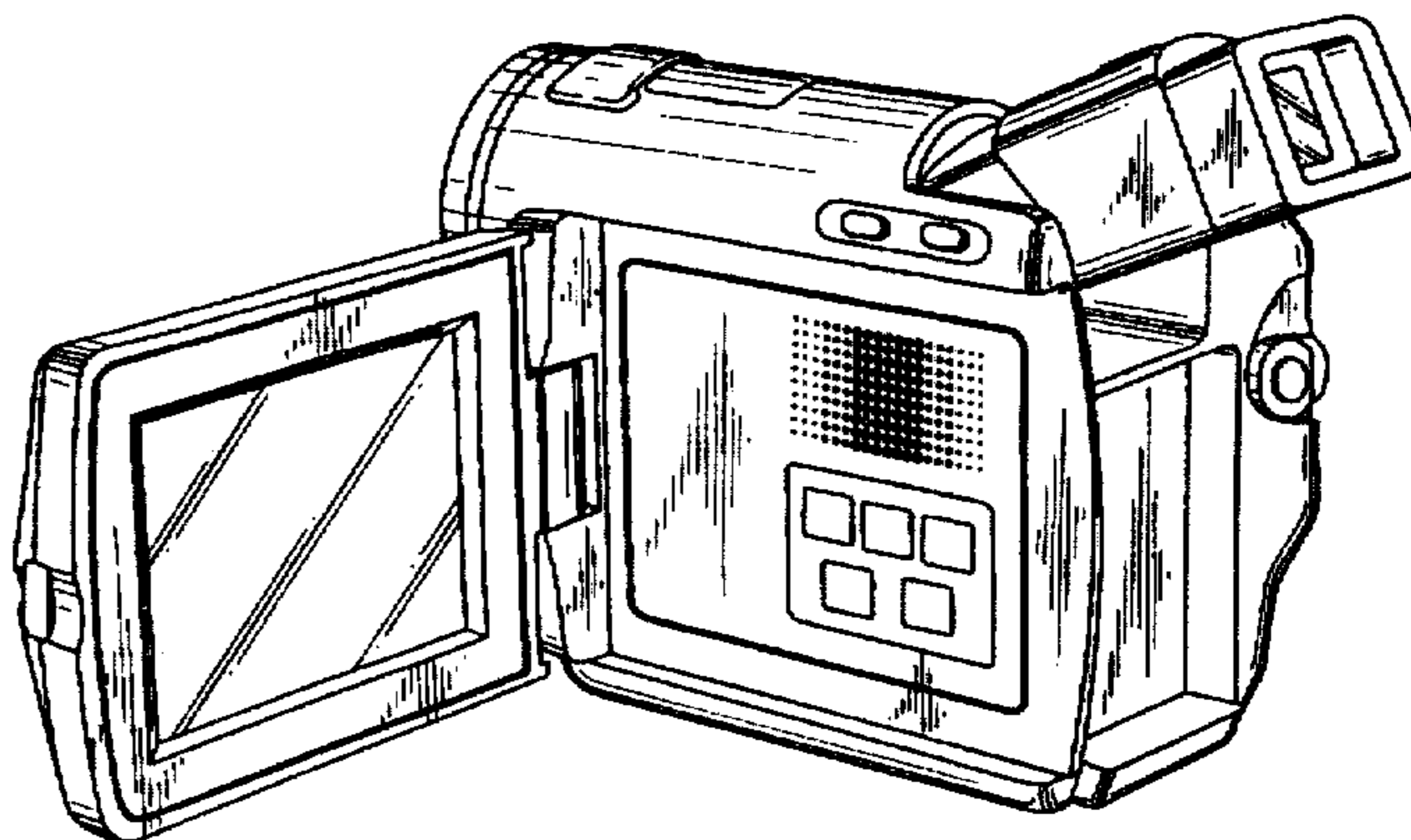
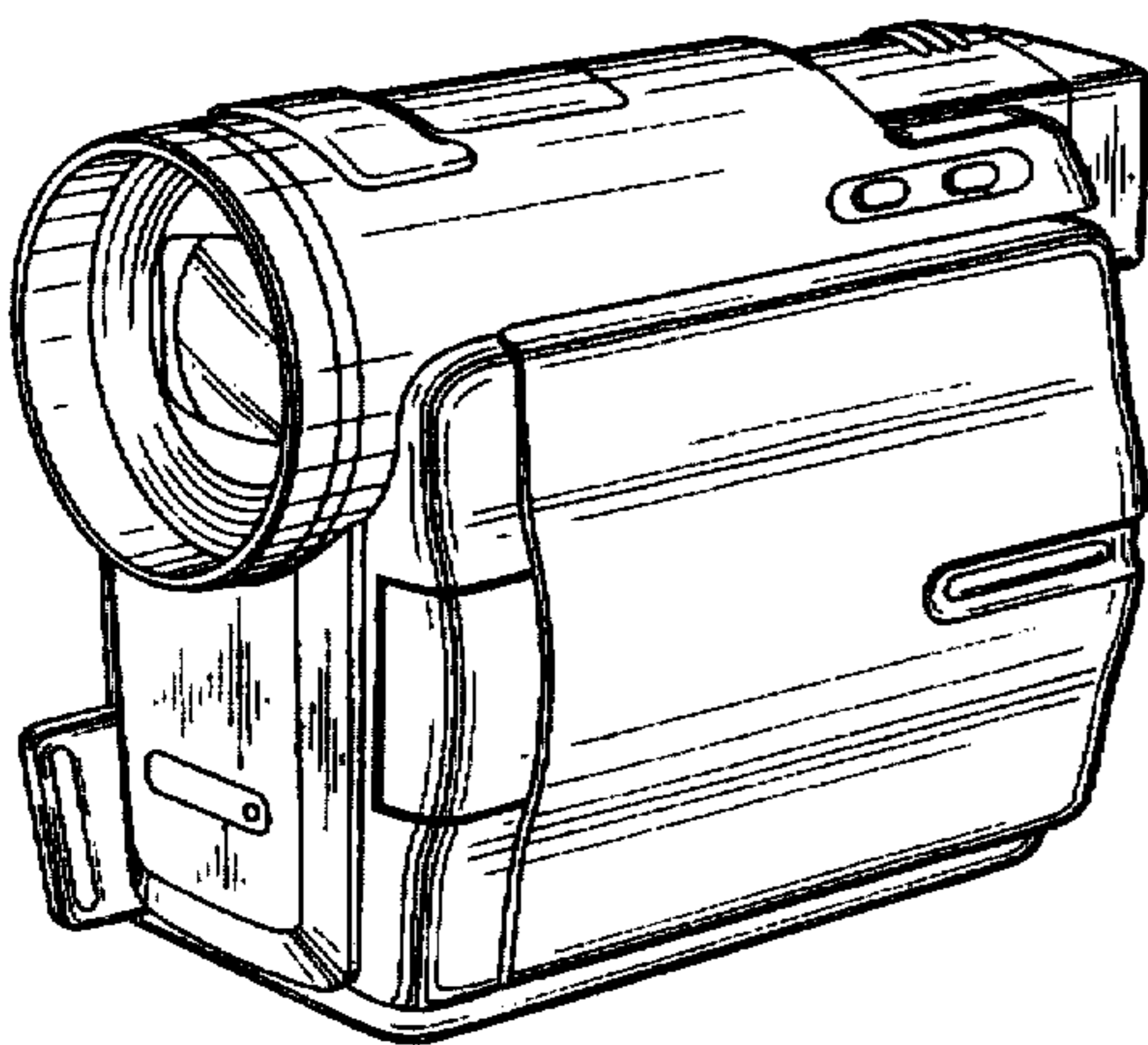


FIG. 1

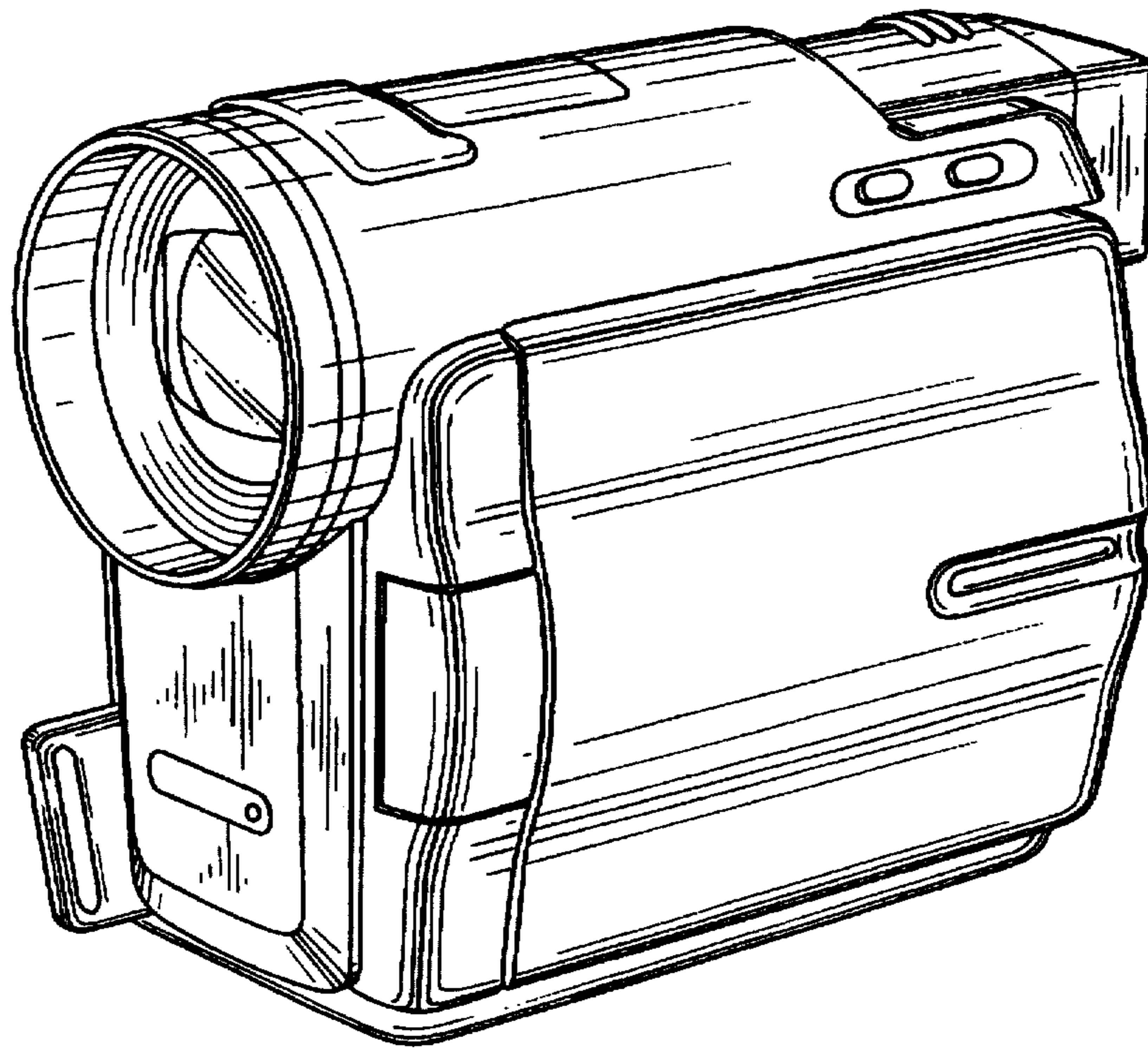


FIG. 2

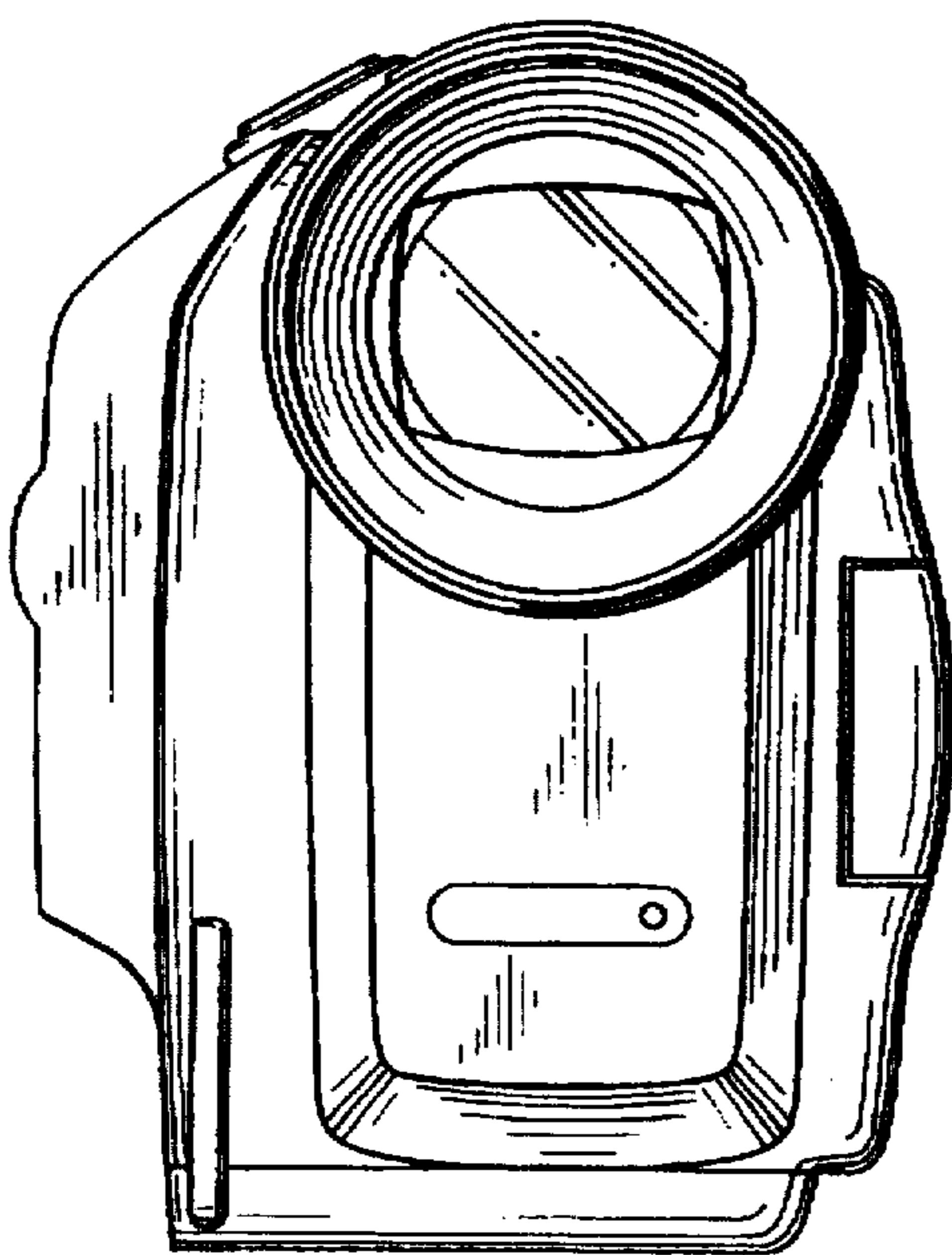


FIG. 3

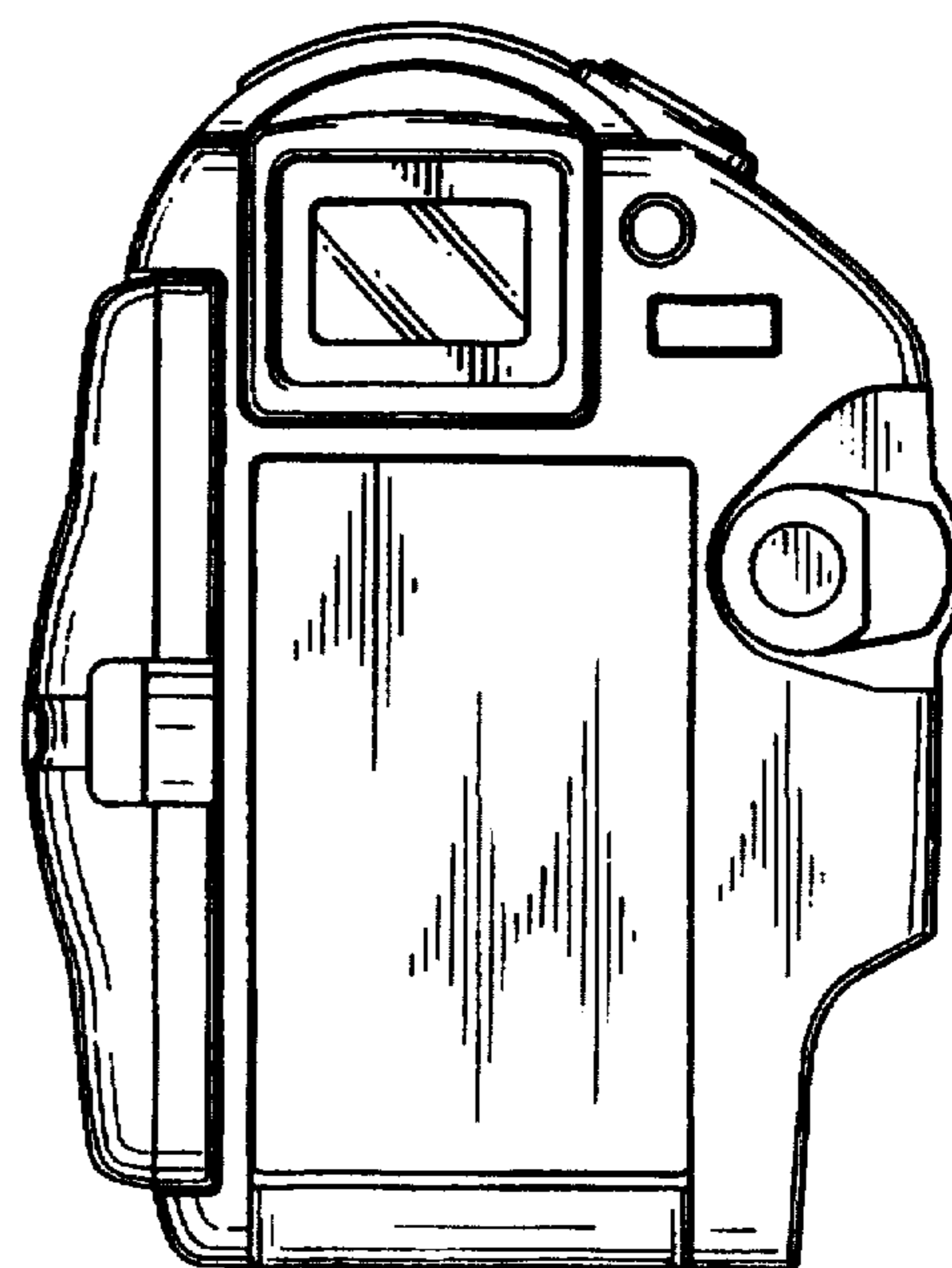


FIG. 4

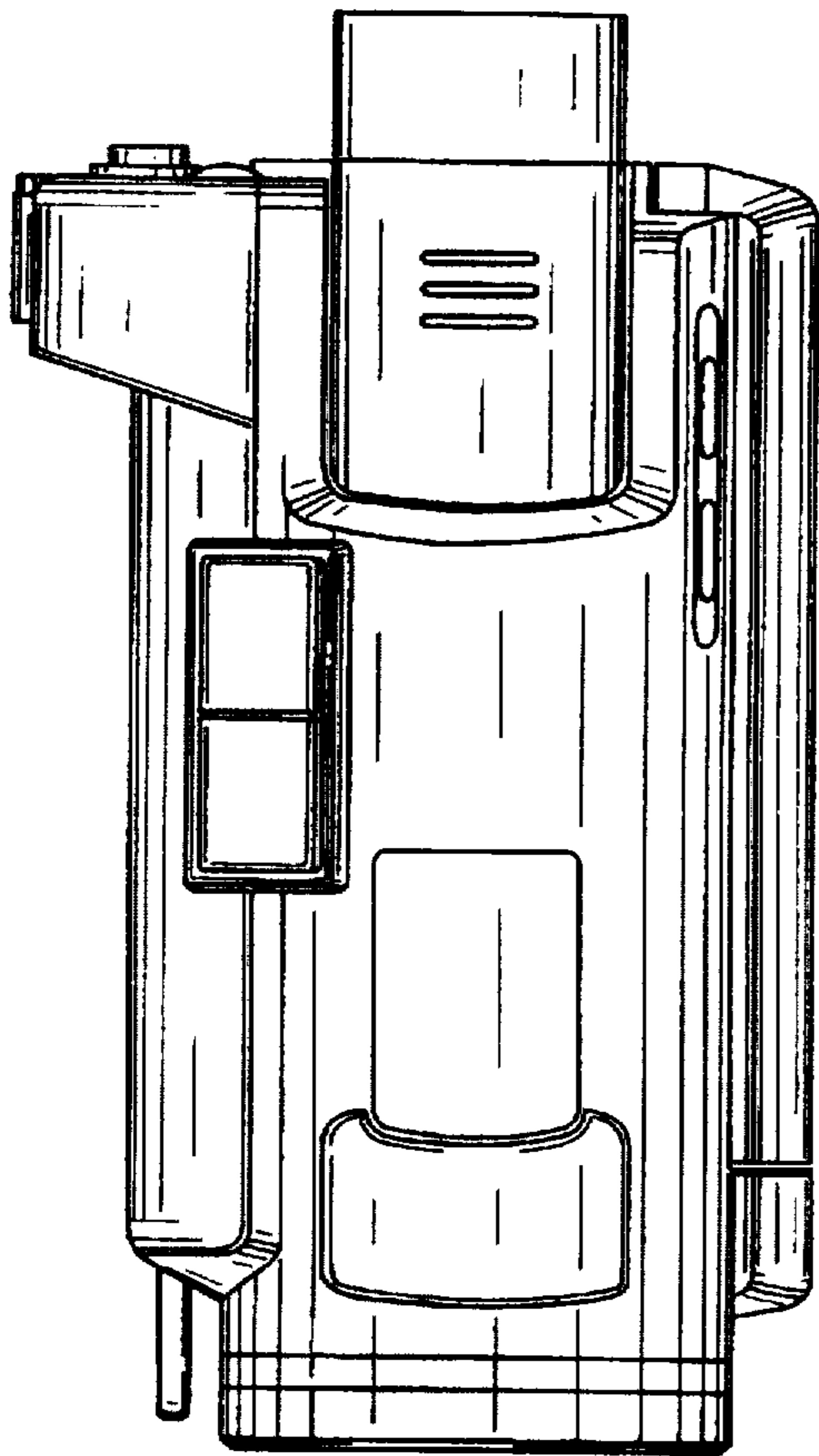


FIG. 5

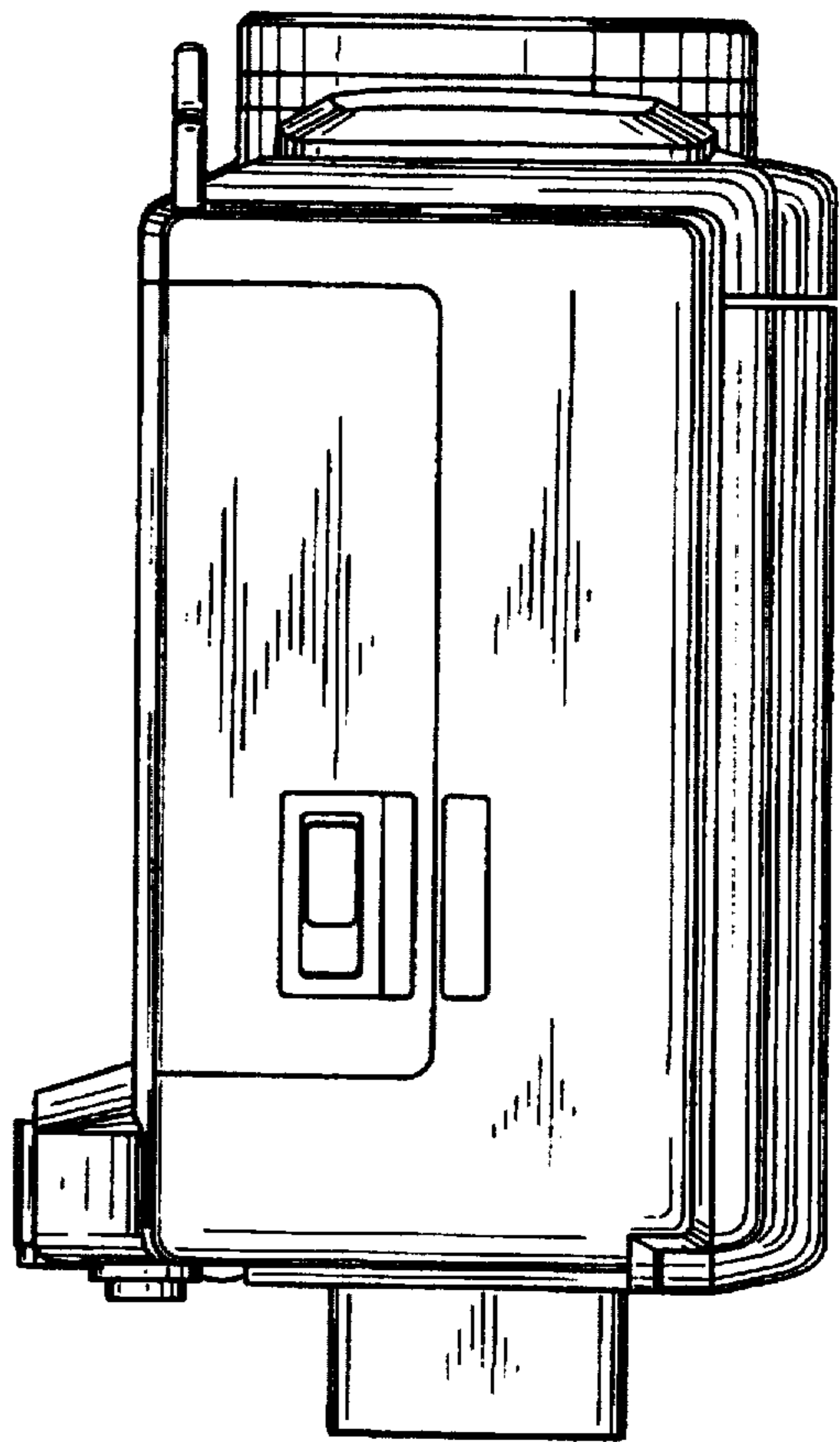


FIG. 6

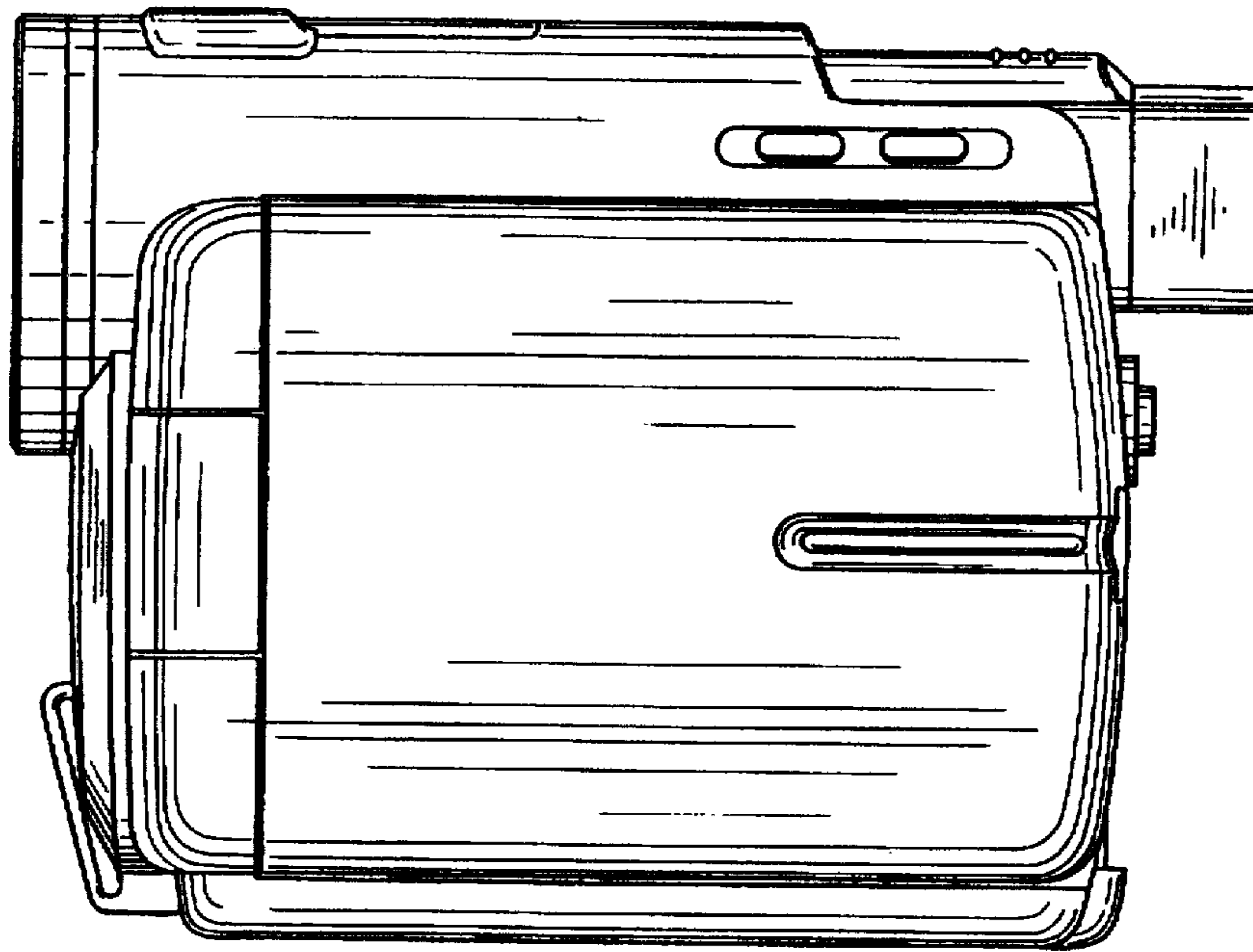


FIG. 7

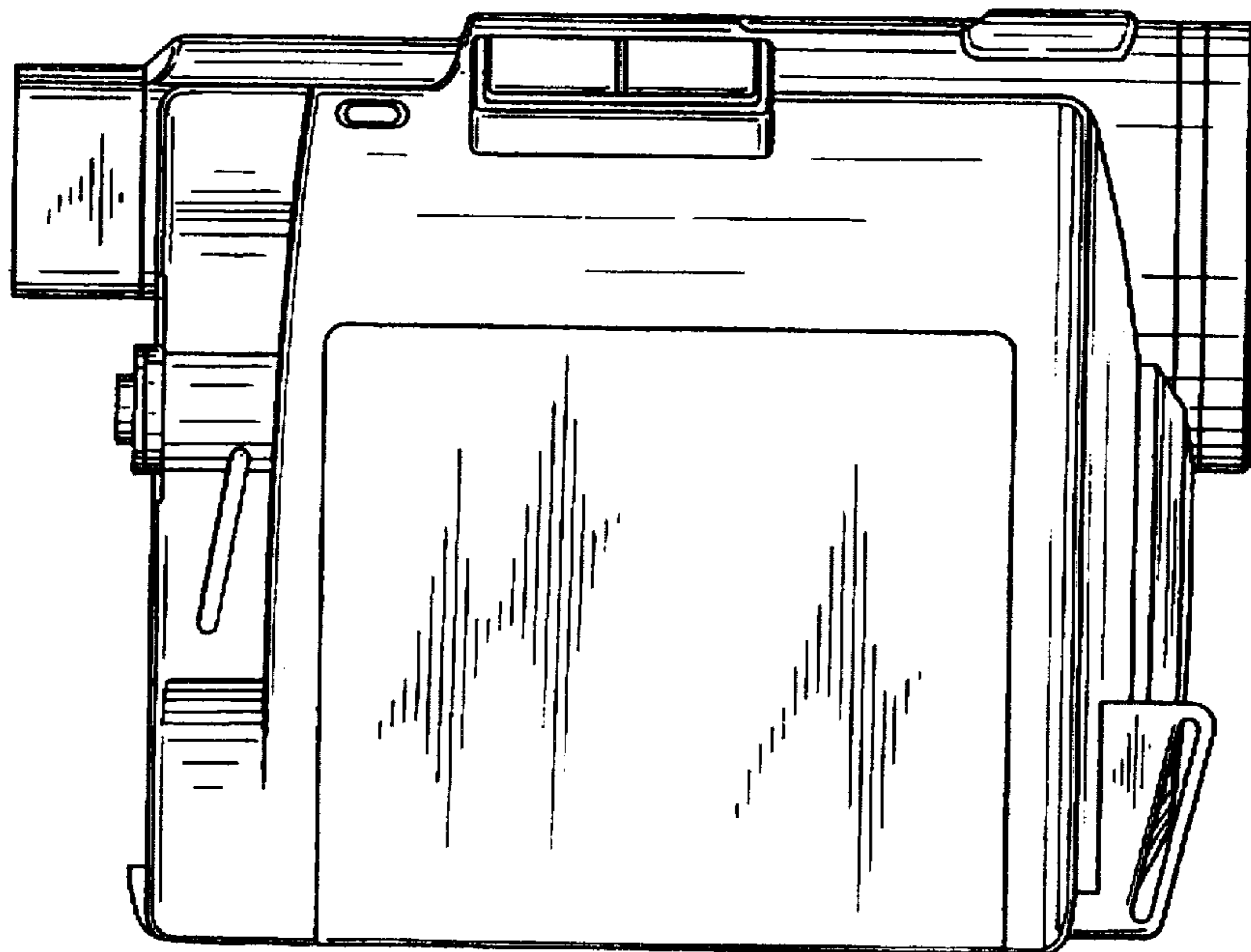


FIG. 8

