



US00D408427S

United States Patent [19]

Saeki et al.

[11] Patent Number: Des. 408,427

[45] Date of Patent: **Apr. 20, 1999

[54] COMBINED MONITOR SCREEN, VIDEO TAPE RECORDER AND VIDEO CAMERA

[75] Inventors: Taisuke Saeki; Hiroshi Ohi; Seiji Kurokawa, all of Tochigi-ken, Japan

[73] Assignee: Sharp Kabushiki Kaisha, Osaka, Japan

[**] Term: 14 Years

[21] Appl. No.: 29/086,640

[22] Filed: Apr. 10, 1998

[30] Foreign Application Priority Data

Oct. 16, 1997 [JP] Japan 9-71885

[51] LOC (6) CL 16-01

[52] U.S. CL D16/202

[58] Field of Search D16/200-208; 348/373-376; 358/906, 909.1; 352/242, 243

[56] References Cited

U.S. PATENT DOCUMENTS

D. 341,368	11/1993	Ooi et al.	D16/202
D. 341,369	11/1993	Sakata	D16/202
D. 347,235	5/1994	Ooi et al.	D16/202
D. 347,236	5/1994	Ooi et al.	D16/202
D. 351,157	10/1994	Usami et al.	D14/129
D. 352,728	11/1994	Kurokawa et al.	D16/202
D. 352,729	11/1994	Tsujimura et al.	D16/202
D. 356,097	3/1995	Sakata et al.	D16/202
D. 365,116	12/1995	Ohi et al.	D16/202
D. 365,587	12/1995	Saeki et al.	D16/202
D. 366,269	1/1996	Ohi et al.	D16/202
D. 366,492	1/1996	Kume et al.	D16/202
D. 366,658	1/1996	Fukutome	D14/168

D. 380,226	6/1997	Ohi et al.	D16/202
D. 386,507	11/1997	Ohi et al.	D16/202
D. 391,281	2/1998	Itakura et al.	D16/202
D. 392,298	3/1998	Ohi et al.	D16/202
D. 394,867	6/1998	Lee	D16/202
D. 401,256	11/1998	Harata	D16/202
5,499,052	3/1996	Nankanishi et al.	348/273

OTHER PUBLICATIONS

Sony Handycam Catalog, p. 9, Jun. 1996.
Japanese Patent No. 976879, p. 105, Mar. 1997.

Primary Examiner—Adir Aronovich
Attorney, Agent, or Firm—Nixon & Vanderhye

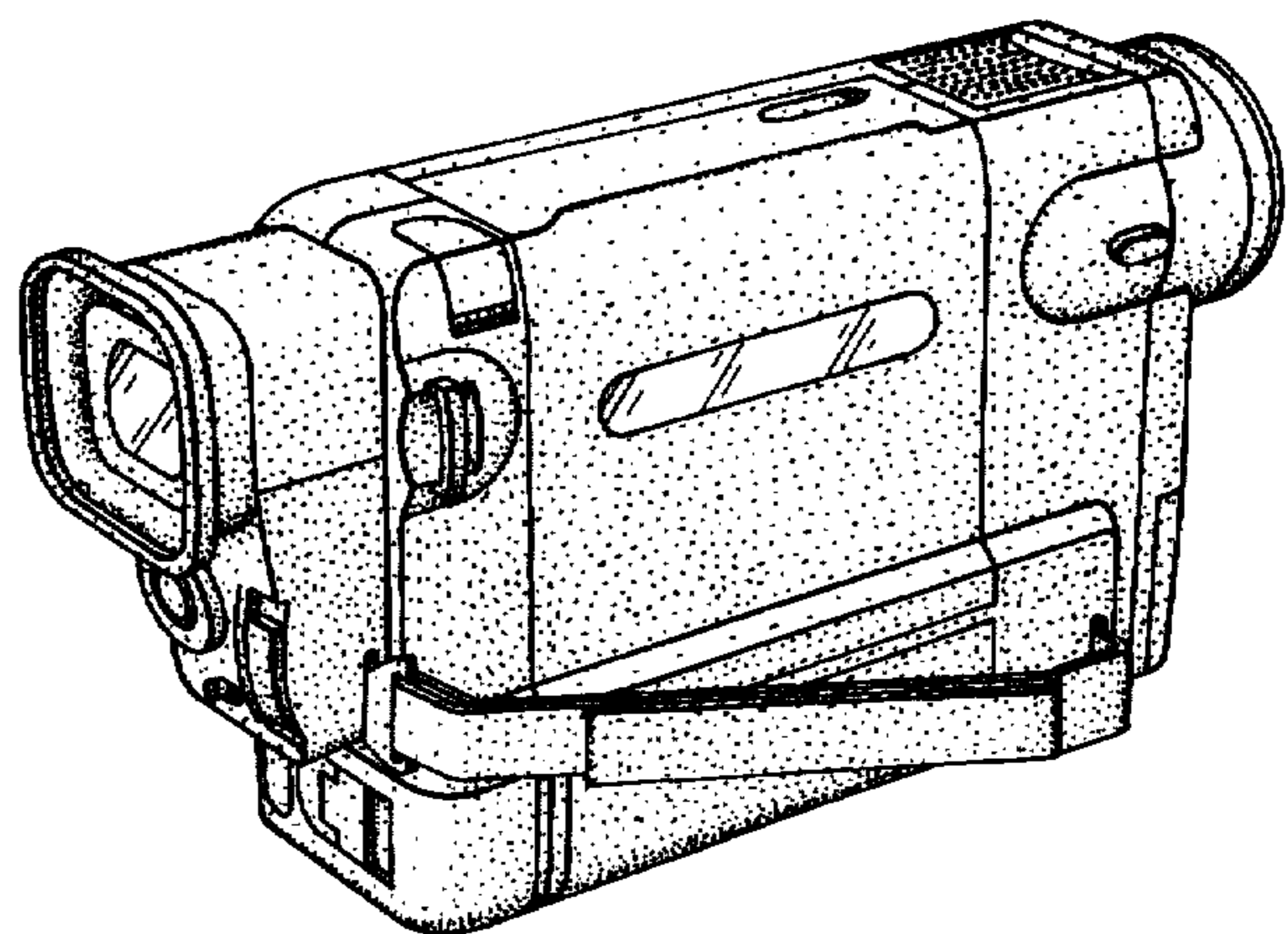
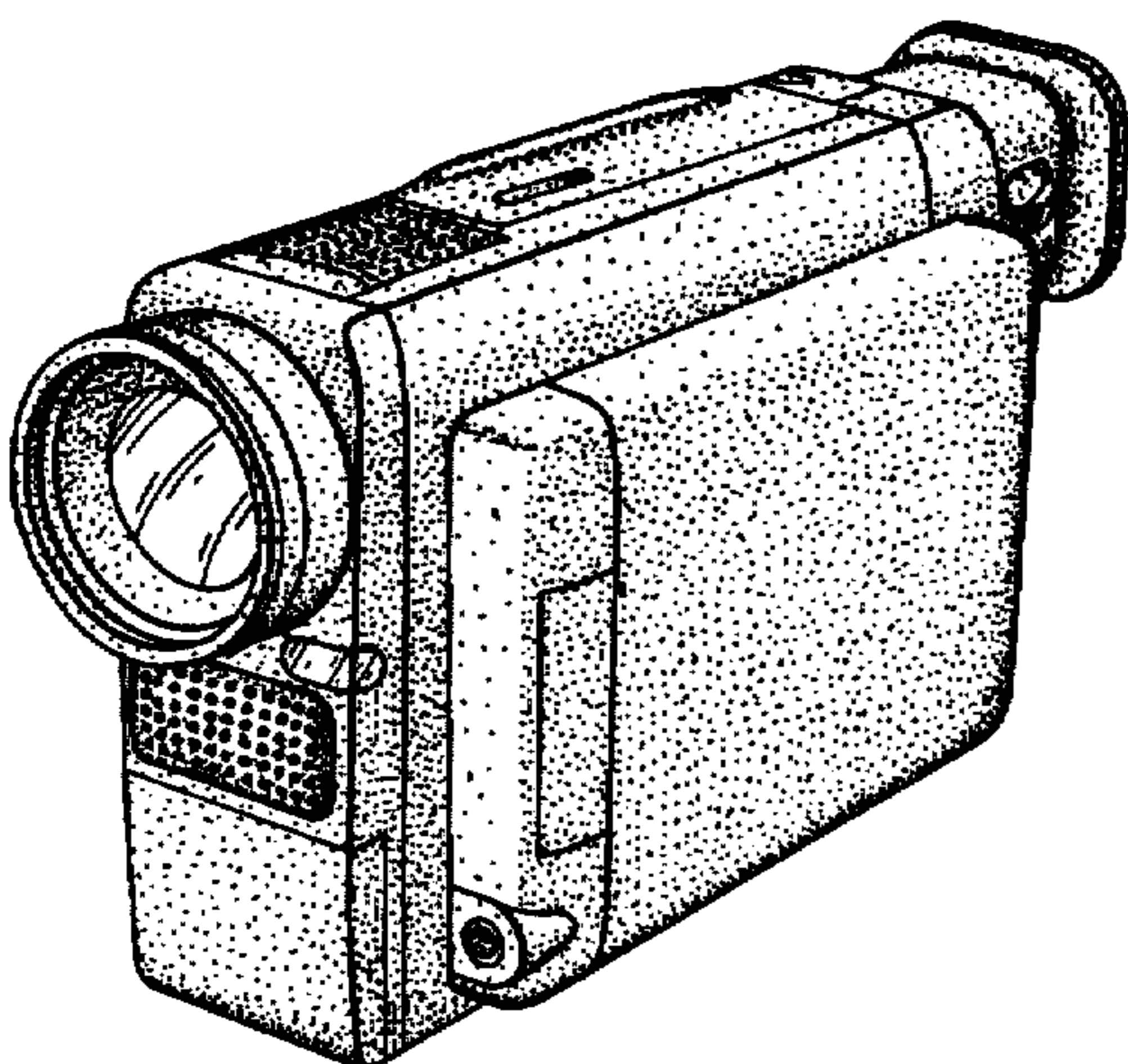
[57] CLAIM

The ornamental design for a combined monitor screen, video tape recorder and video camera, as shown and described.

DESCRIPTION

FIG. 1 is a top, front and right side perspective view of a combined monitor screen, video tape recorder and video camera according to our design; FIG. 2 is a top, rear and left side perspective view thereof; FIG. 3 is a top plan view thereof; FIG. 4 is a front elevational view thereof; FIG. 5 is a right side elevational view thereof; FIG. 6 is a rear elevational view thereof; FIG. 7 is a left side elevational view thereof; FIG. 8 is a bottom plan view thereof; FIG. 9 is a view similar to FIG. 1 with the monitor screen in an open position; and, FIG. 10 is a view similar to FIG. 9 with the monitor screen open and rotated 180°.

1 Claim, 8 Drawing Sheets



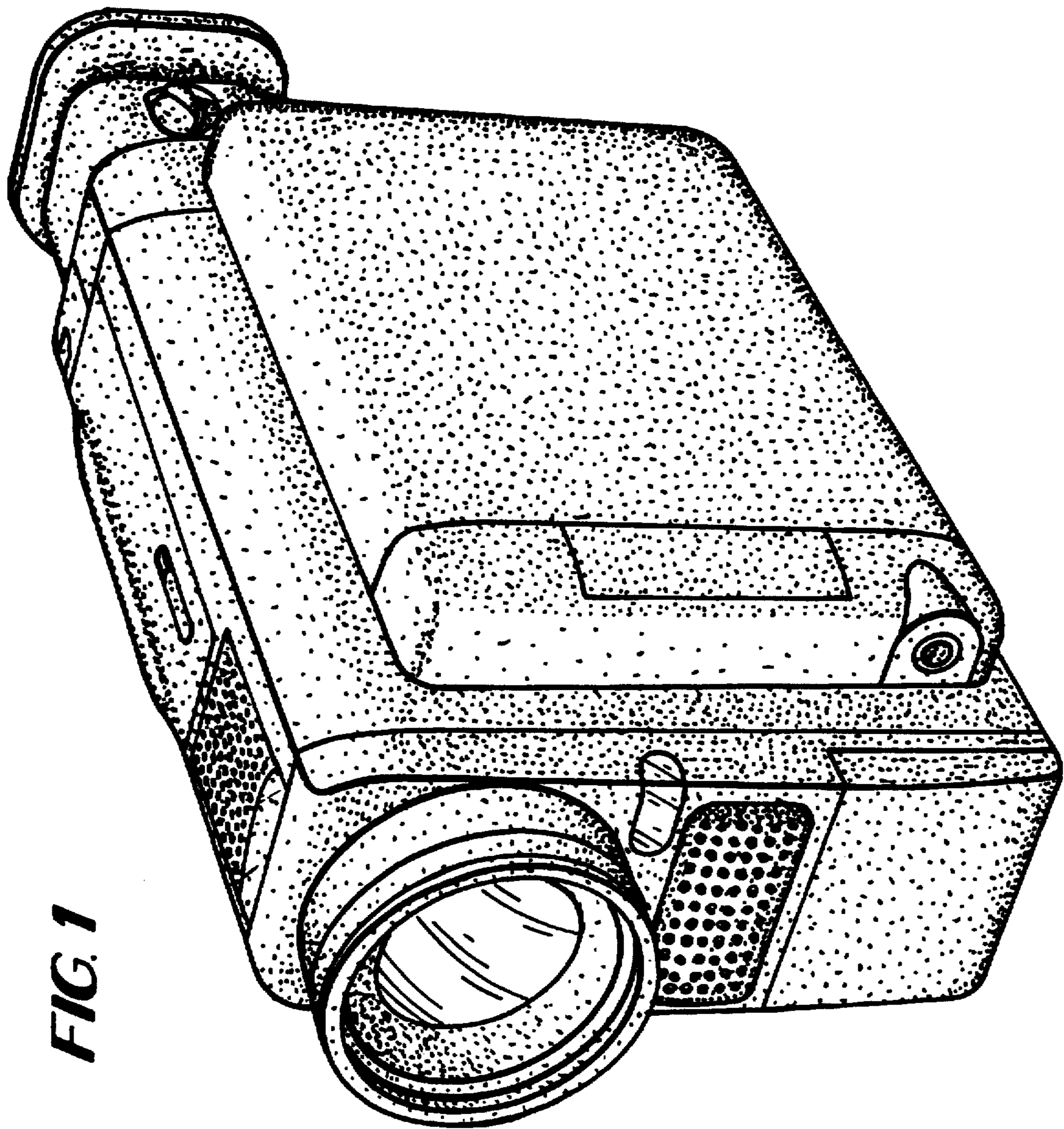


FIG. 1

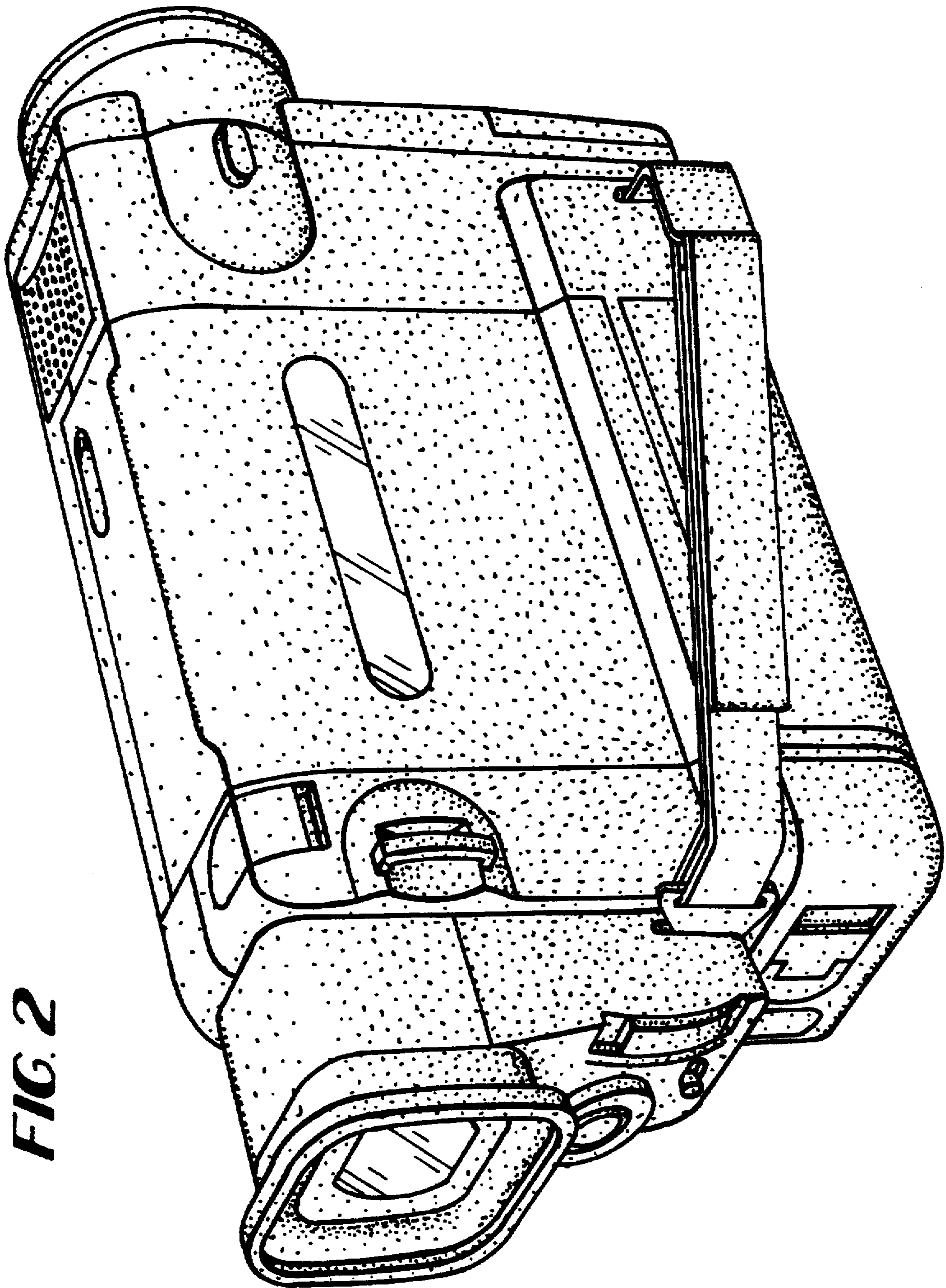


FIG. 2

FIG. 3

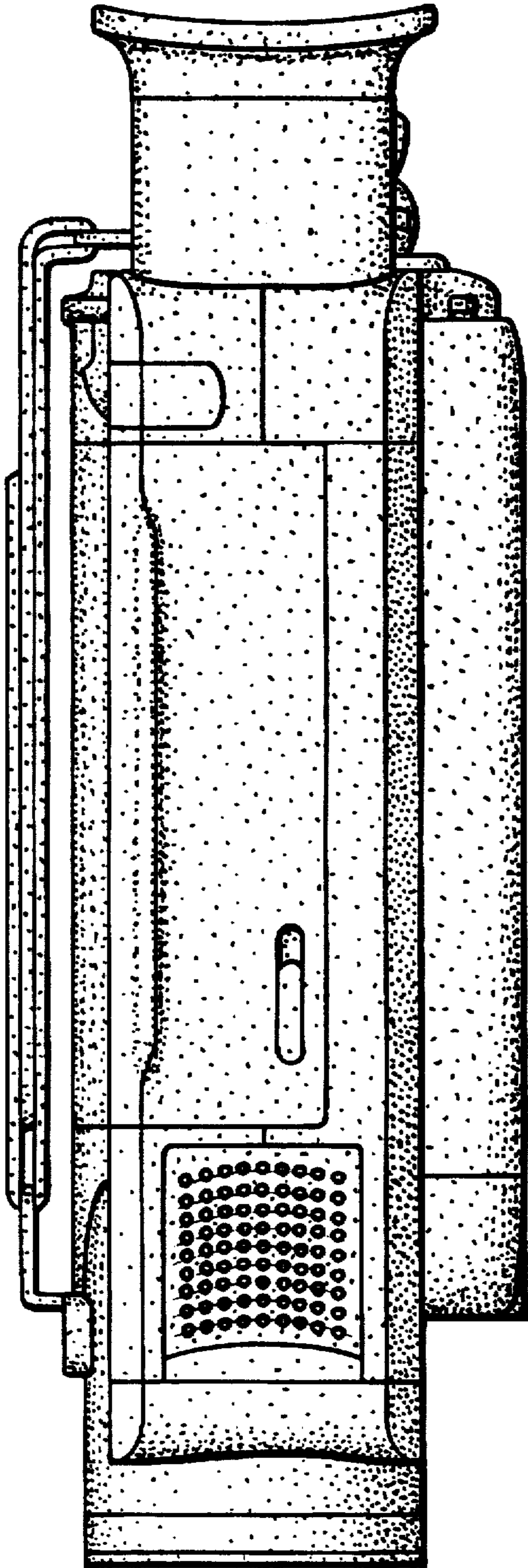


FIG. 4

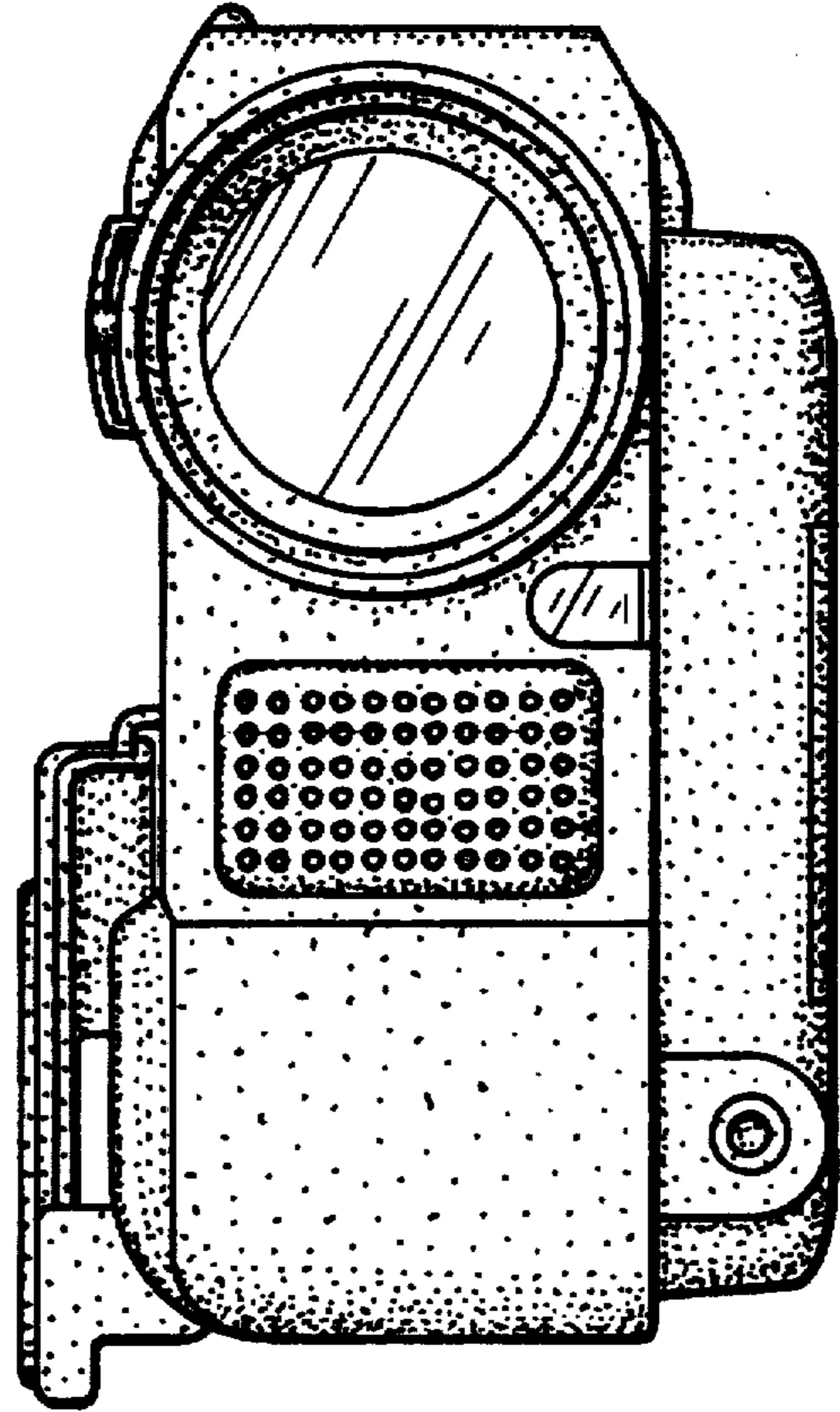


FIG. 5

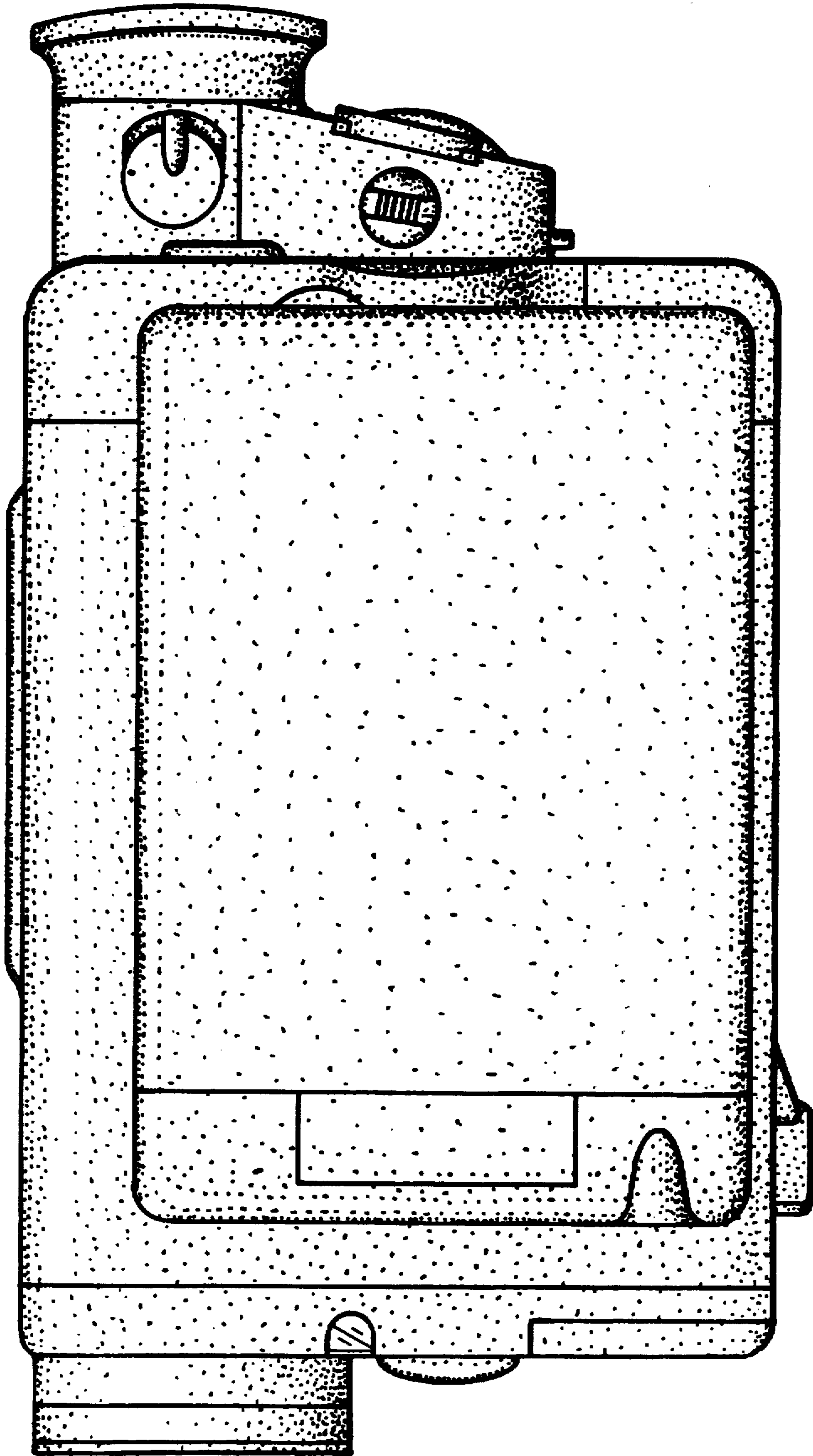


FIG. 6

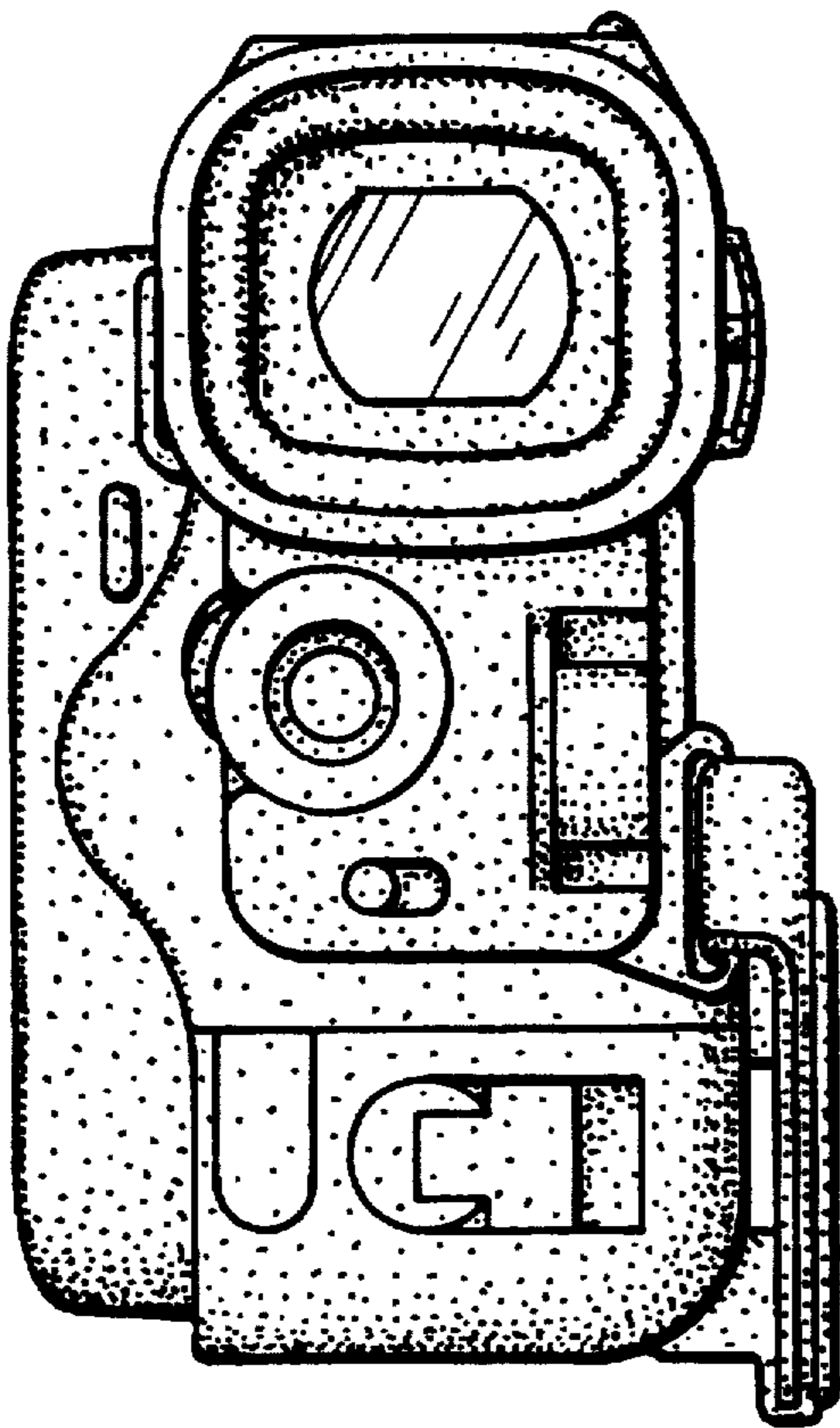


FIG. 8

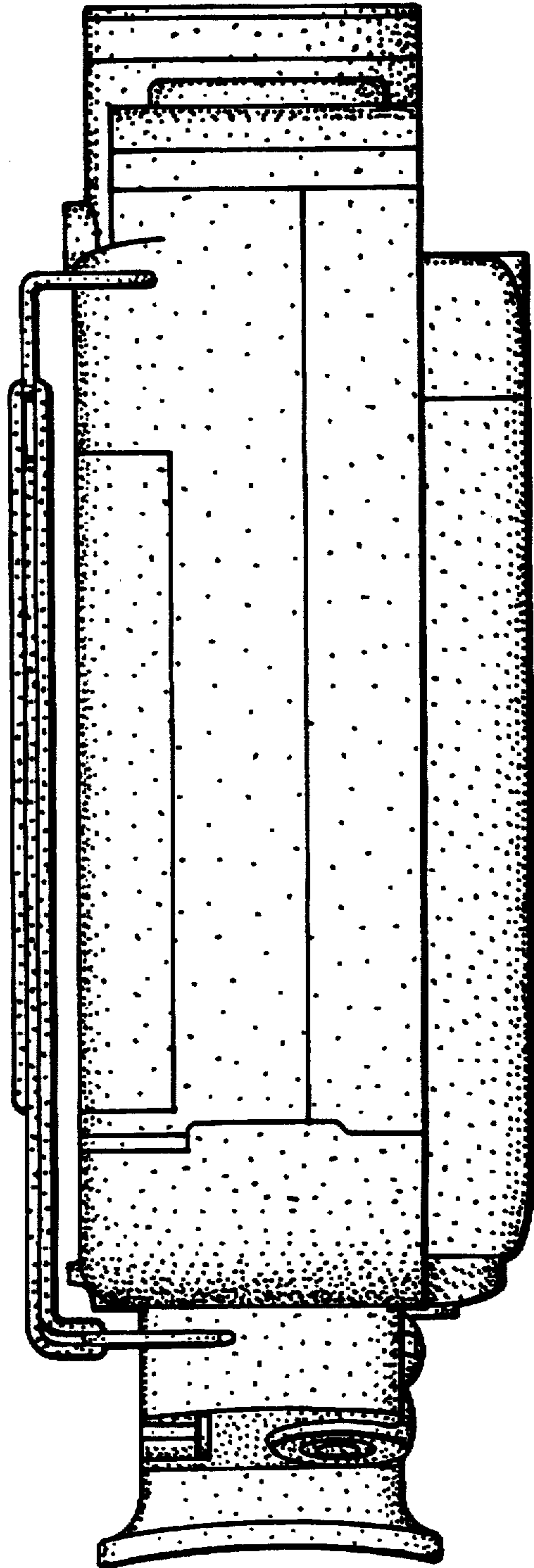
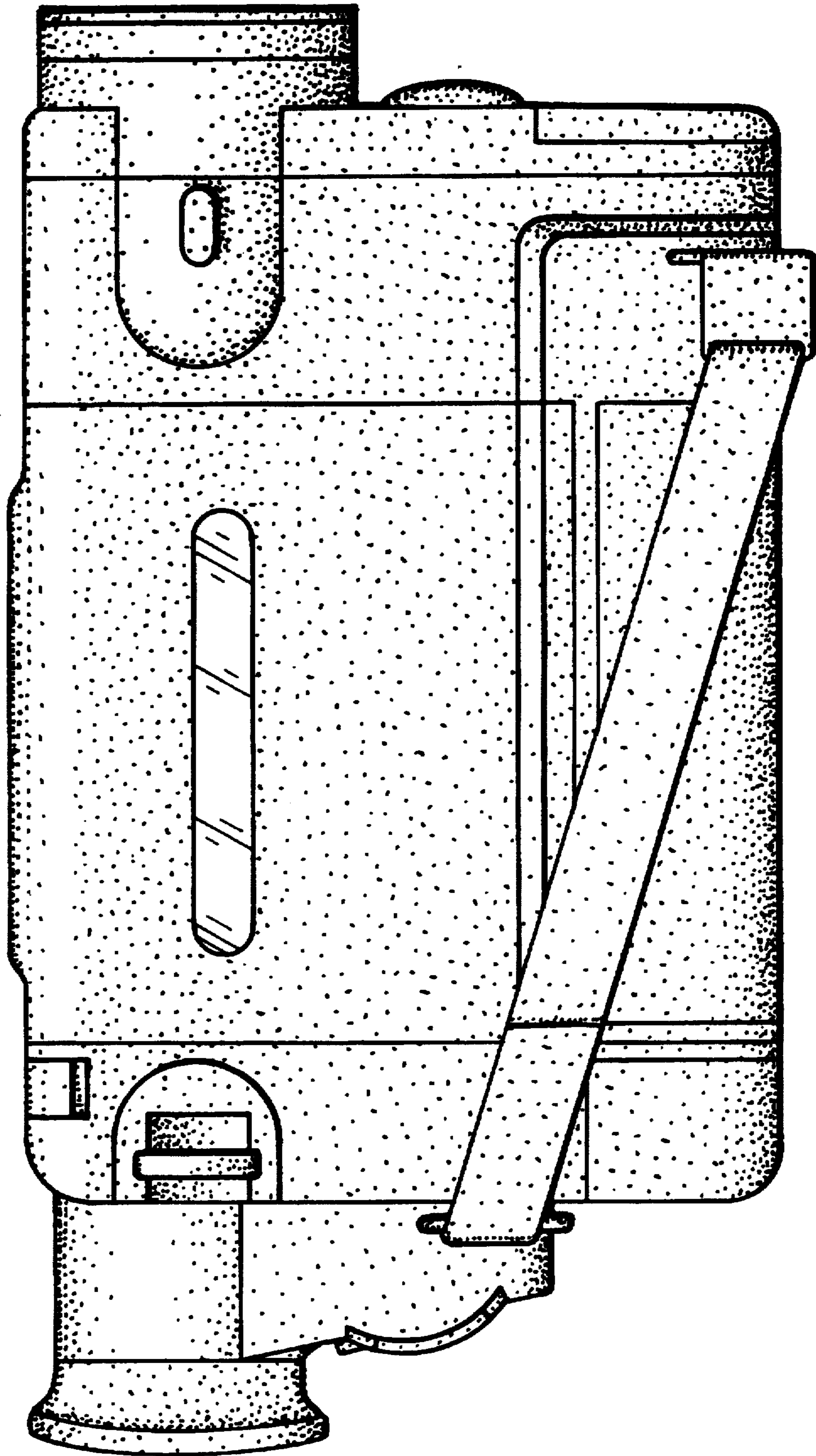


FIG. 7



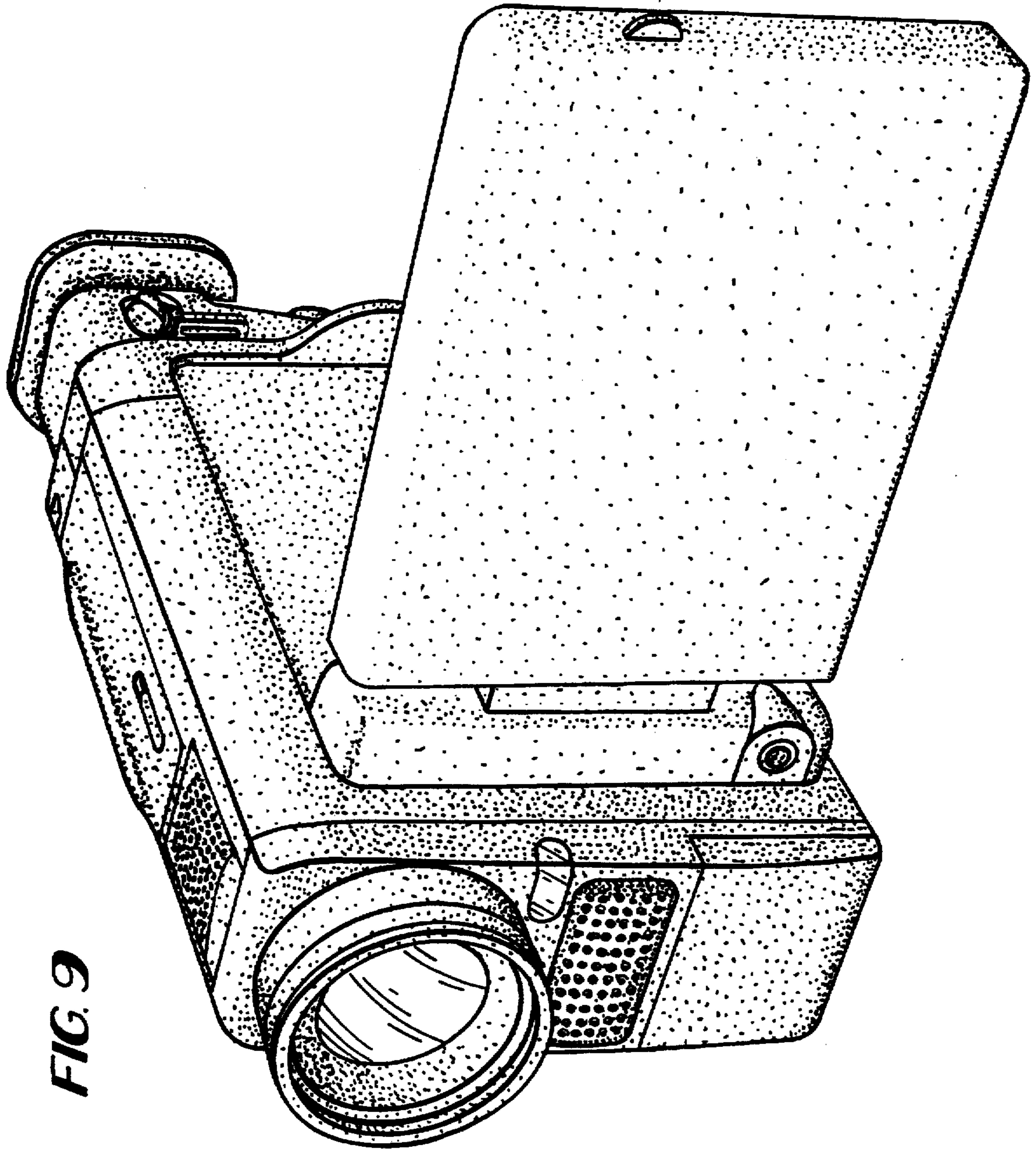


FIG. 9

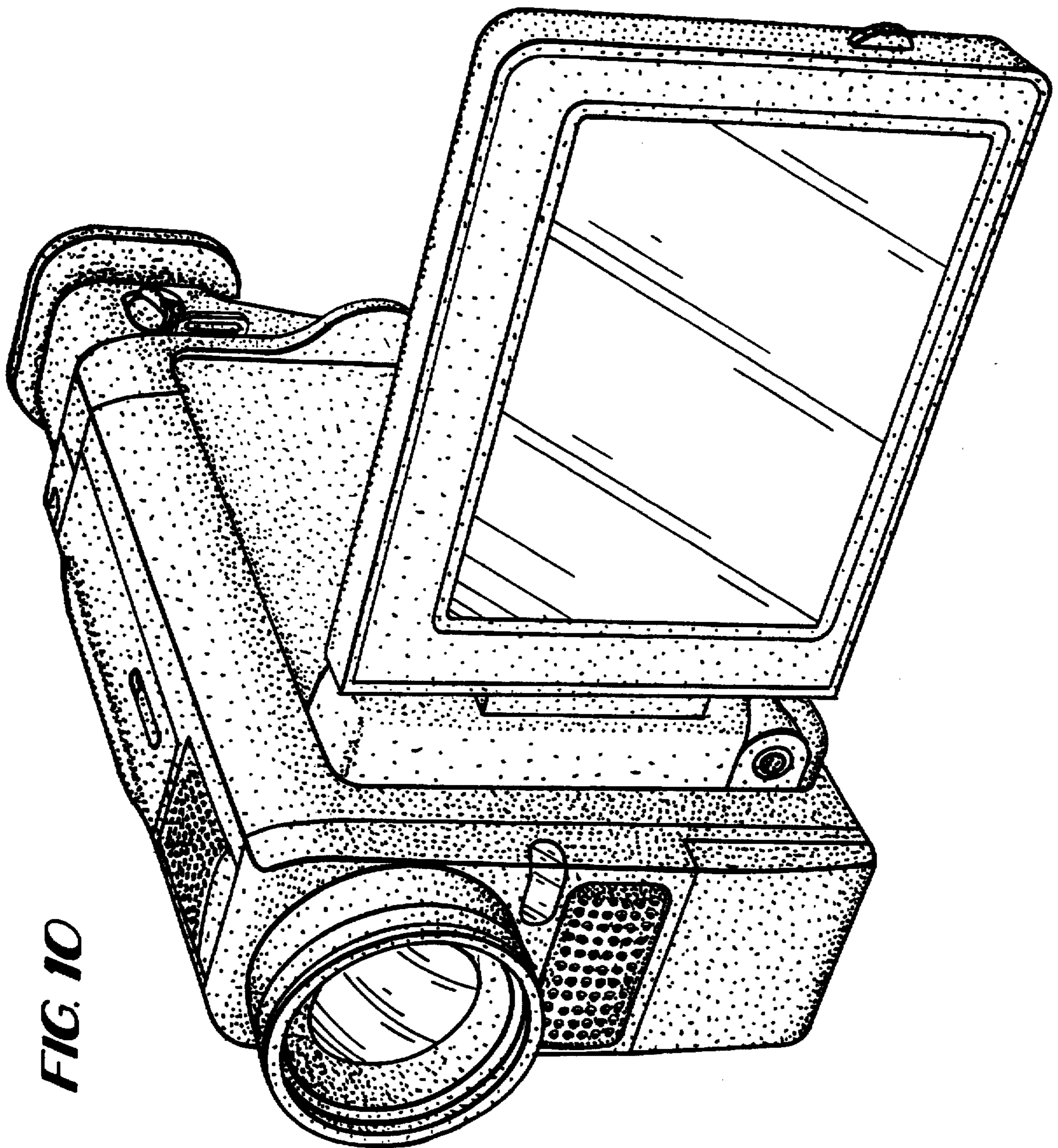


FIG. 10