



US00D408425S

United States Patent [19]

Rowe et al.

[11] Patent Number: Des. 408,425

[45] Date of Patent: **Apr. 20, 1999

[54] CARTRIDGE

[75] Inventors: **Stuart Norman Rowe**, Grand Brickhill;
Kevin Richard Stevens, Leighton Buzzard; **Graham Armstrong Thomson**, Chichester, all of United Kingdom

[73] Assignee: **Multicore Solders Limited**, Hertfordshire, United Kingdom

[**] Term: 14 Years

[21] Appl. No.: 29/085,091

[22] Filed: Mar. 16, 1998

[30] Foreign Application Priority Data

Sep. 16, 1997 [GB] United Kingdom D2069159

[51] LOC (6) CL 15-09

[52] U.S. Cl. D15/144.1; D9/414

[58] Field of Search D15/144, 144.1,
D15/144.2; 222/372, 375; 220/DIG. 12,
DIG. 14

[56] References Cited

U.S. PATENT DOCUMENTS

D. 322,260 12/1991 Wimberger D15/144.1
D. 390,103 2/1998 Gerson D9/414 X

Primary Examiner—Antoine Duval Davis
Attorney, Agent, or Firm—Merchant, Gould, Smith, Edell, Welter & Schmidt

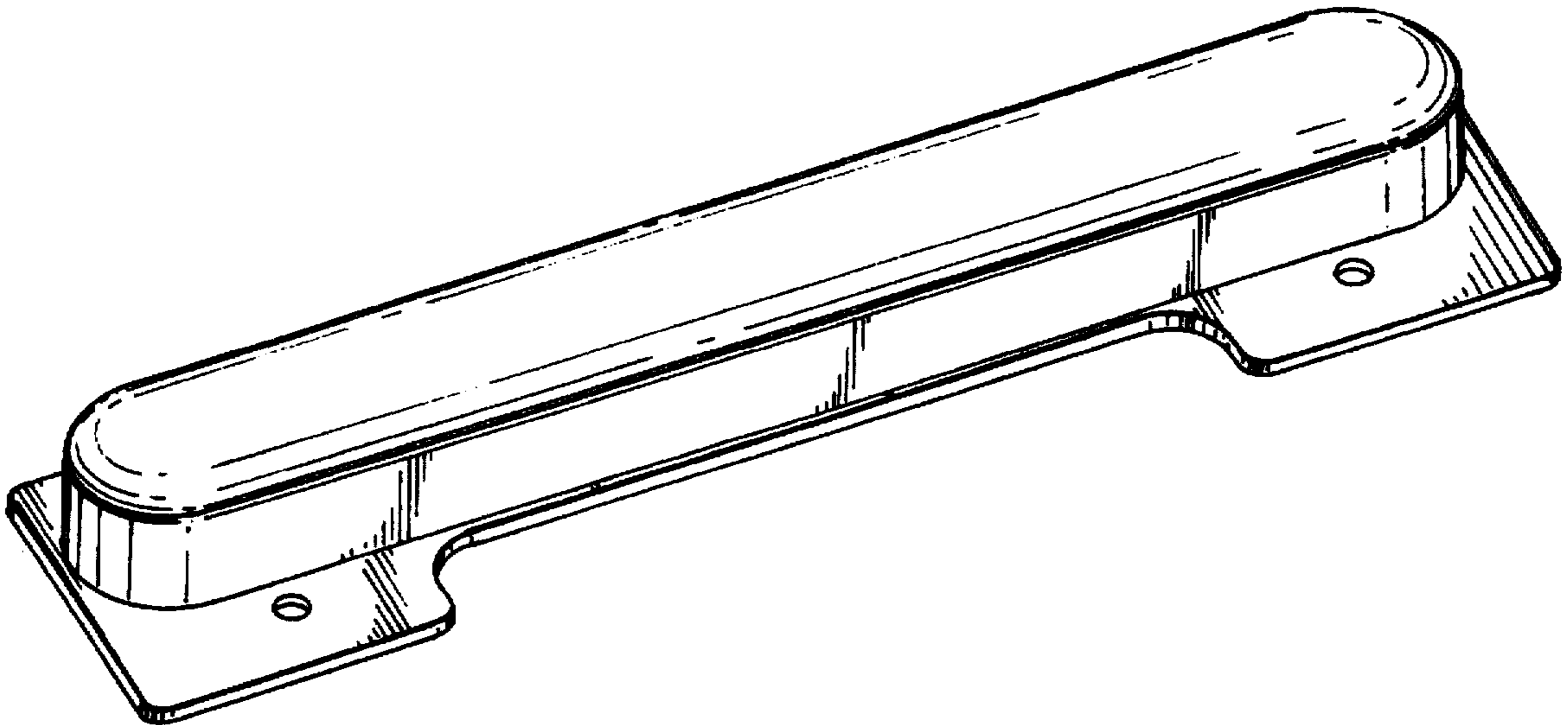
[57] CLAIM

The ornamental design for a cartridge, as shown and described.

DESCRIPTION

FIG. 1 perspective view from below
FIG. 2 perspective view from above
FIG. 3 top view
FIG. 4 front elevational view; and,
FIG. 5 end view (both ends are the same).

1 Claim, 2 Drawing Sheets



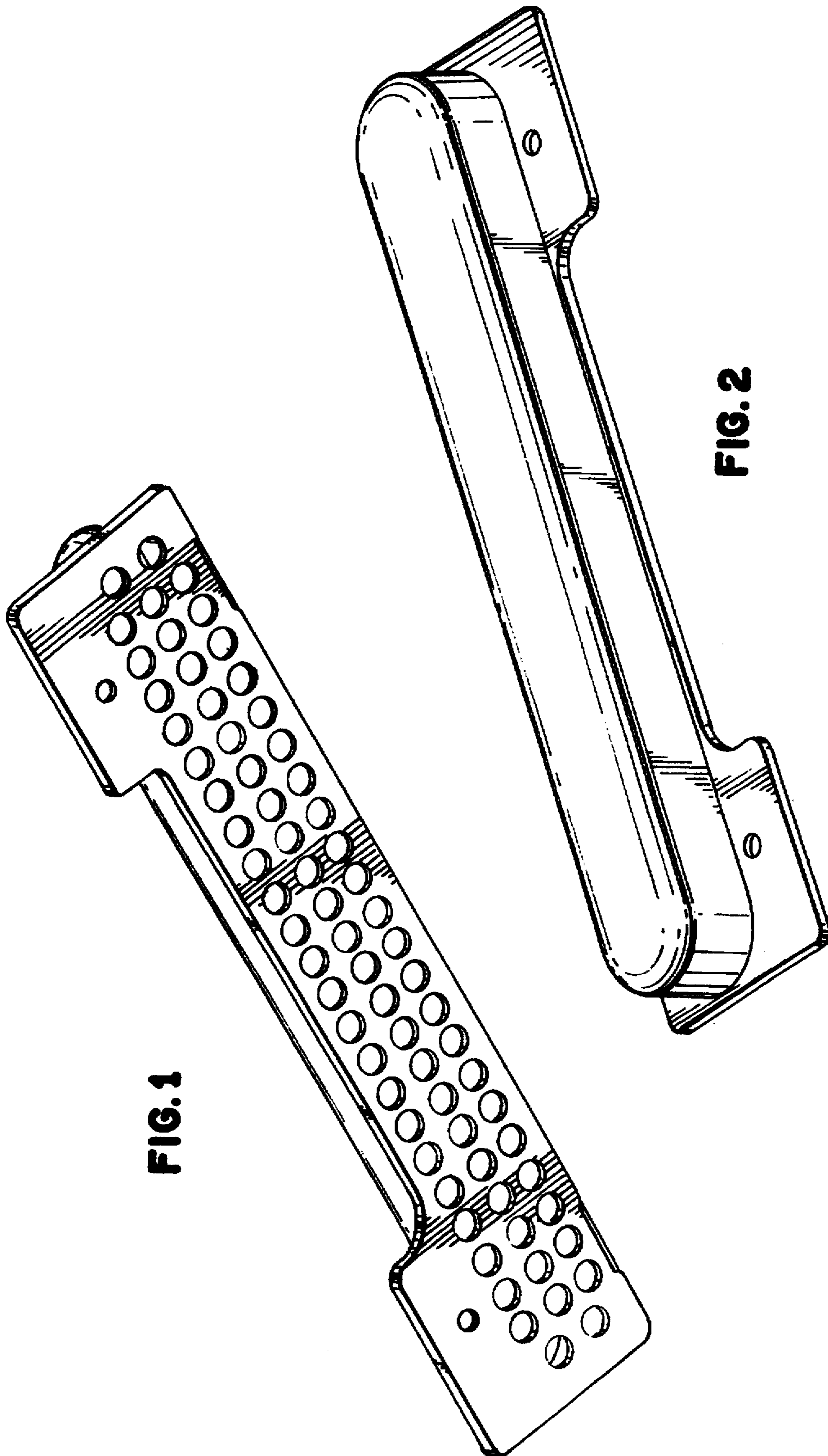


FIG. 1

FIG. 2



Fig. 3

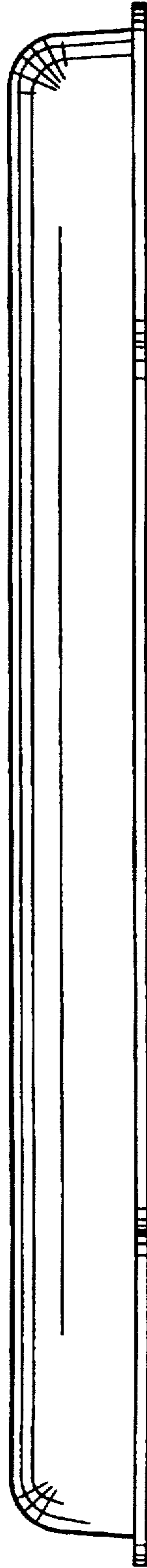


Fig. 4

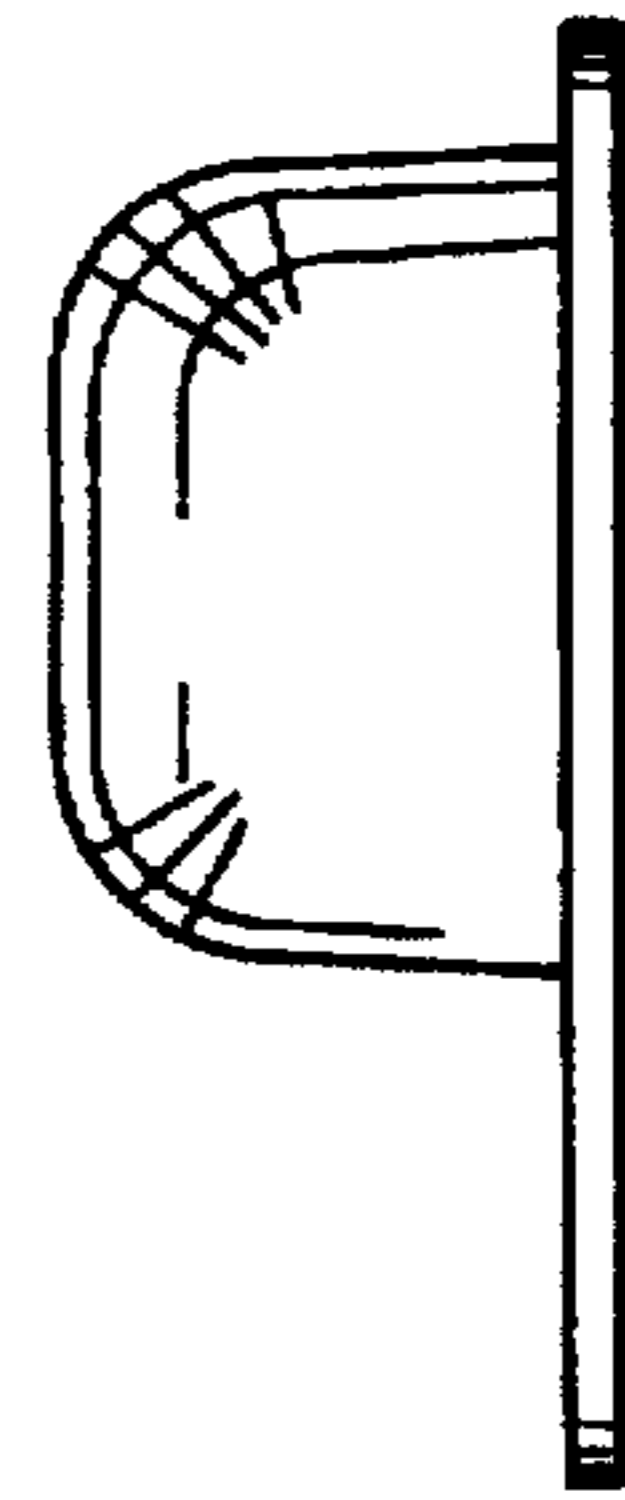


Fig. 5