



US00D408423S

**United States Patent** [19]  
**Fløysvik**

[11] **Patent Number: Des. 408,423**  
[45] **Date of Patent: \*\*Apr. 20, 1999**

[54] **BOTTLE COOLER**

[75] **Inventor: Jan Egil Fløysvik, Sandnes, Norway**

[73] **Assignee: AB Electrolux, Stockholm, Sweden**

[\*\*] **Term: 14 Years**

[21] **Appl. No.: 29/039,297**

[22] **Filed: May 22, 1995**

[30] **Foreign Application Priority Data**

Nov. 23, 1994 [NO] Norway ..... 940735

[51] **LOC (6) Cl. .... 15-07**

[52] **U.S. Cl. .... D15/79; D6/470**

[58] **Field of Search .... D6/436, 470-472;  
D15/79-86; D25/16; 312/114, 116, 117,  
119, 138.1, 139.2, 234.1, 236; 62/246-254,  
457.1-457.9**

[56] **References Cited**

**U.S. PATENT DOCUMENTS**

D. 234,373 2/1975 Gambello ..... D15/83  
D. 299,390 1/1989 Van Cleave ..... D6/436

D. 311,956 11/1990 Barnes ..... D25/16  
D. 325,483 4/1992 Muhlack ..... D6/472  
3,491,548 1/1970 Christiansen ..... 62/246

**OTHER PUBLICATIONS**

Foodservice Equipment Specialists May 1979 p. 53 "Lern-A-Round".

*Primary Examiner*—Sandra L. Morris  
*Attorney, Agent, or Firm*—Herbert M. Hanegan; J. Rodgers Lunsford, III; Charles L. Warner, II

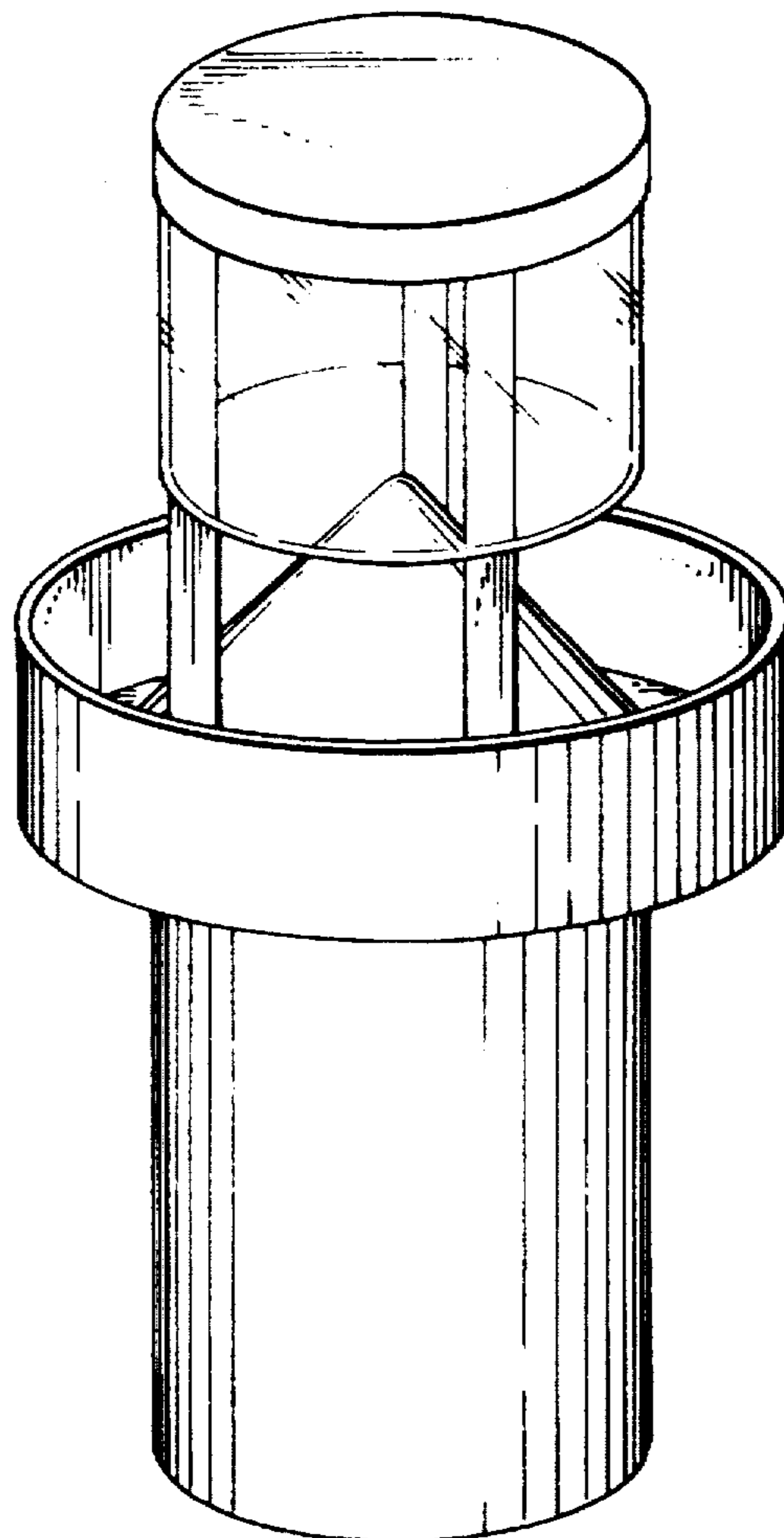
[57] **CLAIM**

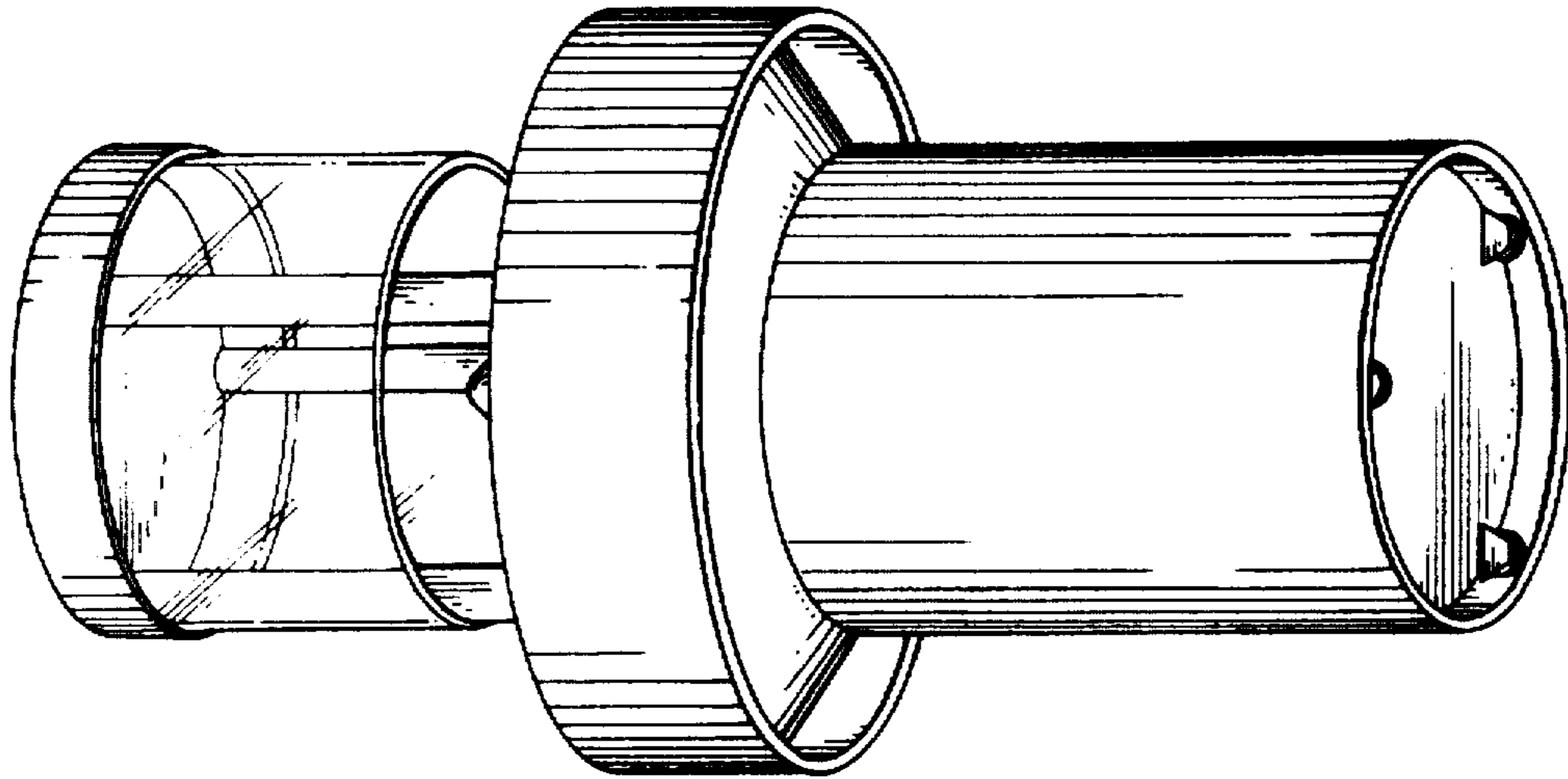
The ornamental design for a bottle cooler, as shown.

**DESCRIPTION**

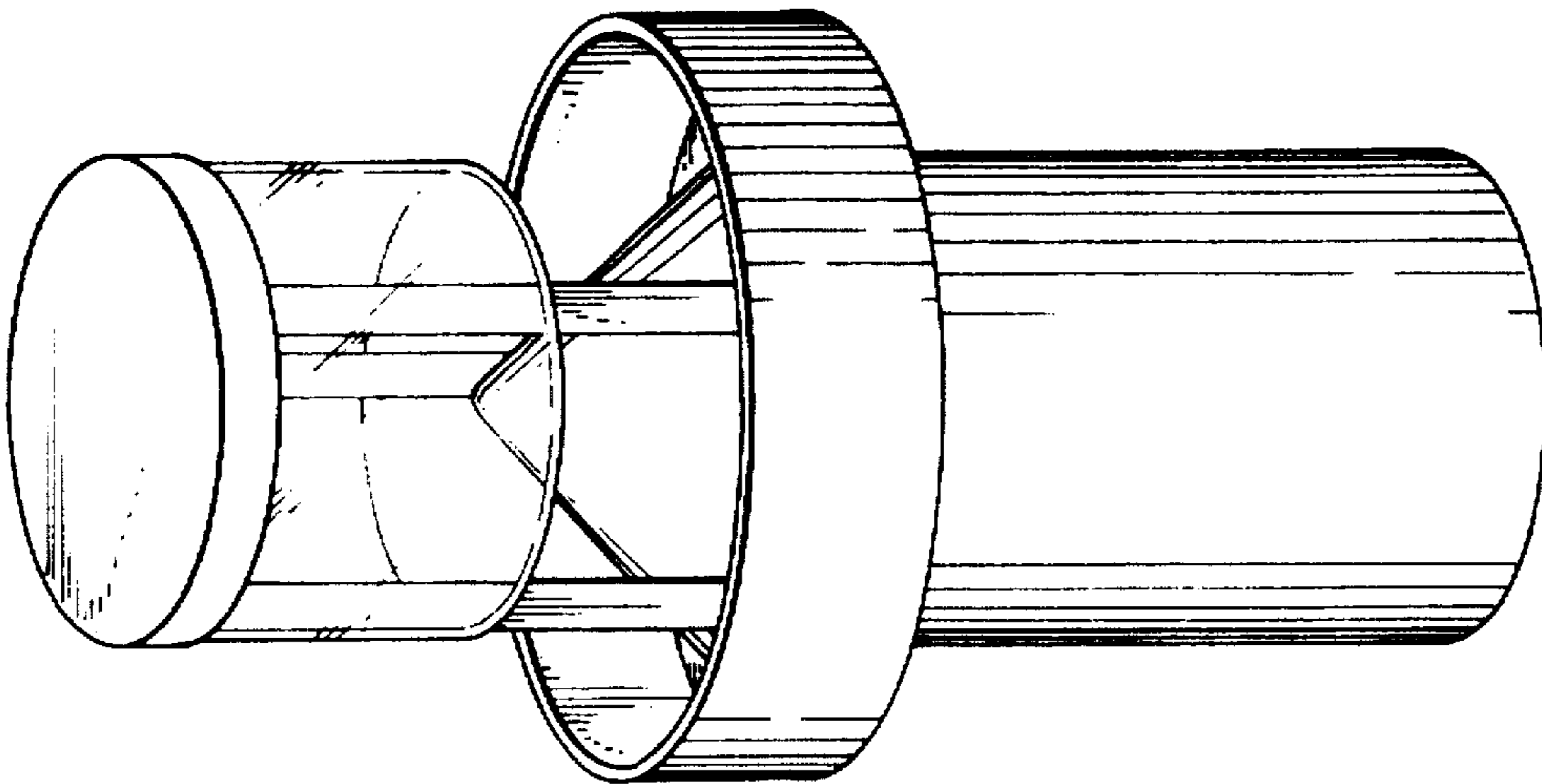
FIG. 1 is a top perspective view of a bottle cooler, showing my new design; and  
FIG. 2 is a bottom perspective view thereof;  
FIG. 3 is a front elevational view thereof;  
FIG. 4 is a side elevational view thereof;  
FIG. 5 is a top plan view thereof; and,  
FIG. 6 is a bottom plan view thereof.

**1 Claim, 3 Drawing Sheets**

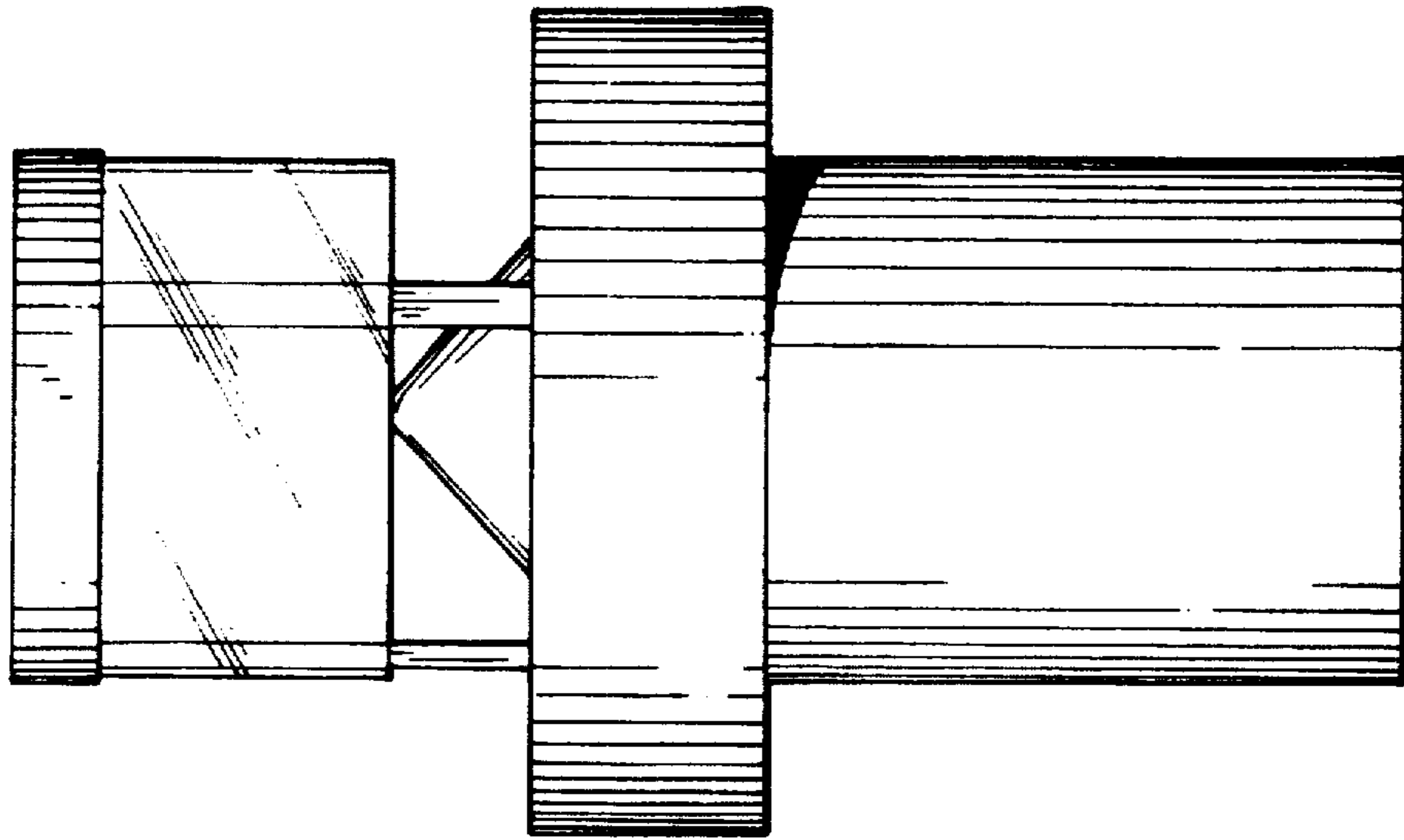




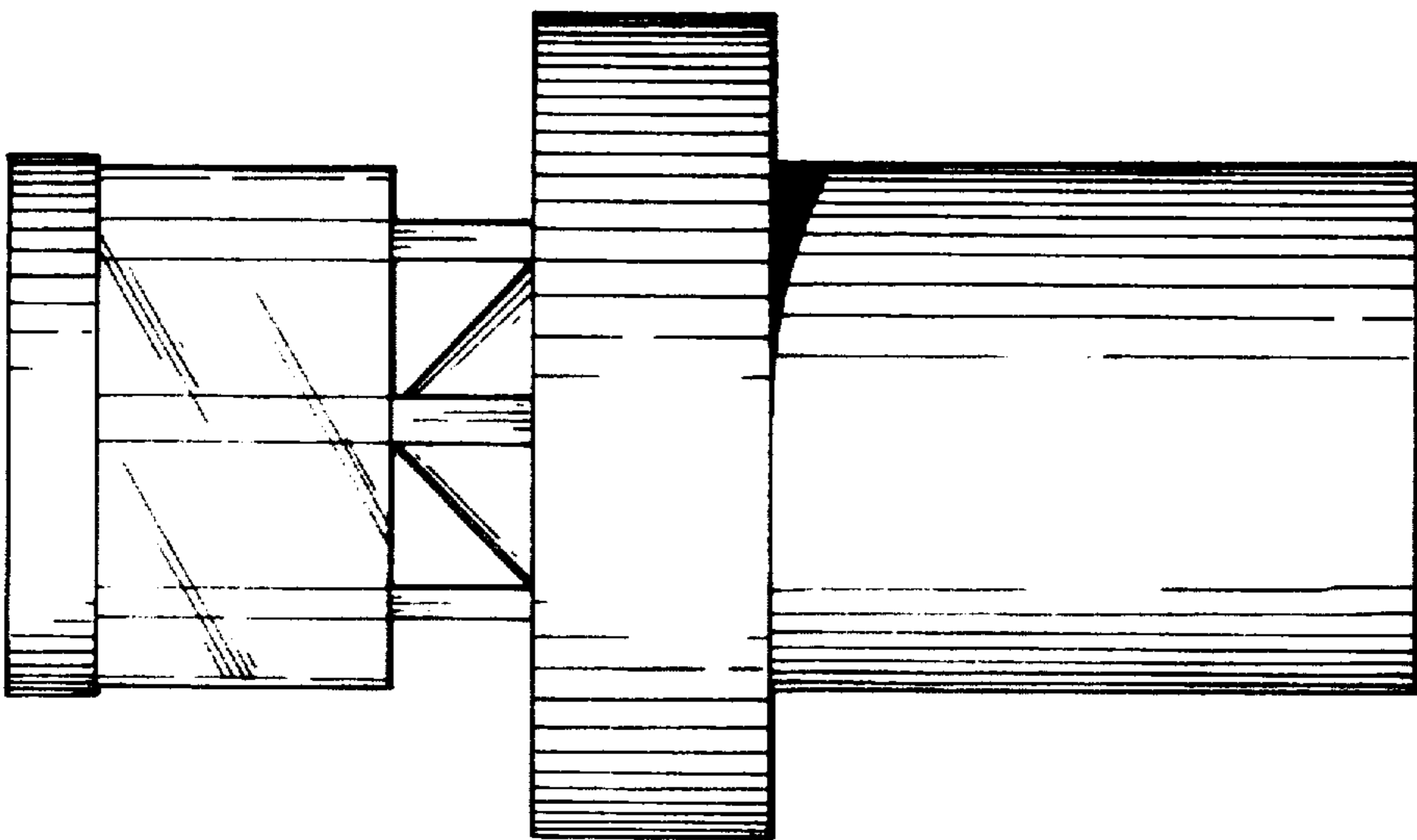
**Fig. 2**



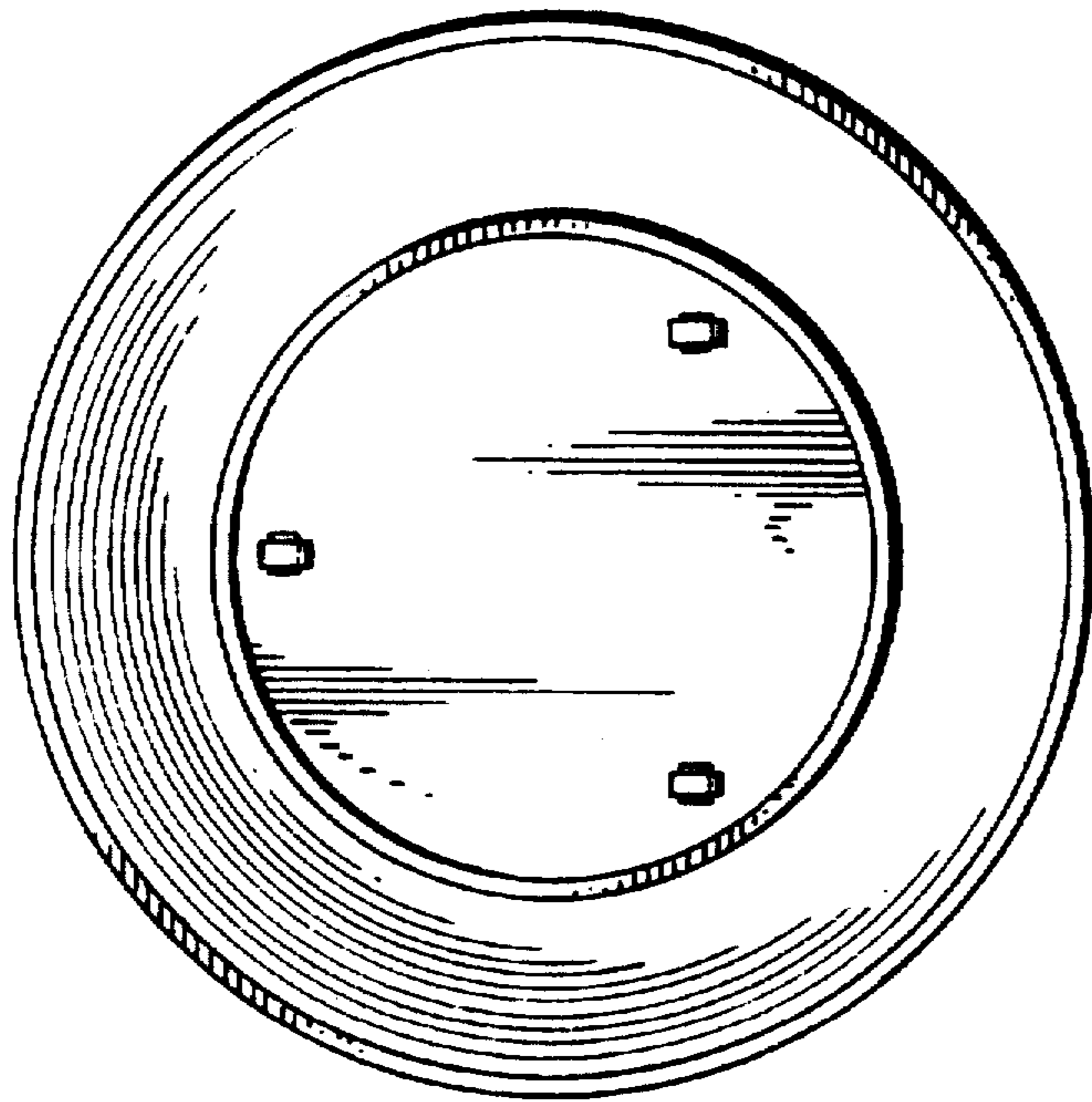
**Fig. 1**



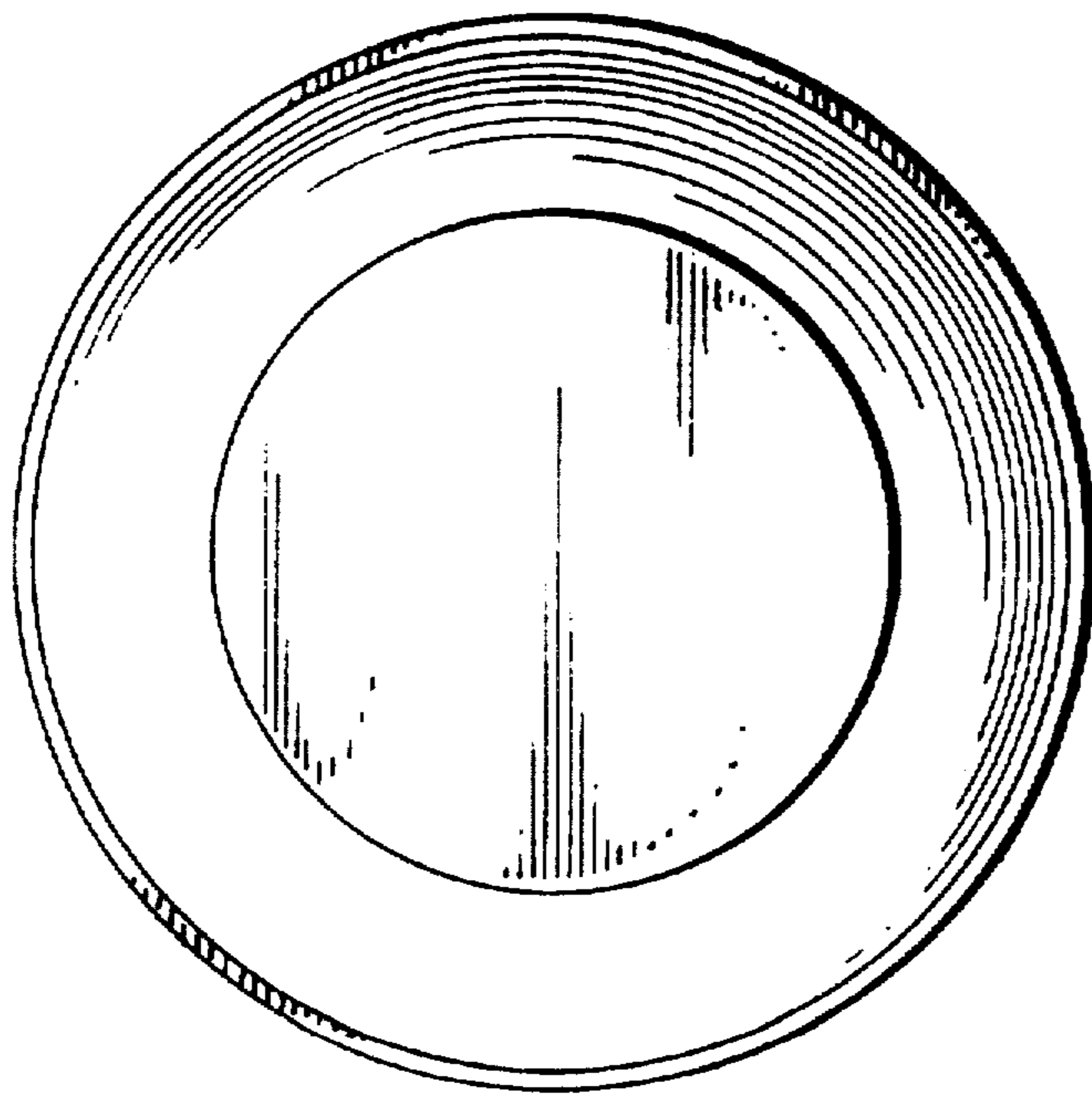
**Fig. 4**



**Fig. 3**



**Fig. 6**



**Fig. 5**