



US00D408422S

United States Patent [19]

Moreno

[11] Patent Number: Des. 408,422

[45] Date of Patent: **Apr. 20, 1999

[54] **DIGGER TOOTH**

[75] Inventor: **Jorge Pallas Moreno**, Premia De Mar, Spain

[73] Assignee: **Metalogenia, S.A.**, Premia De Mar, Spain

[**] Term: **14 Years**

3,959,901 6/1976 Klett 172/713
 4,932,478 6/1990 Jones 172/699
 5,325,615 7/1994 Hutchins et al. 37/452

Primary Examiner—Sandra L. Morris
Attorney, Agent, or Firm—Horst M. Kasper

[21] Appl. No.: **29/055,902**

[22] Filed: **Jun. 14, 1996**

[57] CLAIM

The ornamental design for a digger tooth, as shown and described.

[30] **Foreign Application Priority Data**

Dec. 14, 1995 [ES] Spain 136465

[51] LOC (6) CL **15-03**

[52] U.S. Cl. **D15/29**

[58] **Field of Search** D15/10, 11, 25,
 D15/28, 29, 139; 37/446, 452-454; 172/699,
 713

DESCRIPTION

FIG. 1 is a perspective view of a digger tooth, showing my new design;

FIG. 2 is a sectional view, taken along line 2—2 of FIG. 3;

FIG. 3 is a top plan view thereof;

FIG. 4 is a side elevational view thereof, the other side being identical;

FIG. 5 is a front elevational view thereof;

FIG. 6 is a rear elevational view thereof;

FIG. 7 is a sectional view, taken along line 7—7 of FIG. 4;

FIG. 8 is a sectional view, taken along line 8—8 of FIG. 4;

FIG. 9 is a sectional view, taken along line 9—9 of FIG. 4; and,

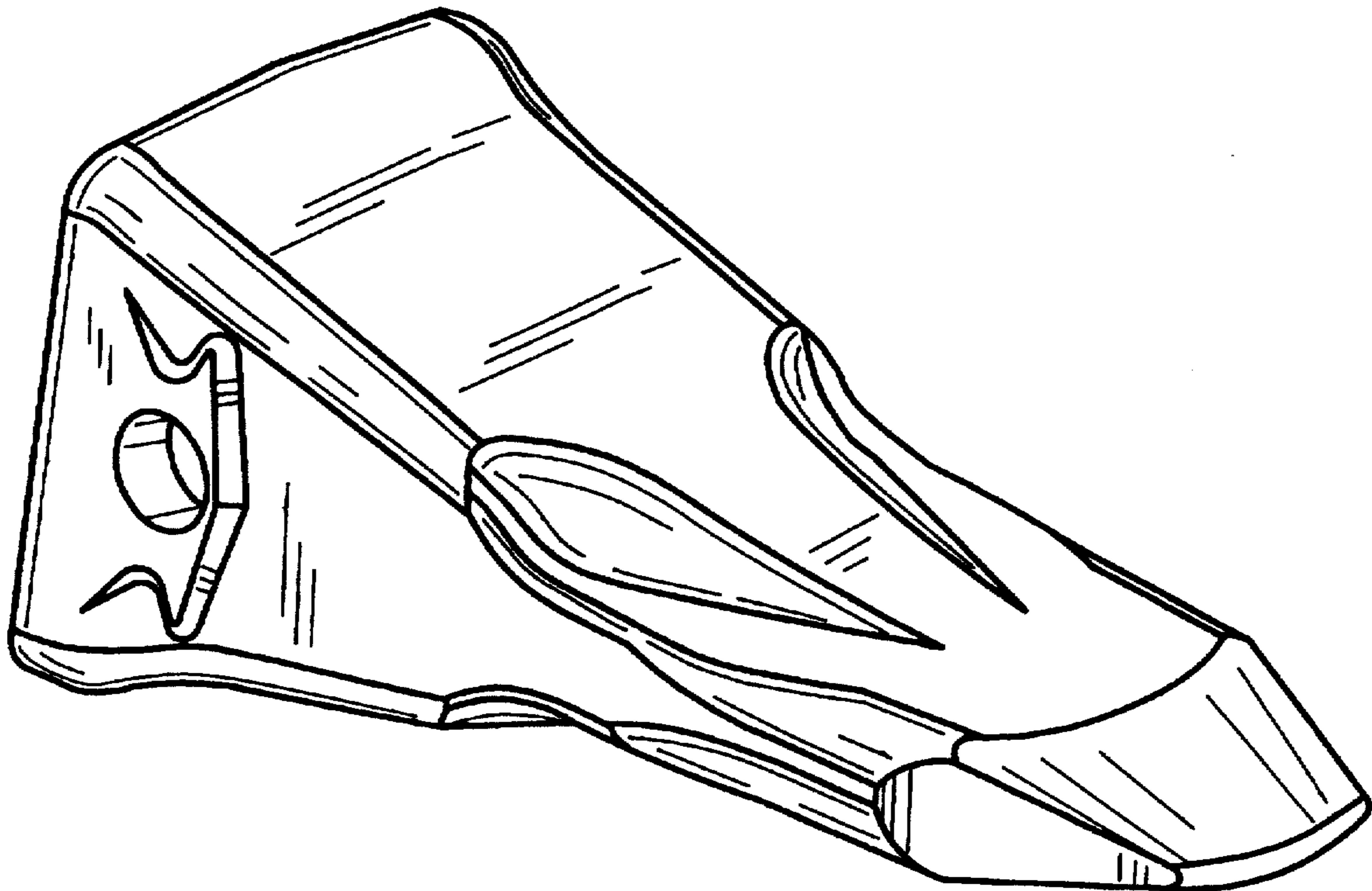
FIG. 10 is a sectional view, taken along line 10—10 of FIG. 4.

[56] References Cited

U.S. PATENT DOCUMENTS

D. 328,466 8/1992 Robinson D15/29
 D. 329,243 9/1992 Robinson D15/29
 3,444,633 5/1969 Hensley 37/452

1 Claim, 3 Drawing Sheets



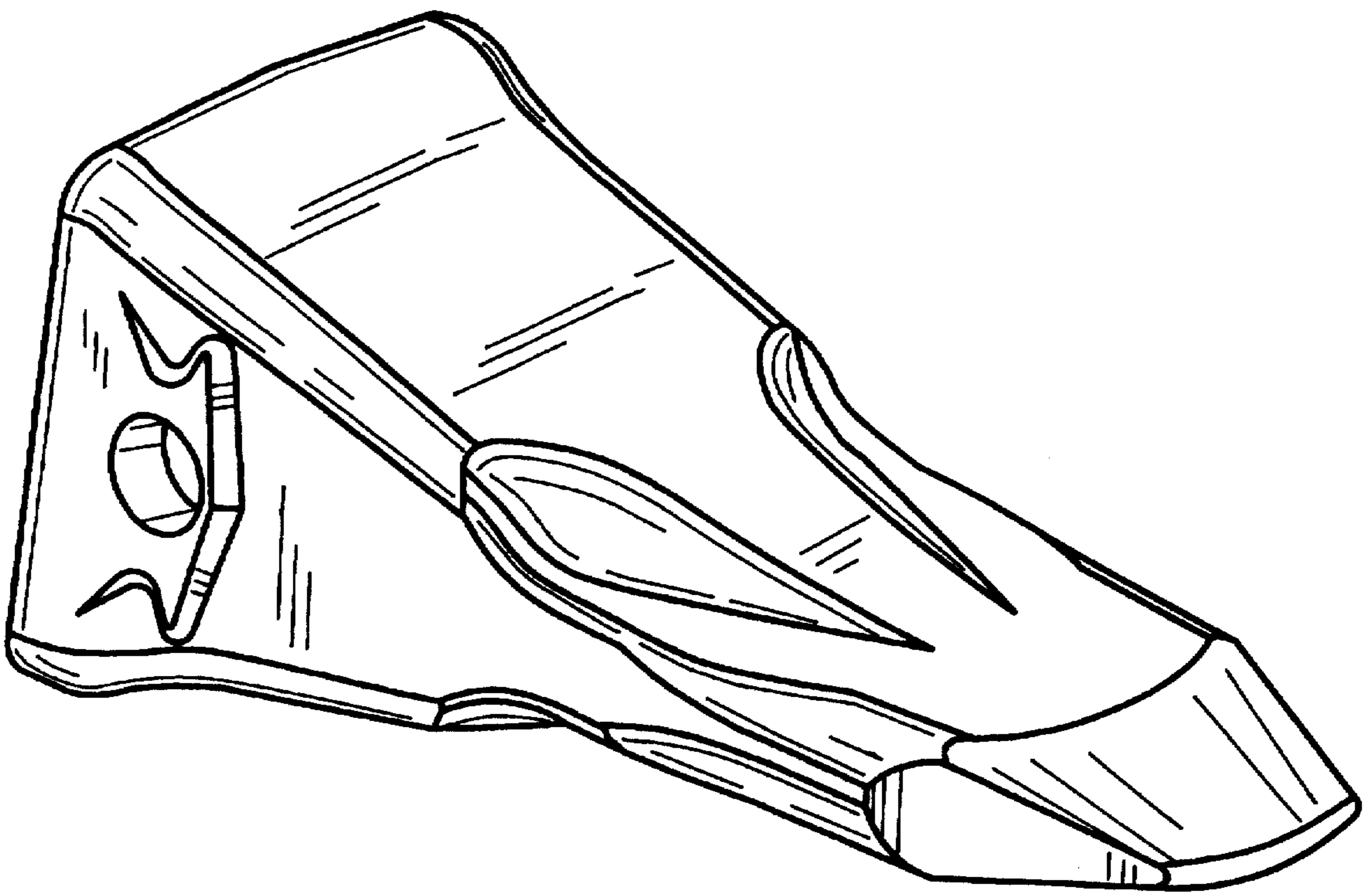


Fig. 1

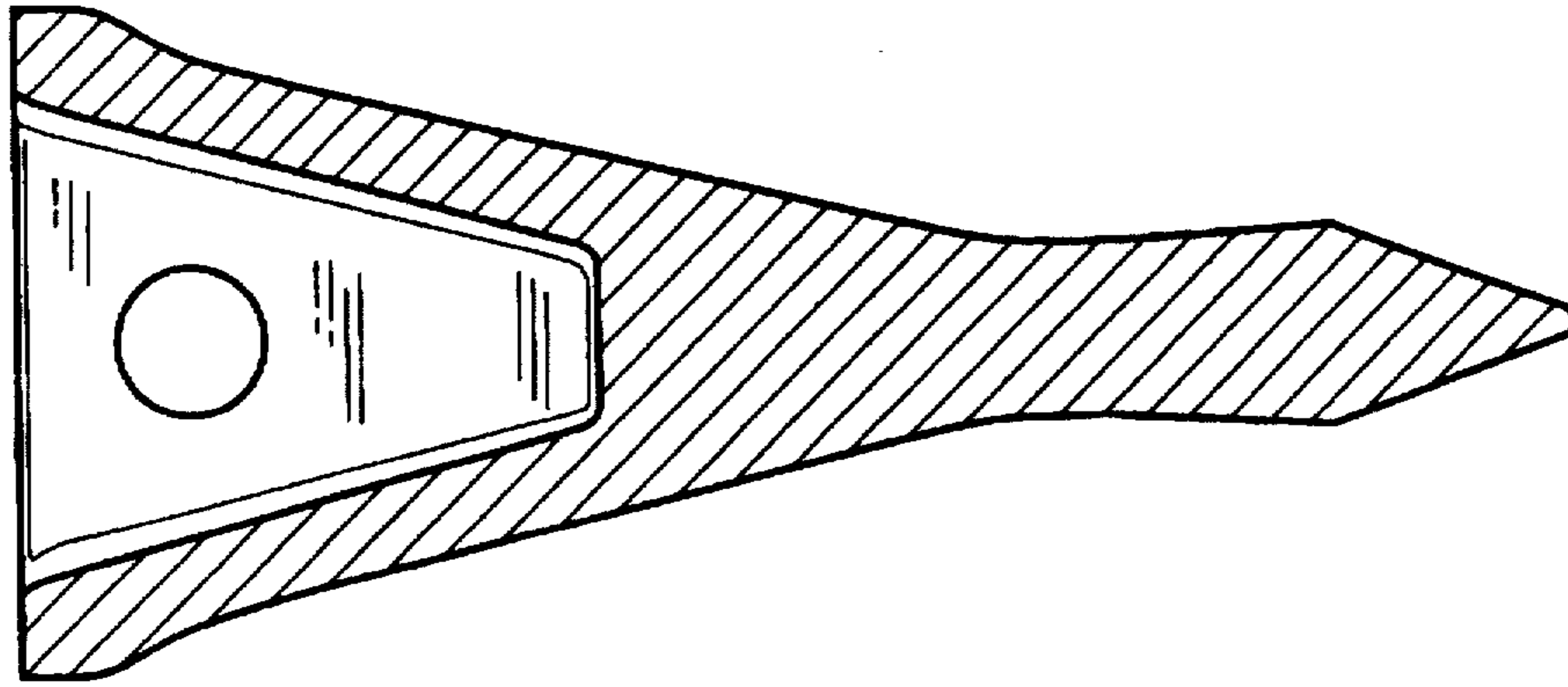


Fig.2

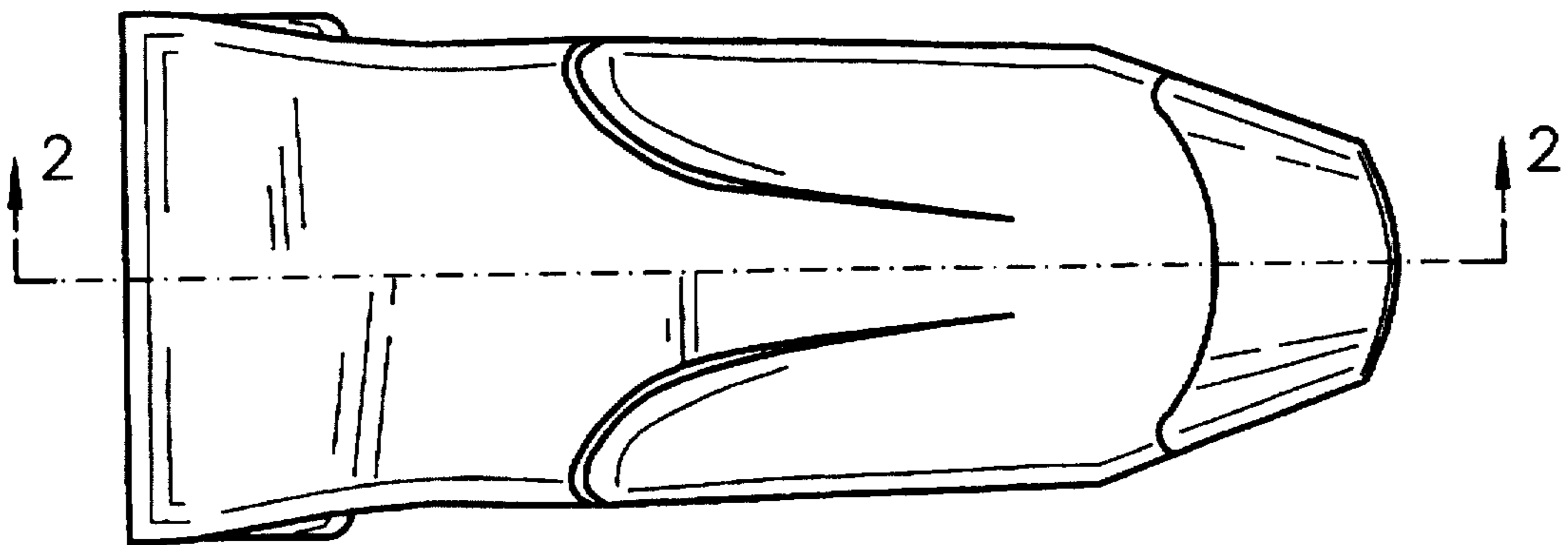


Fig.3

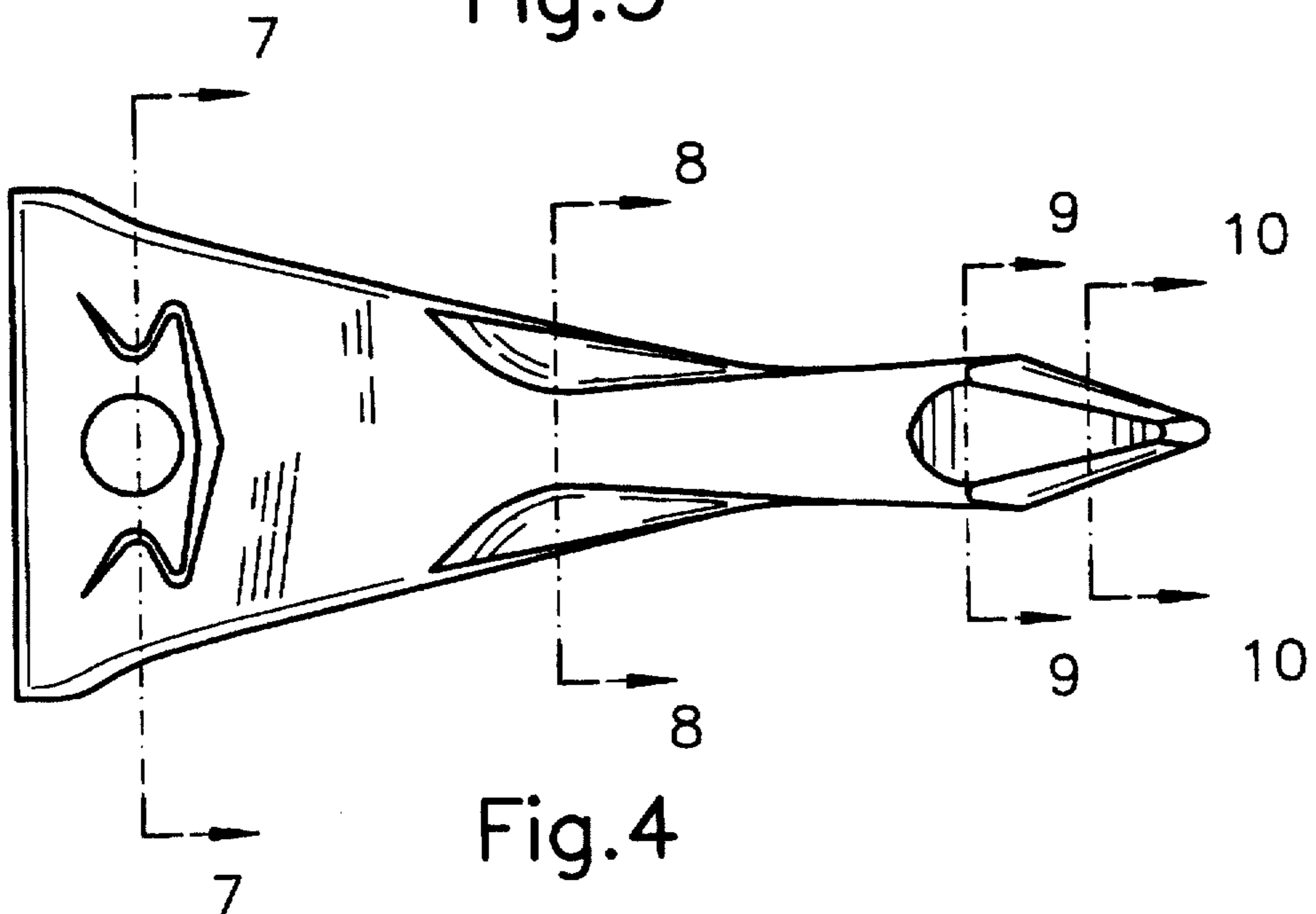


Fig.4

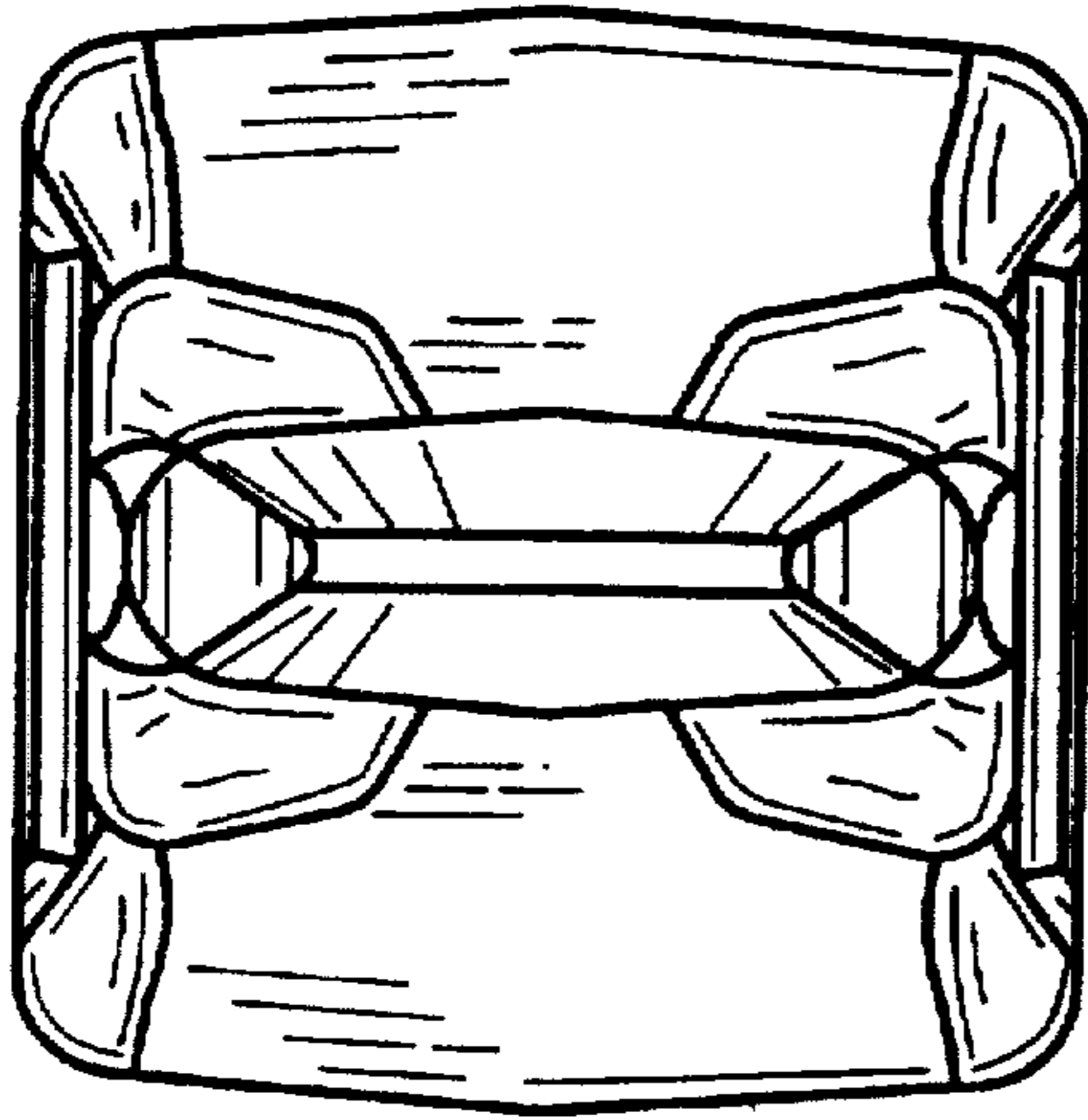


FIG. 5

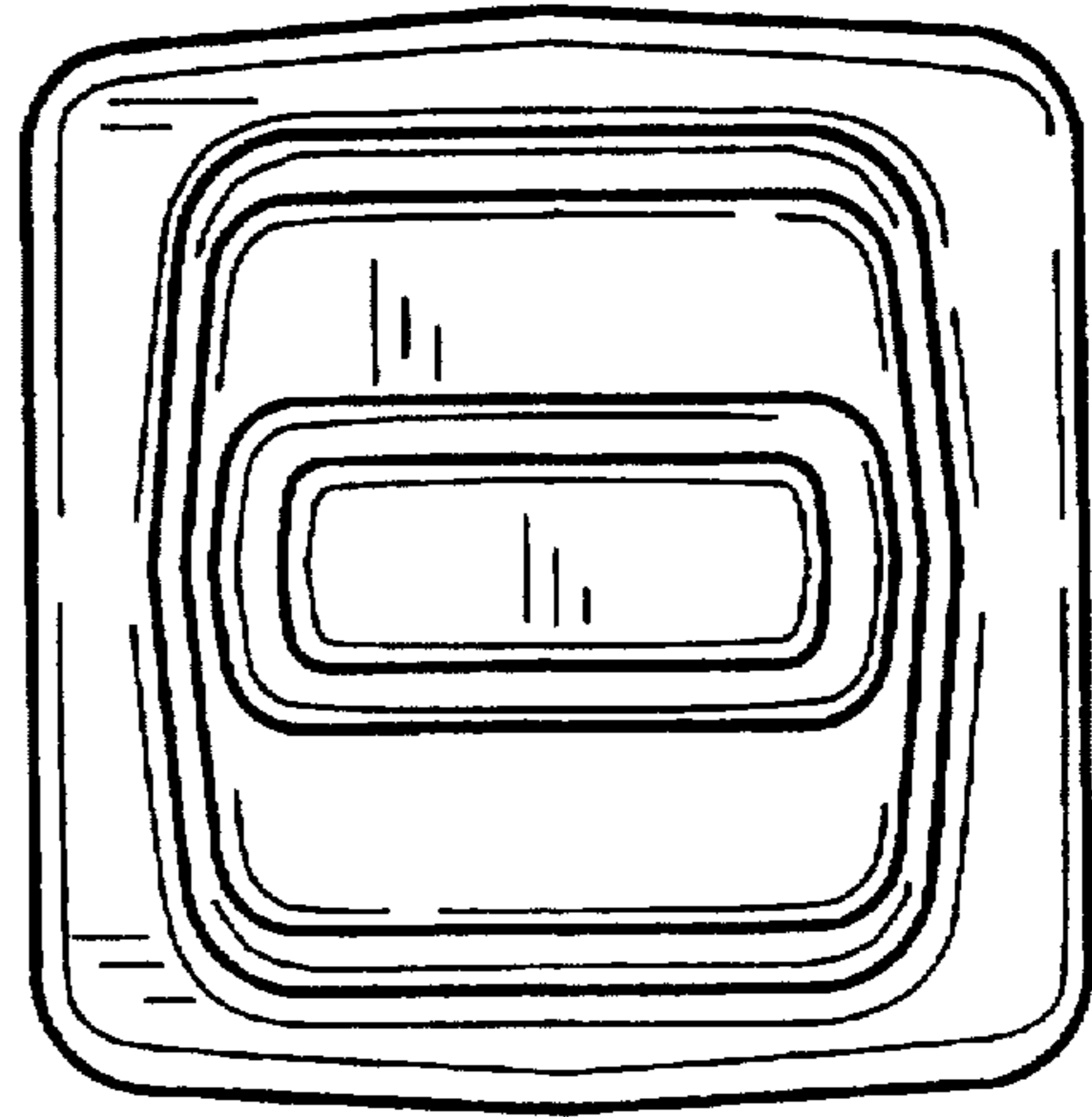


FIG. 6

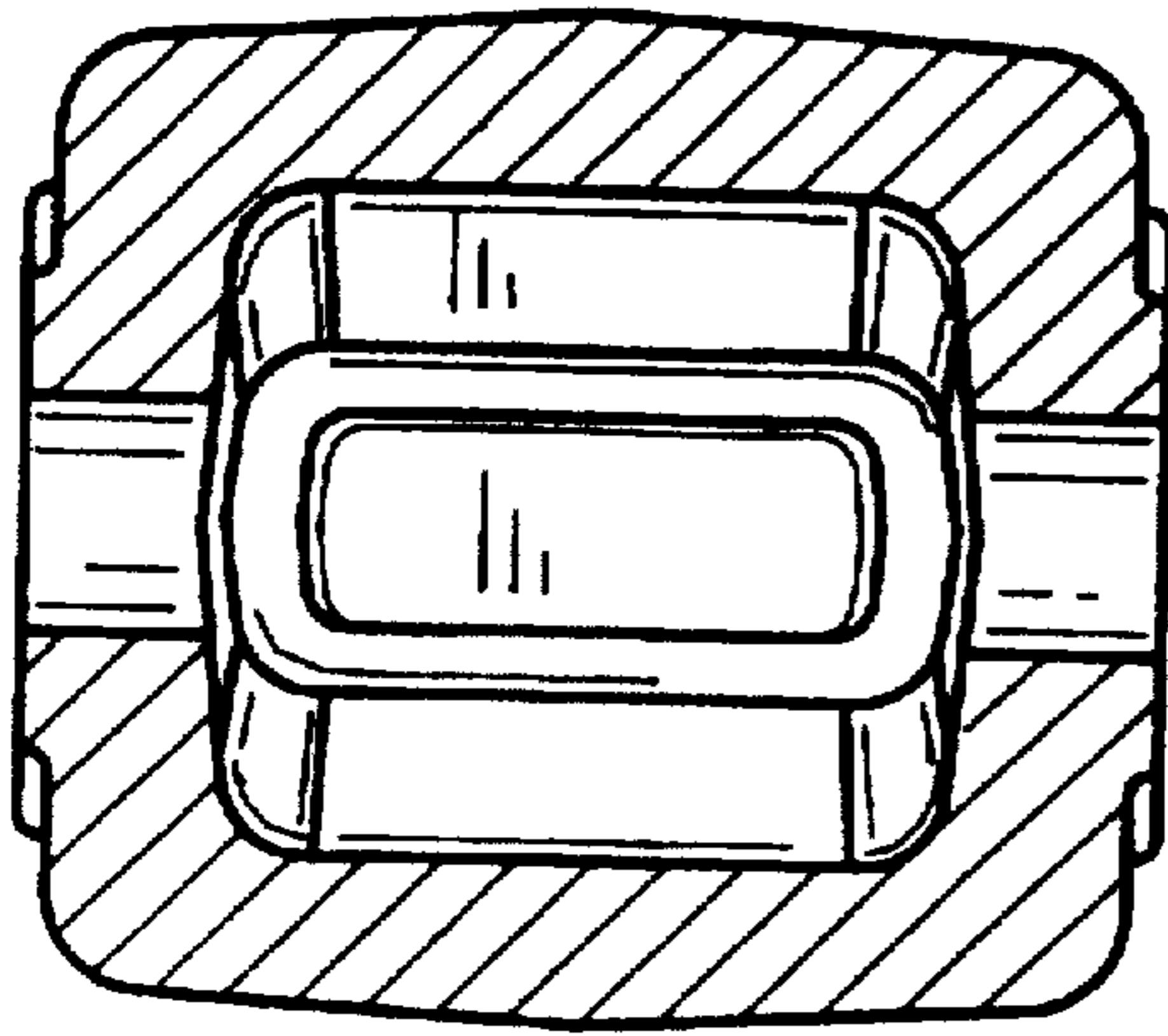


FIG. 7
B-B

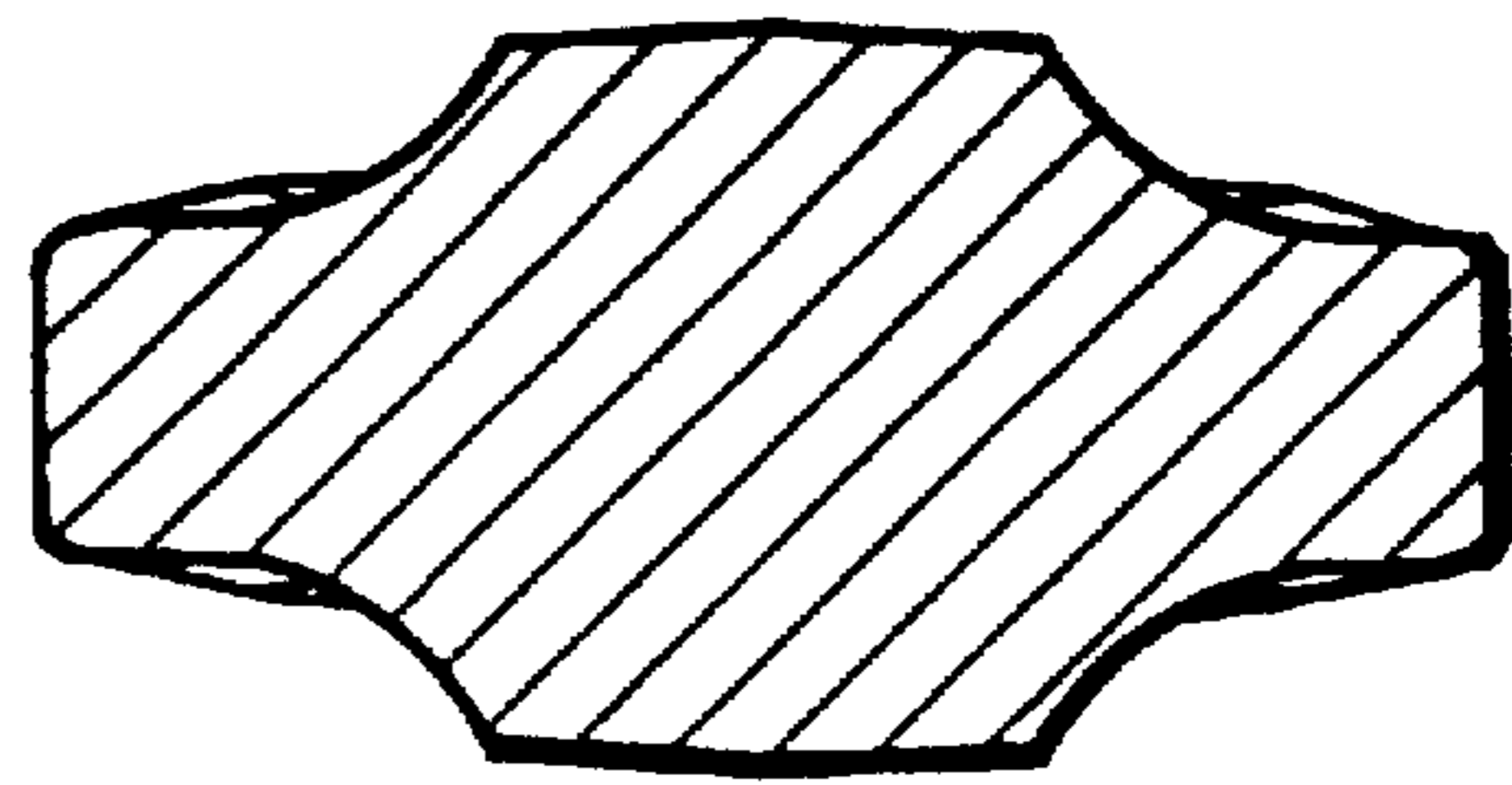


FIG. 8
C-C

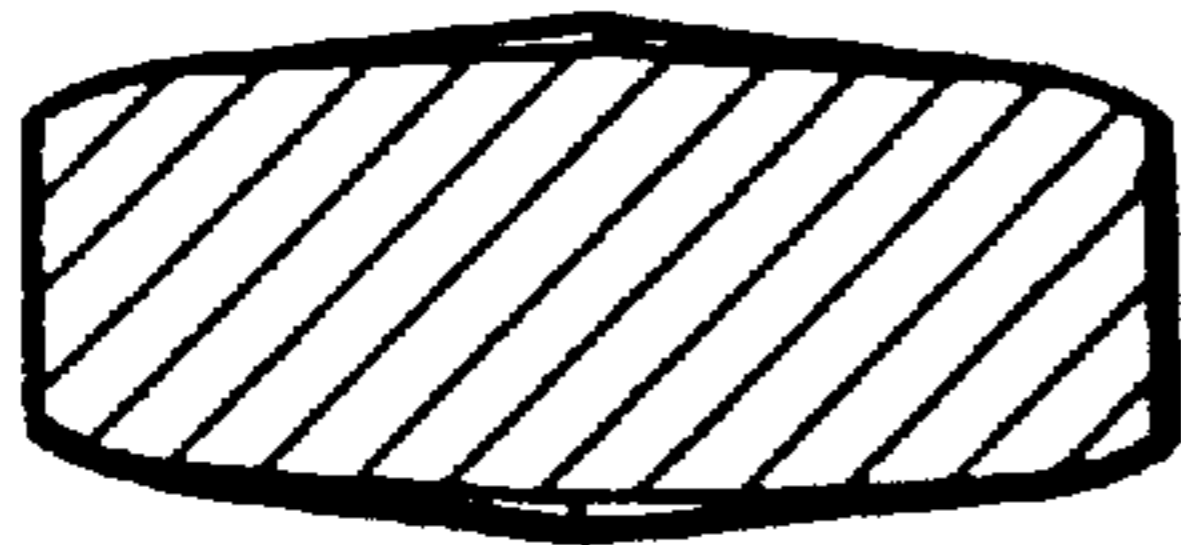


FIG. 9
D-D



FIG. 10
E-E