



US00D408420S

United States Patent [19]

Büter

[11] Patent Number: Des. 408,420

[45] Date of Patent: **Apr. 20, 1999

[54] FLUID POWERED HYDRAULIC CYLINDER

[76] Inventor: Josef Büter, Neue Industriestrasse 1, 49733 Haren/Altenberge, German Dem. Rep.

[**] Term: 14 Years

[21] Appl. No.: 29/081,383

[22] Filed: Dec. 31, 1997

[30] Foreign Application Priority Data

Jul. 16, 1997 [XH] Hague Agreement DM040817

[51] LOC (6) Cl. 15-02

[52] U.S. Cl. D15/7

[58] Field of Search D15/7-9; 417/437, 417/460; 92/5; 91/196

[56] References Cited

U.S. PATENT DOCUMENTS

D. 295,753 5/1988 LaBair D15/7

D. 301,583 6/1989 Hemer D15/7
D. 368,099 3/1996 Stenborg D15/9.1
D. 370,683 6/1996 Stehman et al. D15/7
2,649,842 8/1953 Caldwell et al. D15/7

Primary Examiner—Ralf Seifert

[57] CLAIM

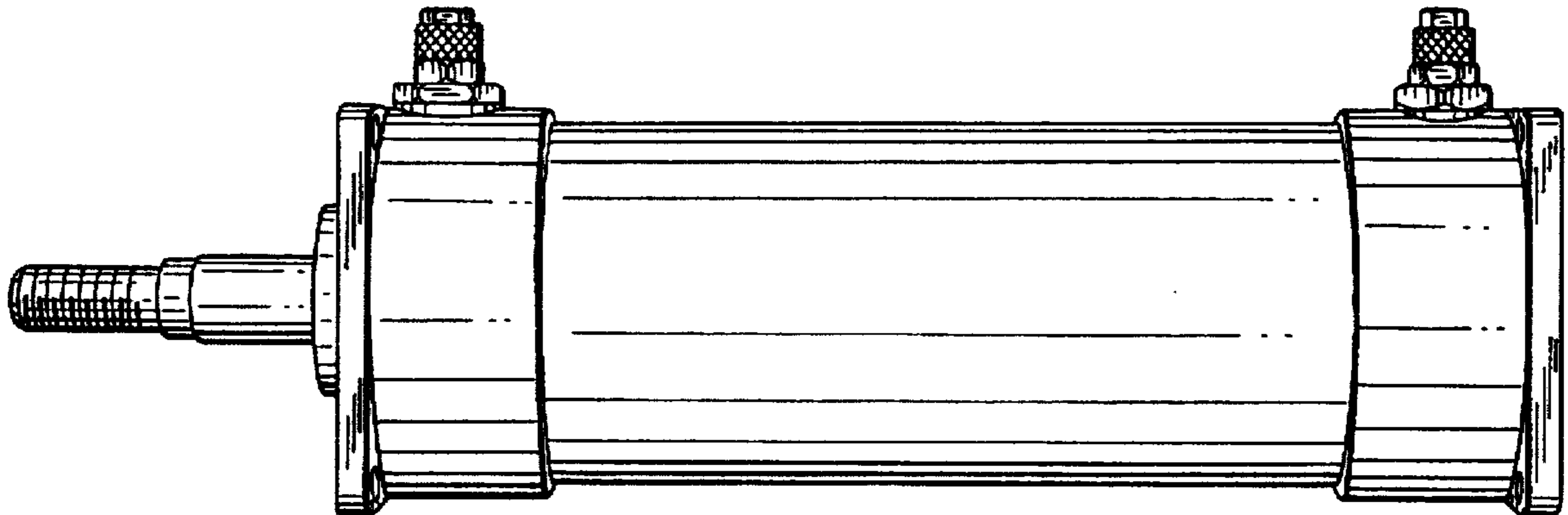
The ornamental design for a fluid powered hydraulic cylinder, as shown and described.

DESCRIPTION

FIG. 1 is a side plan view of a fluid powered hydraulic cylinder showing my new design; FIG. 2 is a plan view of the opposite side thereof; FIG. 3 is a top plan view thereof; FIG. 4 is a front view thereof; and, FIG. 5 is a rear view thereof.

Any undisclosed surface area in any figure is without ornamentation.

1 Claim, 3 Drawing Sheets



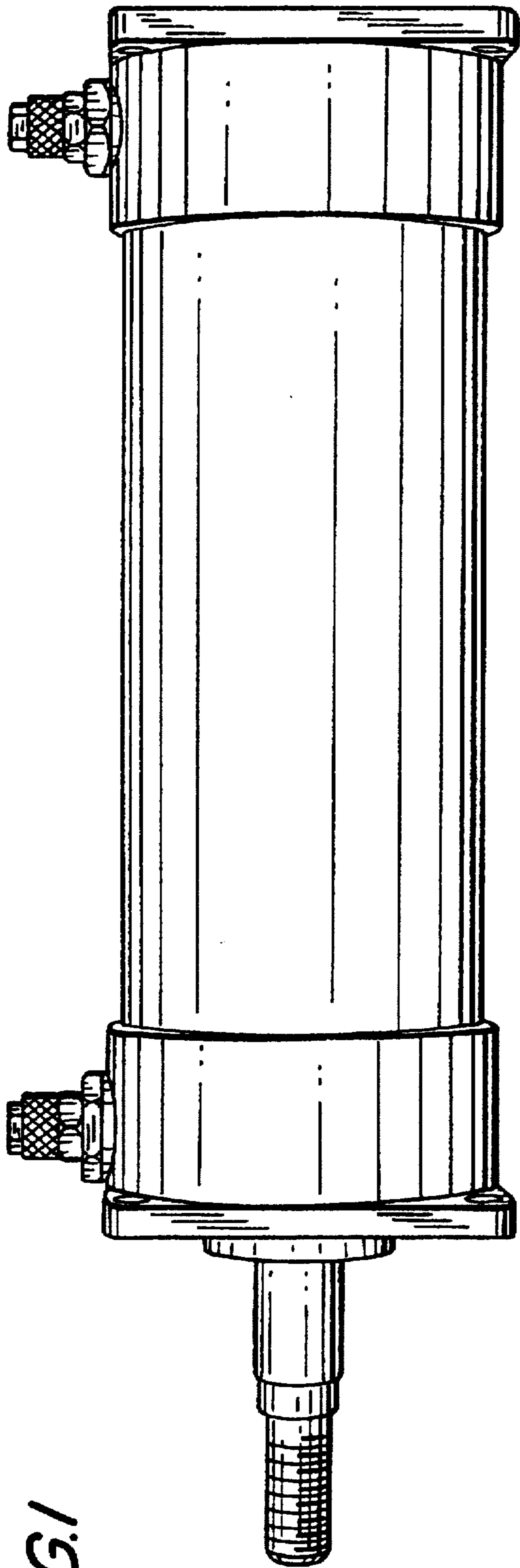


FIG. 1

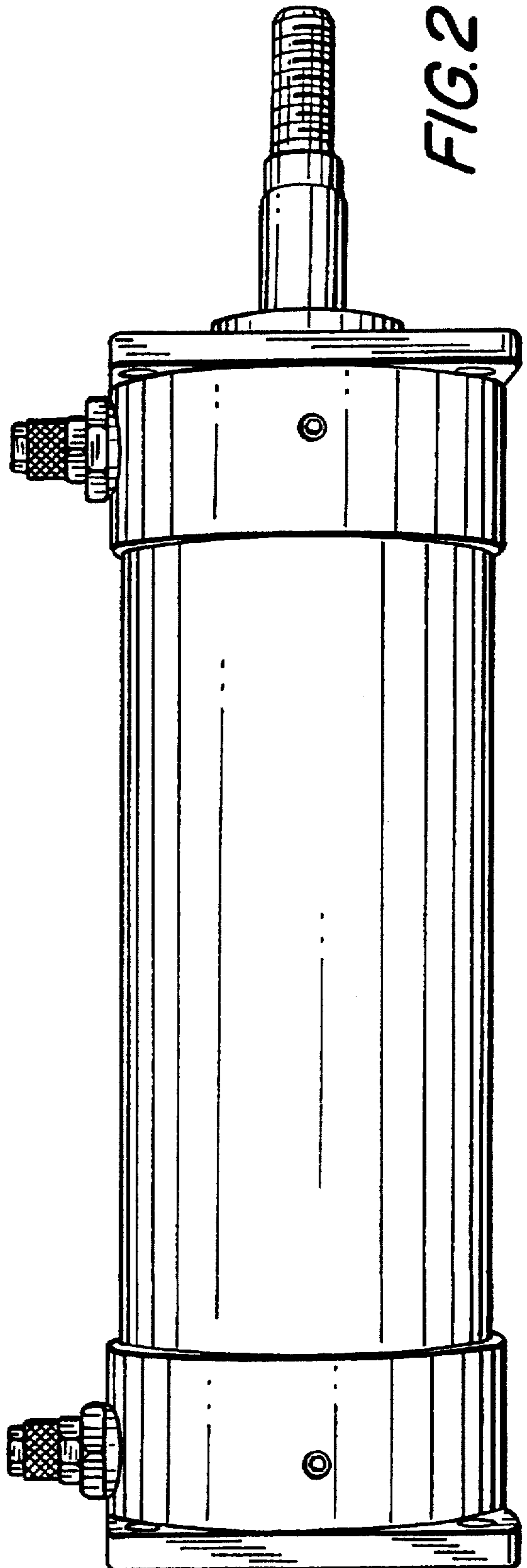


FIG. 2

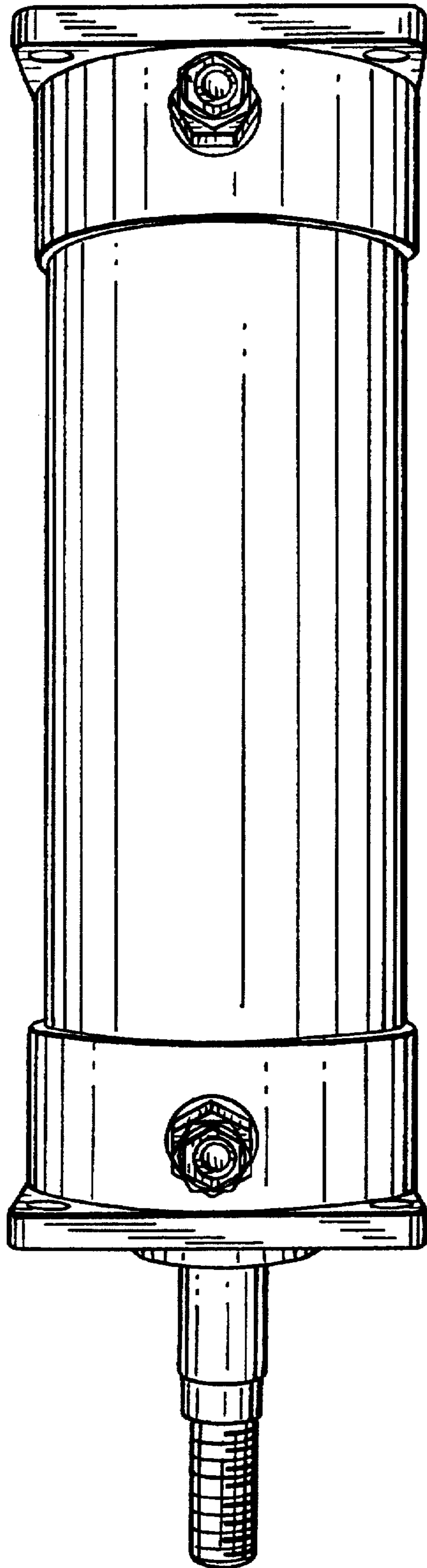


FIG. 3

FIG. 4

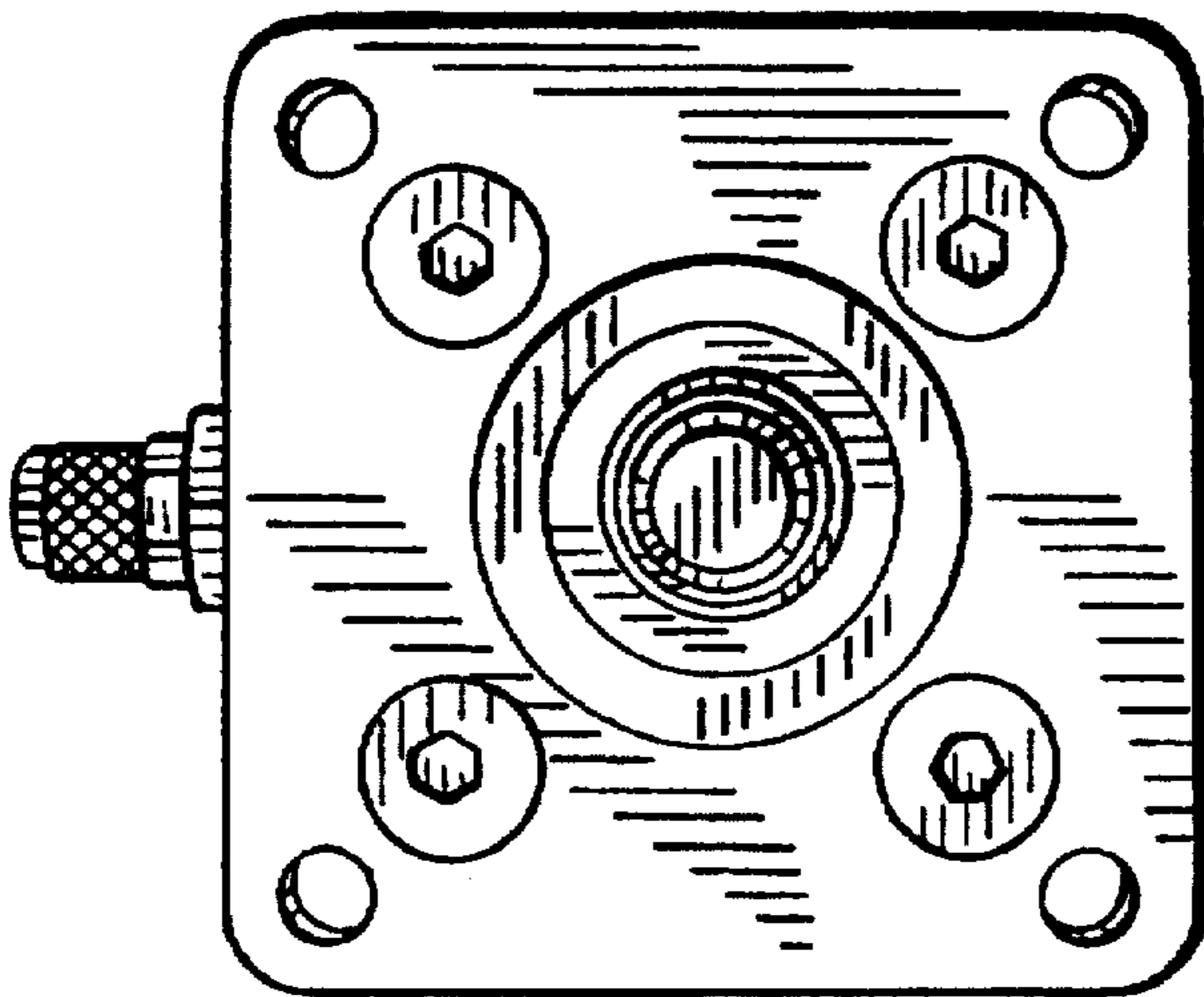


FIG. 5

