



US00D408418S

United States Patent [19]

Pescetto et al.

[11] Patent Number: **Des. 408,418**

[45] Date of Patent: ****Apr. 20, 1999**

[54] **TELEPHONE HANDSET HANG-UP DEVICE AND CARD READER**

[75] Inventors: **Michael J. Pescetto**, Lake in the Hills; **Michael P. Gaines**, Gurnee; **Victor E. Pascolla**, Grayslake, all of Ill.

[73] Assignee: **Motorola, Inc.**, Schaumburg, Ill.

[**] Term: **14 Years**

[21] Appl. No.: **29/085,684**

[22] Filed: **Mar. 27, 1998**

[51] LOC (6) Cl. **14-03**

[52] U.S. Cl. **D14/253; D14/105**

[58] Field of Search D14/137, 146, D14/138, 105, 148, 147, 149-151, 140-142, 240, 241, 251, 253; 379/433-436, 419, 420, 428, 440, 454, 455, 446, 447; D13/107, 108; 320/110, 113, 114, 115

[56] **References Cited**

U.S. PATENT DOCUMENTS

- D. 276,809 12/1984 Taylor D14/253
- D. 306,594 3/1990 Taylor D14/253
- D. 339,807 9/1993 Tattari et al. D14/105 X
- D. 349,097 7/1994 Watanabe D13/108
- D. 353,131 12/1994 Nagele D13/107

- D. 354,287 1/1995 Tokiyama D14/149 X
- D. 361,763 8/1995 Nagele et al. .
- D. 365,824 1/1996 Danielson et al. D14/253
- D. 374,014 9/1996 Nagele et al. .
- 4,741,034 4/1988 Errichiello et al. 379/455
- 5,113,436 5/1992 Jarvela et al. 379/454 X
- 5,479,486 12/1995 Saji 320/115 X
- 5,568,548 10/1996 Replinger et al. 379/446

Primary Examiner—Jeffrey Asch
Attorney, Agent, or Firm—John J. Oskorep

[57] **CLAIM**

The ornamental design for a telephone handset hang-up device and card reader, as shown and described.

DESCRIPTION

FIG. 1 is a front, top, and right side perspective view showing of our new design for a telephone handset hang-up device and card reader;

FIG. 2 is a front elevational view thereof;

FIG. 3 is a top plan view thereof;

FIG. 4 is a left side elevational view thereof;

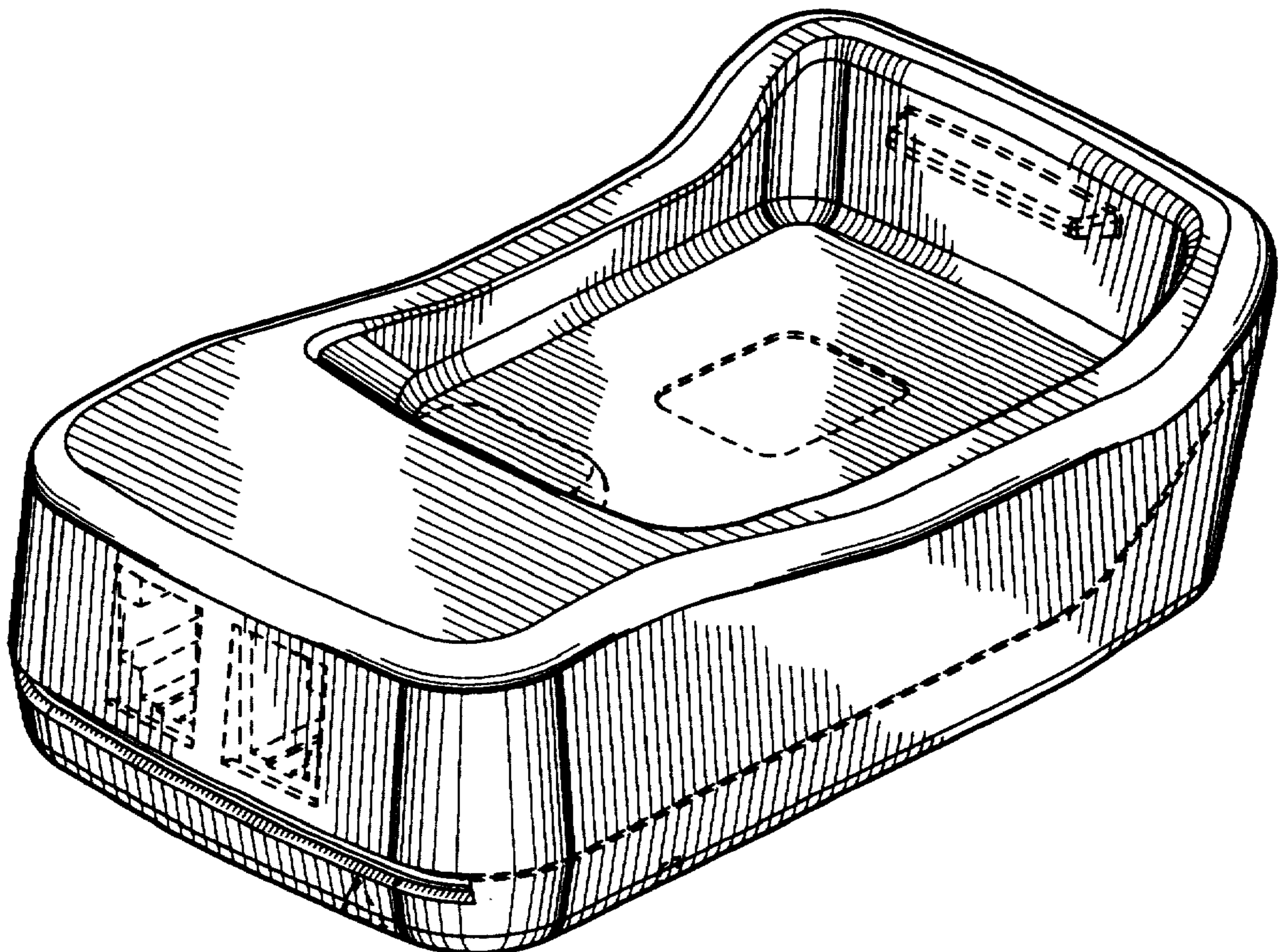
FIG. 5 is a bottom plan view thereof;

FIG. 6 is a right side elevational view thereof; and,

FIG. 7 is a rear elevational view thereof.

The broken line matter in the drawings is for illustrative purposes only and forms no part of the claimed design.

1 Claim, 3 Drawing Sheets



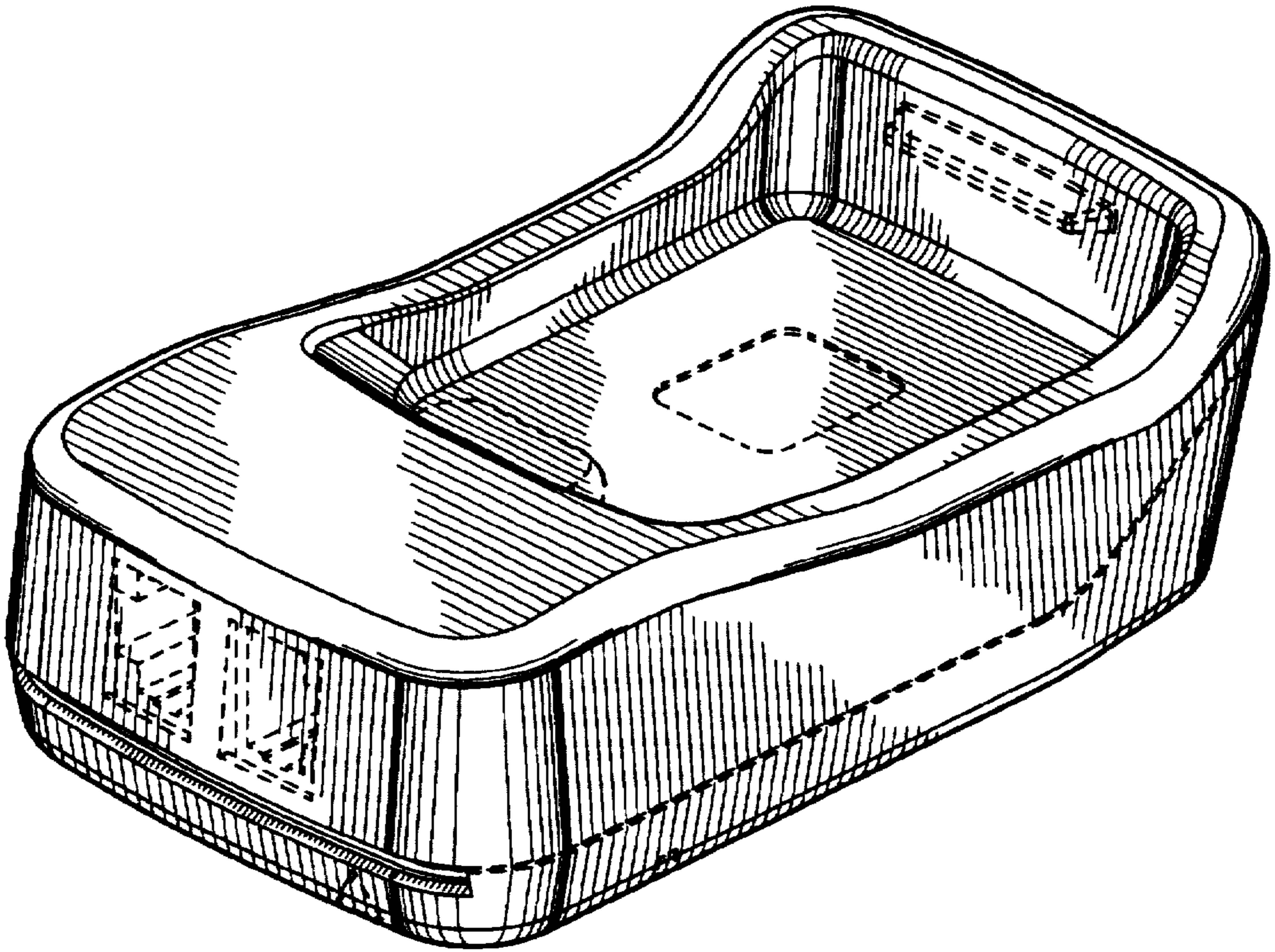


FIG. 1

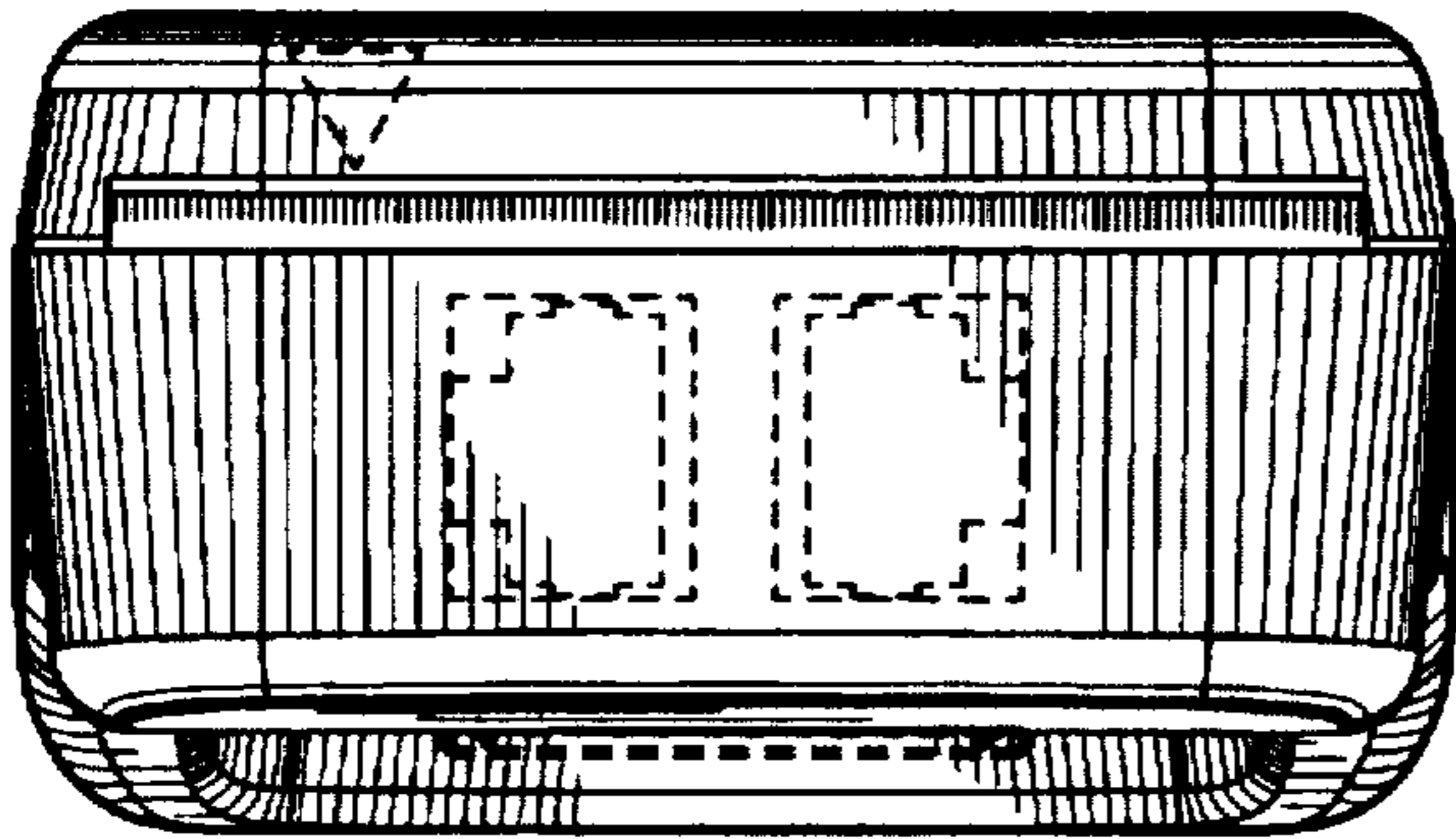


FIG. 2

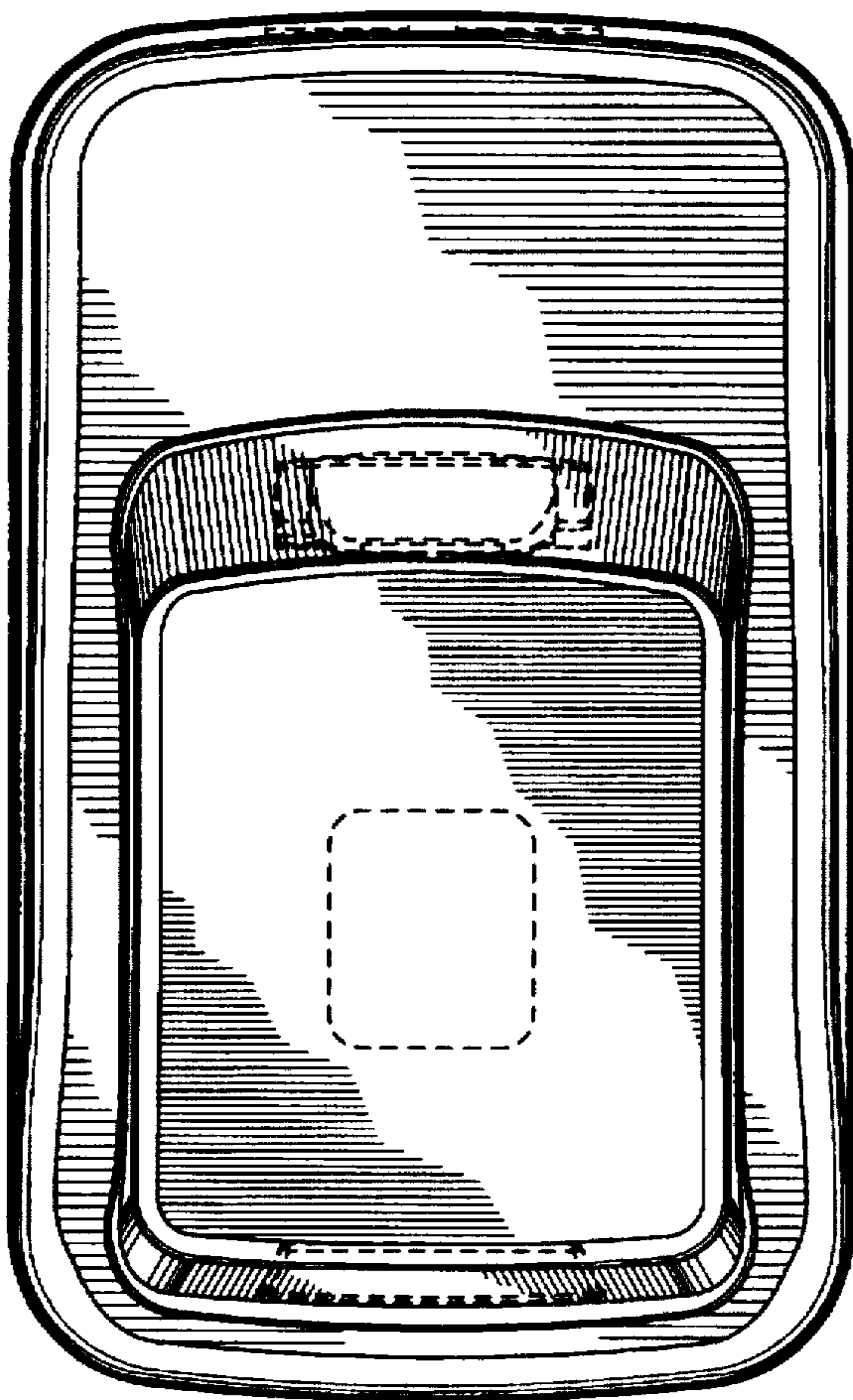


FIG. 3

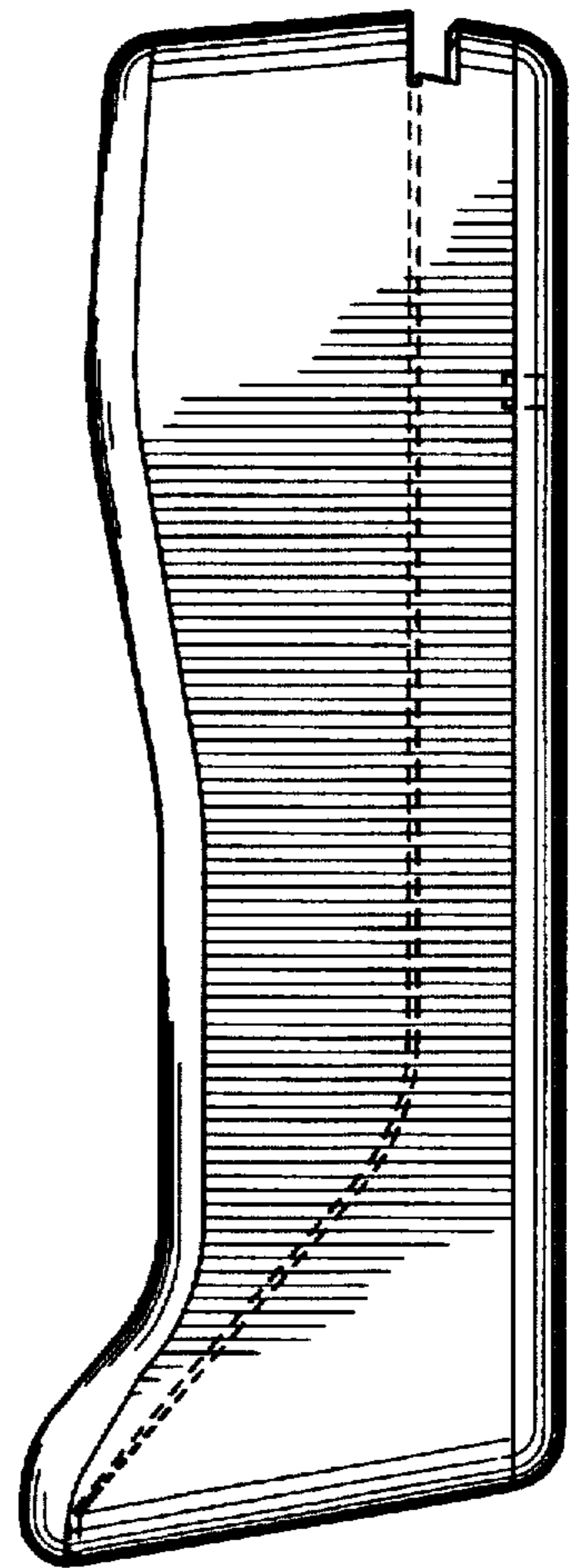


FIG. 4

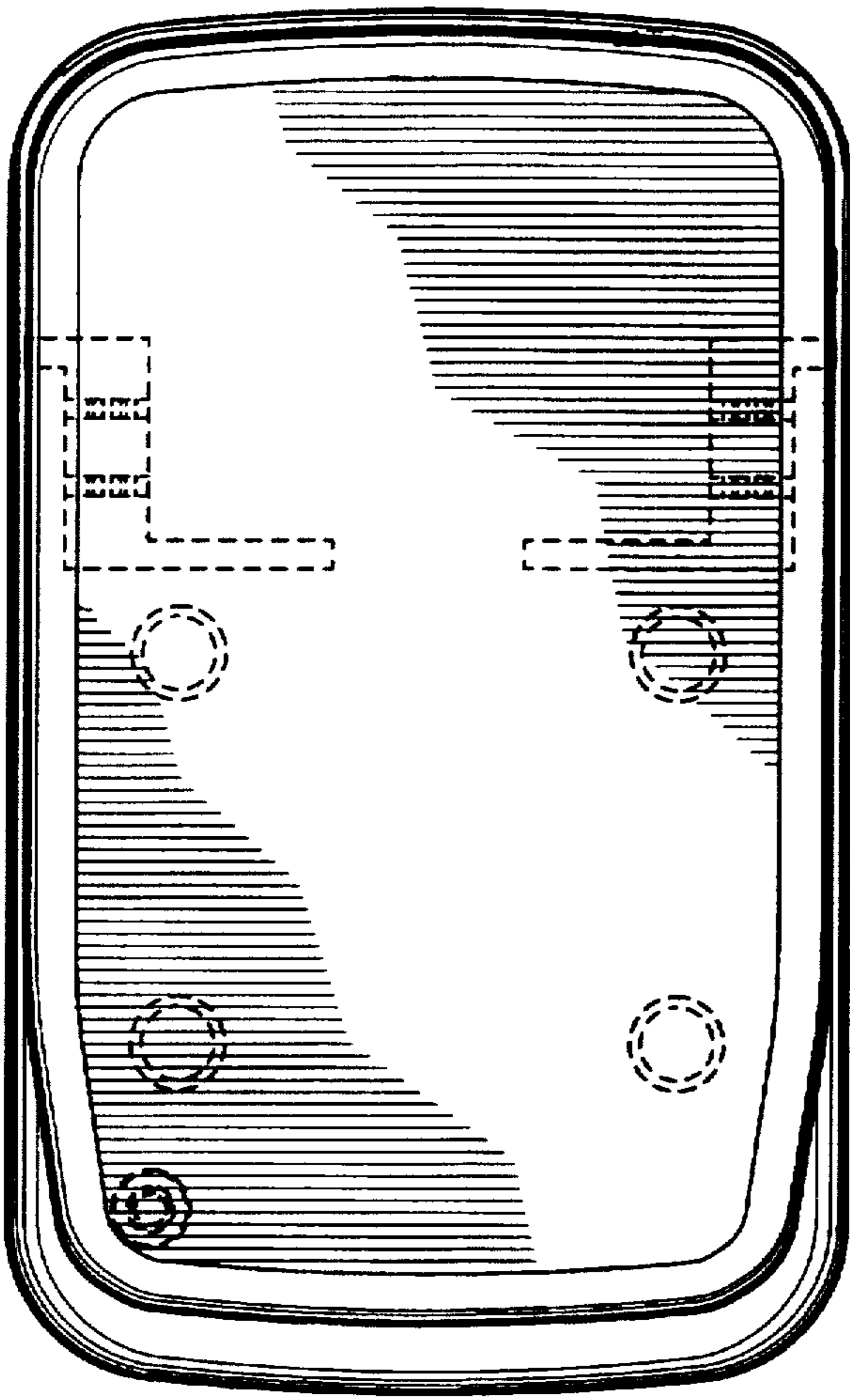


FIG. 5

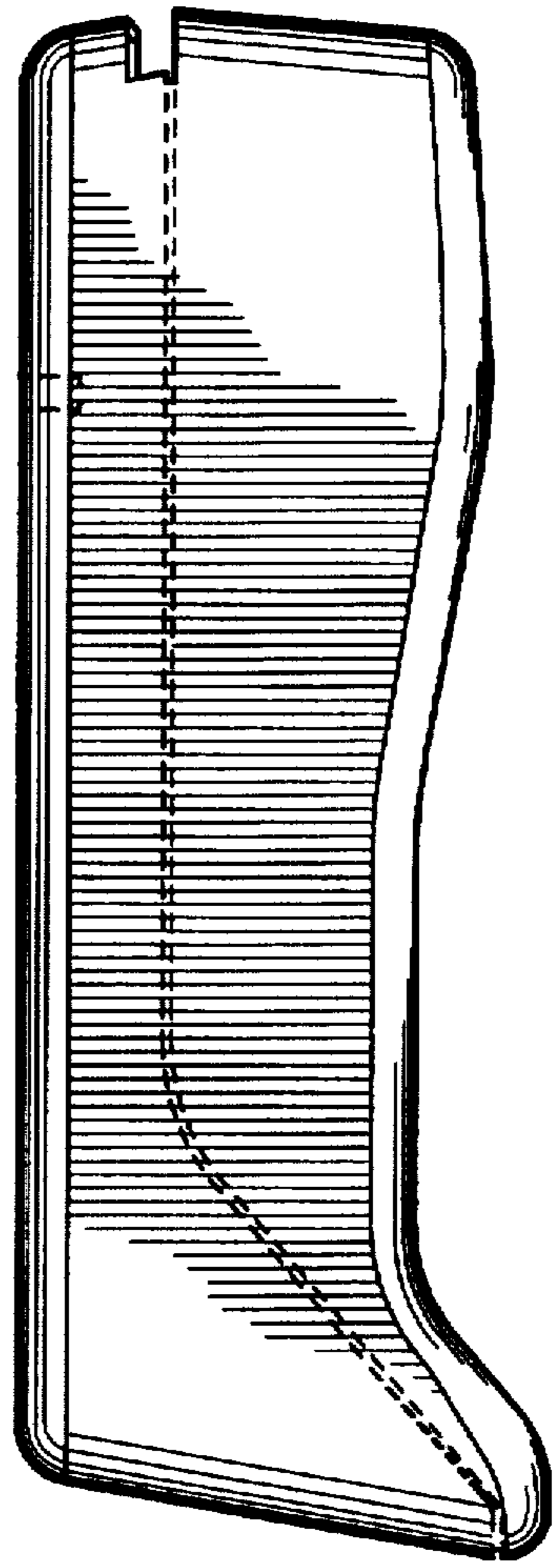


FIG. 6

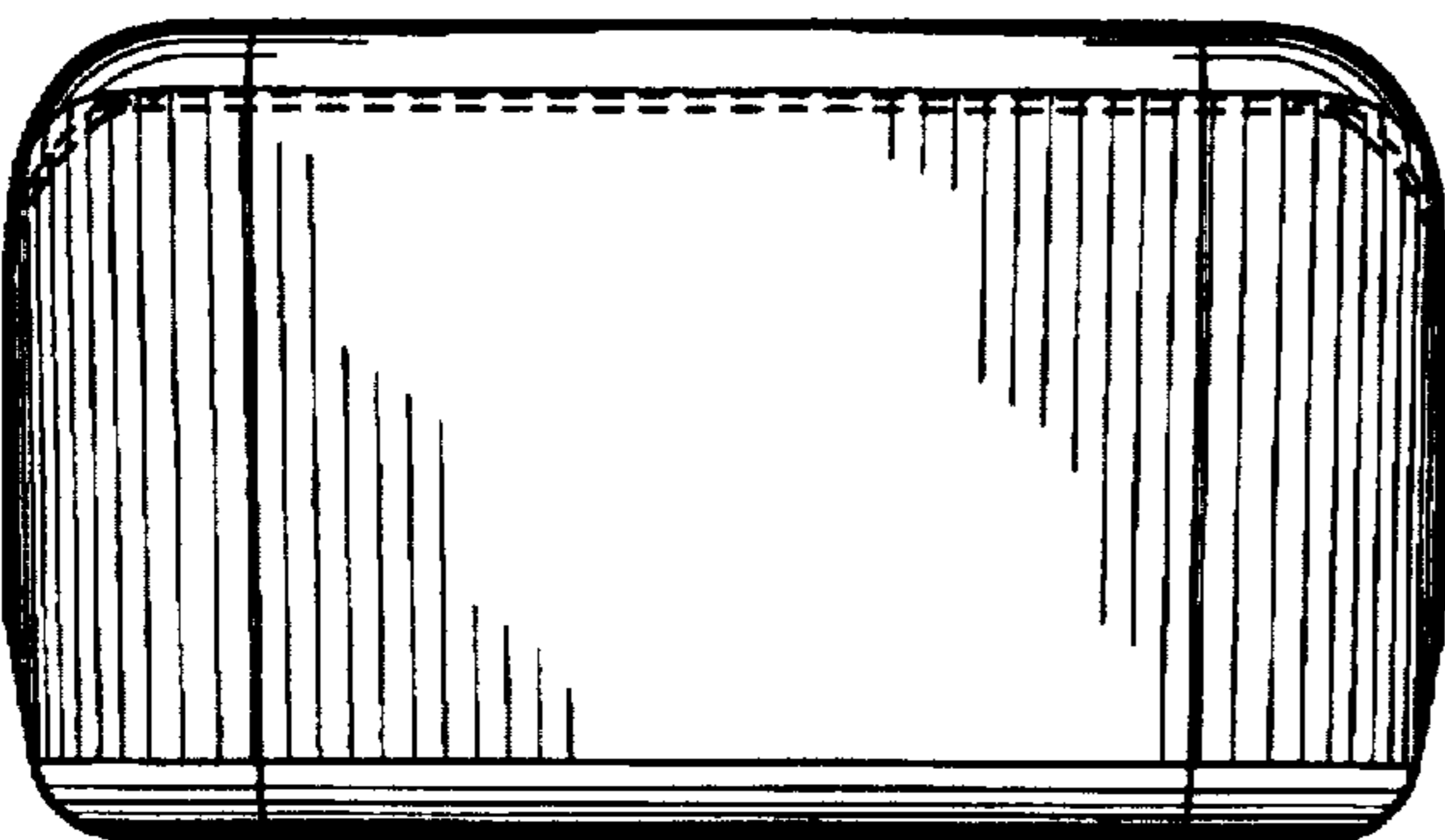


FIG. 7