



US00D408414S

# United States Patent [19]

Stead et al.

[11] Patent Number: Des. 408,414

[45] Date of Patent: \*\*Apr. 20, 1999

## [54] MICROPHONE GRILLE

[75] Inventors: **Brendon C. Stead**, Camas, Wash.; **Jason N. Linse**, Portland, Oreg.; **Bruce P. Lancaster**, Vancouver, Wash.; **Byron D. Smiley**, Portland, Oreg.; **Jeffrey S. Anderson**, Camas, Wash.

[73] Assignee: **Labtec, Inc.**, Vancouver, Wash.

[\*\*] Term: **14 Years**

[21] Appl. No.: **29/087,368**

[22] Filed: **May 1, 1998**

[51] LOC (6) Cl. .... **14-01**

[52] U.S. Cl. .... **D14/225; D14/219**

[58] Field of Search ..... **D14/206, 219, D14/220, 223, 225-229; 181/158, 242; 379/368, 430-431; 381/91, 122, 153, 168, 169, 183**

## [56] References Cited

### U.S. PATENT DOCUMENTS

- D. 195,957 8/1963 **Spilman** ..... D14/225
- D. 264,335 5/1982 **Huntington** .
- D. 300,924 5/1989 **Mauch** .
- D. 307,907 5/1990 **Siddoway et al.** .
- D. 374,874 10/1996 **Lindeman et al.** .
- D. 378,820 4/1997 **Tokiyama et al.** ..... D14/225
- D. 381,024 7/1997 **Hinzmann et al.** .
- 2,336,828 12/1943 **Zarth** ..... D14/225 X

*Primary Examiner*—Ted Shooman  
*Assistant Examiner*—Nanda Bondade

*Attorney, Agent, or Firm*—Hancock Meininger & Porter LLP

## [57] CLAIM

The ornamental design for a microphone grille, as shown and described.

## DESCRIPTION

FIG. 1 is a front, top and right side perspective view of a microphone grille showing our claimed design;  
 FIG. 2 is a front plan view thereof;  
 FIG. 3 is a rear plan view thereof;  
 FIG. 4 is a cross sectional view thereof, taken along the line 4—4 of FIG. 2;  
 FIG. 5 is a front, top and right side perspective view of another embodiment of a microphone grille showing our claimed design, the front and rear plan views of the embodiment of FIG. 5 being identical to that shown in FIG. 3;  
 FIG. 6 is a cross sectional view of the embodiment shown in FIG. 5, taken along the line 6—6 of FIG. 5;  
 FIG. 7 is a front, top and right side perspective view of another embodiment of a microphone grille showing our claimed design;  
 FIG. 8 is a front, top and right side perspective view of another embodiment of a microphone grille showing our claimed design;  
 FIG. 9 is a cross sectional view of the embodiment shown in FIG. 7, taken along the line of 9—9 of FIG. 7; and,  
 FIG. 10 is a cross sectional view of the embodiment shown in FIG. 8, taken along the line of 10—10 of FIG. 8.  
 The broken lines shown in the Figures are for illustrative purposes only and form no part of the claimed design.

1 Claim, 3 Drawing Sheets

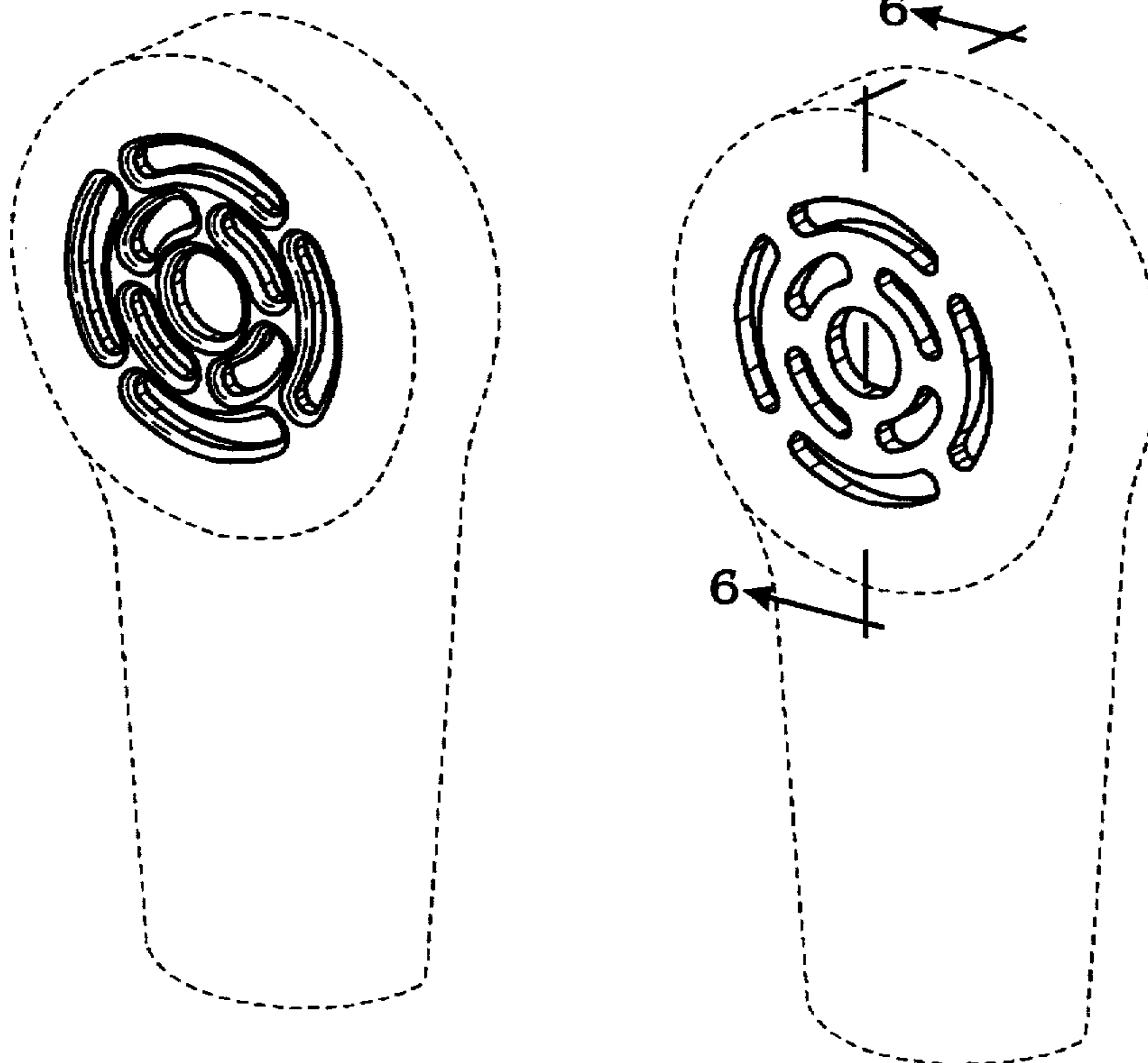


Fig. 1

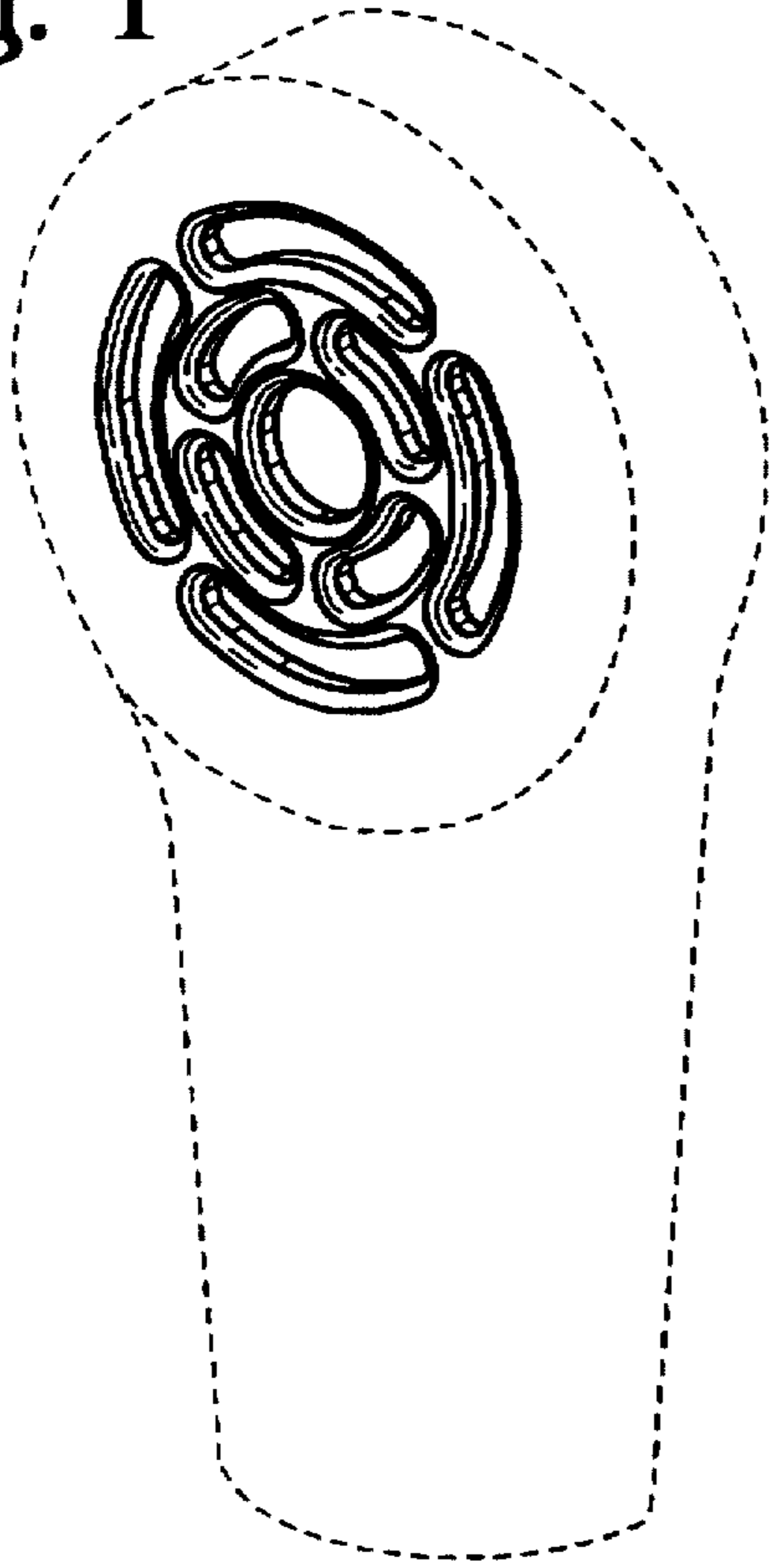


Fig. 2

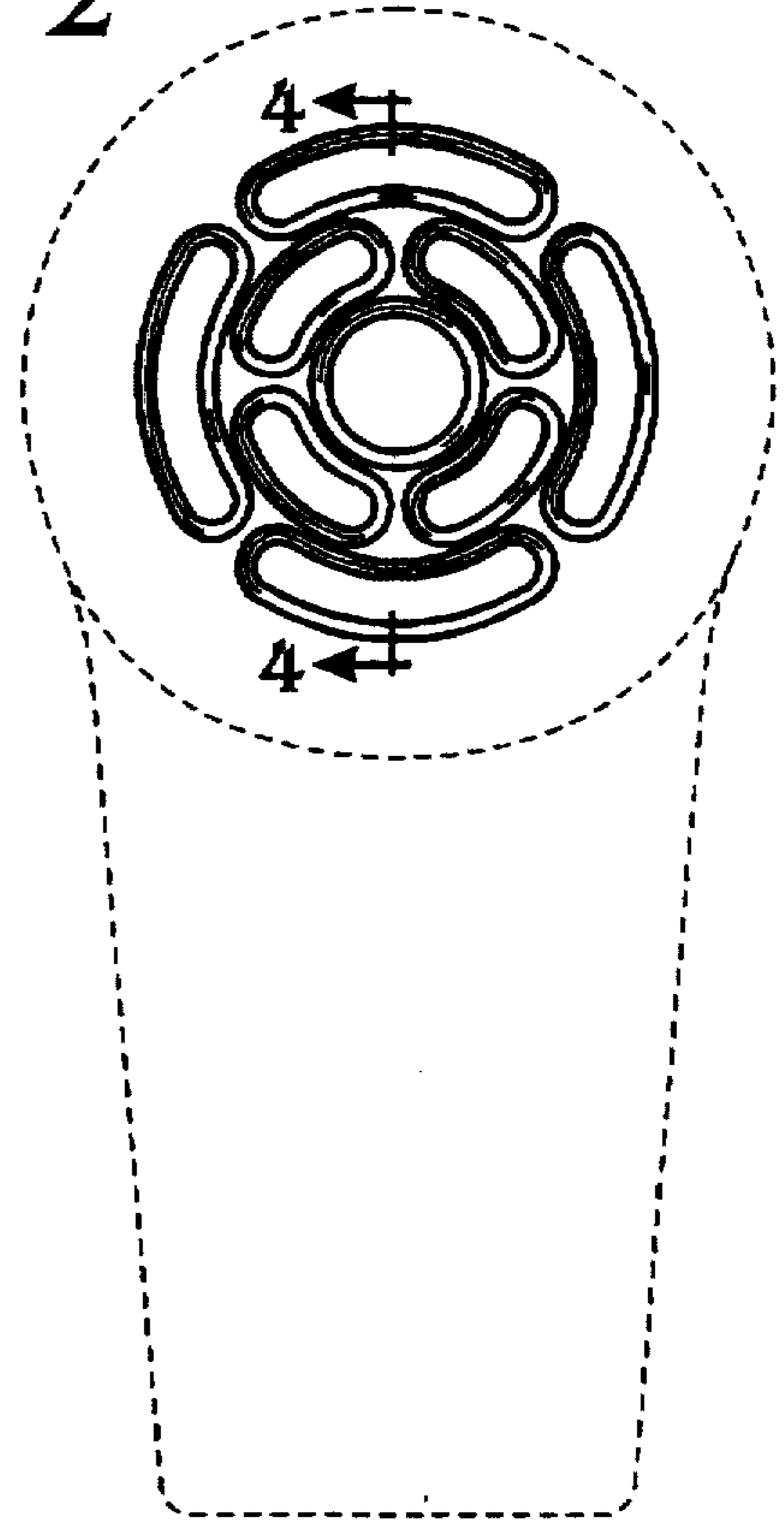


Fig. 3

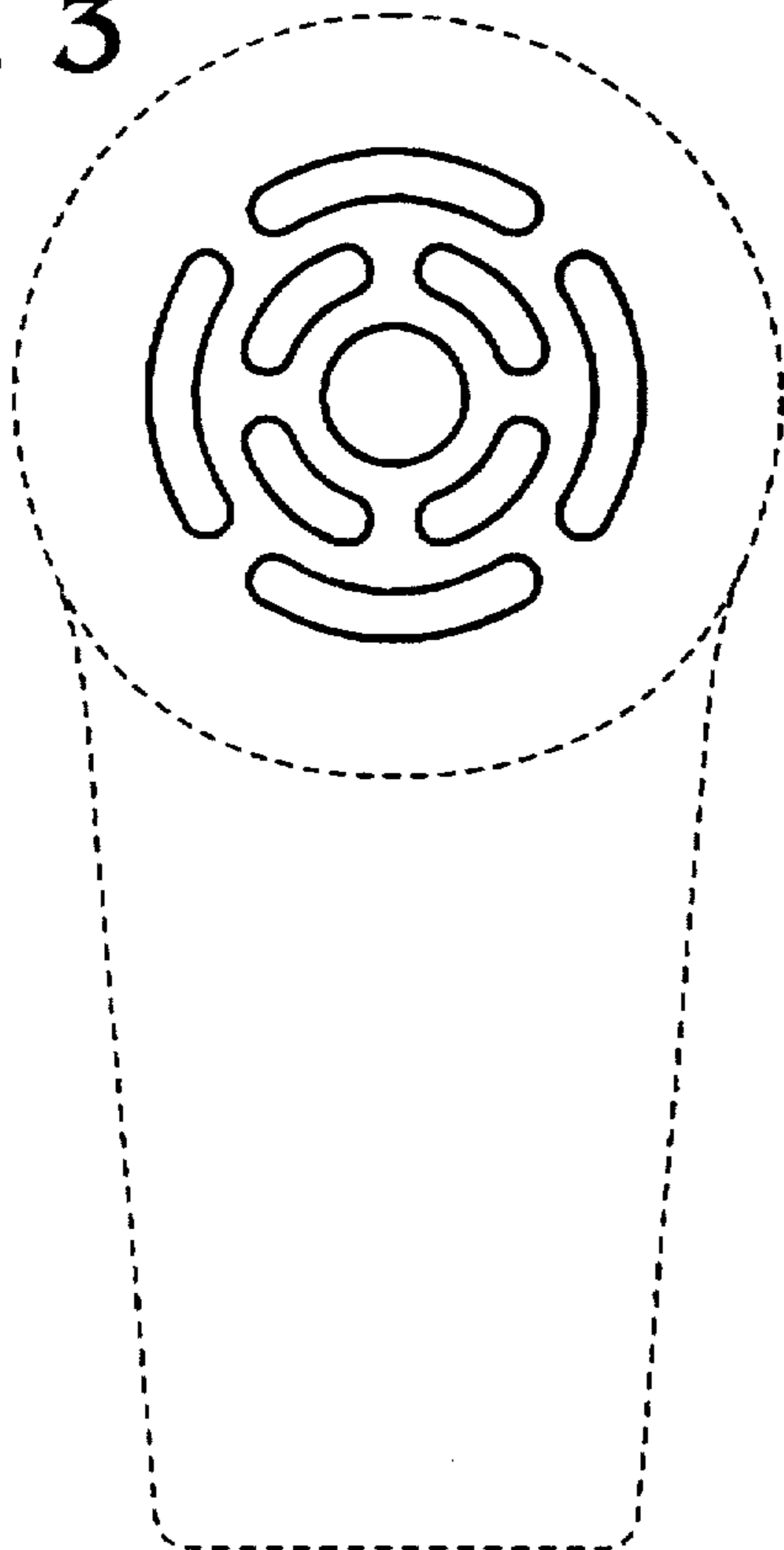


Fig. 4



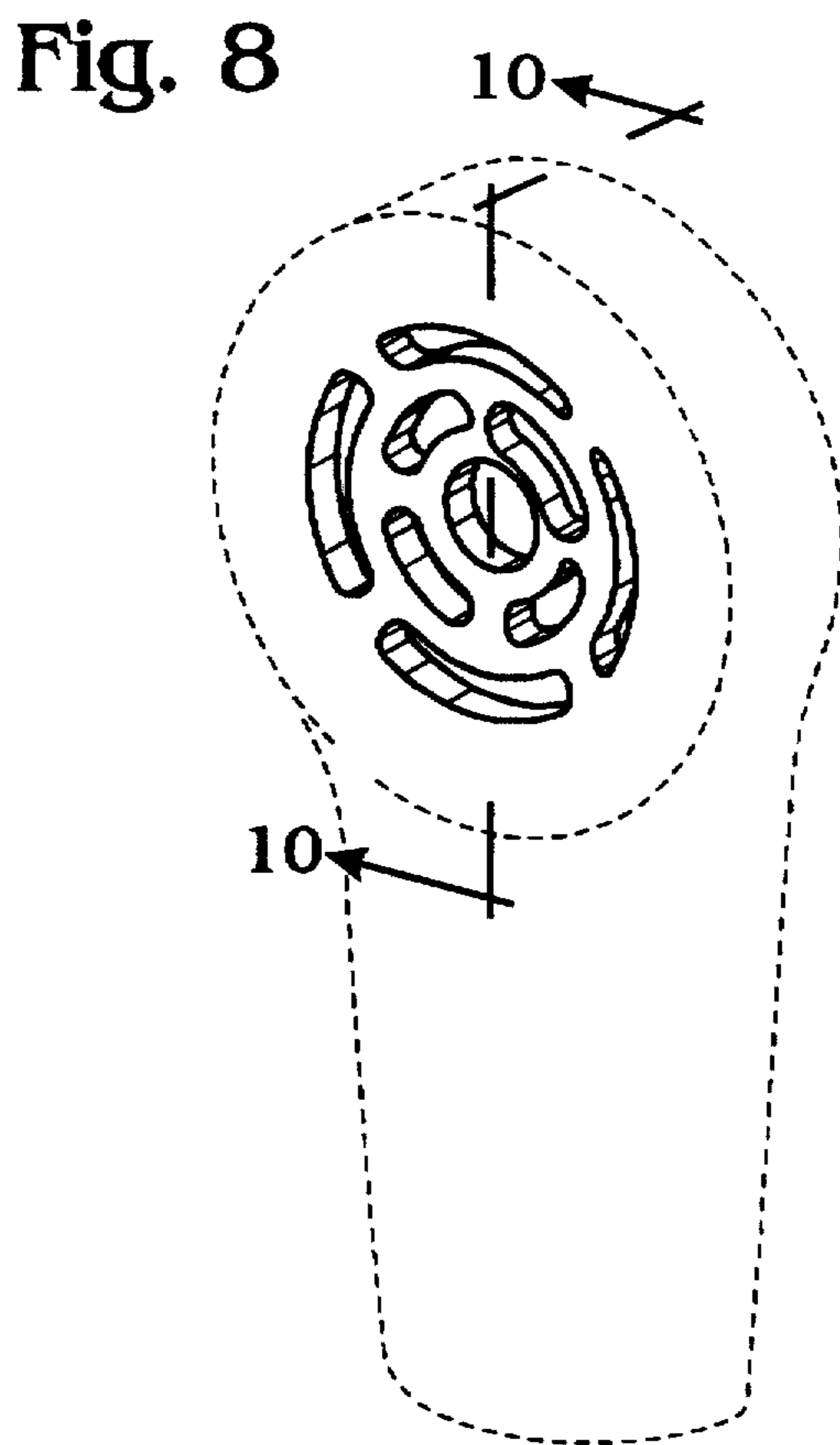
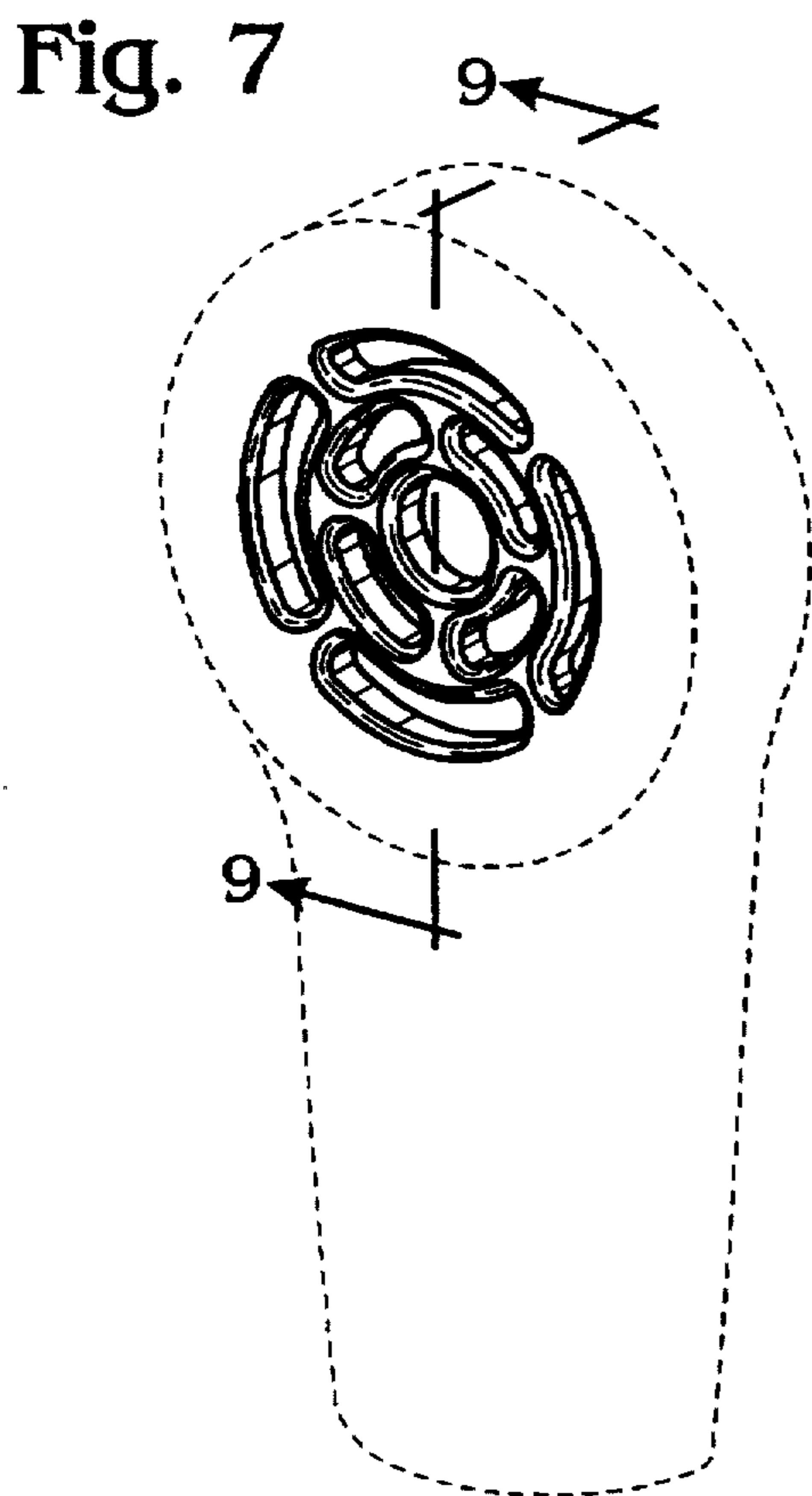
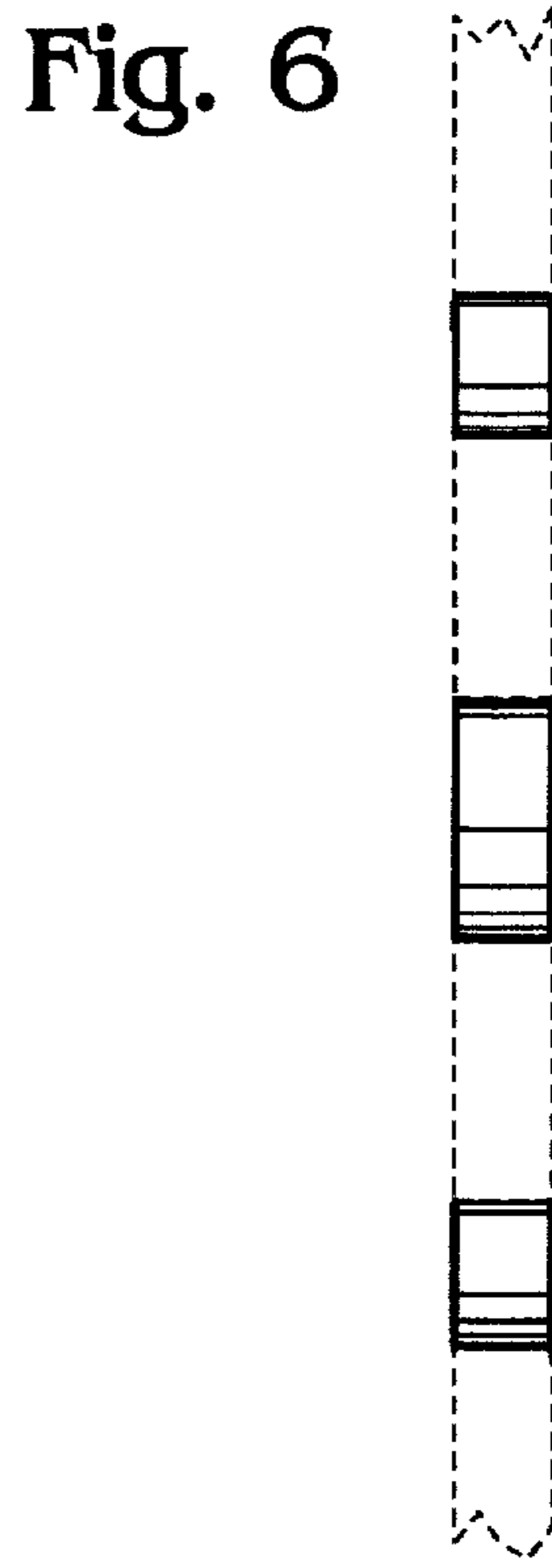
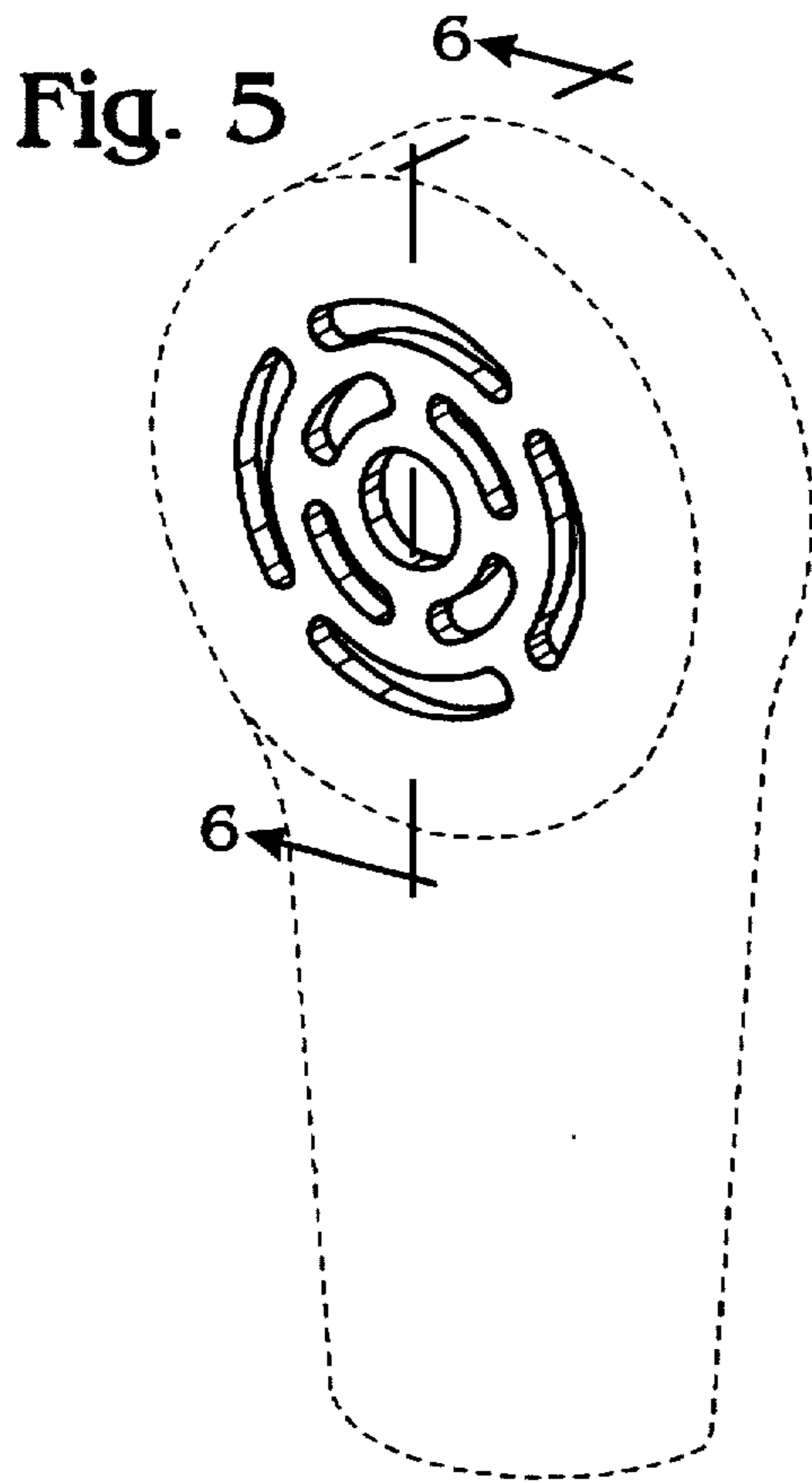


Fig. 9

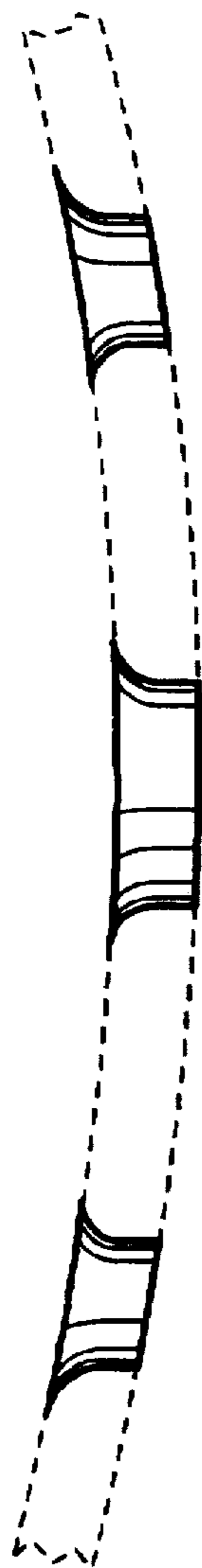


Fig. 10

