



US00D408412S

United States Patent [19]

[11] Patent Number: Des. 408,412

Zeitman

[45] Date of Patent: **Apr. 20, 1999

[54] COMBINED RADIO, CASSETTE AND CD-PLAYER

5,146,618 9/1992 Wenner 455/347 X

[75] Inventor: Josh Zeitman, Brooklyn, N.Y.

Primary Examiner—Ted Shooman
Assistant Examiner—Nanda Bondade
Attorney, Agent, or Firm—Burns, Doane, Swecker & Mathis, L.L.P.

[73] Assignee: Lenox Electronics Corp., Brooklyn, N.Y.

[**] Term: 14 Years

[57] CLAIM

[21] Appl. No.: 29/091,366

The ornamental design for a combined radio, cassette and CD-player, as shown and described.

[22] Filed: Jul. 28, 1998

DESCRIPTION

[51] LOC (6) CL 14-01

[52] U.S. Cl. D14/168

[58] Field of Search D14/124, 160-165,
D14/167-188, 193-198, 257, 260; 455/344,
347-351

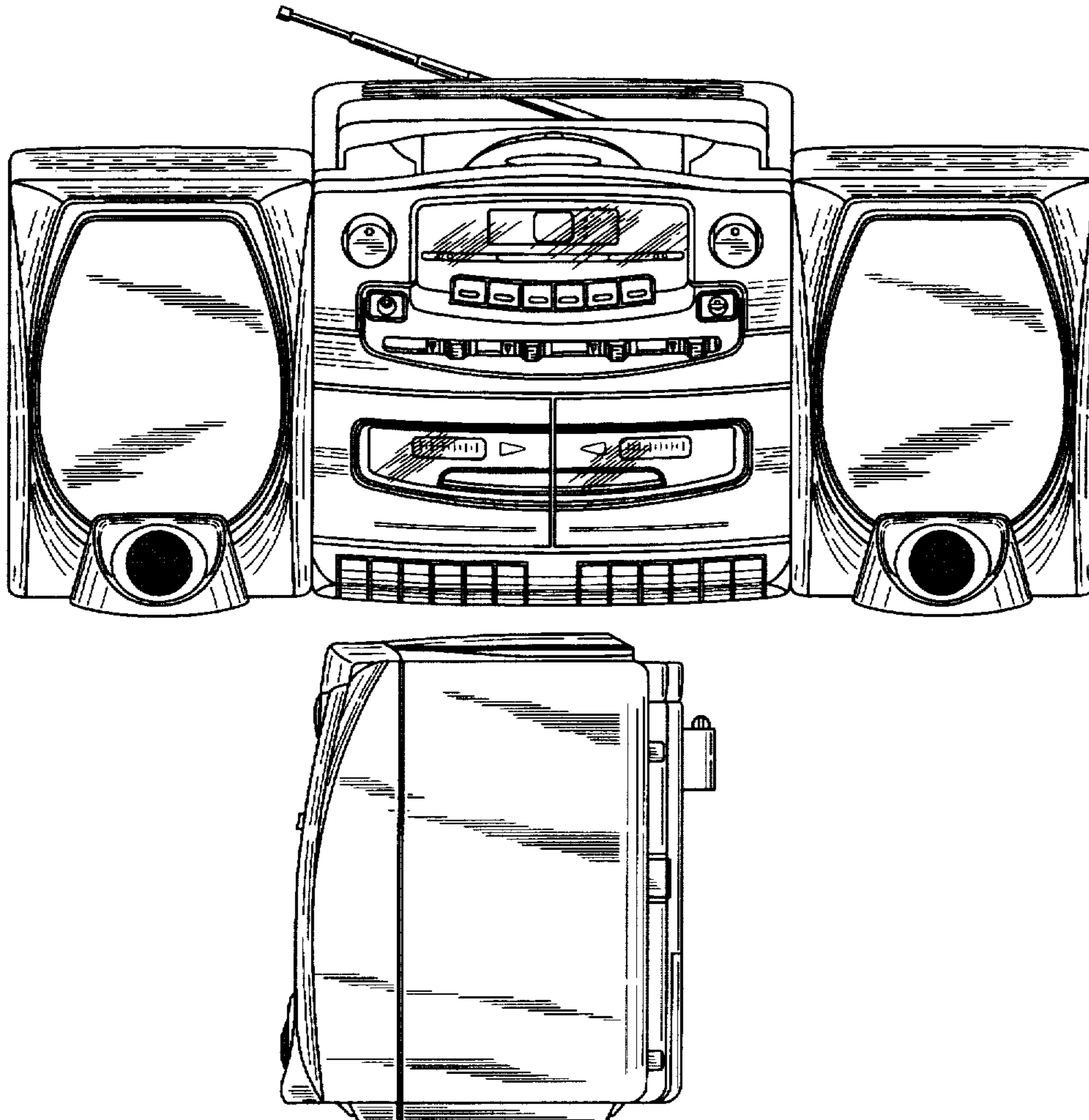
FIG. 1 is a perspective view showing my new design for a combined radio, cassette and CD-player, with the handle and aerial in a raised position;
FIG. 2 is a front view thereof, with the handle and aerial in a lowered position;
FIG. 3 is a rear view thereof;
FIG. 4 is a top plan view thereof;
FIG. 5 is a bottom view thereof;
FIG. 6 is a left side elevational view thereof; and,
FIG. 7 is a right side elevational view thereof.

[56] References Cited

U.S. PATENT DOCUMENTS

- D. 319,058 8/1991 Kukita et al. D14/168 X
- D. 327,683 7/1992 Takimoto D14/168
- D. 350,960 9/1994 Sakata et al. D14/165 X

1 Claim, 6 Drawing Sheets



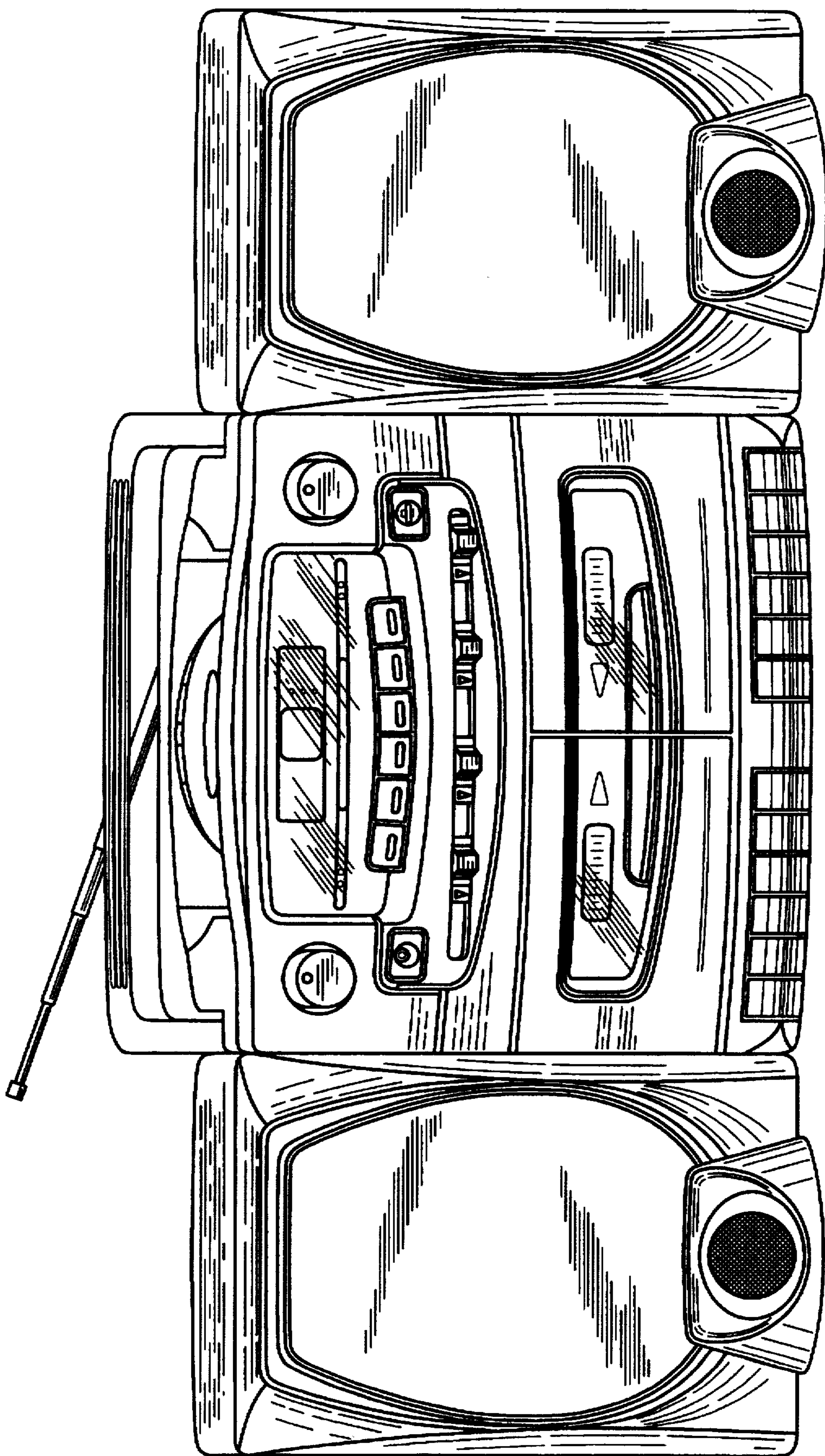


FIG. 1

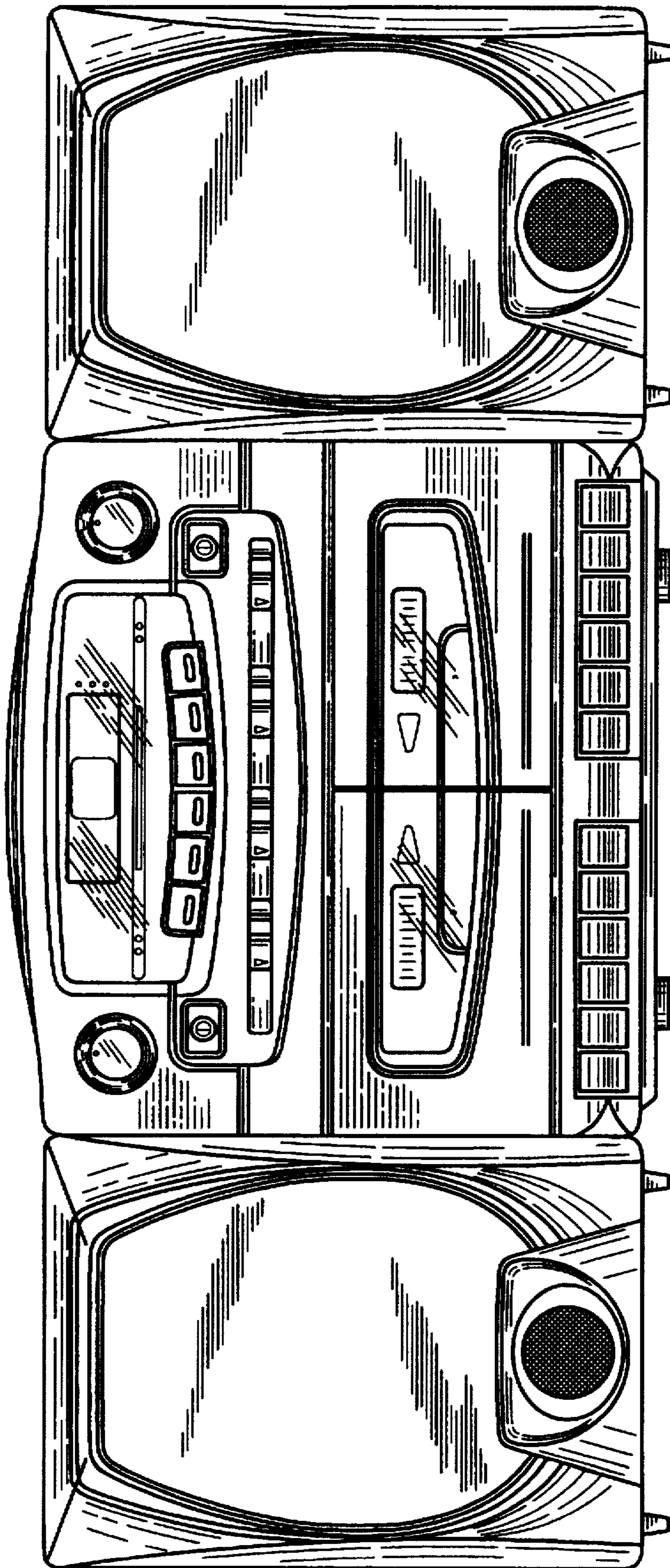


FIG. 2

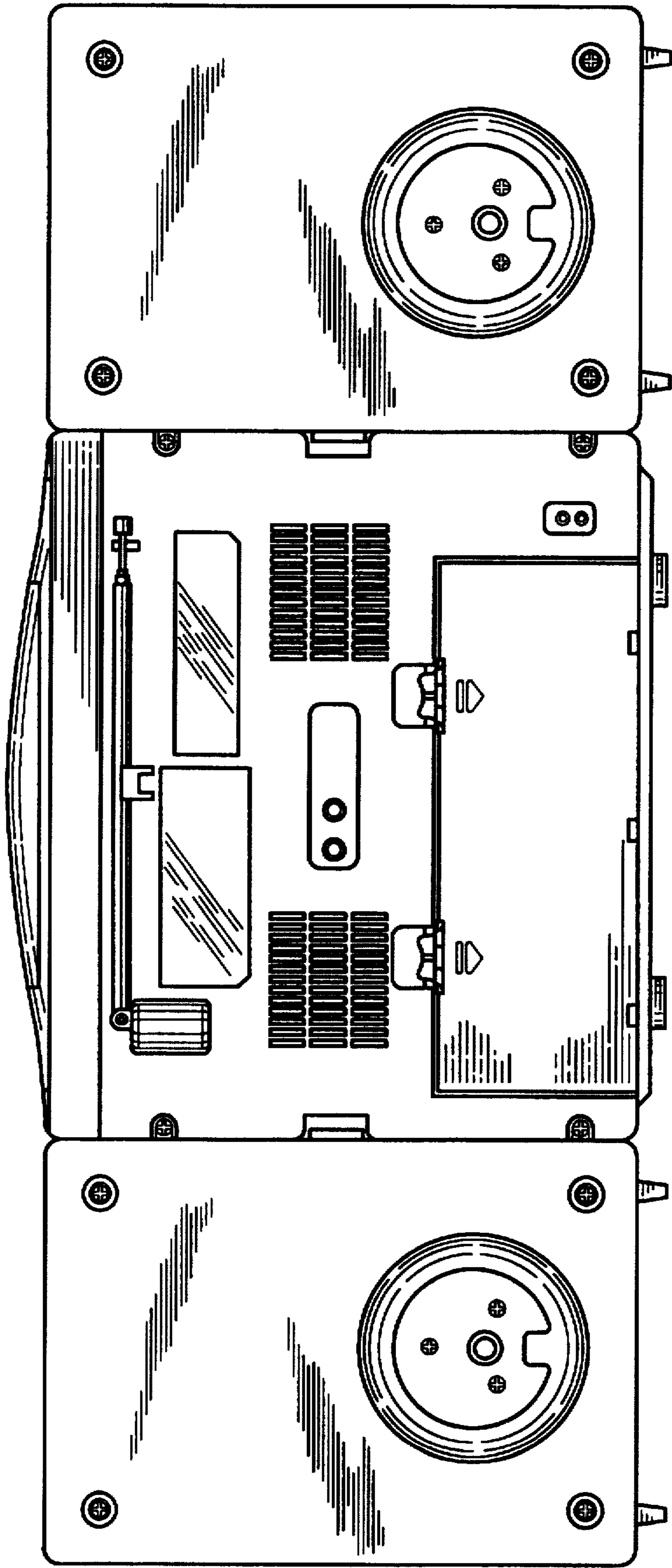


FIG. 3

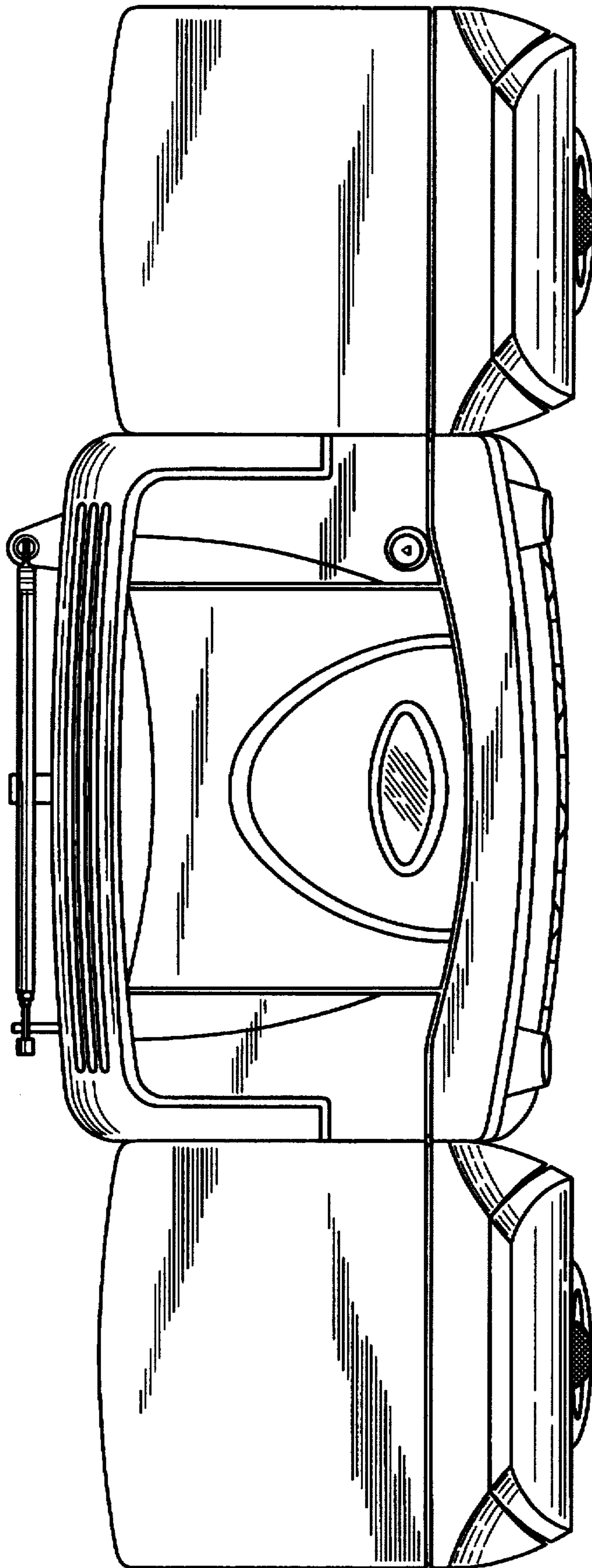


FIG. 4

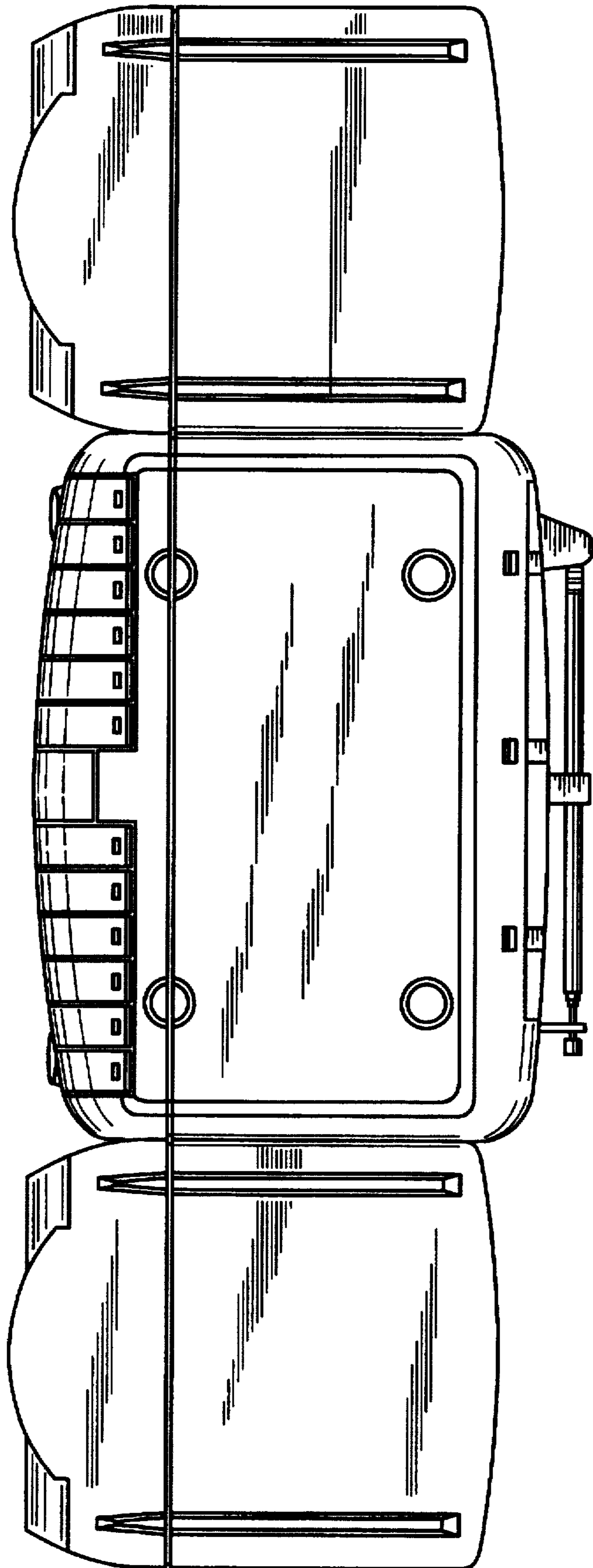


FIG. 5

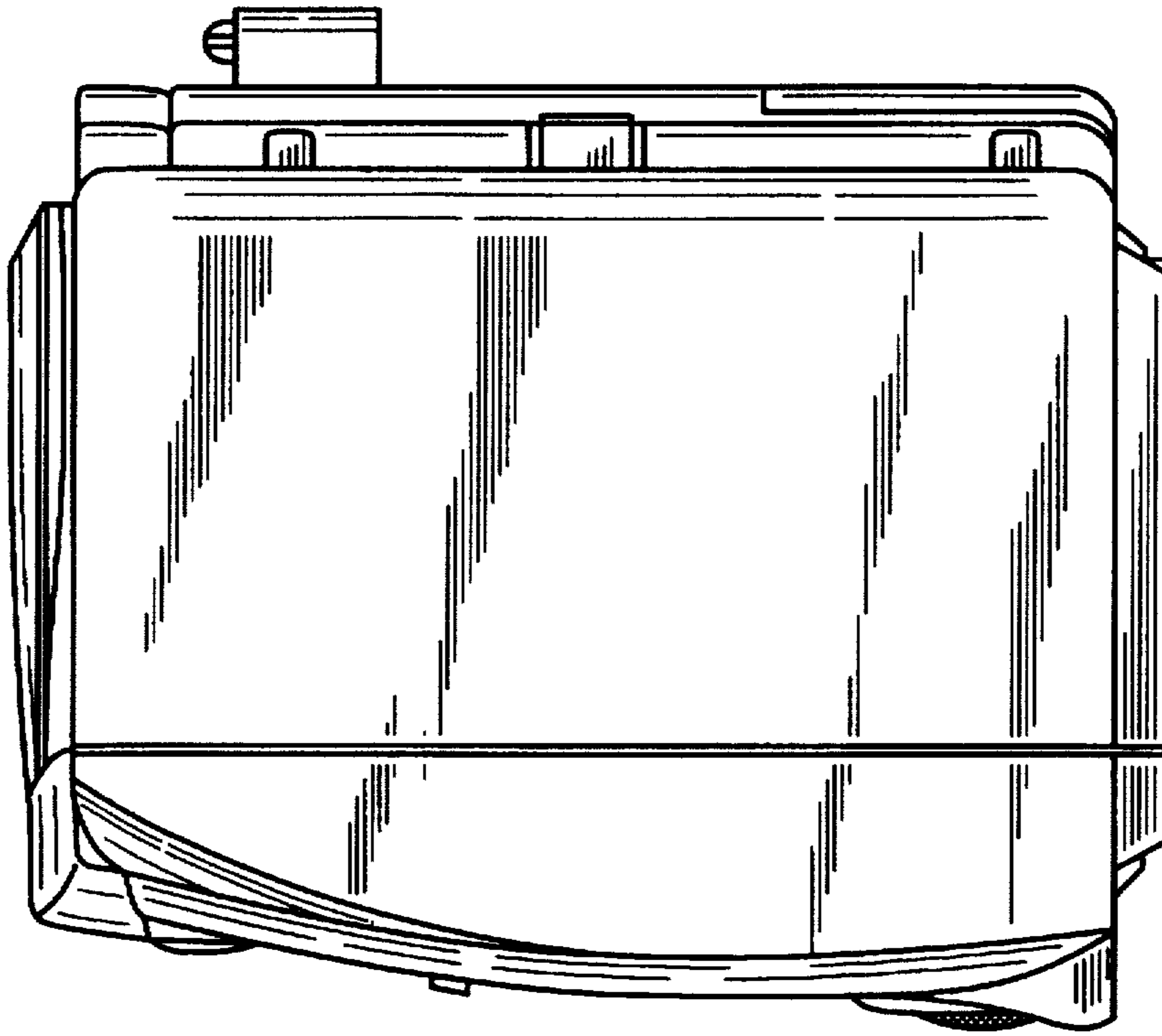


FIG. 7

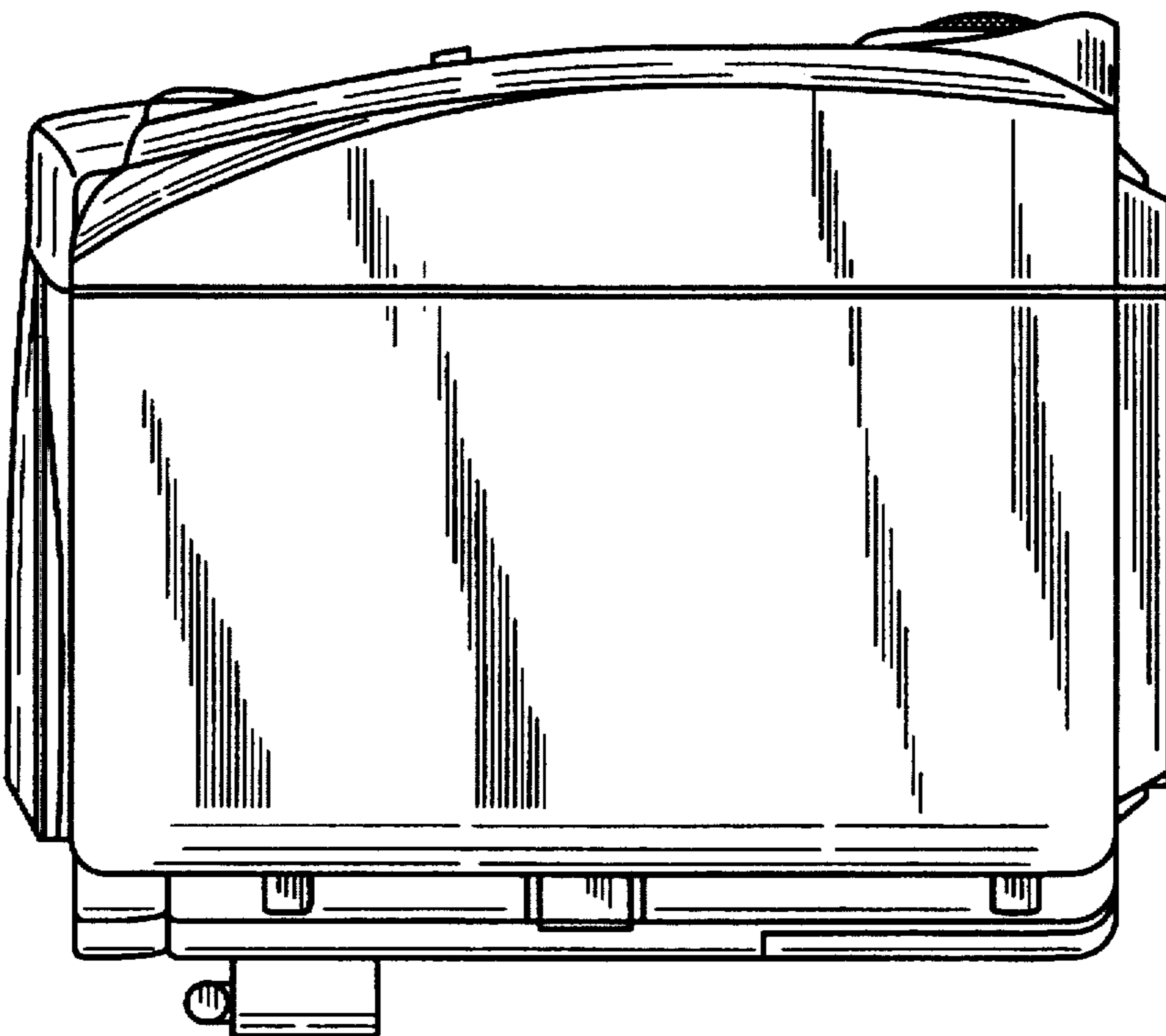


FIG. 6