



US00D408411S

United States Patent [19]

Hakoda

[11] Patent Number: Des. 408,411

[45] Date of Patent: **Apr. 20, 1999

[54] RADIO RECEIVER COMBINED WITH GENERATOR

[75] Inventor: Katsuhisa Hakoda, Tokyo, Japan

[73] Assignee: Sony Corporation, Tokyo, Japan

[**] Term: 14 Years

[21] Appl. No.: 29/075,548

[22] Filed: Aug. 29, 1997

[51] LOC (6) CL 14-01

[52] U.S. Cl. D14/168; D14/188

[58] Field of Search D14/160-163, D14/165, 168, 188, 192-198; 455/344, 347, 350, 351

[56] **References Cited**

U.S. PATENT DOCUMENTS

- D. 144,717 5/1946 Kaiser, Jr. D14/195
- D. 240,453 7/1976 Okada et al. D14/195

- D. 292,800 11/1987 Davidson D14/195
- D. 344,949 3/1994 So D14/196 X

Primary Examiner—Ted Shooman
Assistant Examiner—Nanda Bondade
Attorney, Agent, or Firm—Foley & Lardner

[57] **CLAIM**

The ornamental design for a radio receiver combined with a generator, as shown and described.

DESCRIPTION

FIG. 1 is a perspective view of a first embodiment of a radio receiver combined with a generator showing my new design; FIG. 2 is a top plan view thereof; FIG. 3 is a left side elevational view thereof; FIG. 4 is a front elevational view thereof; FIG. 5 is a bottom plan view thereof; FIG. 6 is a right side elevational view thereof; and, FIG. 7 is a rear elevational view thereof.

1 Claim, 3 Drawing Sheets

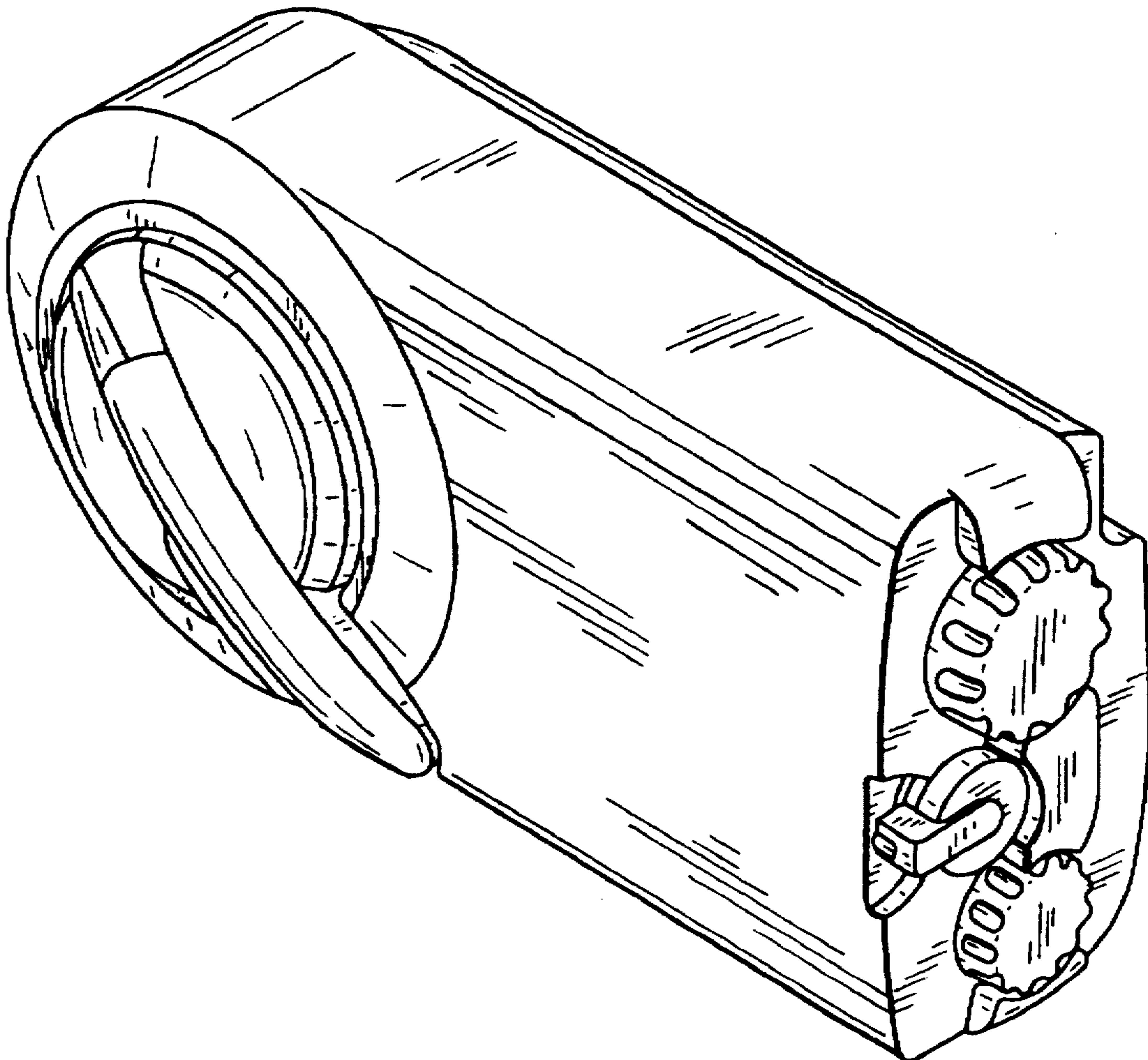


FIG. 1

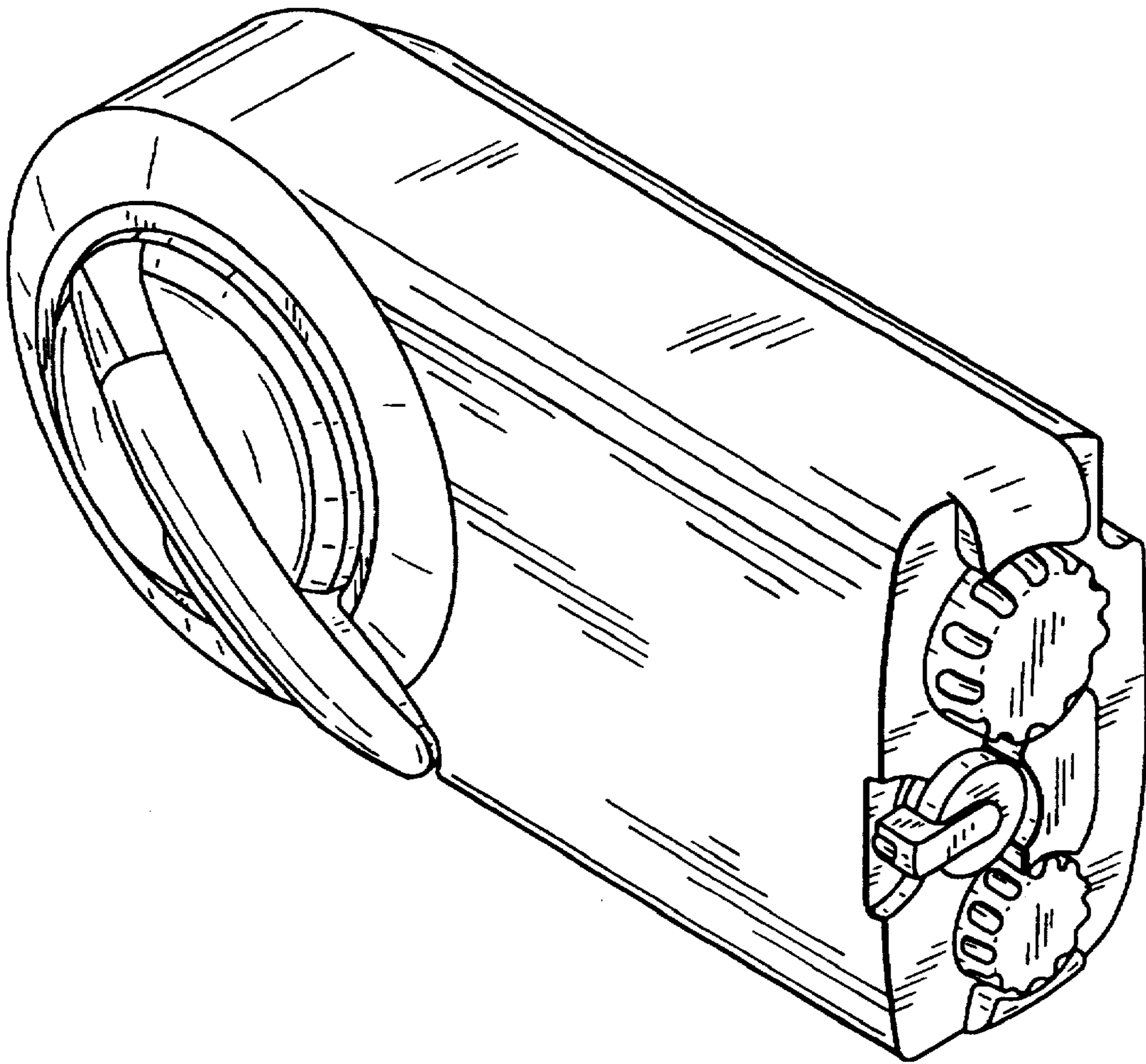


FIG. 2

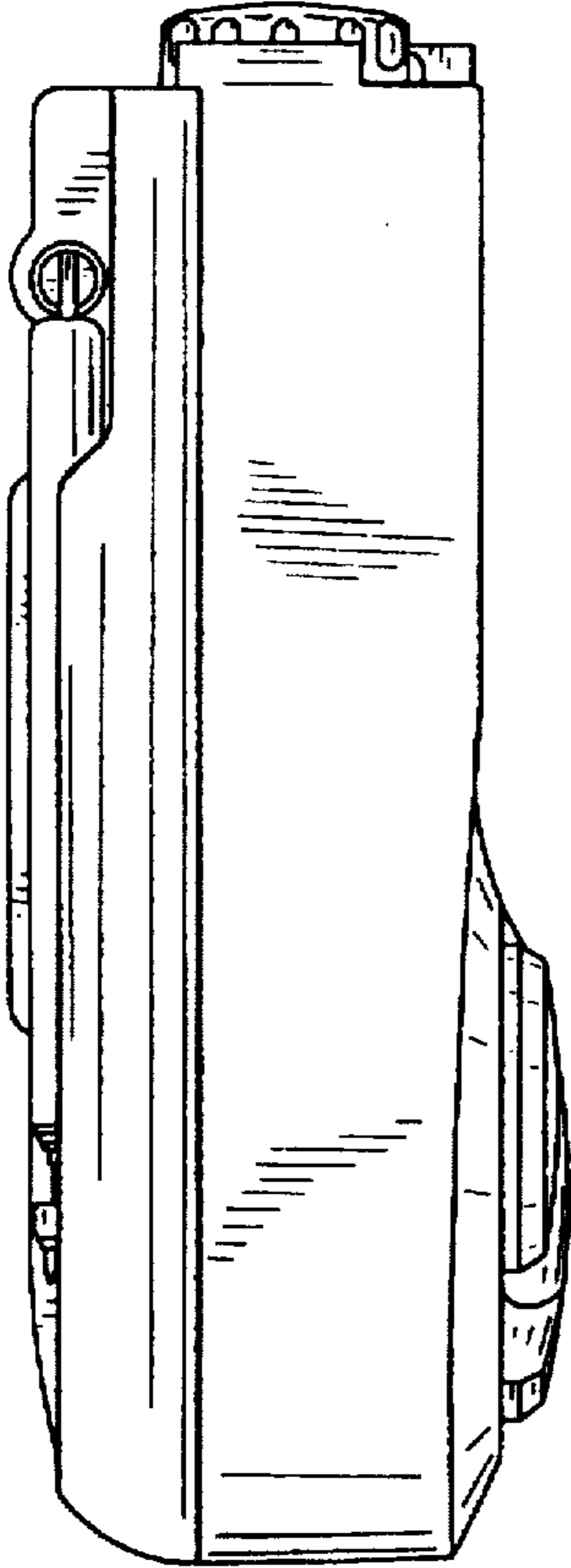


FIG. 4

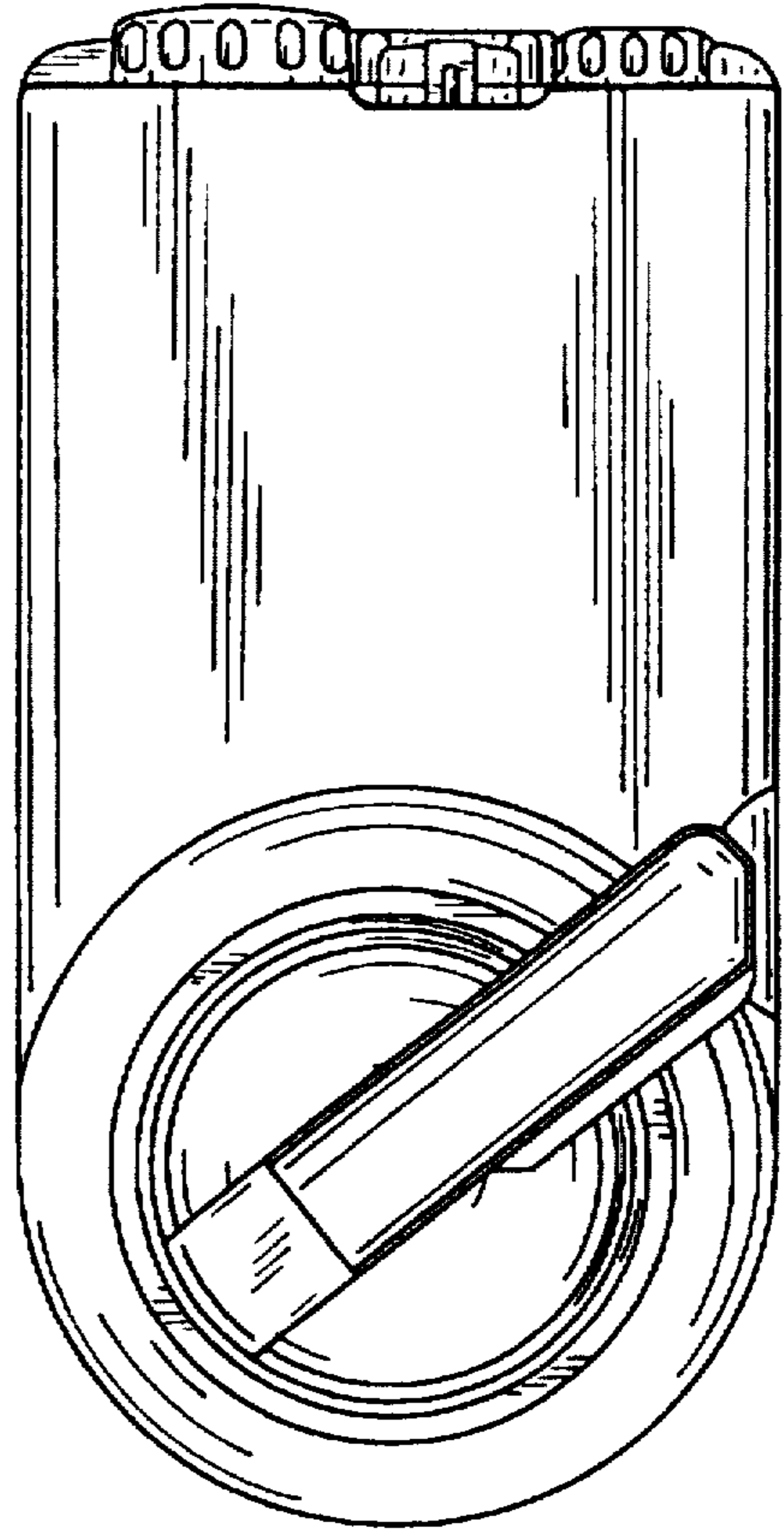


FIG. 3

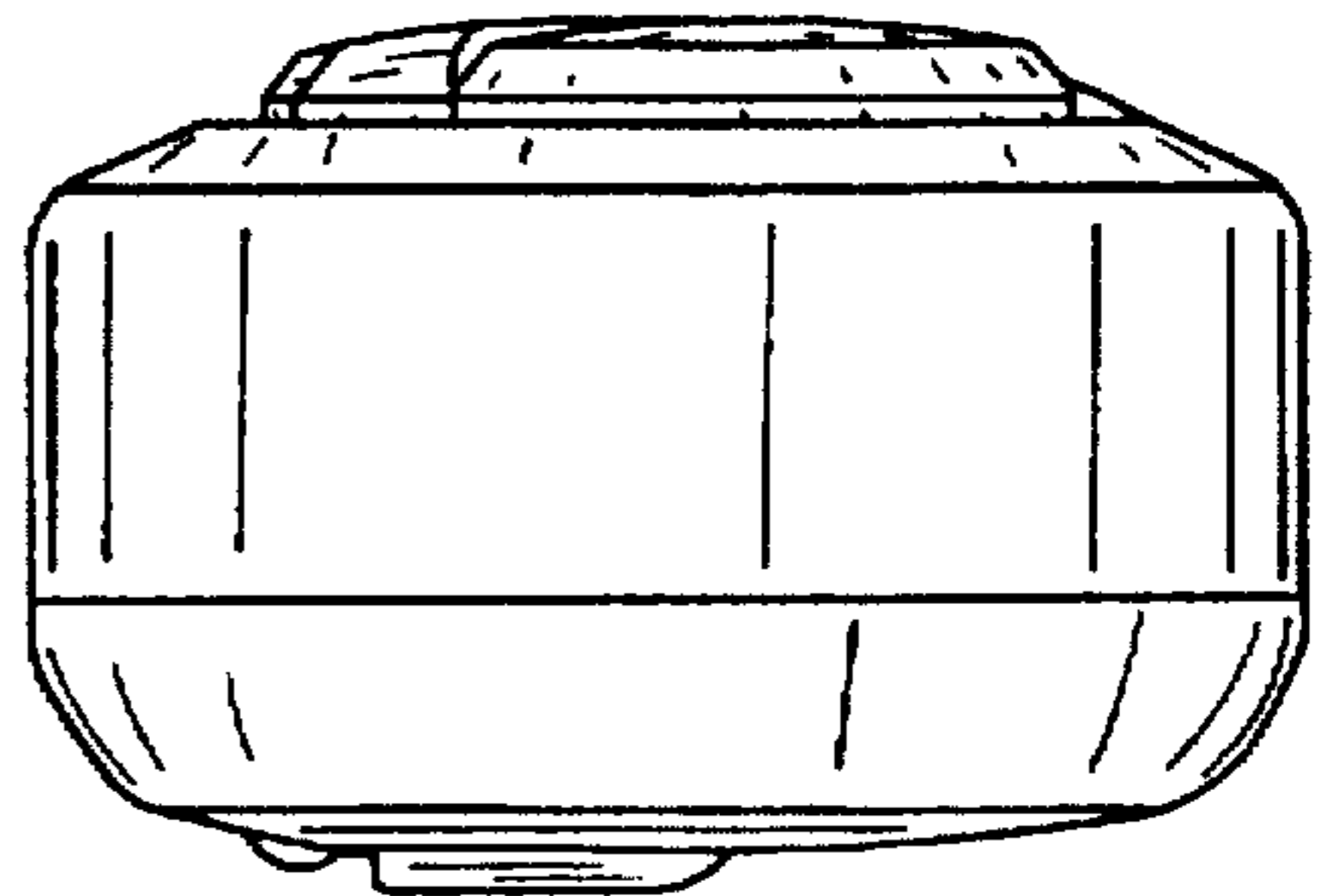


FIG. 5

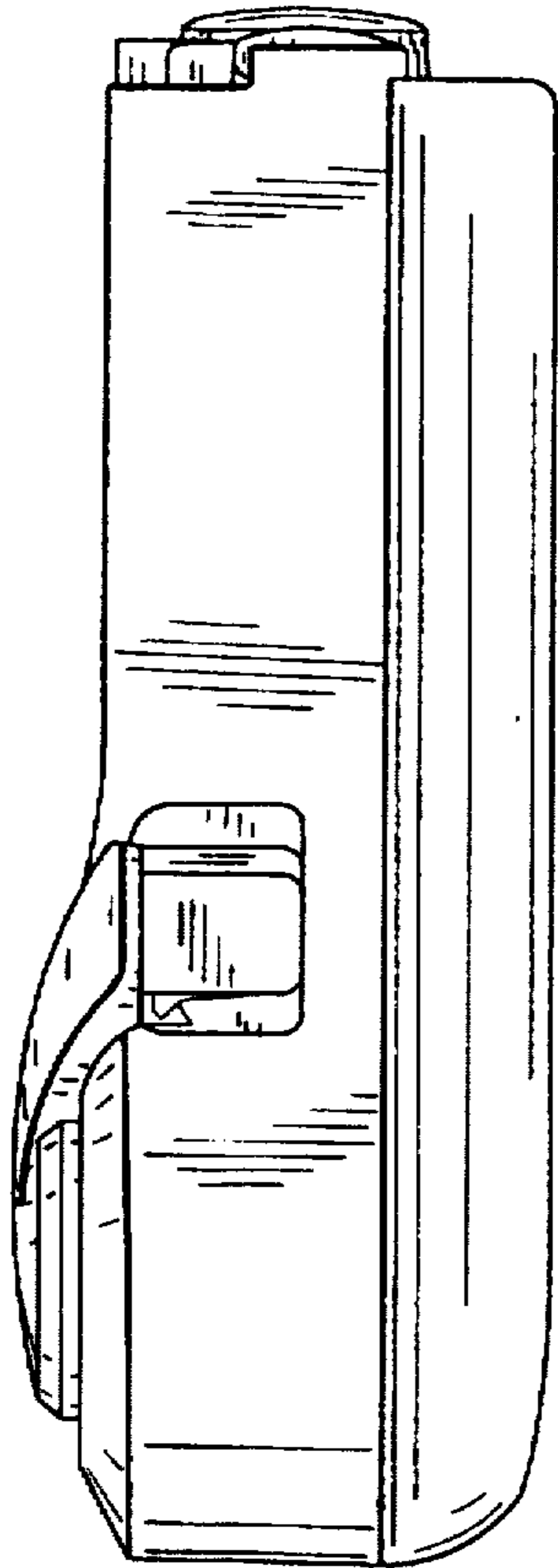


FIG. 7

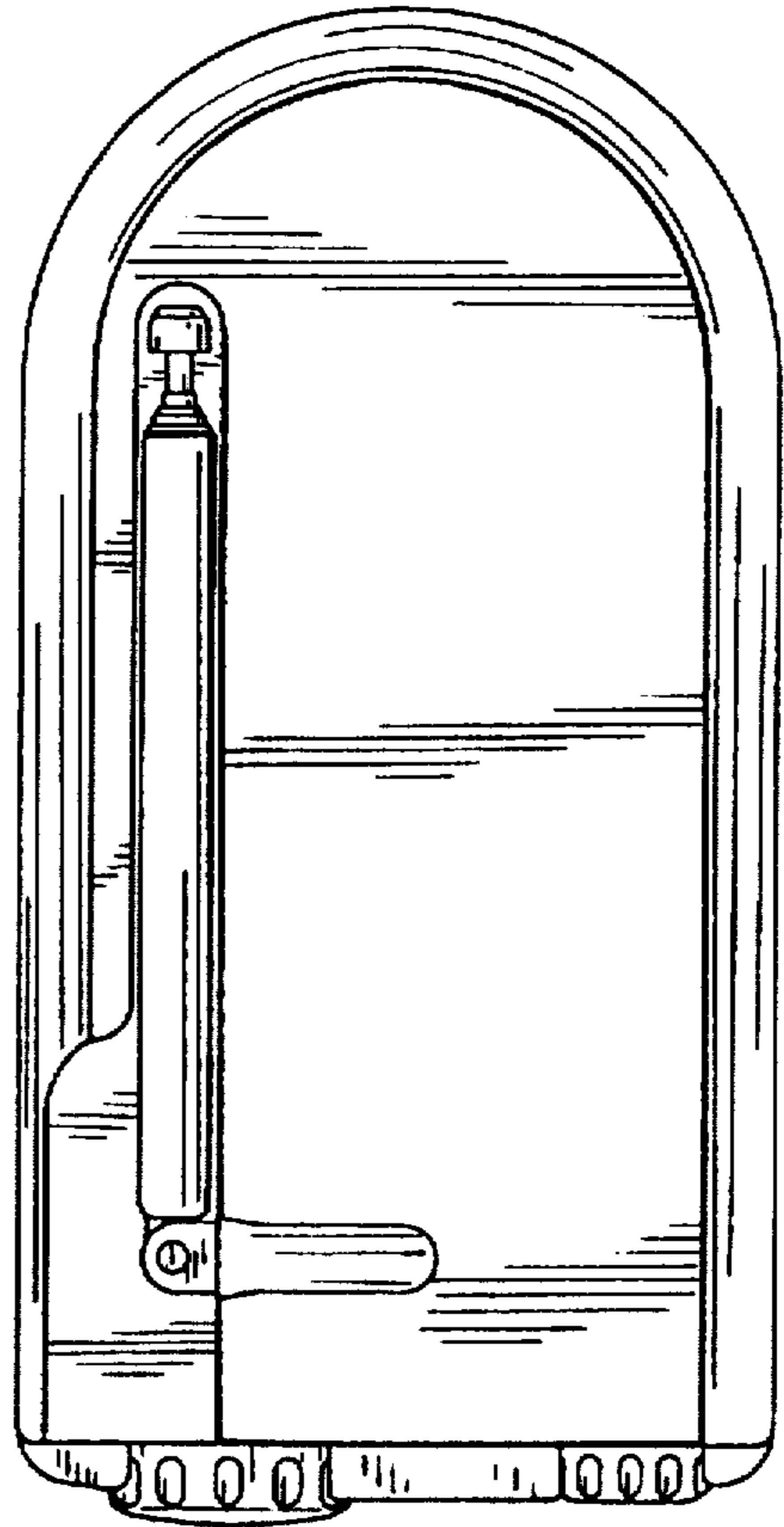


FIG. 6

