



US00D408404S

**United States Patent** [19]  
**Hall**

[11] **Patent Number: Des. 408,404**  
[45] **Date of Patent: \*\*Apr. 20, 1999**

[54] **PAY TELEPHONE HOUSING WITH PROGRAMMABLE KEYS AND LCD DISPLAY**

[75] **Inventor: Richard W. Hall, Athens, Ala.**

[73] **Assignee: Quadrum Telecommunications, Inc., Huntsville, Ala.**

[\*\*] **Term: 14 Years**

[21] **Appl. No.: 29/085,151**

[22] **Filed: Mar. 18, 1998**

[51] **LOC (6) Cl. .... 14-03**

[52] **U.S. Cl. .... D14/146**

[58] **Field of Search .... D14/137, 138, D14/140, 142, 147-151, 146, 240; 379/433-436, 419, 420, 428, 440, 430, 453, 143-155, 368**

[56] **References Cited**

**U.S. PATENT DOCUMENTS**

D. 229,426	11/1973	Janda et al. ....	D14/146
D. 301,036	5/1989	Yamazaki et al. ....	D14/151 X
D. 302,273	7/1989	Adachi et al. ....	D14/146
D. 304,725	11/1989	Rose ....	D14/142
D. 345,973	4/1994	Kwon et al. ....	D14/146
D. 363,063	10/1995	Eden ....	D14/146 X
D. 375,953	11/1996	Smith et al. ....	D14/146
4,672,661	6/1987	Clark, Jr. et al. ....	379/144
4,974,257	11/1990	Ibanez et al. ....	379/143
5,061,023	10/1991	Soubliere .	

**OTHER PUBLICATIONS**

Protel, Inc., advertisement, trade magazine (Spring of 1997?).

Northern Telecom, advertising flyer, Nashville, Tennessee (late 1994 or early 1995?).

International Connectors and Cable Corporation, advertisement, trade magazine (1997 or 1998?).

*Primary Examiner*—Jeffrey Asch  
*Attorney, Agent, or Firm*—Arthur A. Gardner & Associates, P.C.

[57] **CLAIM**

The ornamental design for pay telephone housing with programmable keys and LCD display, as shown and described.

**DESCRIPTION**

FIG. 1 is a perspective illustration of a pay telephone housing with programmable keys and LCD display showing my new design.

FIG. 2 is a front elevation view of the pay telephone housing of FIG. 1.

FIG. 3 is a left side elevation view of the pay telephone housing of FIG. 1.

FIG. 4 is a right side elevation view of the pay telephone housing of FIG. 1.

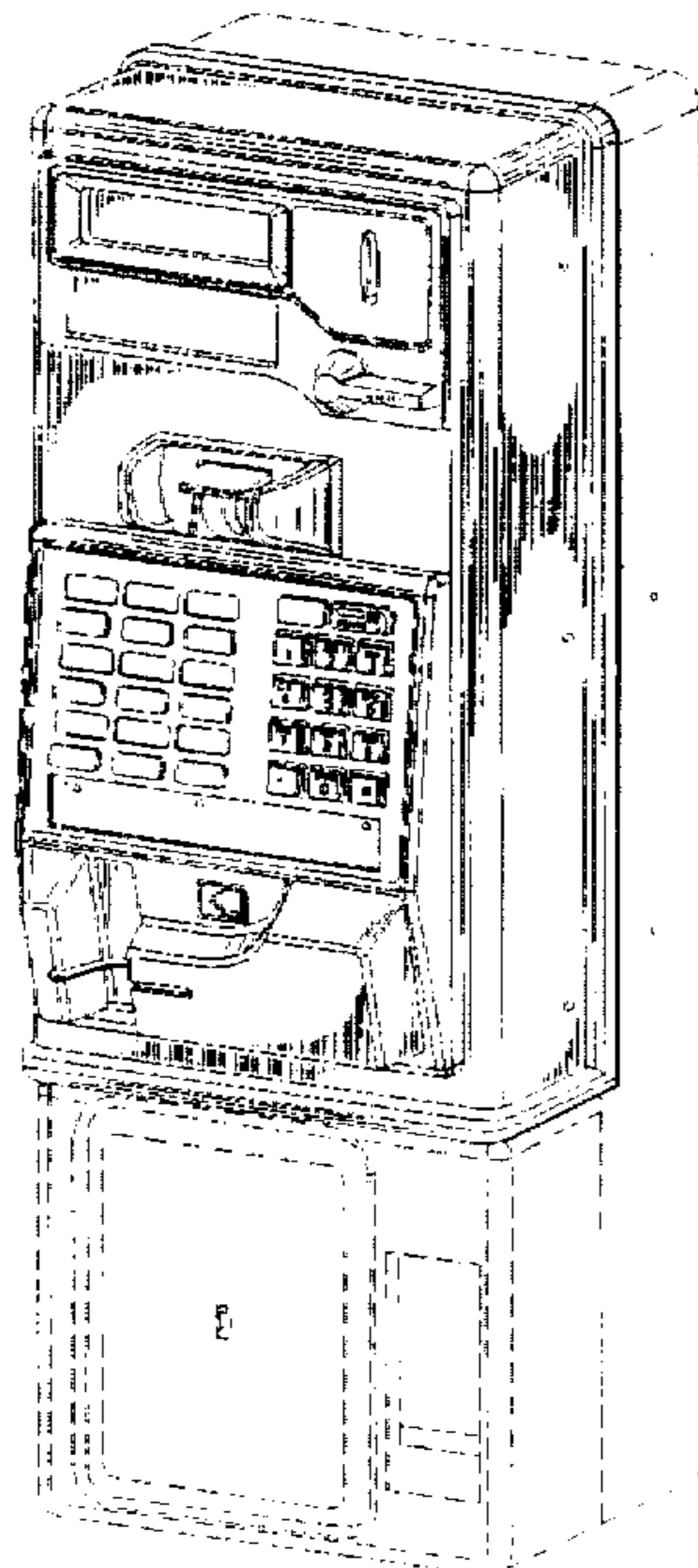
FIG. 5 is a rear elevation view of the pay telephone housing of FIG. 1.

FIG. 6 is a plan view of the pay telephone housing of FIG. 1; and,

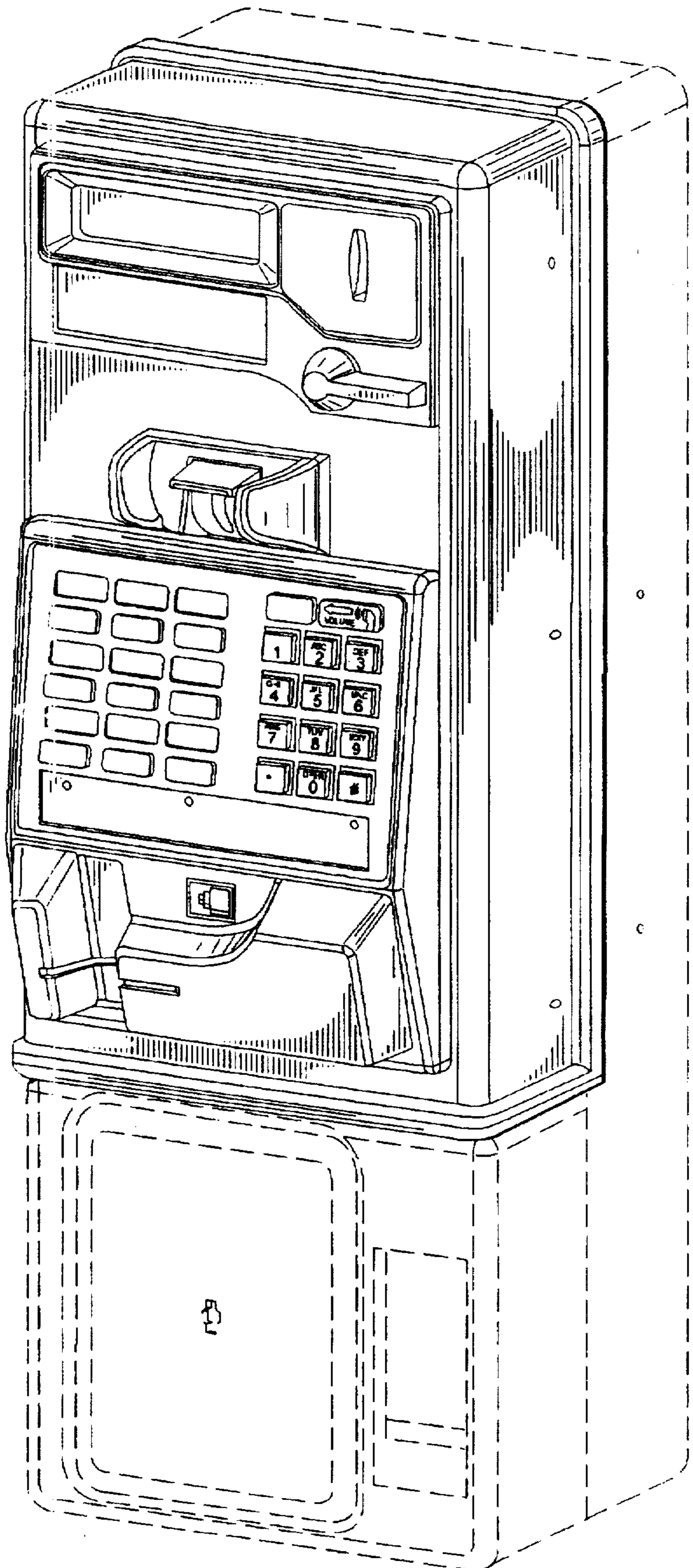
FIG. 7 is a bottom view of the pay telephone housing of FIG. 1.

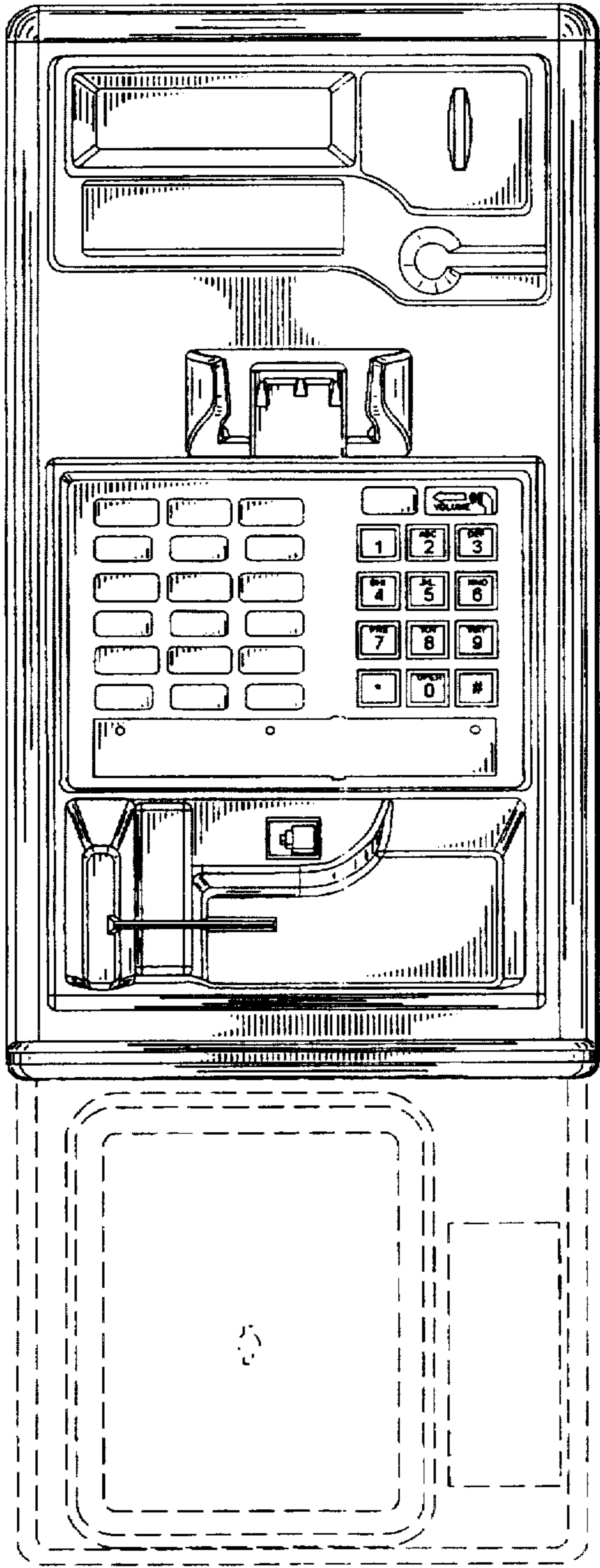
The broken line showings throughout the views are for illustrative purposes only and form no part of the claimed design.

**1 Claim, 4 Drawing Sheets**

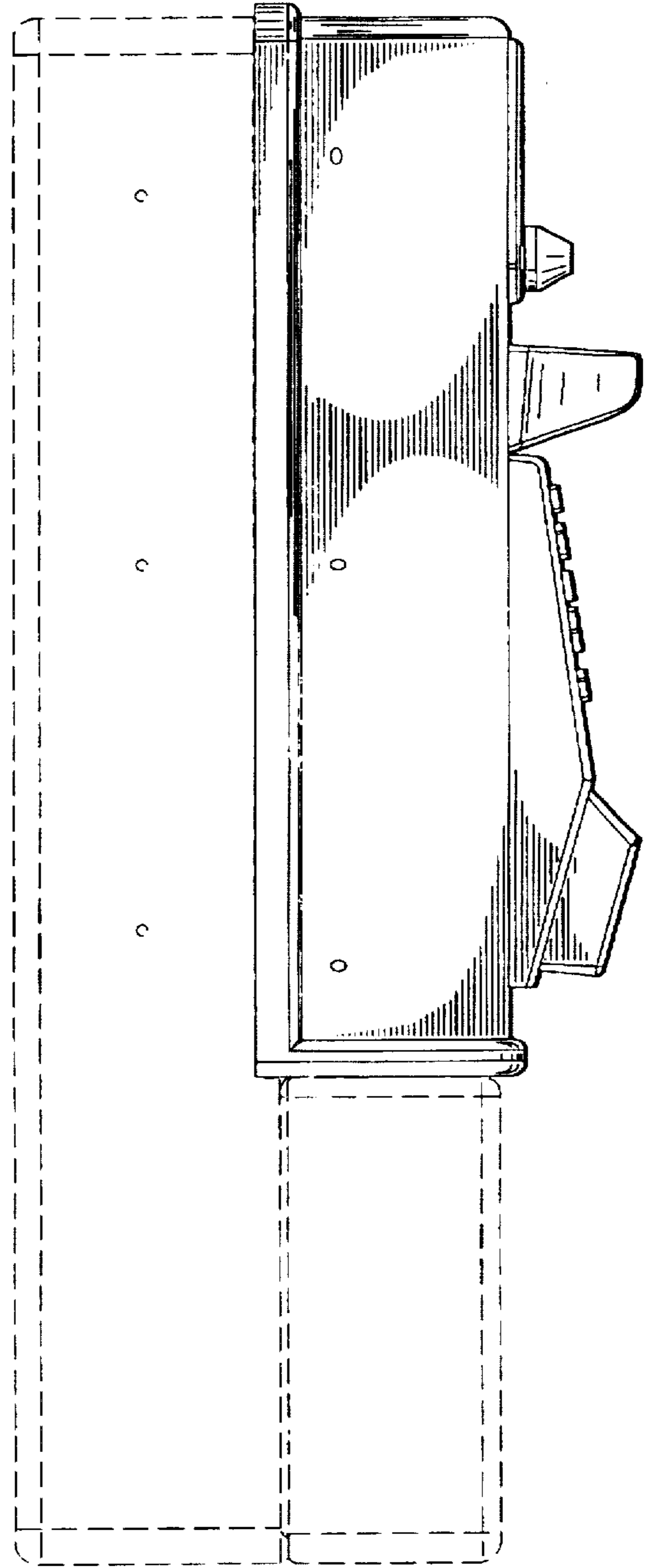


**FIG. 1**



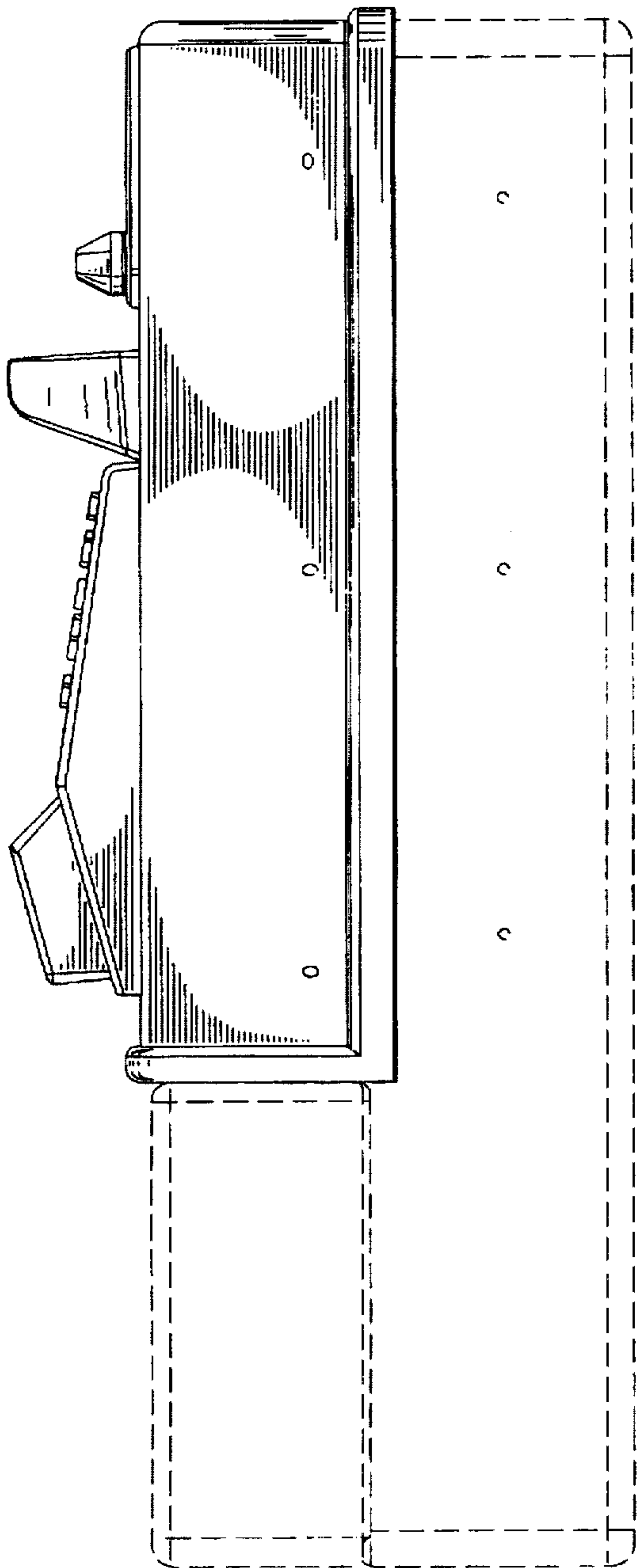


**FIG. 2**

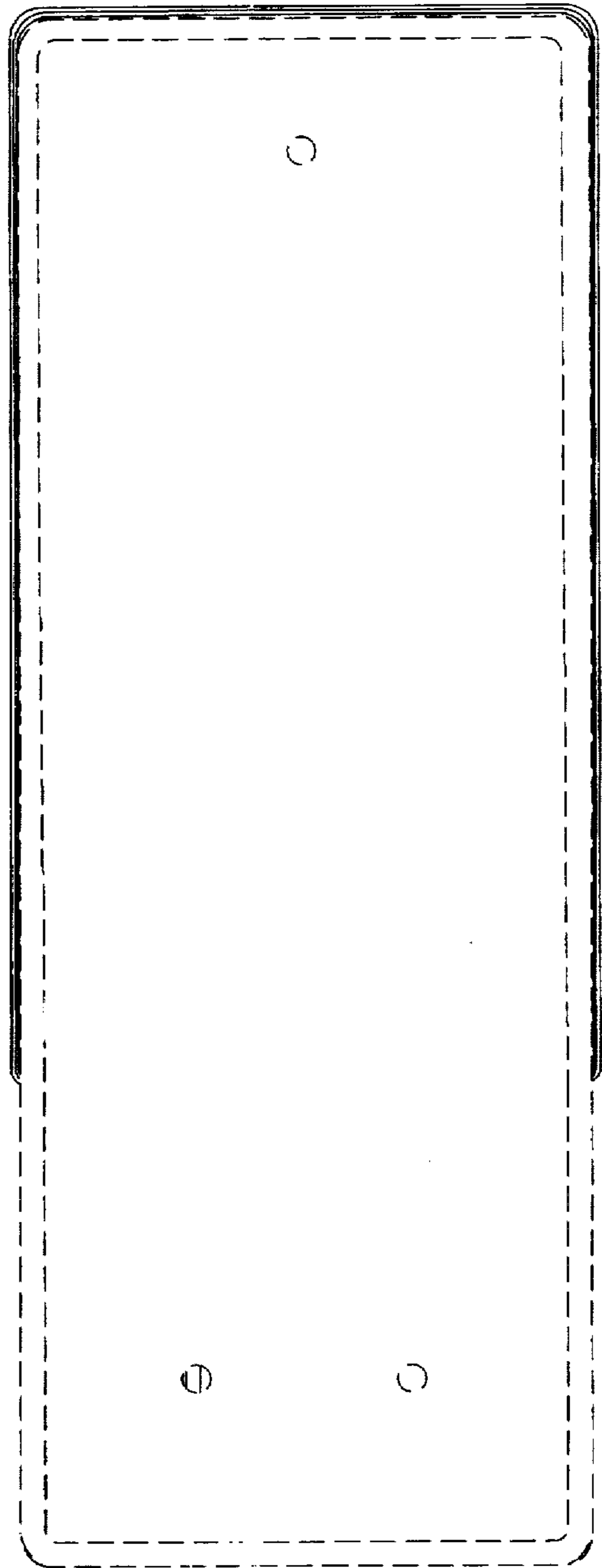


**FIG. 3**



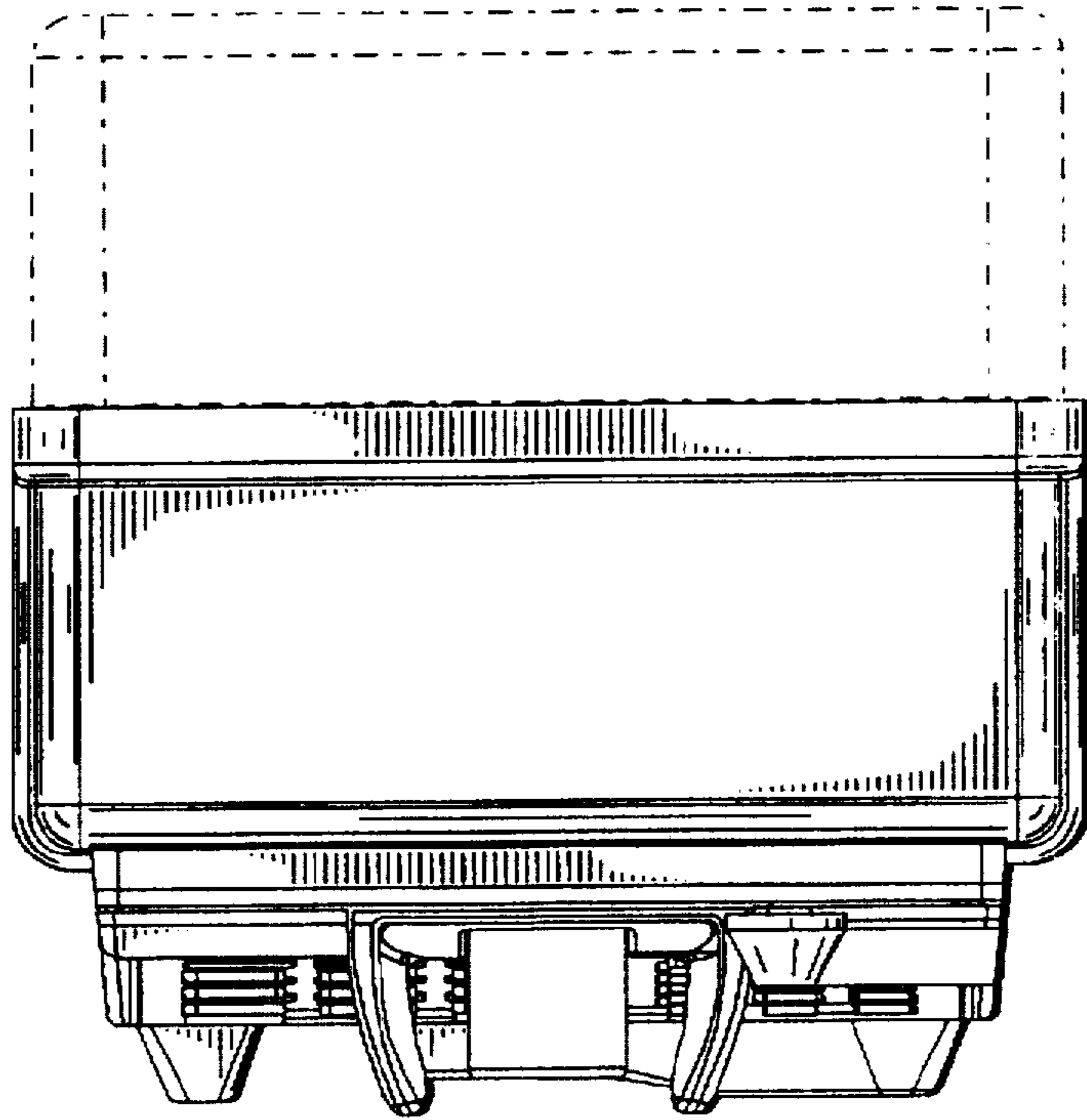


**FIG. 4**



**FIG. 5**

**FIG. 6**



**FIG. 7**

