

US00D408394S

# United States Patent [19]

Chin et al.

[11] Patent Number: **Des. 408,394**

[45] Date of Patent: **\*\*Apr. 20, 1999**

## [54] TWO-HANDED CONTROLLER FOR VIDEO GAMES AND SIMULATIONS

[75] Inventors: **Henry Y. Chin; I-Chiang Sun; Lutz Kucher; David J. Saylor**, all of Portland, Oreg.

[73] Assignee: **Thrustmaster, Inc.**, Hillsboro, Oreg.

[\*\*] Term: **14 Years**

[21] Appl. No.: **29/072,446**

[22] Filed: **Jun. 17, 1997**

[51] LOC (6) Cl. .... **21-01**

[52] U.S. Cl. .... **D14/117.1**

[58] Field of Search ..... D21/1, 13, 48; 273/148 B; 463/1, 30-47, 49; D14/217, 114, 117.1, 117.5, 117.8, 117.9; 345/156, 161, 163, 158, 169

## [56] References Cited

### U.S. PATENT DOCUMENTS

D. 347,864	6/1994	Duong	.....	D21/48
D. 363,320	10/1995	Barthelemy et al.	.....	D21/48
D. 373,149	8/1996	Kawaski	.....	D21/48
D. 377,198	1/1997	Oikawa et al.	.....	D21/48
D. 382,916	8/1997	Oikawa	.....	D21/48
5,207,426	5/1993	Inoue et al.	.....	463/36
5,296,871	3/1994	Paley	.....	345/163
5,506,605	4/1996	Paley	.....	345/158 X

## OTHER PUBLICATIONS

HongKong Enterprise, p. 512, Oct. 1992.

*Primary Examiner*—Prabhakar G. Deshmukh  
*Attorney, Agent, or Firm*—Marger Johnson & McCollom, P.C.

## [57] CLAIM

The ornamental design for a two-handed controller for video games and simulations, as shown and described.

## DESCRIPTION

FIG. 1 is a top, rear, left perspective view of a two-handed controller for video games and simulations, showing our new design;

FIG. 2 is a bottom, front, left perspective view thereof;

FIG. 3 is a top plan view thereof;

FIG. 4 is a bottom plan view thereof;

FIG. 5 is a rear elevational view thereof;

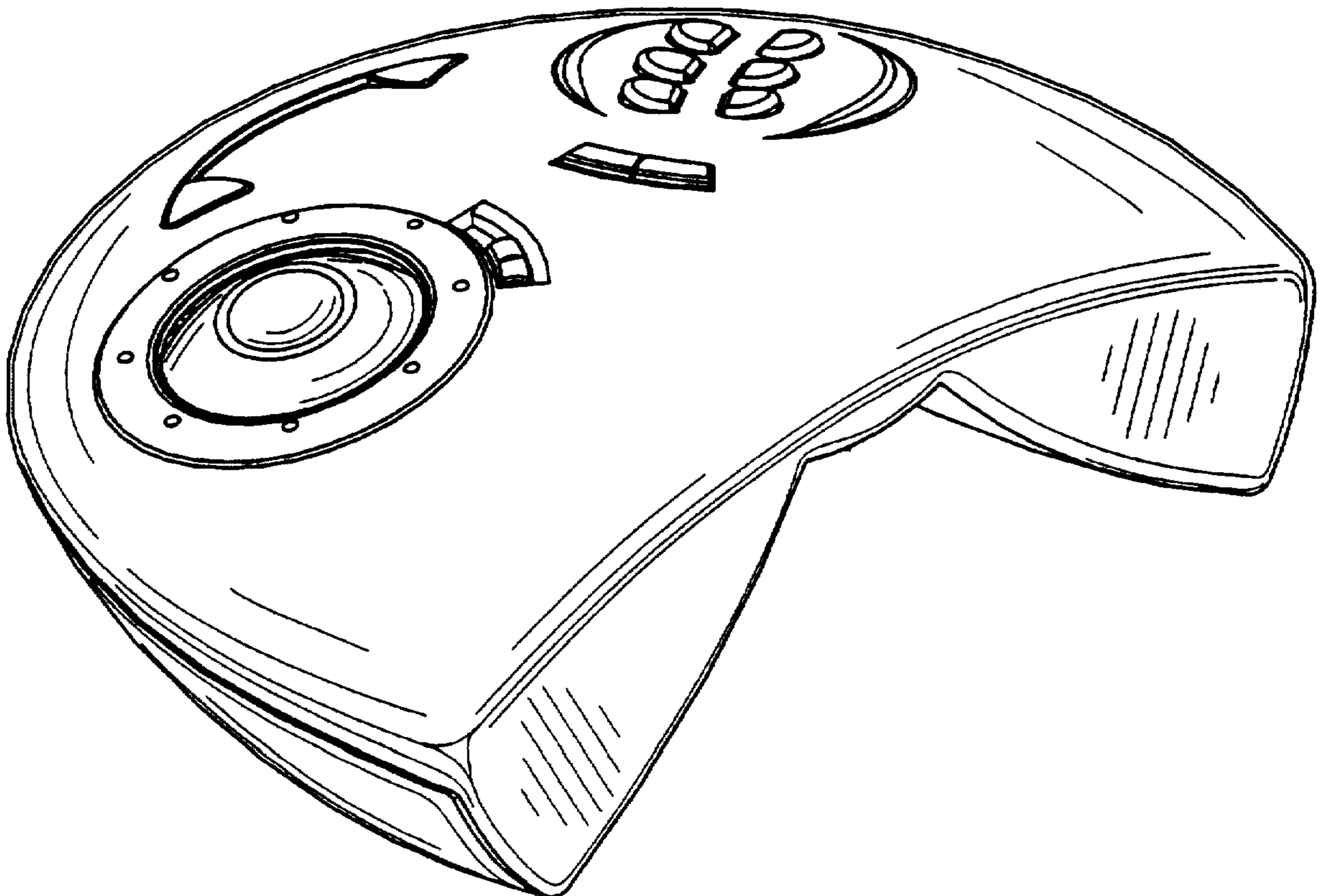
FIG. 6 is a front elevational view thereof;

FIG. 7 is a left side, elevational view thereof showing a data transmission cable; and,

FIG. 8 is a right side, elevational view thereof, showing a data transmission cable.

The broken line showing of data transmission cable in FIGS. 7 and 8 is for illustrative purpose only and forms no part of the claim.

**1 Claim, 3 Drawing Sheets**



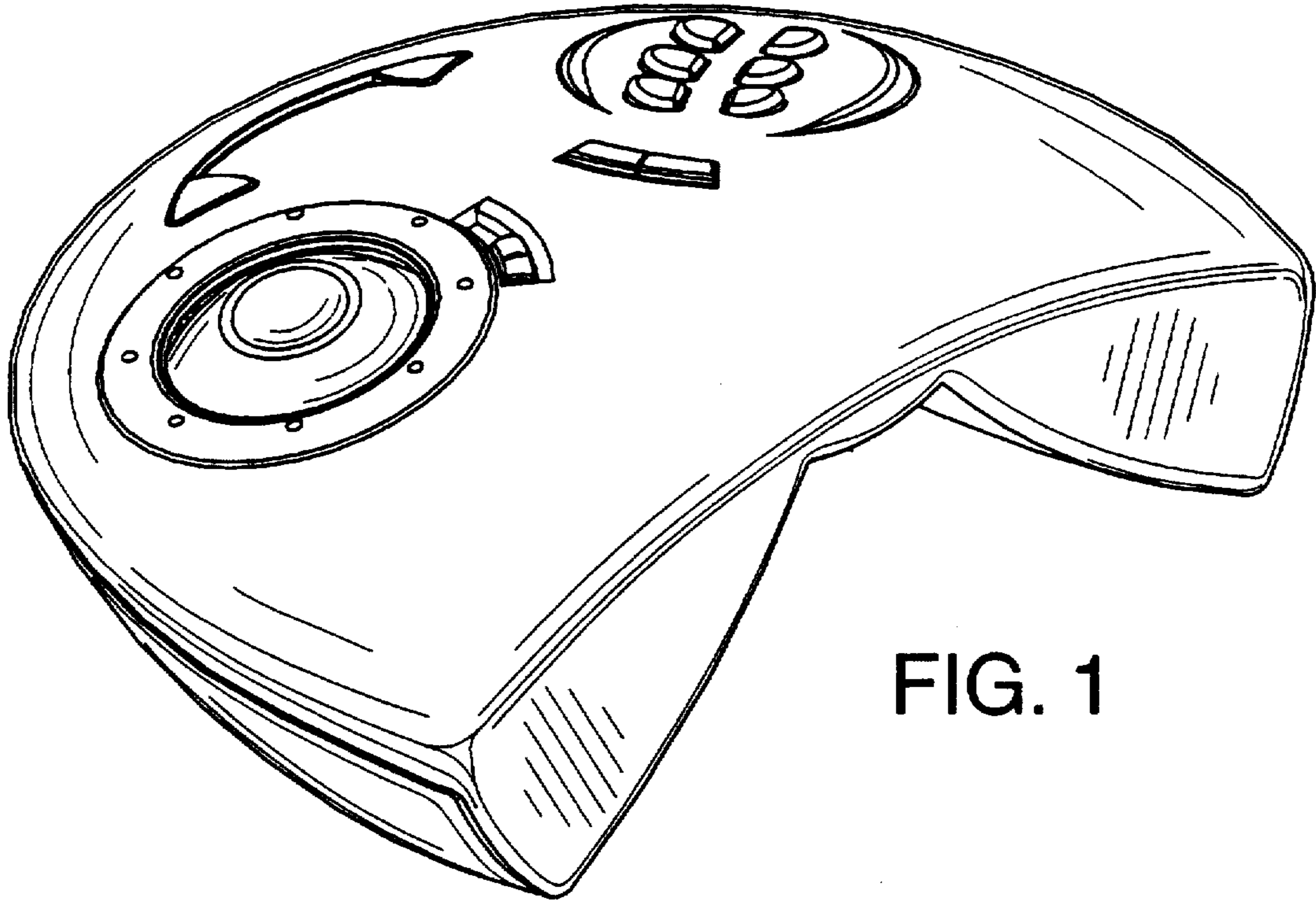


FIG. 1

FIG. 2

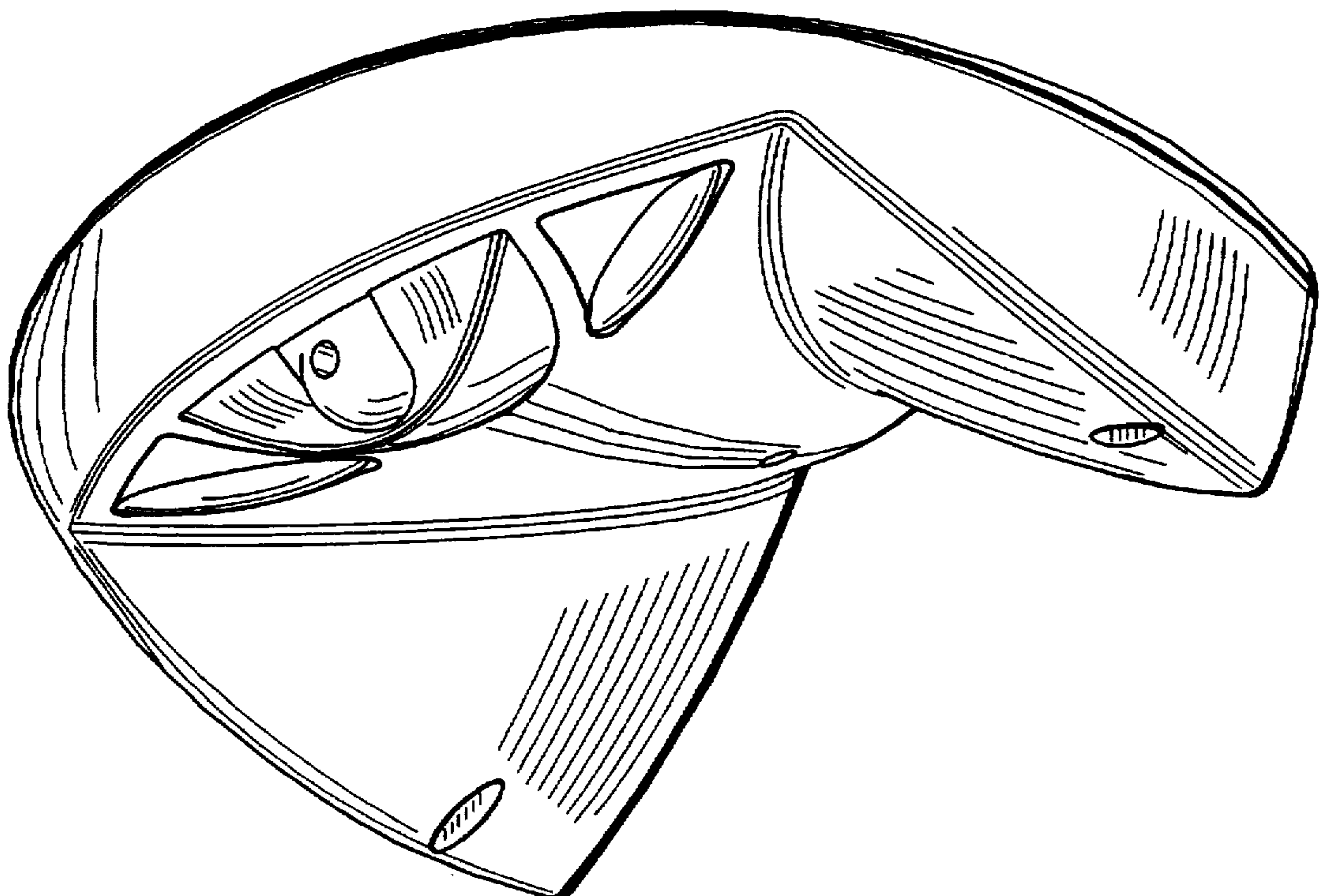


FIG. 3

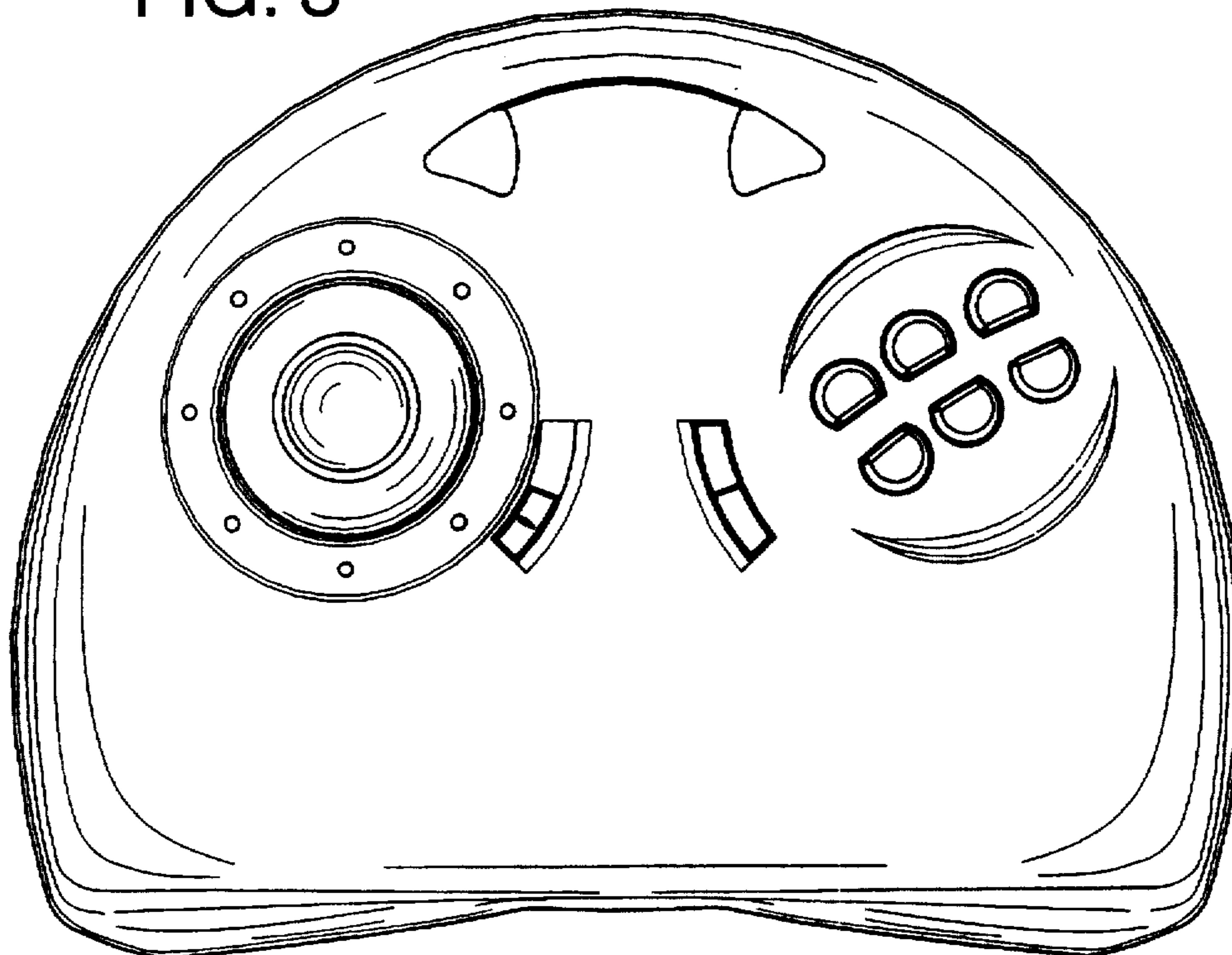


FIG. 4

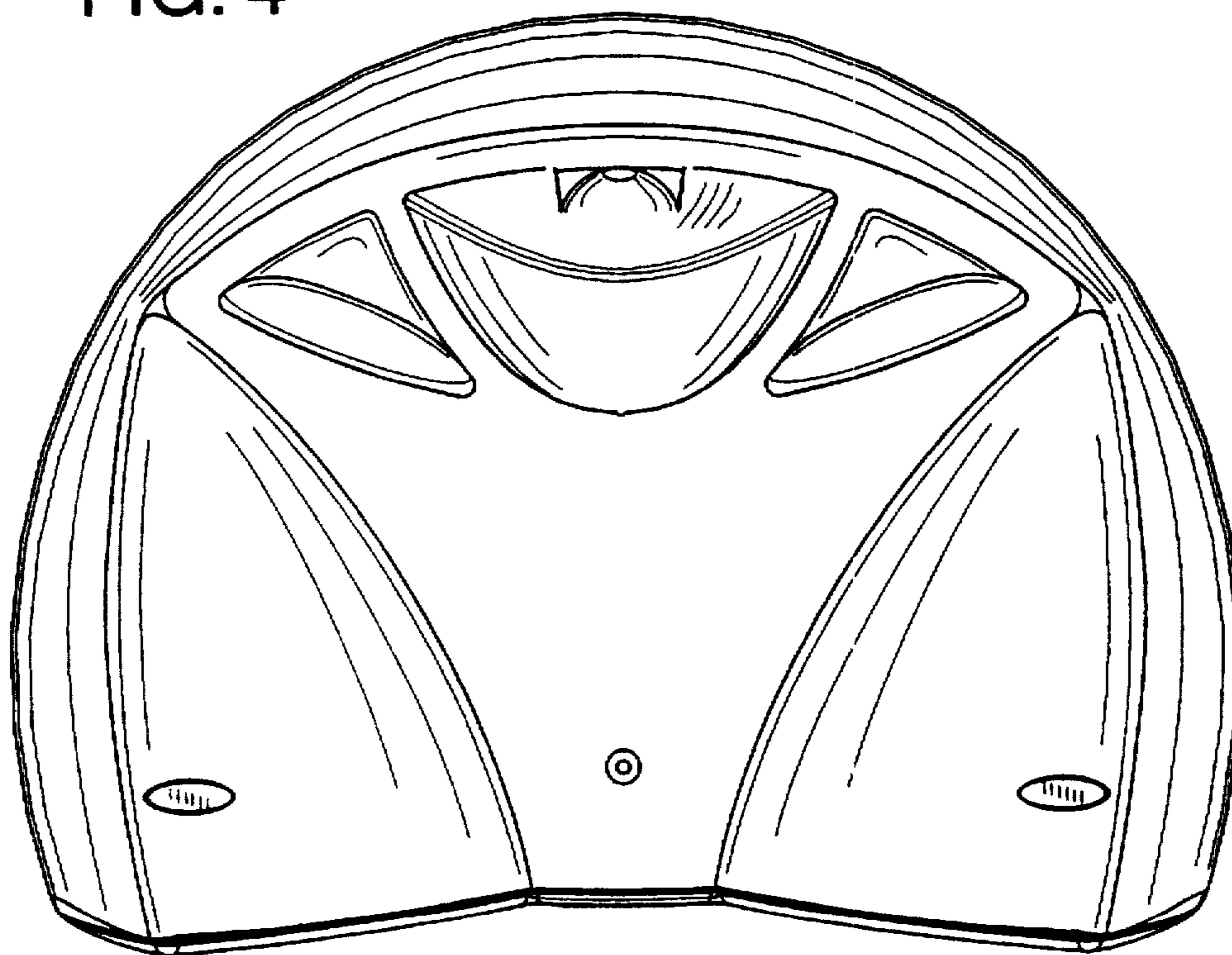


FIG. 5

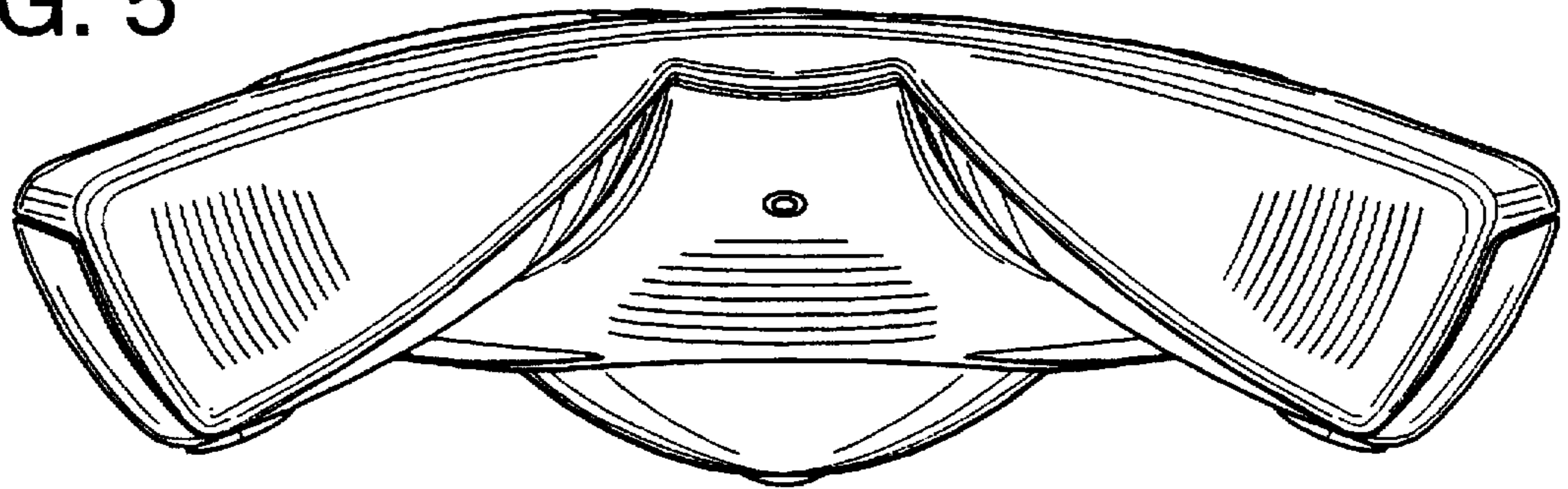


FIG. 6

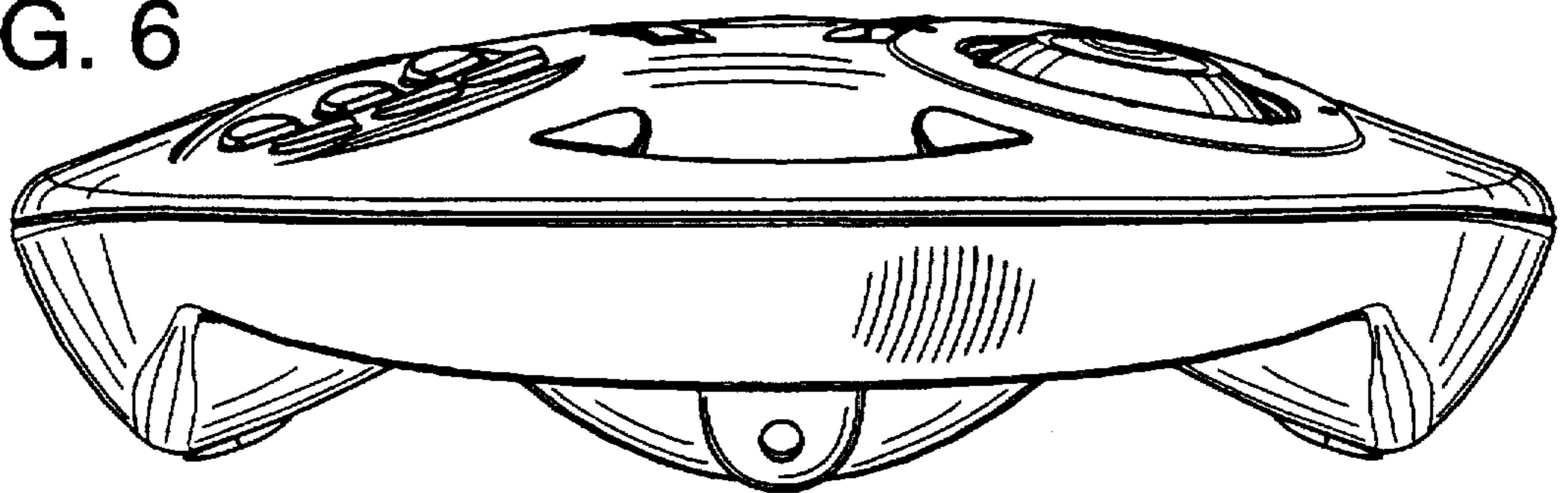


FIG. 7

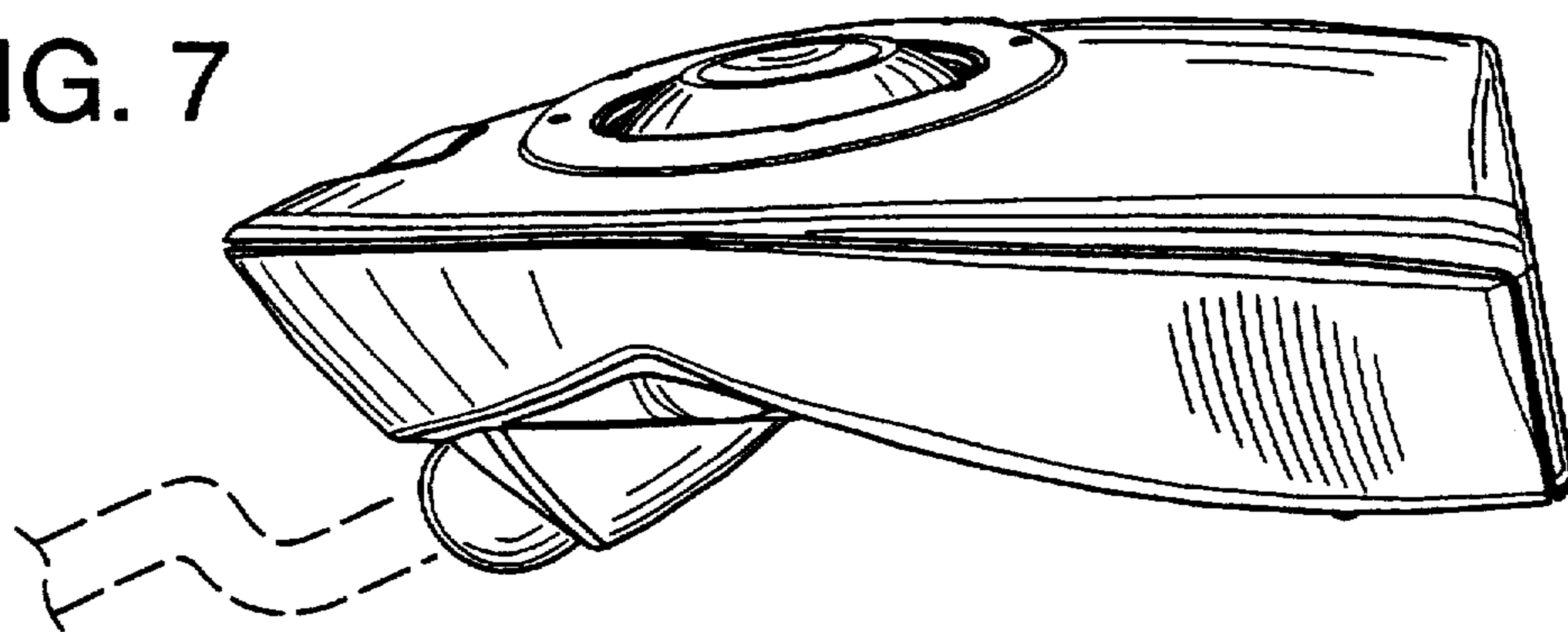


FIG. 8

