

US00D408392S

United States Patent [19]

Yeh et al.

[11] Patent Number: **Des. 408,392**

[45] Date of Patent: ****Apr. 20, 1999**

[54] **COMPUTER PANEL**

[75] Inventors: **Calvin Yeh; Shu-Yuan Chen**, both of Taipei, Taiwan

[73] Assignee: **Ever Case Technology, Inc.**, Taipei, Taiwan

[**] Term: **14 Years**

[21] Appl. No.: **29/085,592**

[22] Filed: **Mar. 25, 1998**

[30] **Foreign Application Priority Data**

Nov. 27, 1997 [TW] Taiwan 86310189

[51] LOC (6) Cl. **14-02**

[52] U.S. Cl. **D14/115**

[58] Field of Search D14/100, 102, D14/107-109, 115, 257, 258, 137, 156, 217; D13/162, 184, 199, 164, 177; D10/103; 312/223.2; 361/600, 622, 724-728

[56] **References Cited**

U.S. PATENT DOCUMENTS

D. 321,684 11/1991 Kline et al. D14/115

D. 363,477 10/1995 Tinsley, Jr. et al. D14/115

Primary Examiner—Freda Nunn
Attorney, Agent, or Firm—Alston & Bird LLP

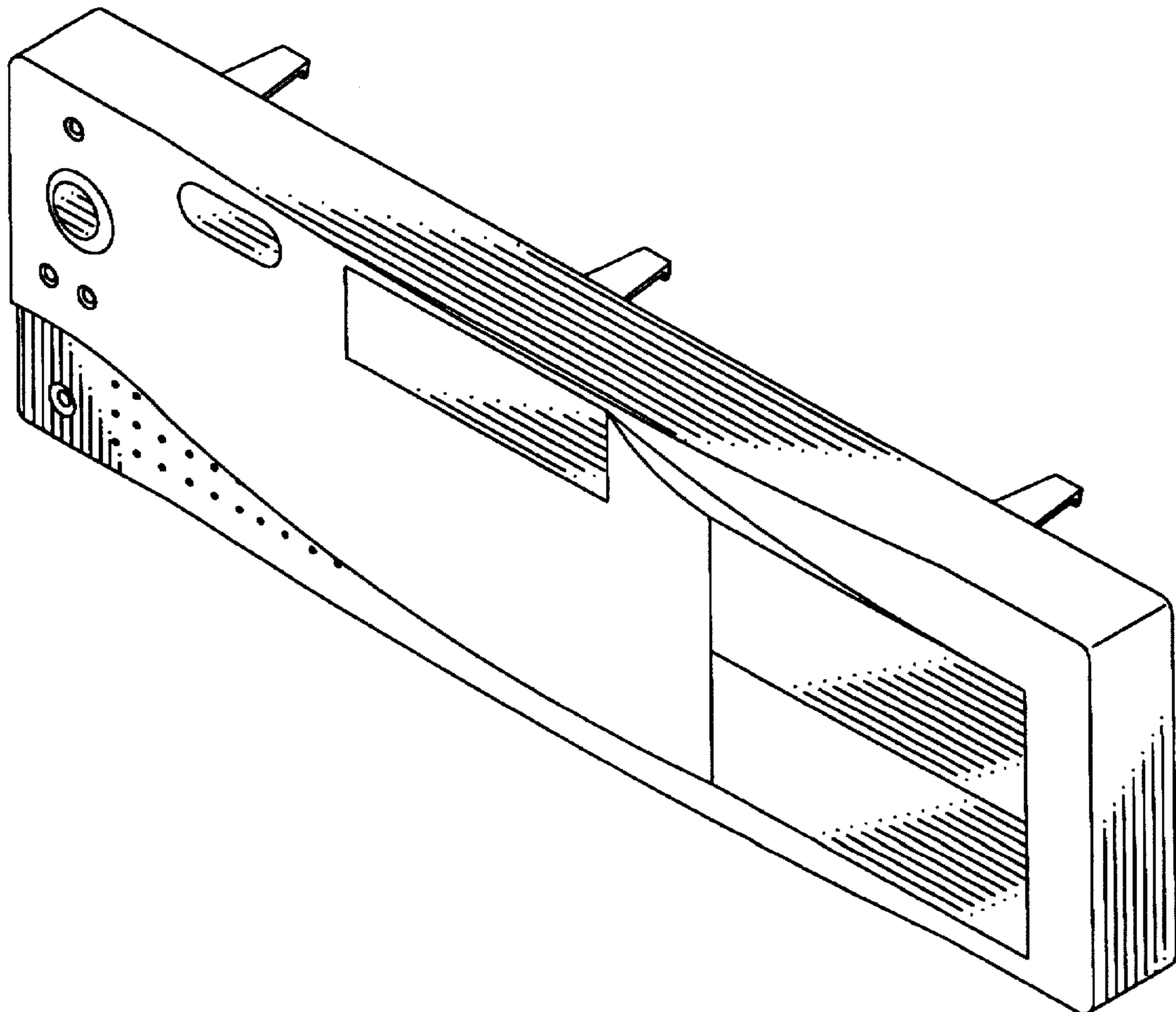
[57] **CLAIM**

The ornamental design for a computer panel, as shown and described.

DESCRIPTION

FIG. 1 is a perspective view showing a preferred embodiment of the computer panel of our new design;
FIG. 2 is a top view of the preferred embodiment;
FIG. 3 is a bottom view of the preferred embodiment;
FIG. 4 is a left side view of the preferred embodiment;
FIG. 5 is a right side view of the preferred embodiment;
FIG. 6 is a front elevational view of the preferred embodiment; and,
FIG. 7 is a rear view of the preferred embodiment.

1 Claim, 7 Drawing Sheets



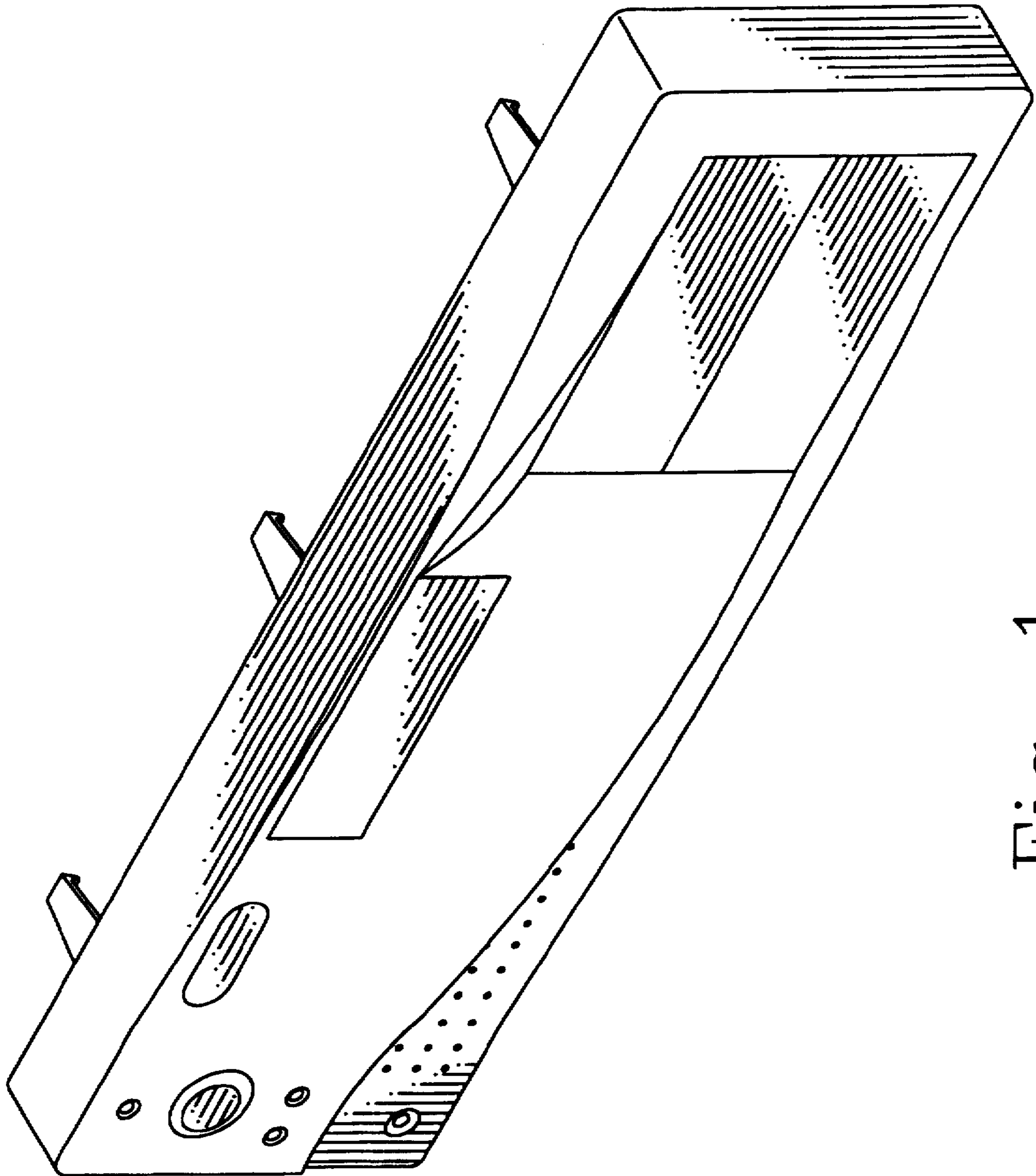


Fig. 1

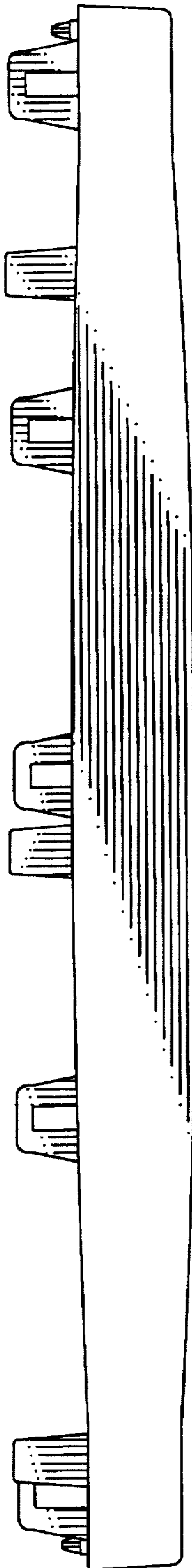


Fig. 2

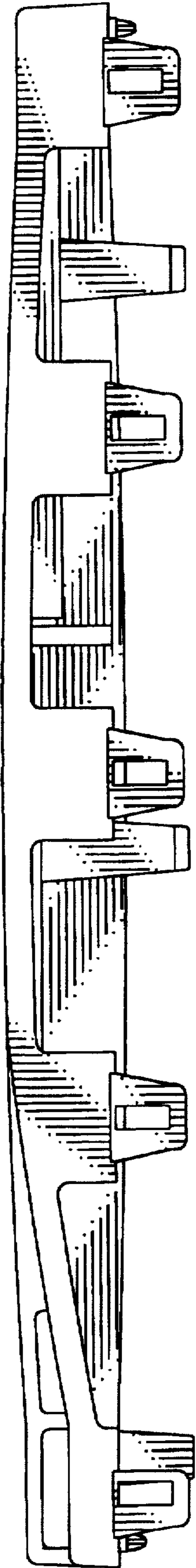


Fig. 3

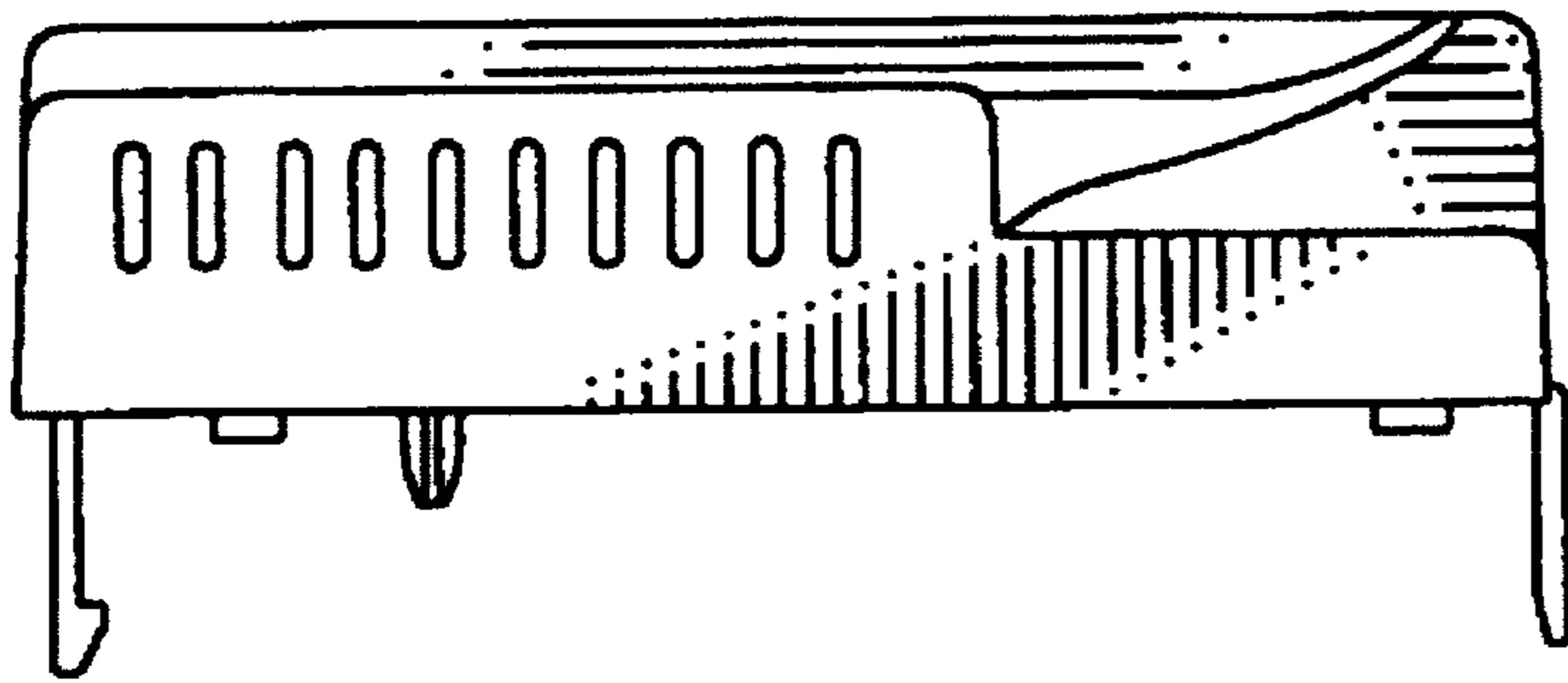


Fig. 4

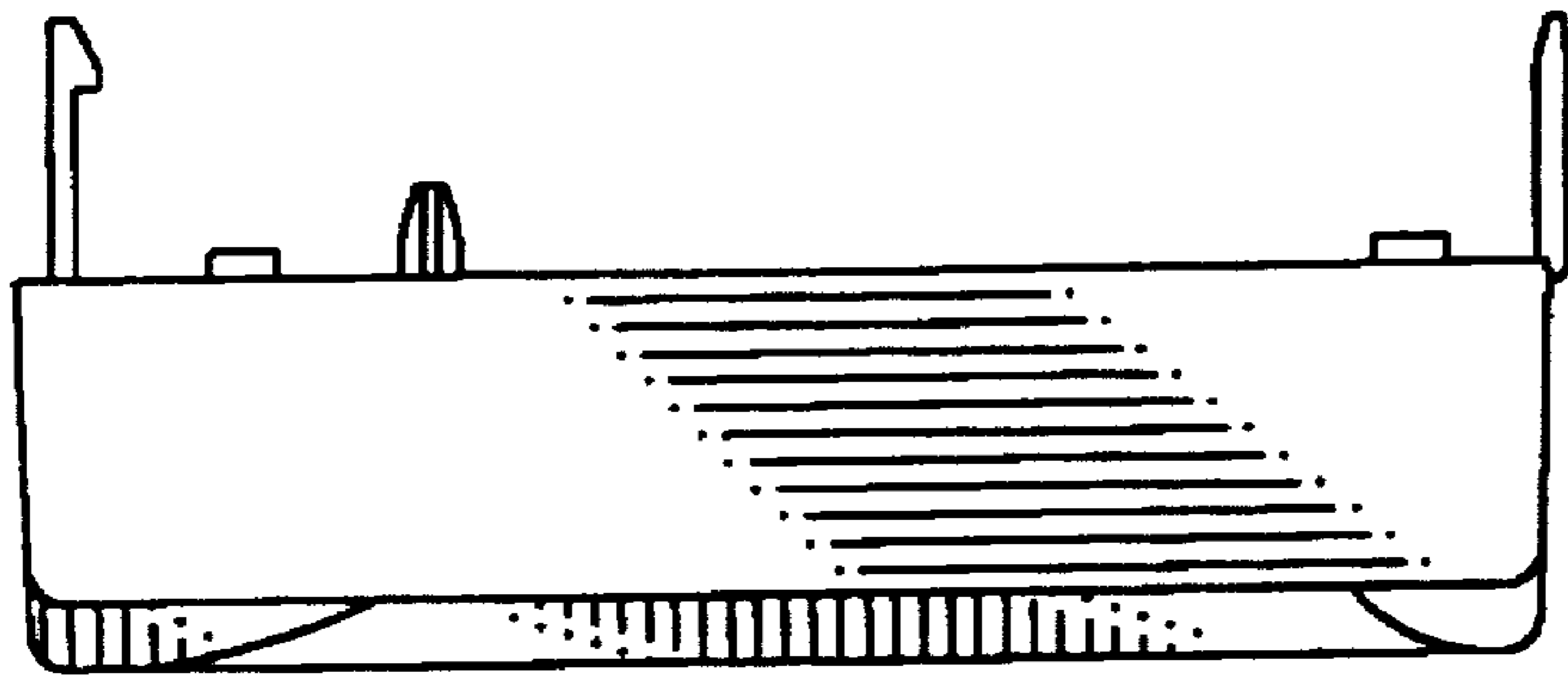


Fig. 5

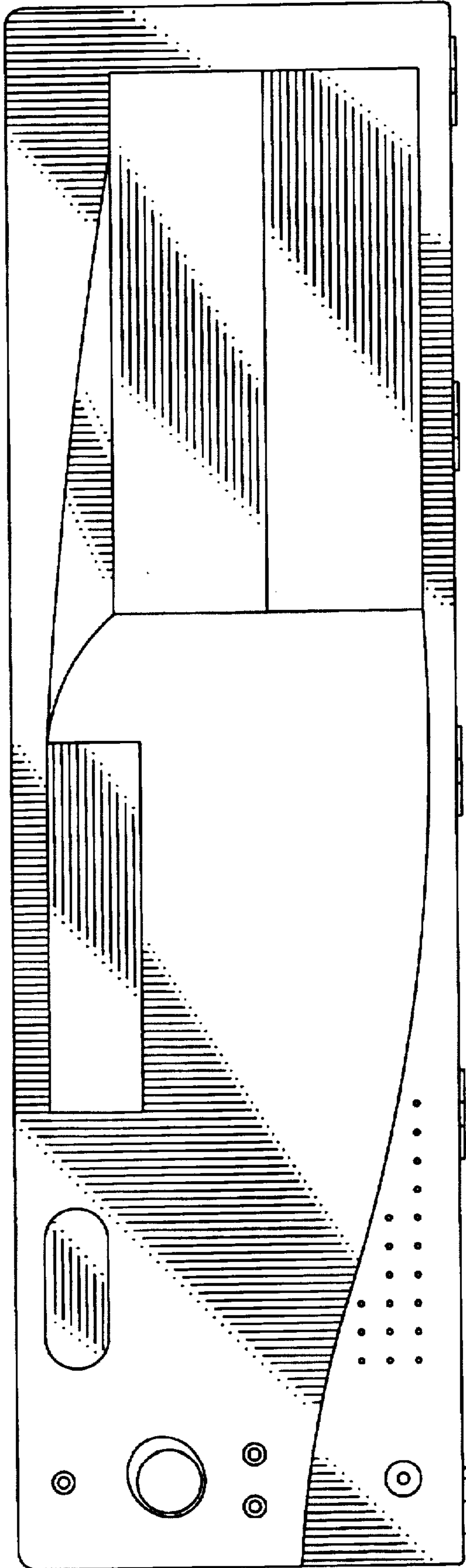


Fig. 6

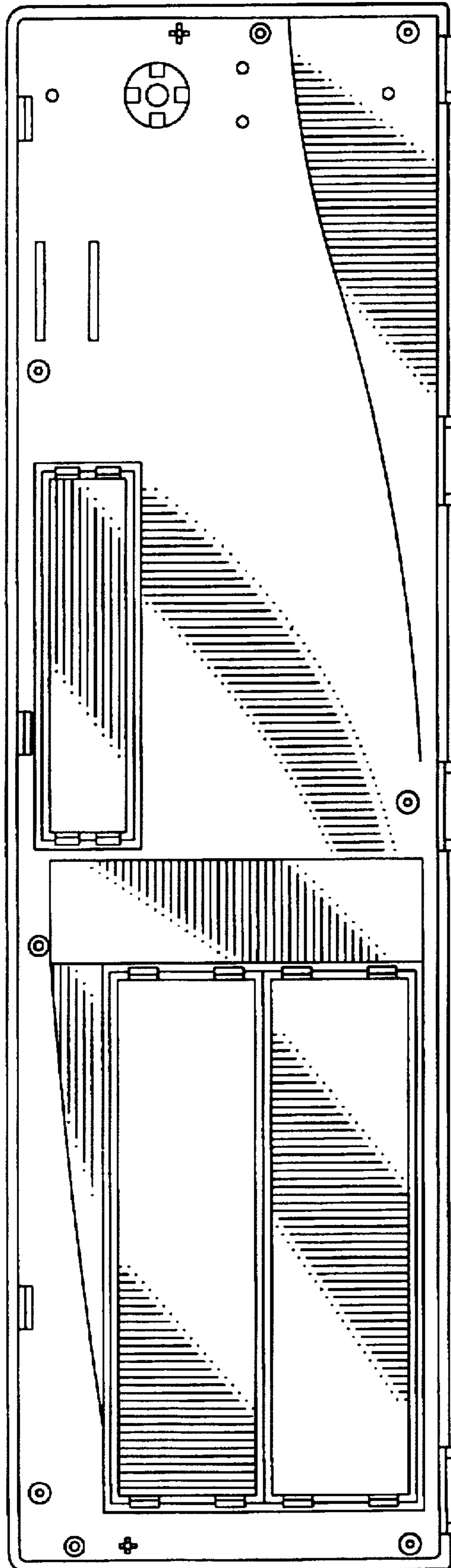


Fig. 7