



US00D408389S

United States Patent [19]

Newton et al.

[11] Patent Number: **Des. 408,389**

[45] Date of Patent: ****Apr. 20, 1999**

[54] **ICON FOR A COMPUTER SCREEN**

[75] Inventors: **James W. Newton, Belmont; Larry M. Hoffman, Mountain View, both of Calif.**

[73] Assignee: **Sun Microsystems, Inc., Palo Alto, Calif.**

[**] Term: **14 Years**

[21] Appl. No.: **29/075,427**

[22] Filed: **Aug. 18, 1997**

Related U.S. Application Data

[62] Division of application No. 29/052,185, Mar. 25, 1996, Pat. No. Des. 389,471.

[51] **LOC (6) Cl.** **14-02**

[52] **U.S. Cl.** **D14/114.9**

[58] **Field of Search** D14/114, 114.1-114.9; D18/24, 27; D10/11; D19/6; 345/326, 339-40, 347-57; D21/324-33

[56] References Cited

U.S. PATENT DOCUMENTS

D. 386,477 11/1997 Thomas D14/114.3

D. 388,419	12/1997	Polson et al.	D24/114.4
D. 388,425	12/1997	Newton et al.	D14/114.9
D. 393,845	4/1998	Wanishi et al.	D14/114.3
D. 396,456	7/1998	Bier	D14/114.3
D. 396,709	8/1998	Bier	D14/114.3
D. 397,101	8/1998	Bier	D14/114.3
D. 398,001	9/1998	Bohnert et al.	D14/114.3

Primary Examiner—M. H. Tung

Attorney, Agent, or Firm—Erwin J. Basinski; Patrick J. S. Inouye; Kenneth Olsen

[57] CLAIM

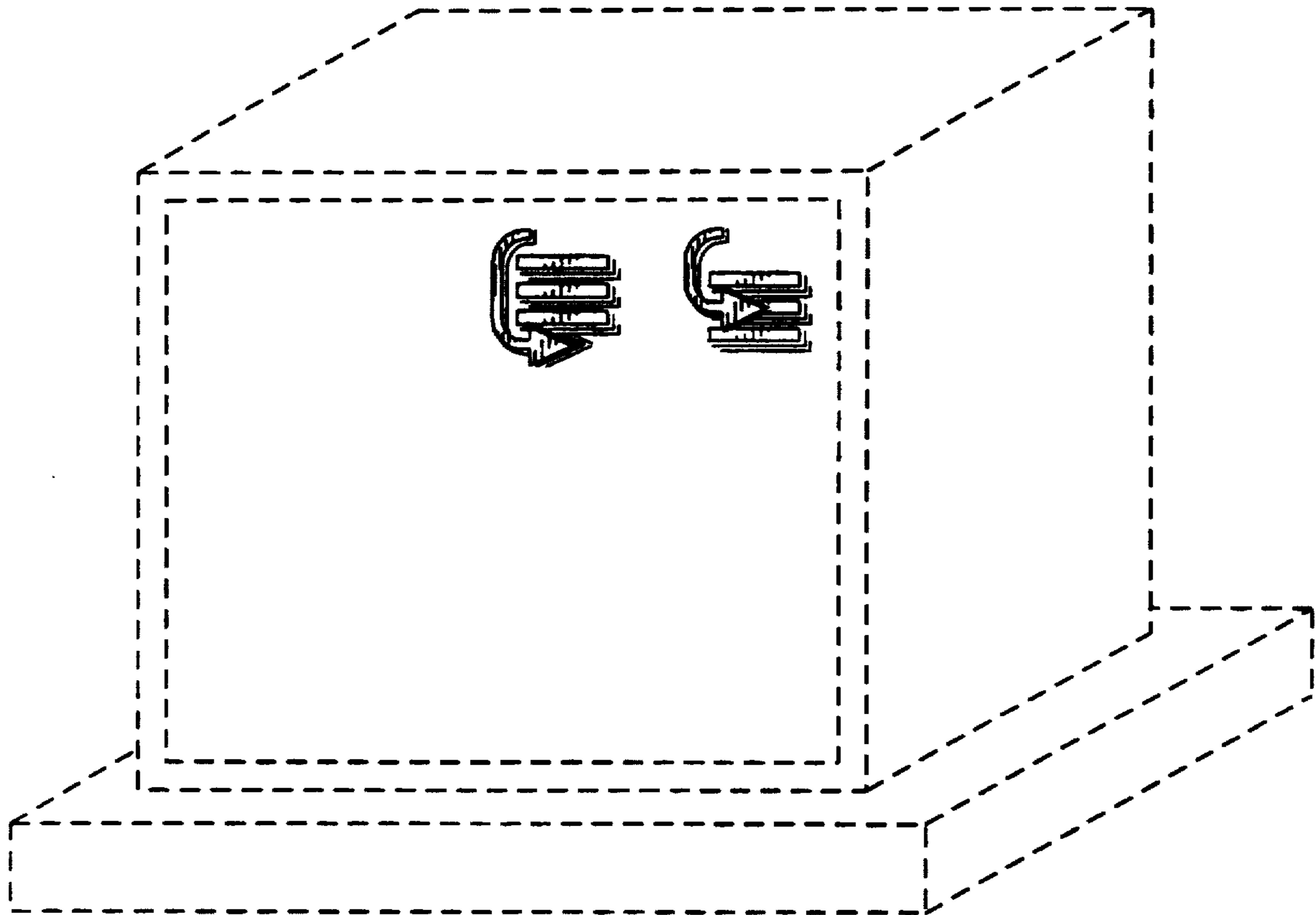
The ornamental design for a icon for a computer screen, as shown and described.

DESCRIPTION

FIG. 1 is a front perspective view of an icon for a computer screen comprising the present invention, the broken line drawing of a computer screen is for illustrative purposes only and forms no part of the claimed design; and,

FIG. 2 is a front view thereof, on an enlarged scale, the broken line drawing of a computer screen is for illustrative purposes only and forms no part of the claimed design.

1 Claim, 2 Drawing Sheets



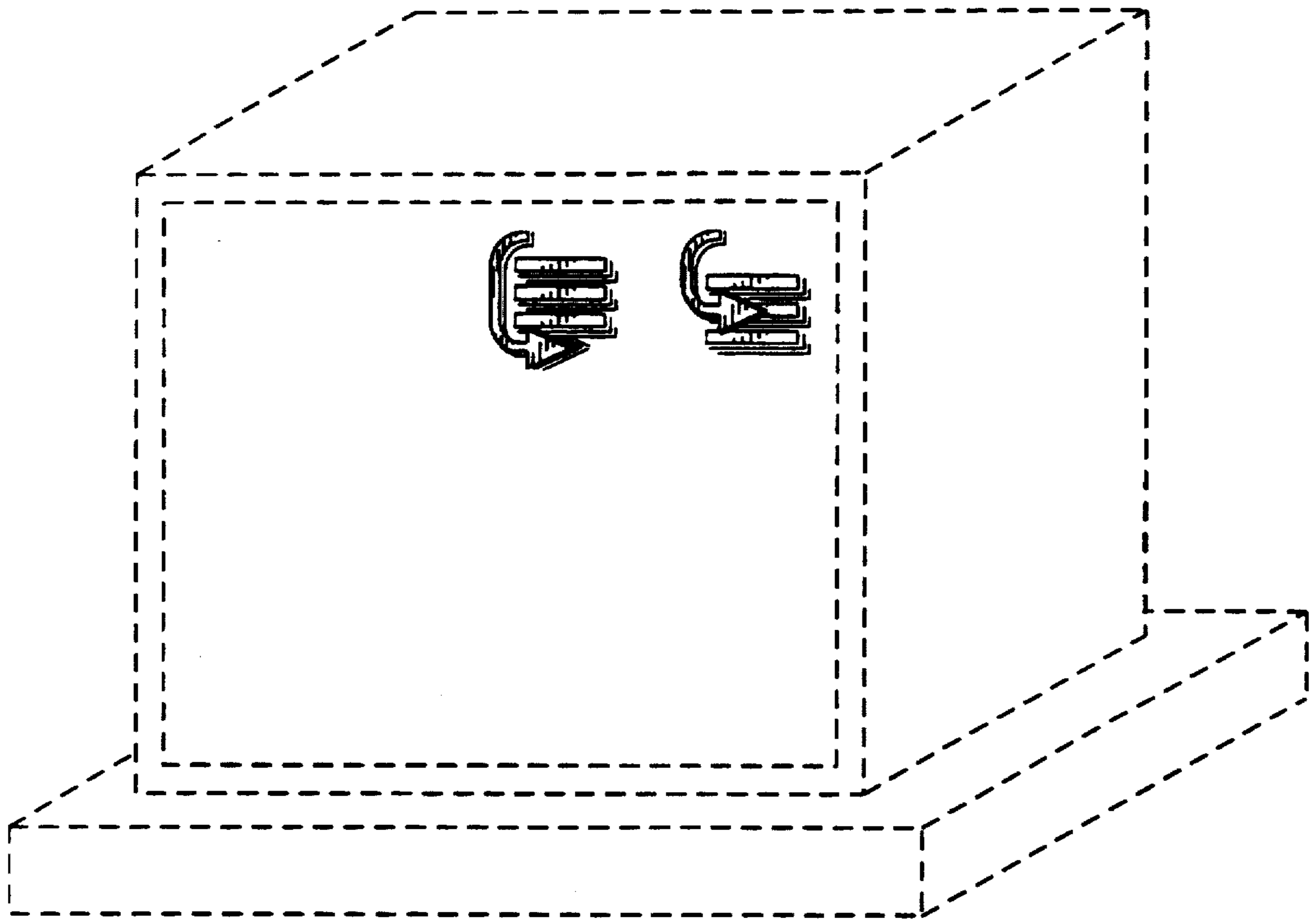


FIG. 1

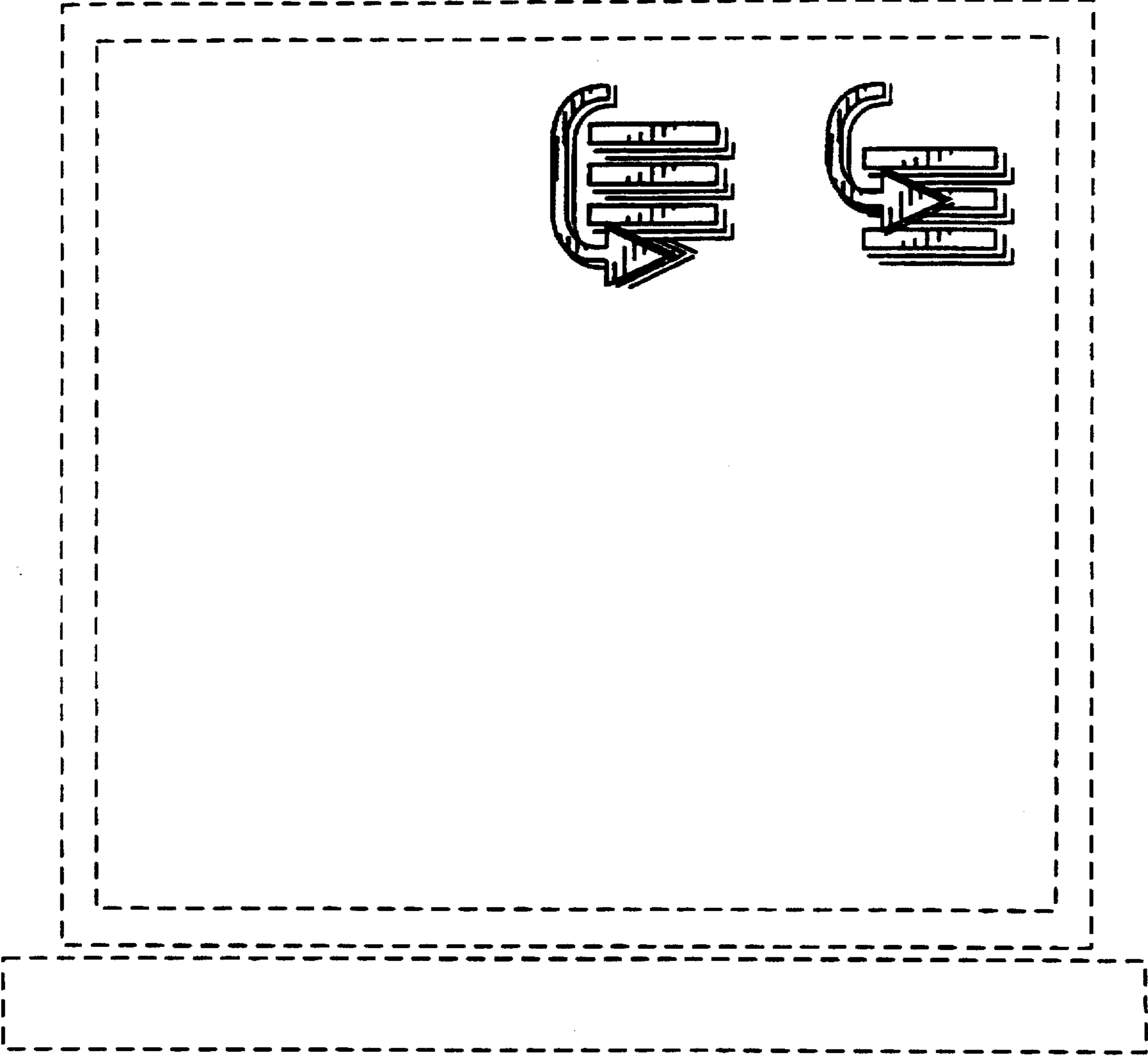


FIG. 2