



US00D408388S

United States Patent [19]

Wiggins

[11] Patent Number: Des. 408,388

[45] Date of Patent: **Apr. 20, 1999

[54] **COMPUTER KEYBOARD LAP TRAY**

[76] Inventor: **Charles D. Wiggins**, 615 N. Broadway,
P.O. Box 1328, Cape Girardeau, Mo.
63702-1328

[**] Term: **14 Years**

[21] Appl. No.: **29/086,274**

[22] Filed: **Apr. 9, 1998**

[51] LOC (6) Cl. **14-02**

[52] U.S. Cl. **D14/114**

[58] Field of Search D14/114, 100;
D19/86, 92, 95; D6/406, 420, 509-11, 436,
430; 211/153; 248/917-24

[56] **References Cited**

U.S. PATENT DOCUMENTS

D. 287,678	1/1987	Hatcher et al.	D14/114 X
D. 288,097	2/1987	Harter et al.	D14/114
D. 330,892	11/1992	Hassel et al.	D14/114
D. 345,268	3/1994	Pate	D6/511
D. 350,536	9/1994	McKnight et al.	D14/114
D. 357,910	5/1995	Newhouse	D14/114
D. 359,036	6/1995	Mandel	D14/114

D. 359,038	6/1995	Ghassemian	D14/114
D. 367,387	2/1996	Sweere	D14/114 X
D. 372,903	8/1996	Juster	D14/114
5,228,655	7/1993	Garcia et al. .	

Primary Examiner—M. H. Tung
Attorney, Agent, or Firm—Howell & Haferkamp, L.C.

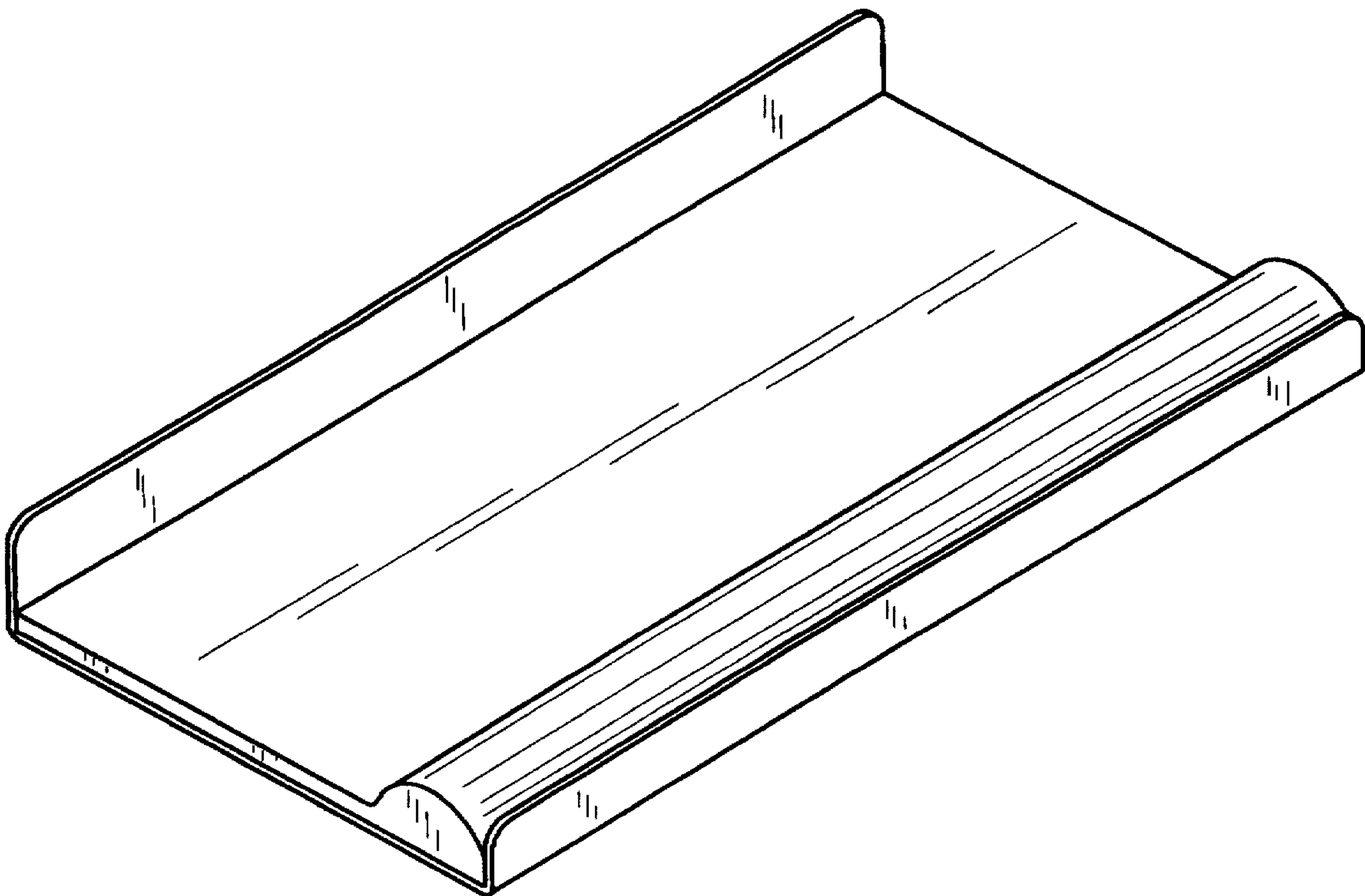
[57] **CLAIM**

The ornamental design for a computer keyboard lap tray, as shown and described.

DESCRIPTION

FIG. 1 is a perspective view of a computer keyboard lap tray showing my new design;
FIG. 2 is an end elevational view of the computer keyboard lap tray of FIG. 1, the opposite end is a mirror image;
FIG. 3 is a front elevational view of the computer keyboard lap tray of FIG. 1;
FIG. 4 is a rear elevational view of the computer keyboard lap tray of FIG. 1;
FIG. 5 is a top plan view of the computer keyboard lap tray of FIG. 1; and,
FIG. 6 is a bottom plan view of the computer keyboard lap tray of FIG. 1.

1 Claim, 2 Drawing Sheets



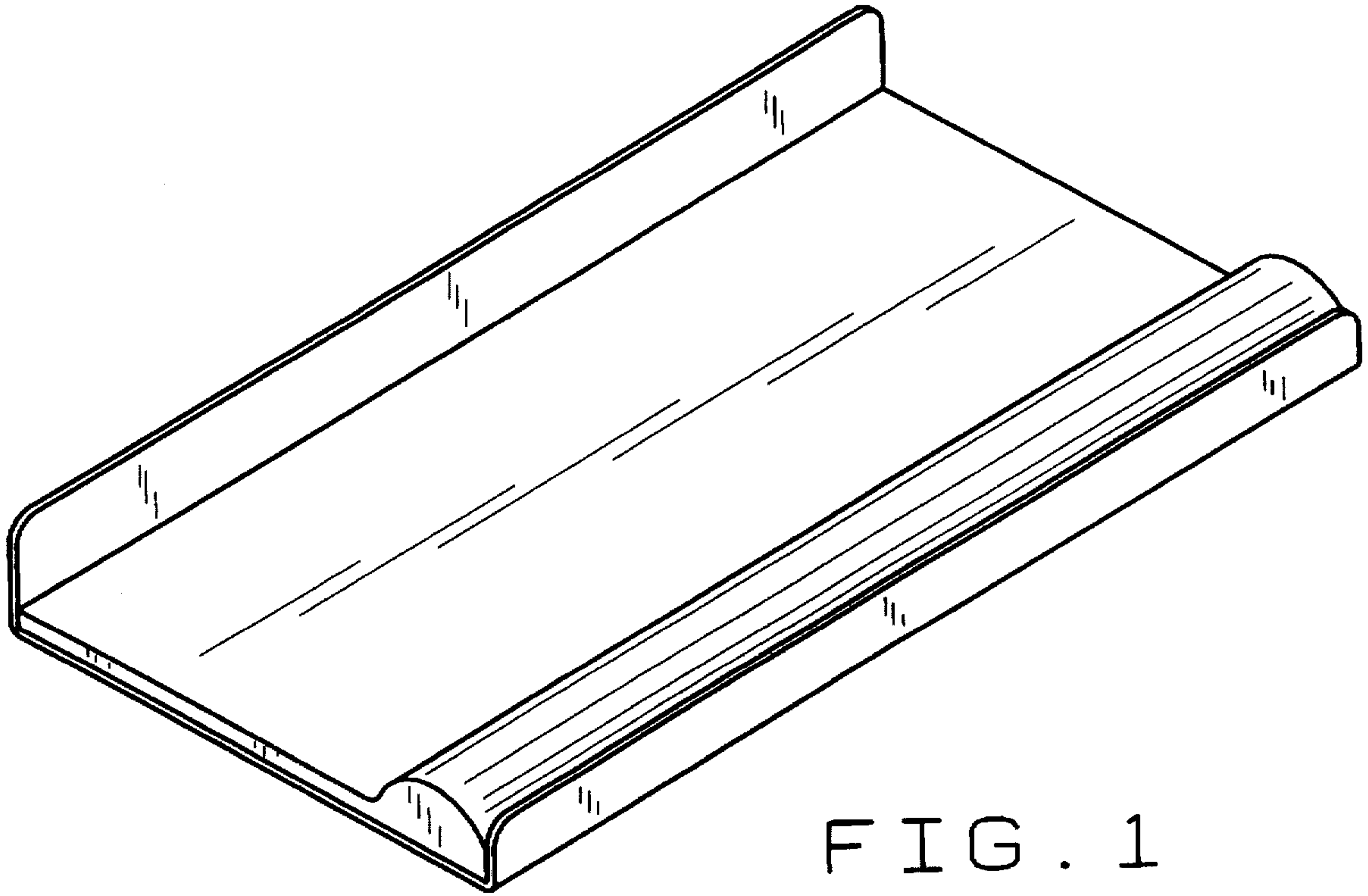


FIG. 1

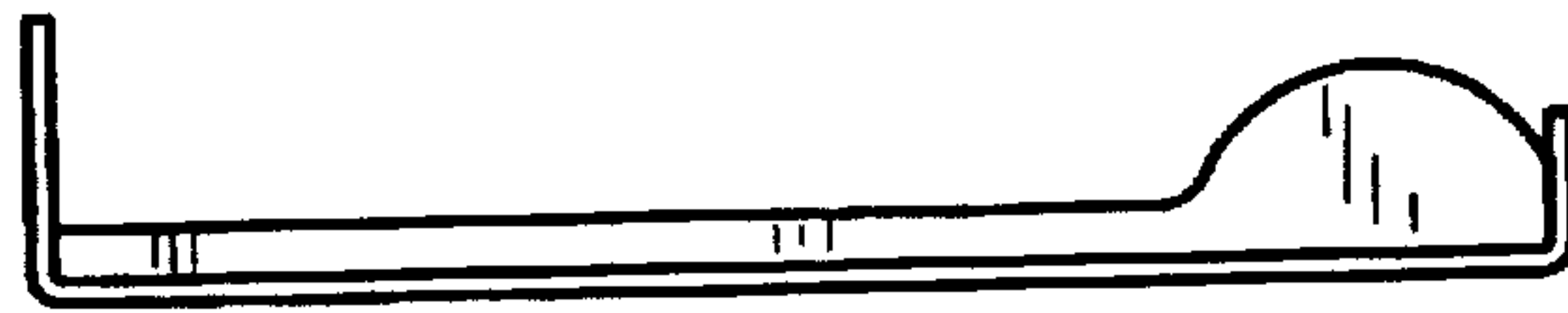


FIG. 2

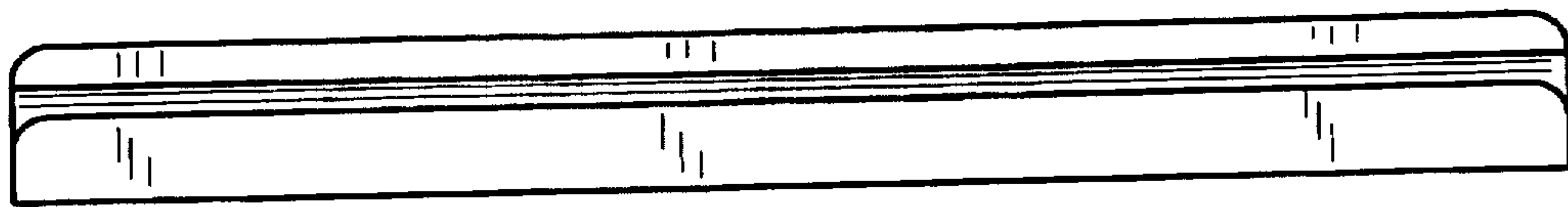


FIG. 3

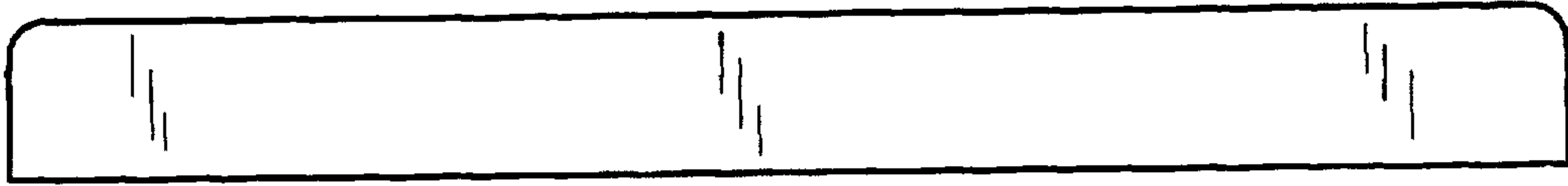


FIG. 4

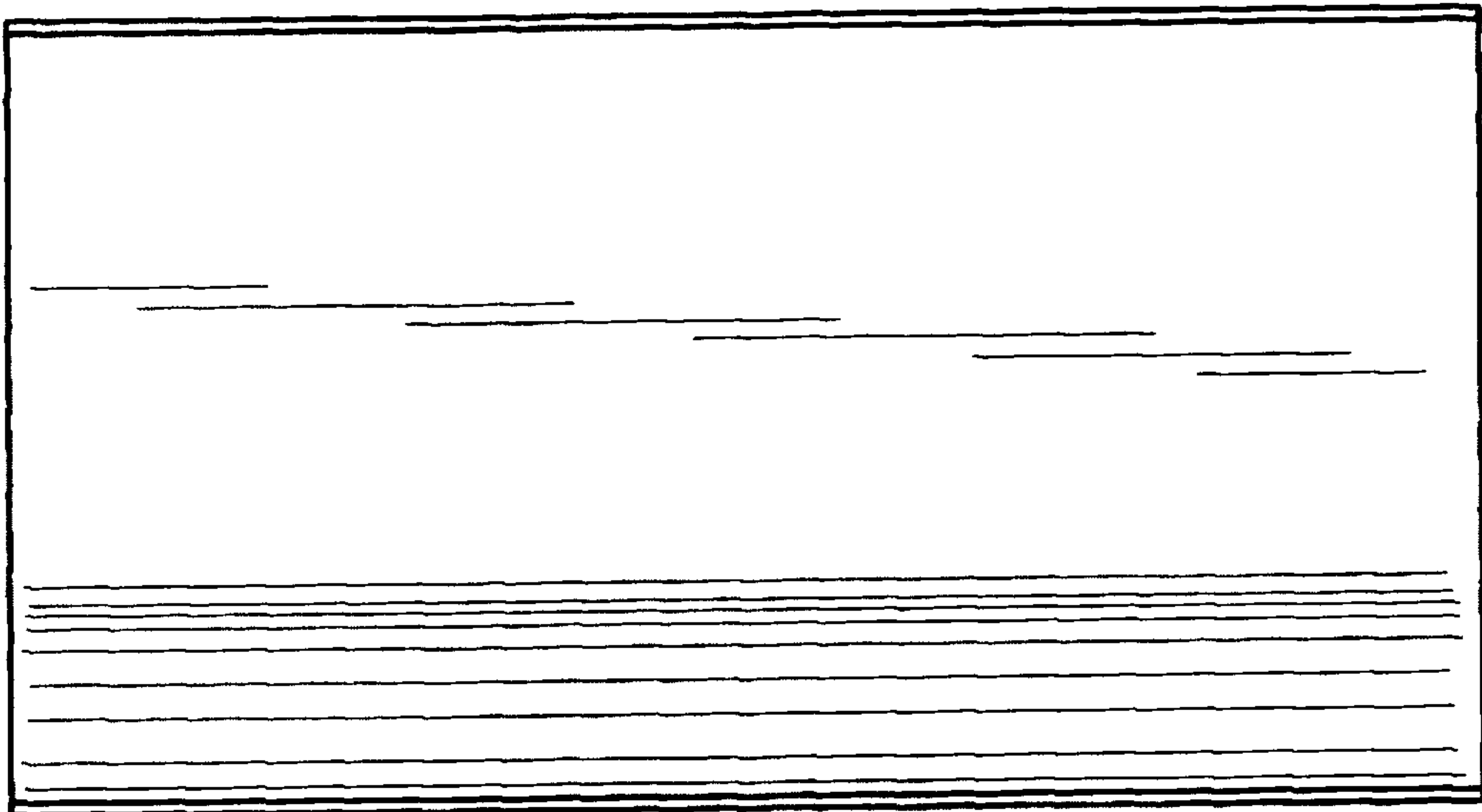


FIG. 5

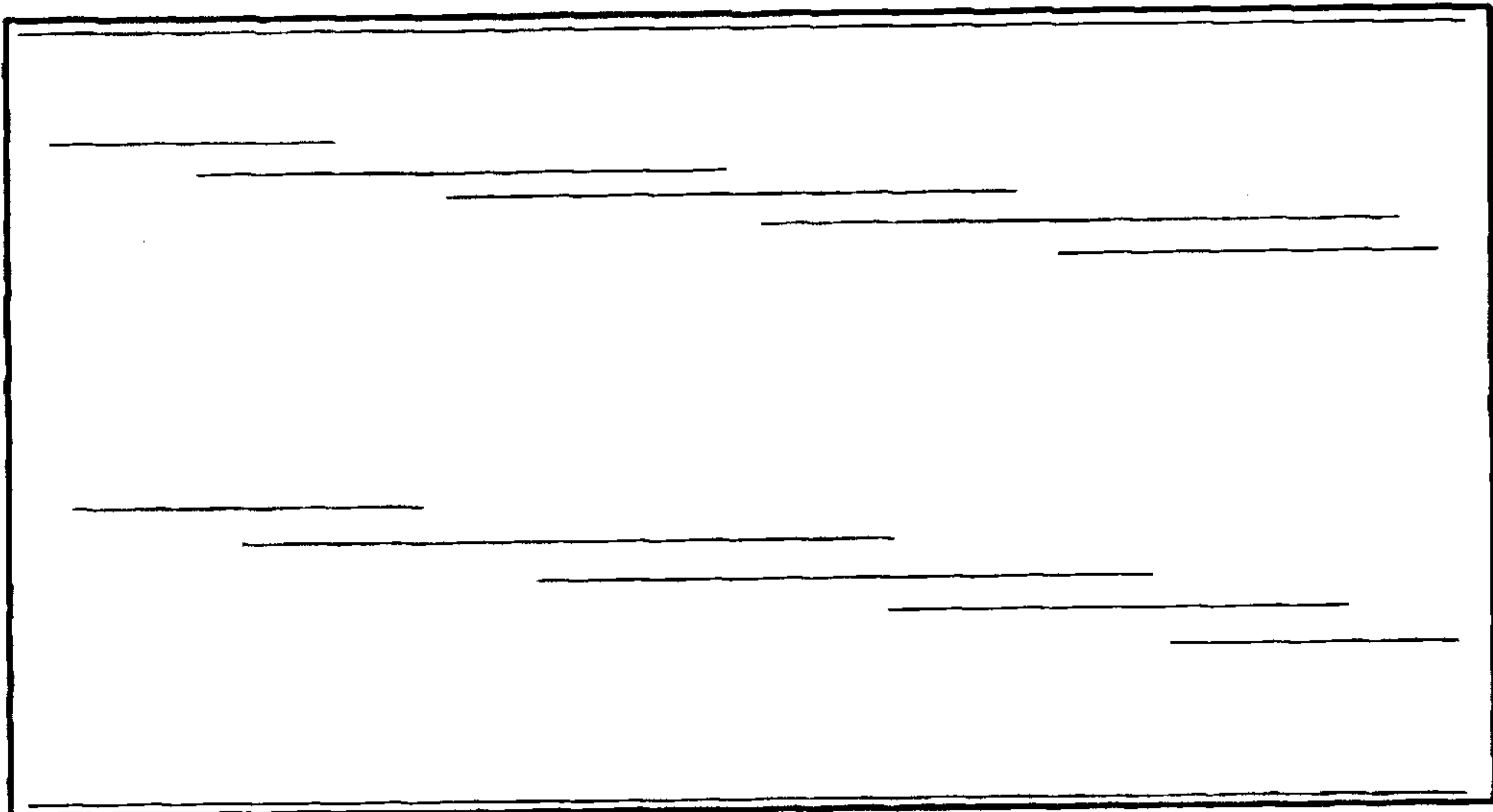


FIG. 6