



US00D408386S

# United States Patent [19]

Yeh et al.

[11] Patent Number: Des. 408,386

[45] Date of Patent: \*\*Apr. 20, 1999

[54] COMPUTER PANEL

[75] Inventors: Calvin Yeh; Shu-Yuan Chen, both of Taipei, Taiwan

[73] Assignee: Ever Case Technology, Inc., Taipei, Taiwan

[\*\*] Term: 14 Years

[21] Appl. No.: 29/084,731

[22] Filed: Mar. 9, 1998

### [30] Foreign Application Priority Data

Nov. 27, 1997 [TW] Taiwan ..... 86310188

[51] LOC (6) Cl. .... 14-02

[52] U.S. Cl. .... D14/114

[58] Field of Search ..... D14/100, 107, D14/109, 114; D13/184, 199; 361/686, 673-83, 694; 360/97.01-99.12

### [56] References Cited

#### U.S. PATENT DOCUMENTS

D. 370,475 6/1996 Alfonso et al. .... D14/115

D. 375,728	11/1996	Nicklos et al. ....	D14/114
D. 380,460	7/1997	Alfonso et al. ....	D14/109
D. 386,752	11/1997	Han .....	D14/100
D. 386,753	11/1997	Han .....	D14/100
D. 393,246	4/1998	Fynn et al. ....	D14/100

Primary Examiner—M. H. Tung  
Attorney, Agent, or Firm—Alston & Bird LLP

### [57] CLAIM

The ornamental design for an computer panel, as shown and described.

### DESCRIPTION

FIG. 1 is a perspective view showing a preferred embodiment of the computer panel of our new design on an enlarged scale;

FIG. 2 is a top view of the preferred embodiment;

FIG. 3 is a bottom view of the preferred embodiment;

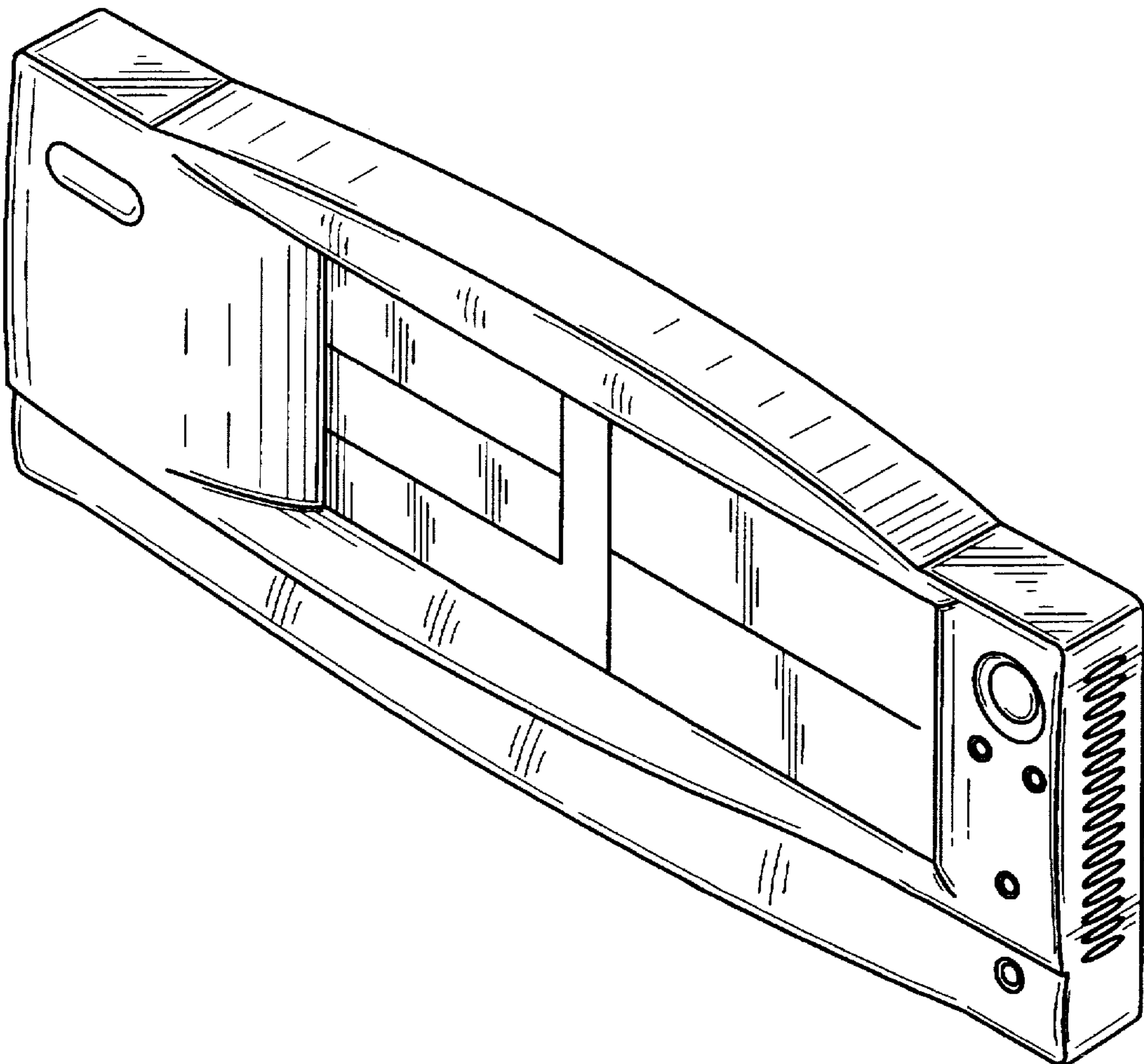
FIG. 4 is a left side view of the preferred embodiment;

FIG. 5 is a right side view of the preferred embodiment;

FIG. 6 is a front elevational view of the preferred embodiment; and,

FIG. 7 is a rear view of the preferred embodiment.

1 Claim, 3 Drawing Sheets



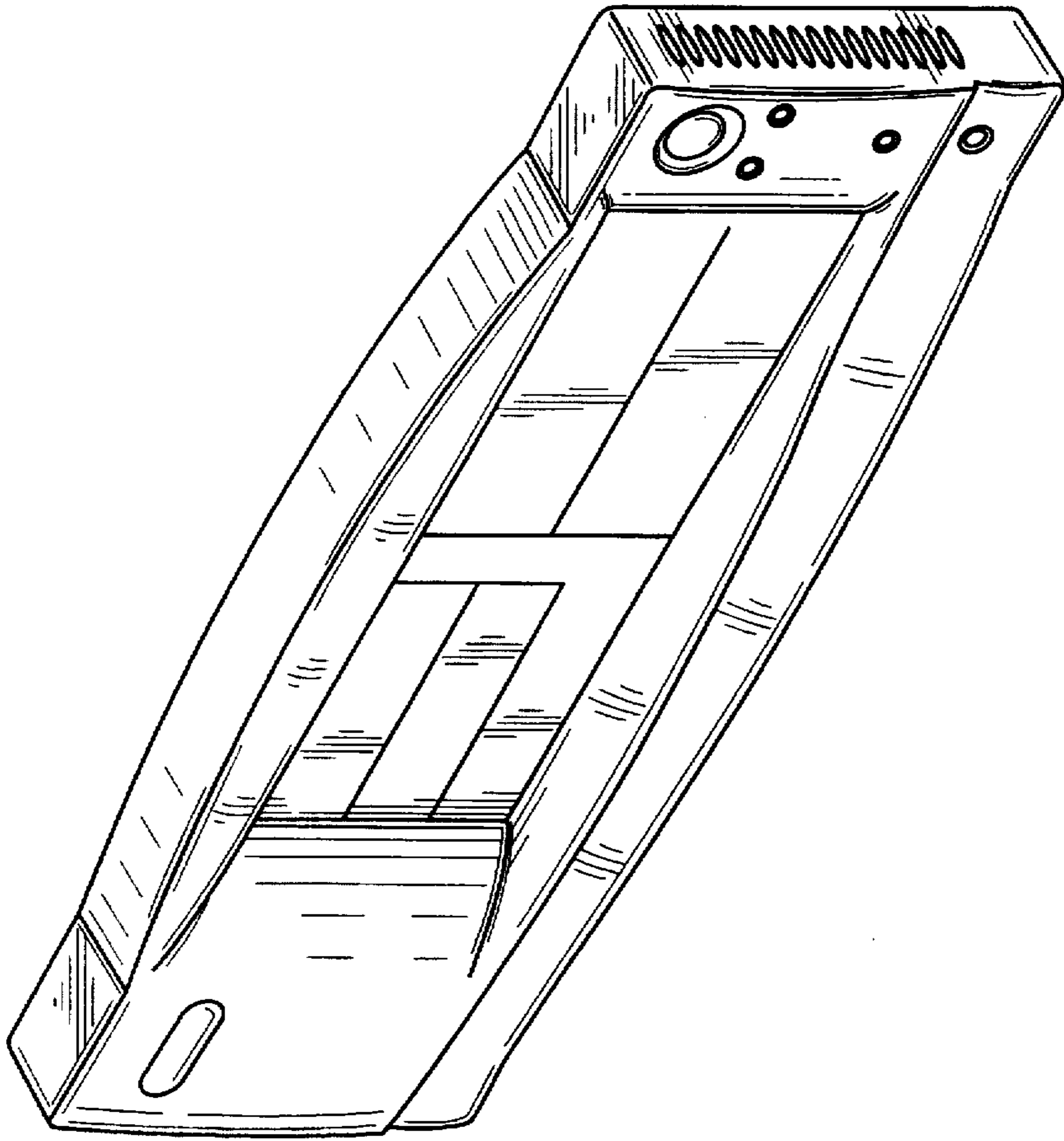


FIG. 1.

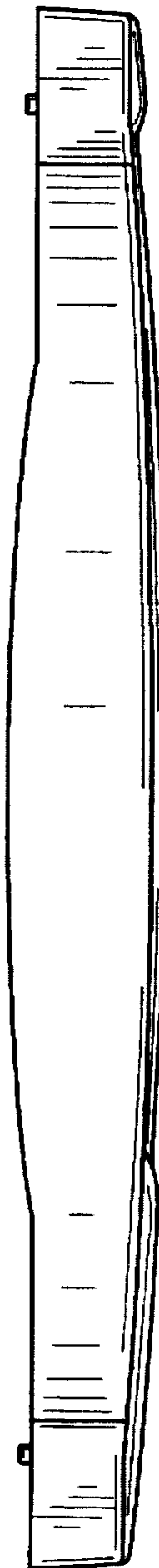


FIG. 2.



FIG. 3.

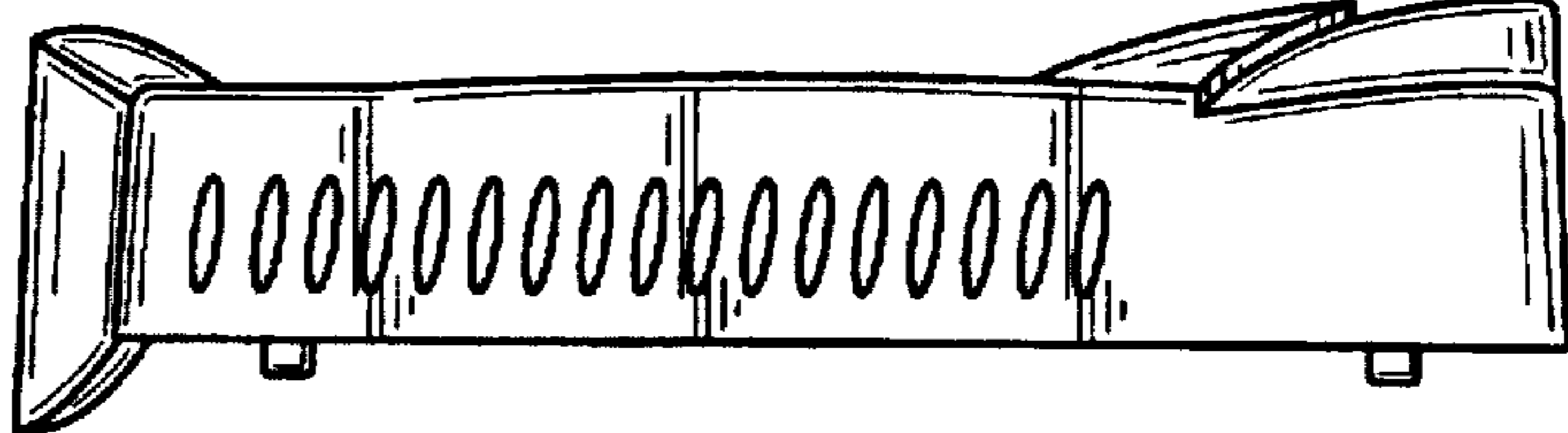


FIG. 5.

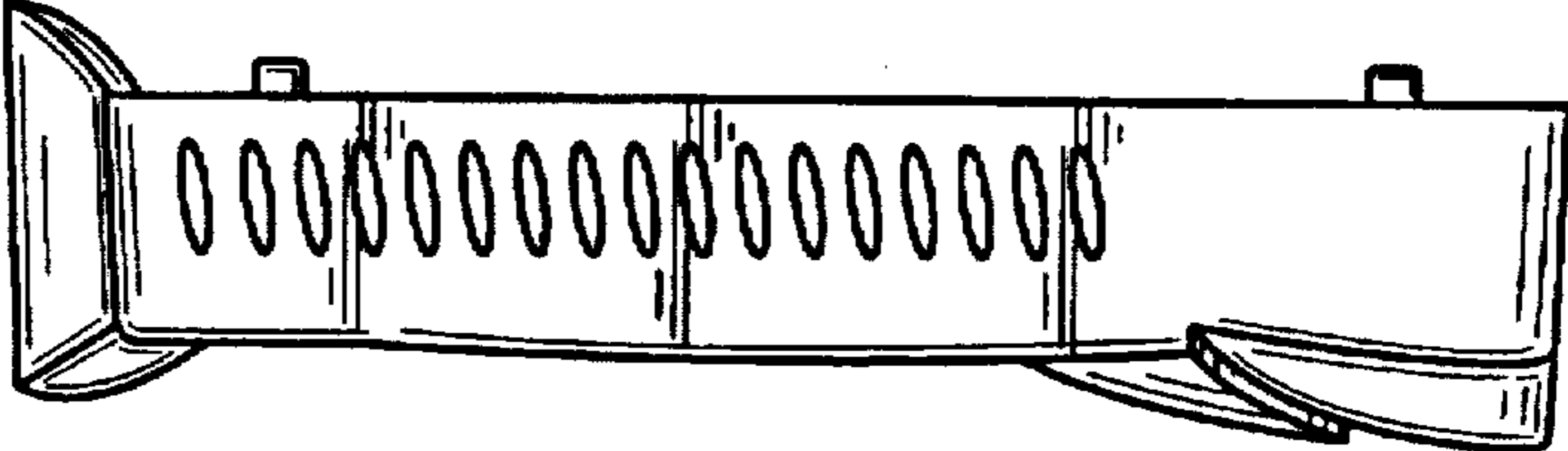


FIG. 4.

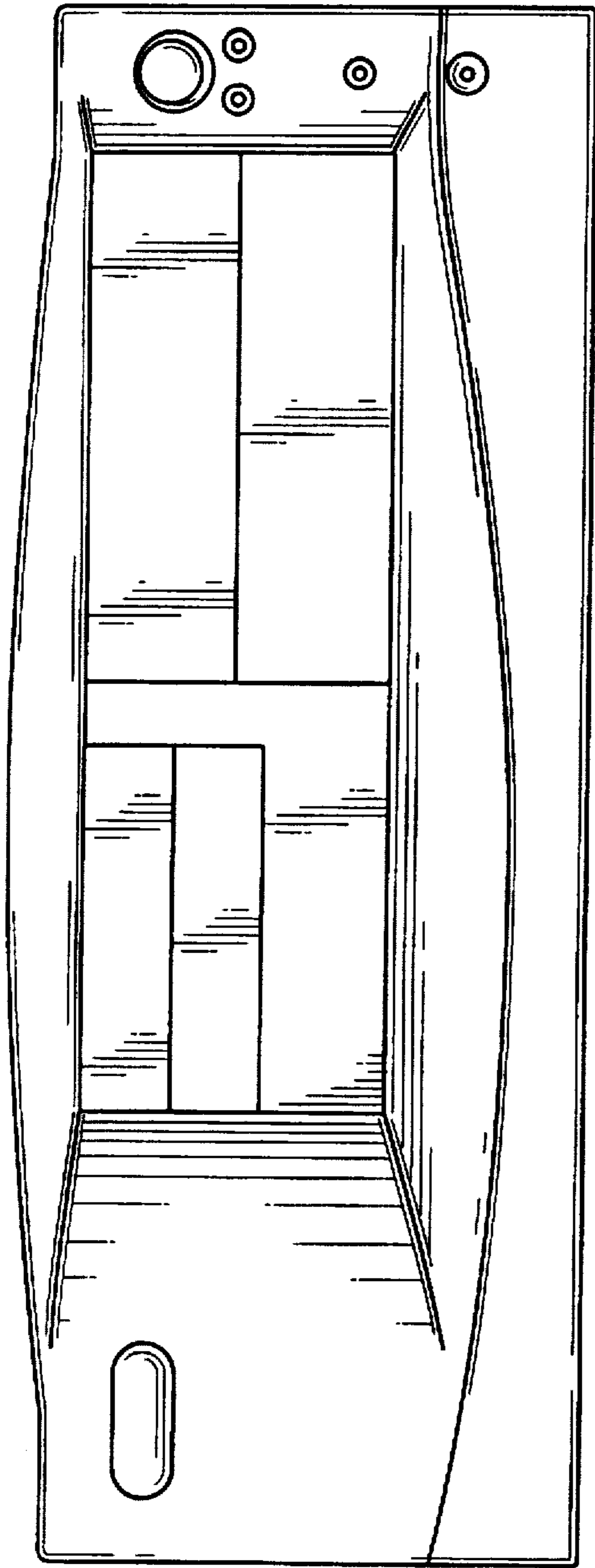


FIG. 6.

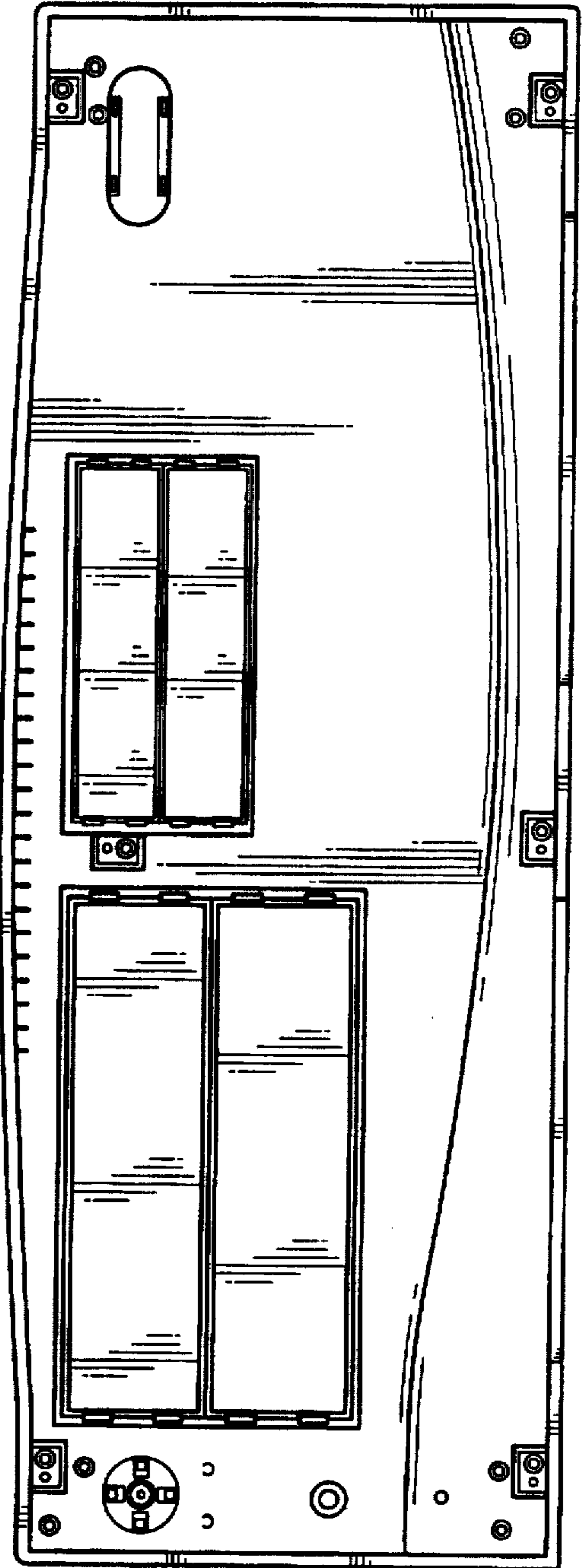


FIG. 7.