



US00D408383S

United States Patent [19]

Carter et al.

[11] Patent Number: Des. 408,383

[45] Date of Patent: **Apr. 20, 1999

- [54] **FLAT SCREEN MONITOR**
- [75] Inventors: **D. Geoffrey R. Carter; Anthony T. Lee**, both of Fresno, Calif.
- [73] Assignee: **Pelco**, Clovis, Calif.
- [**] Term: **14 Years**
- [21] Appl. No.: **29/089,233**
- [22] Filed: **Jun. 10, 1998**
- [51] LOC (6) Cl. **14-02**
- [52] U.S. Cl. **D14/113; D14/126; D14/100**
- [58] Field of Search **D14/100, 101, D14/113, 106, 126-129; 248/917-924; 341/12; 345/104, 133, 156, 168, 173, 87; 348/180, 184, 325, 739**

- D. 337,104 7/1993 Orchard D14/113
- D. 355,170 2/1995 Mizusugi et al. D14/100
- D. 357,468 4/1995 Rodd D14/113
- D. 373,576 9/1996 Liggett D14/100
- 5,046,273 9/1991 Virvo 40/571
- 5,119,204 6/1992 Hashimoto 358/254
- 5,375,076 12/1994 Goodrich 364/708.1

Primary Examiner—Freda Nunn
Attorney, Agent, or Firm—Prince, Yeates & Geldzahler

[57] CLAIM

We claim the ornamental design for a flat screen monitor, as shown.

DESCRIPTION

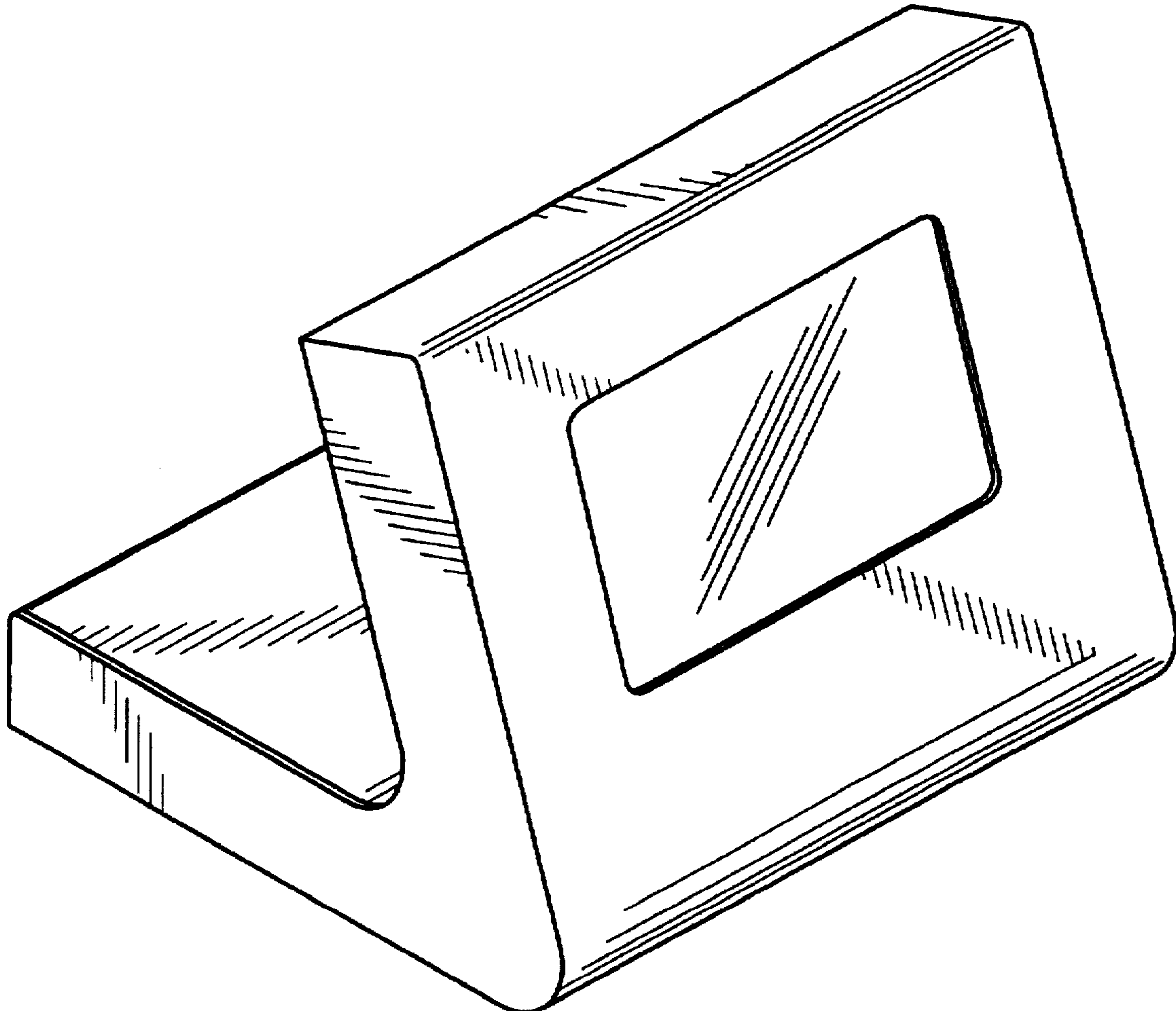
FIG. 1 is a perspective view of the flat screen monitor; FIG. 2 is a front elevational view thereof; FIG. 3 is a rear elevational view thereof; FIG. 4 is a left-side elevational view thereof; FIG. 5 is a right-side elevational view thereof; FIG. 6 is a top plan view thereof; and, FIG. 7 is a bottom plan view thereof.

[56] References Cited

U.S. PATENT DOCUMENTS

- D. 321,172 10/1991 Moore, IV et al. D14/100
- D. 326,847 6/1992 Savio D14/113

1 Claim, 4 Drawing Sheets



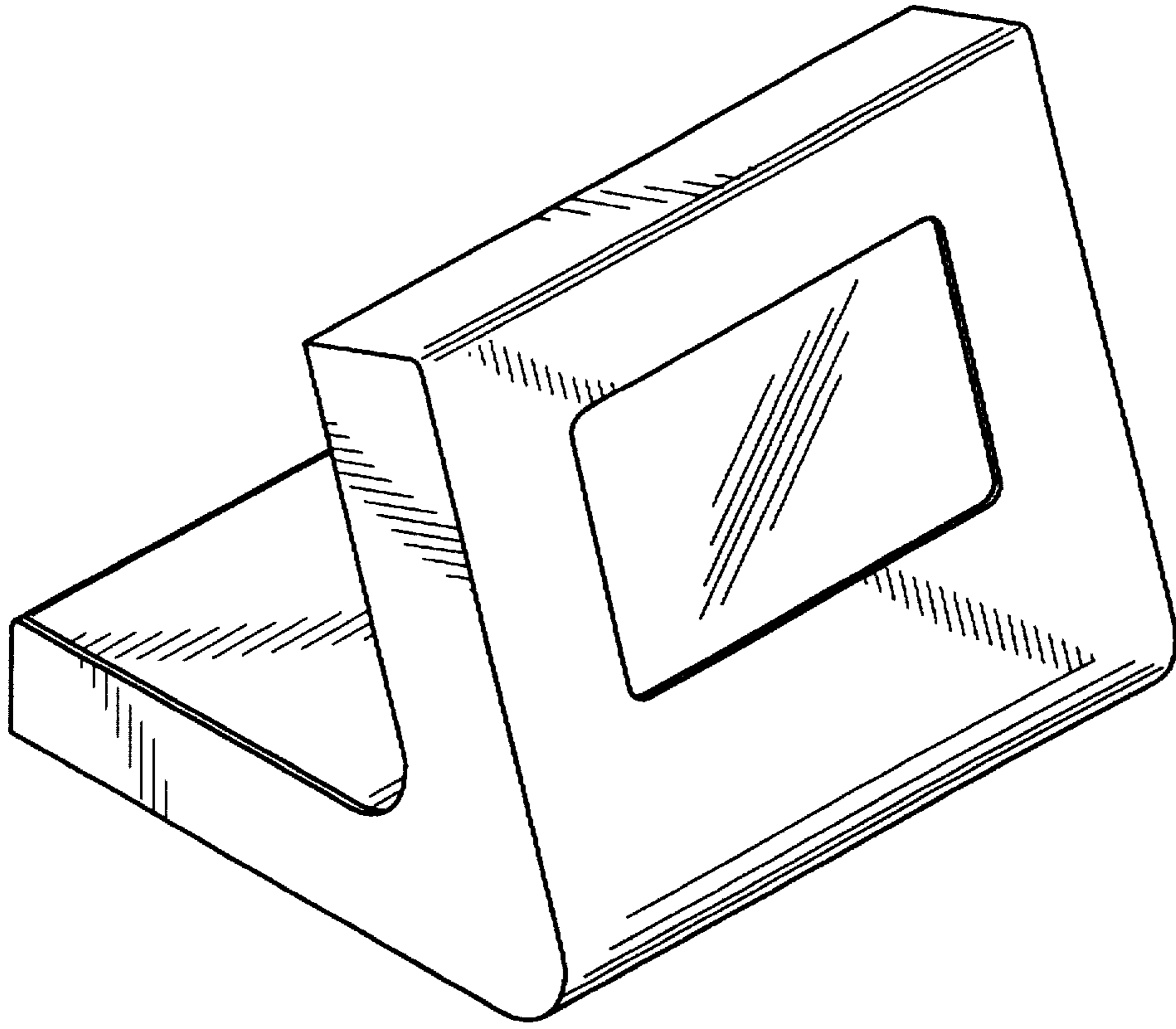


Fig. 1

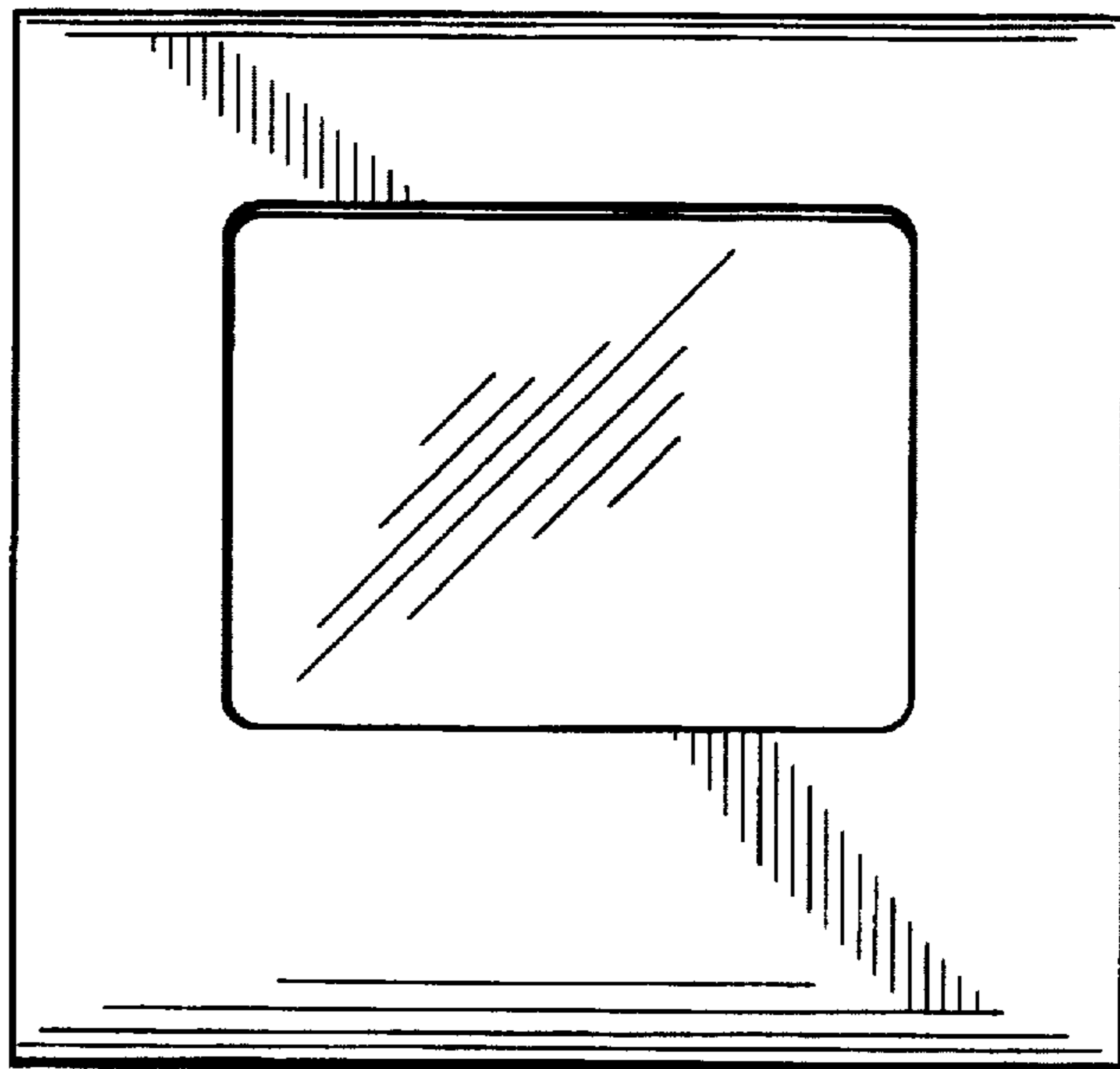


Fig. 2

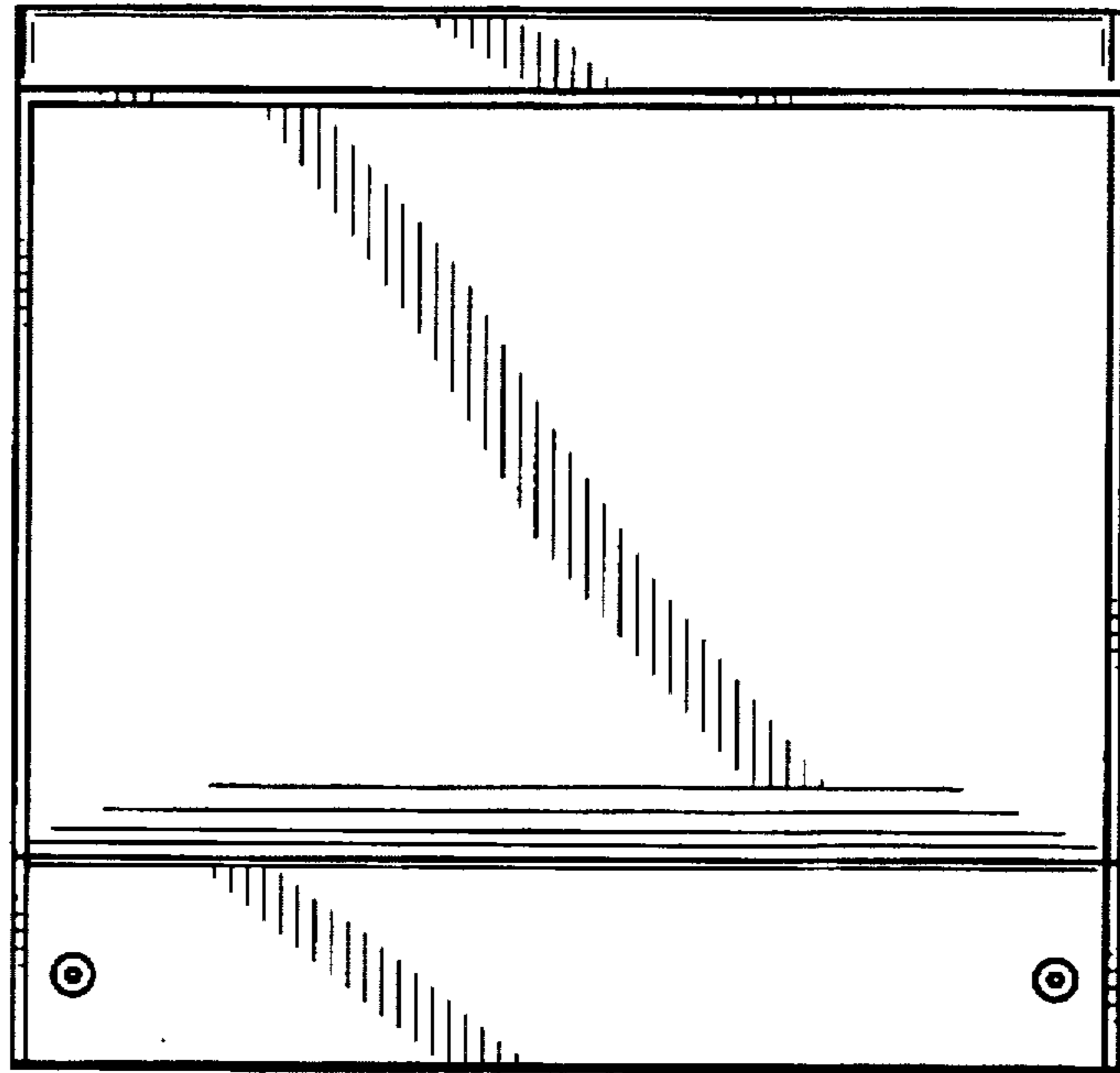


Fig. 3

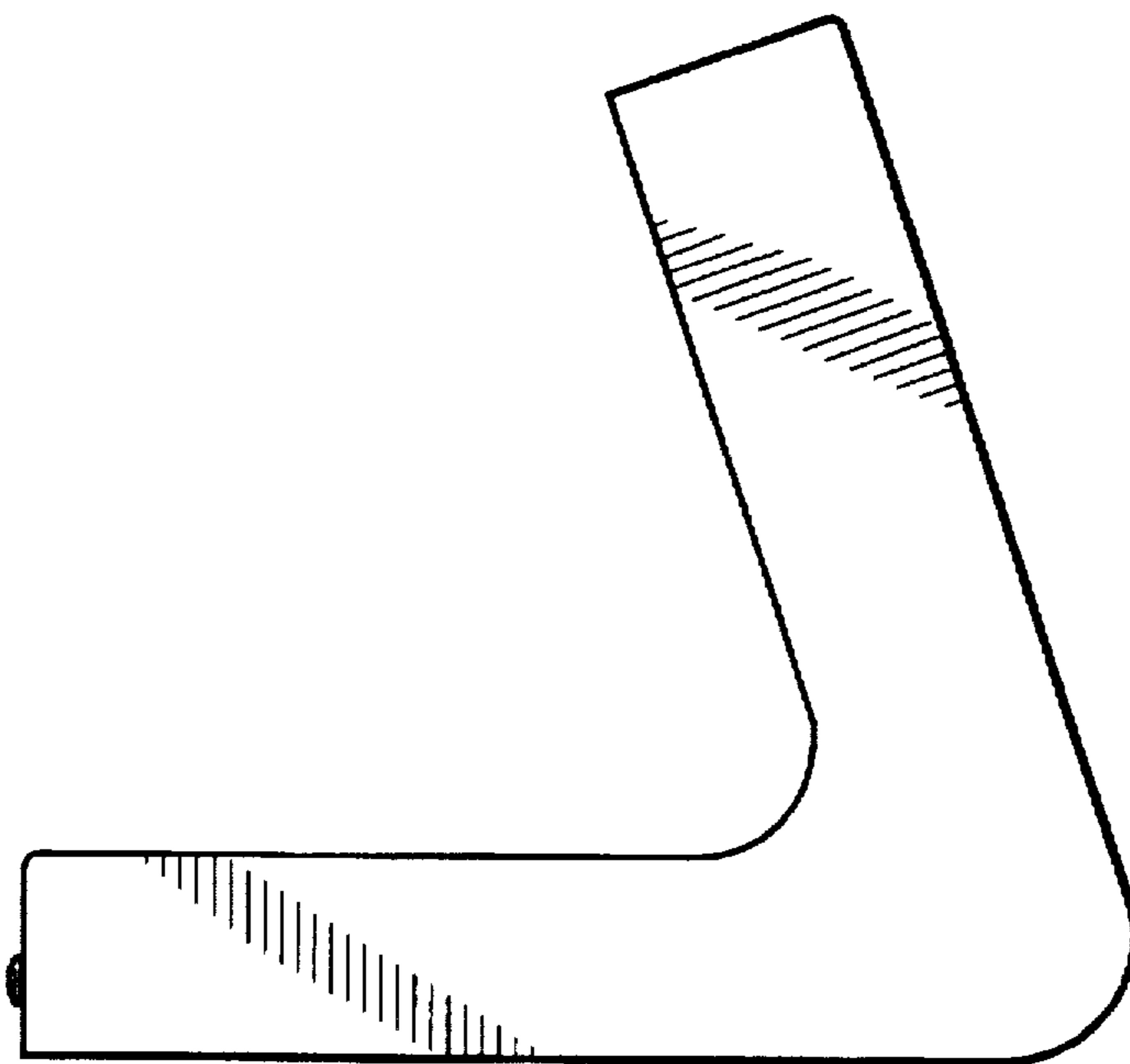


Fig. 4

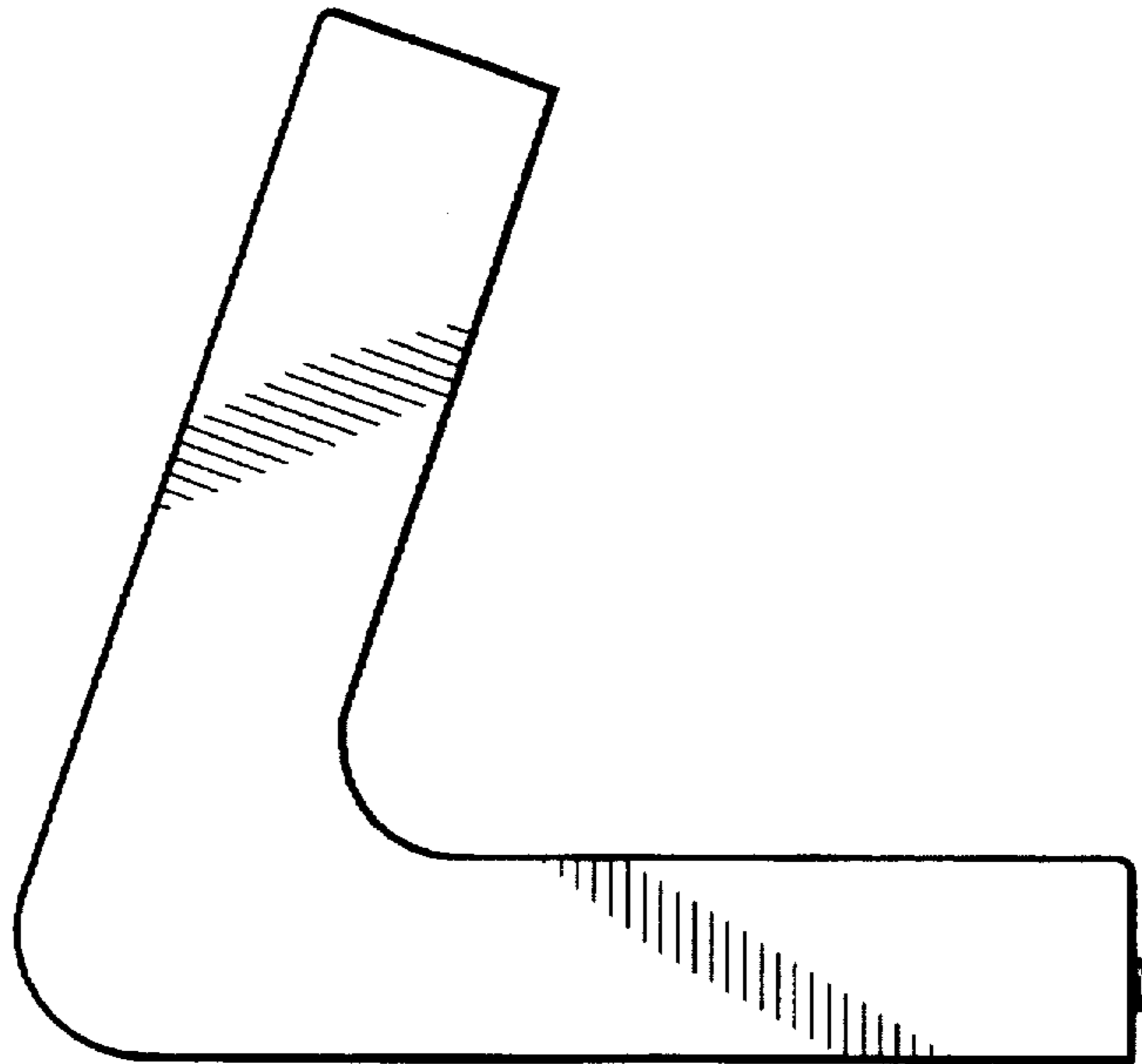


Fig. 5

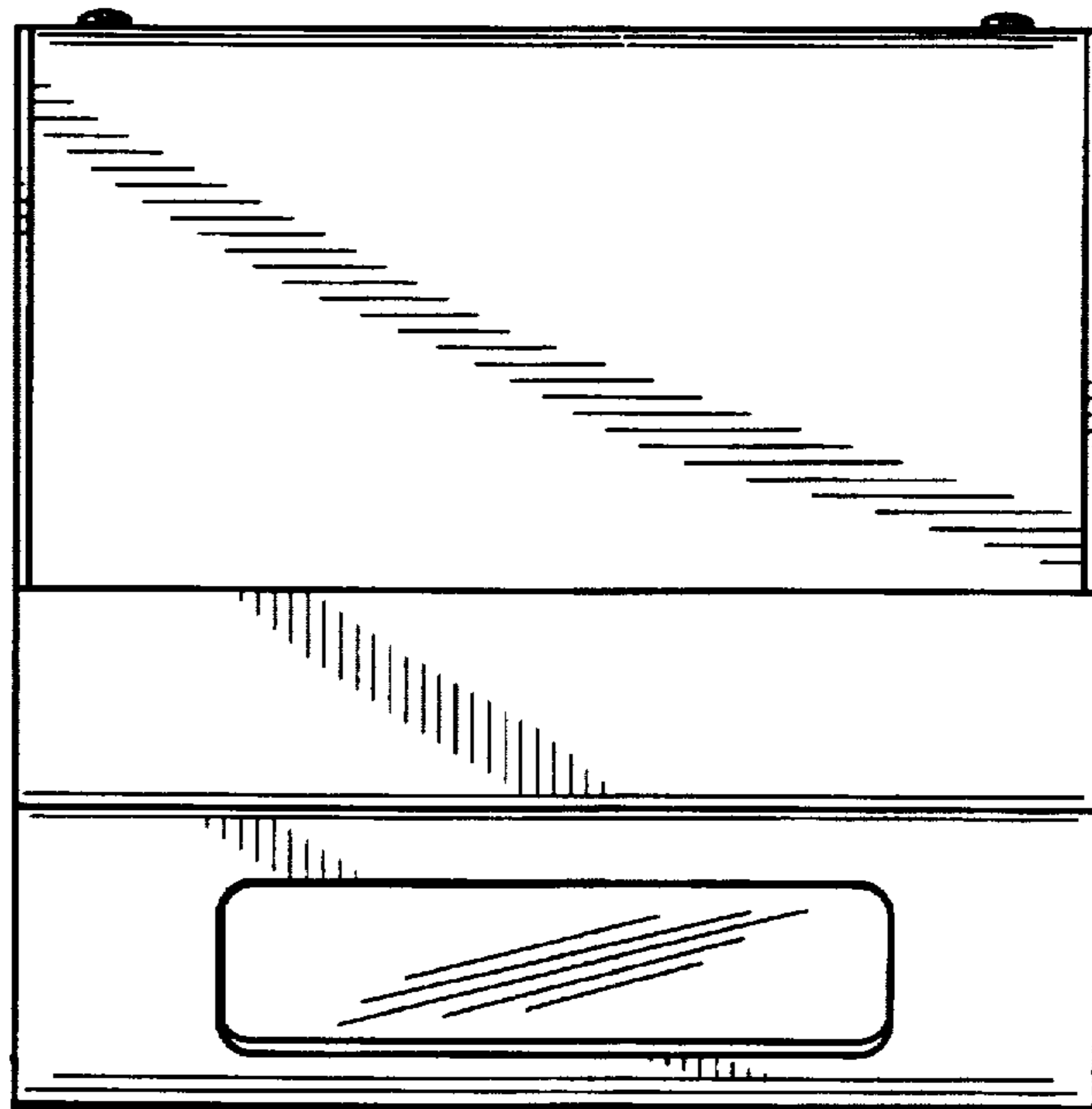


Fig. 6

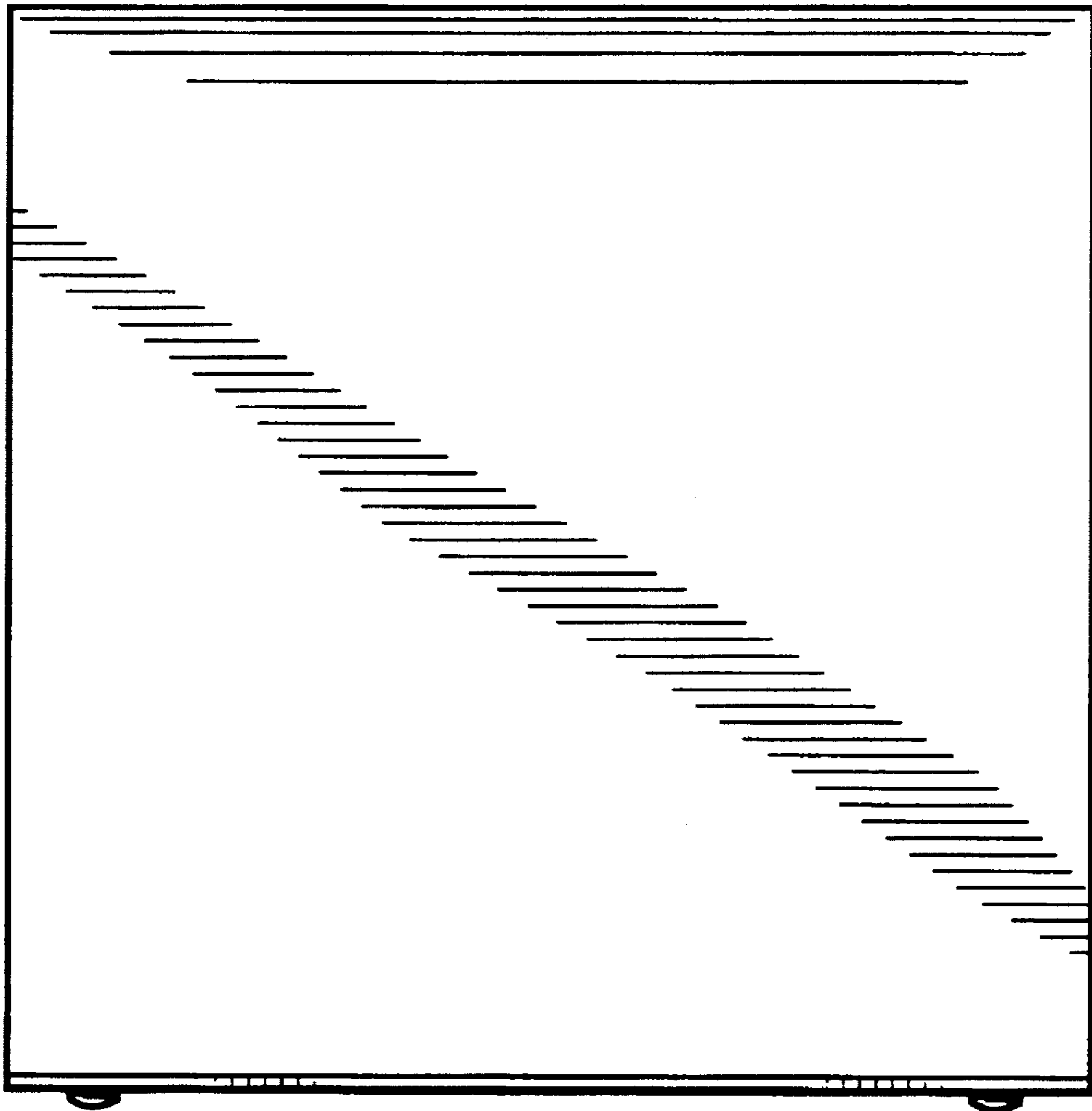


Fig. 7