



US00D408381S

# United States Patent [19]

Nelson et al.

[11] Patent Number: Des. 408,381

[45] Date of Patent: \*\*Apr. 20, 1999

[54] STAND-ALONE DRIVE FOR DISK-SHAPED DATA STORAGE MEDIA

[75] Inventors: **Bruce E. Nelson**, Minneapolis; **Michael J. Elvidge**, Shoreview; **James R. Gilbertson**, Maplewood, all of Minn.

[73] Assignee: **Imation Corp.**, Oakdale, Minn.

[\*\*] Term: **14 Years**

[21] Appl. No.: **29/086,263**

[22] Filed: **Apr. 9, 1998**

[51] LOC (6) Cl. .... **14-02**

[52] U.S. Cl. .... **D14/109**

[58] Field of Search ..... D14/100, 107, D14/108, 109; D13/162, 184, 199; D6/432, 436, 445, 448; 312/208.1; 360/99.12; 361/683, 685, 694, 696

[56] **References Cited**

**U.S. PATENT DOCUMENTS**

- D. 327,878 7/1992 Fukutake et al. .... D14/107
- D. 348,070 6/1994 Vallilee ..... D14/240
- D. 358,138 5/1995 Koyanagi et al. .... D14/109

- D. 359,852 7/1995 Wicks ..... D14/109
- D. 391,239 2/1998 Carlson .
- D. 391,942 3/1998 Lee ..... D14/114
- 5,402,308 3/1995 Koyanagi et al. .... 361/685

*Primary Examiner*—Freda Nunn  
*Attorney, Agent, or Firm*—Eric D. Levinson

[57] **CLAIM**

The ornamental design for a stand-alone drive for disk-shaped data storage media, as shown and described.

**DESCRIPTION**

FIG. 1 is a front isometric view of a stand-alone drive for disk-shaped data storage media according to the present invention;

FIG. 2 is a top view of the drive shown in FIG. 1;

FIG. 3 is a bottom view of the drive shown in FIG. 1;

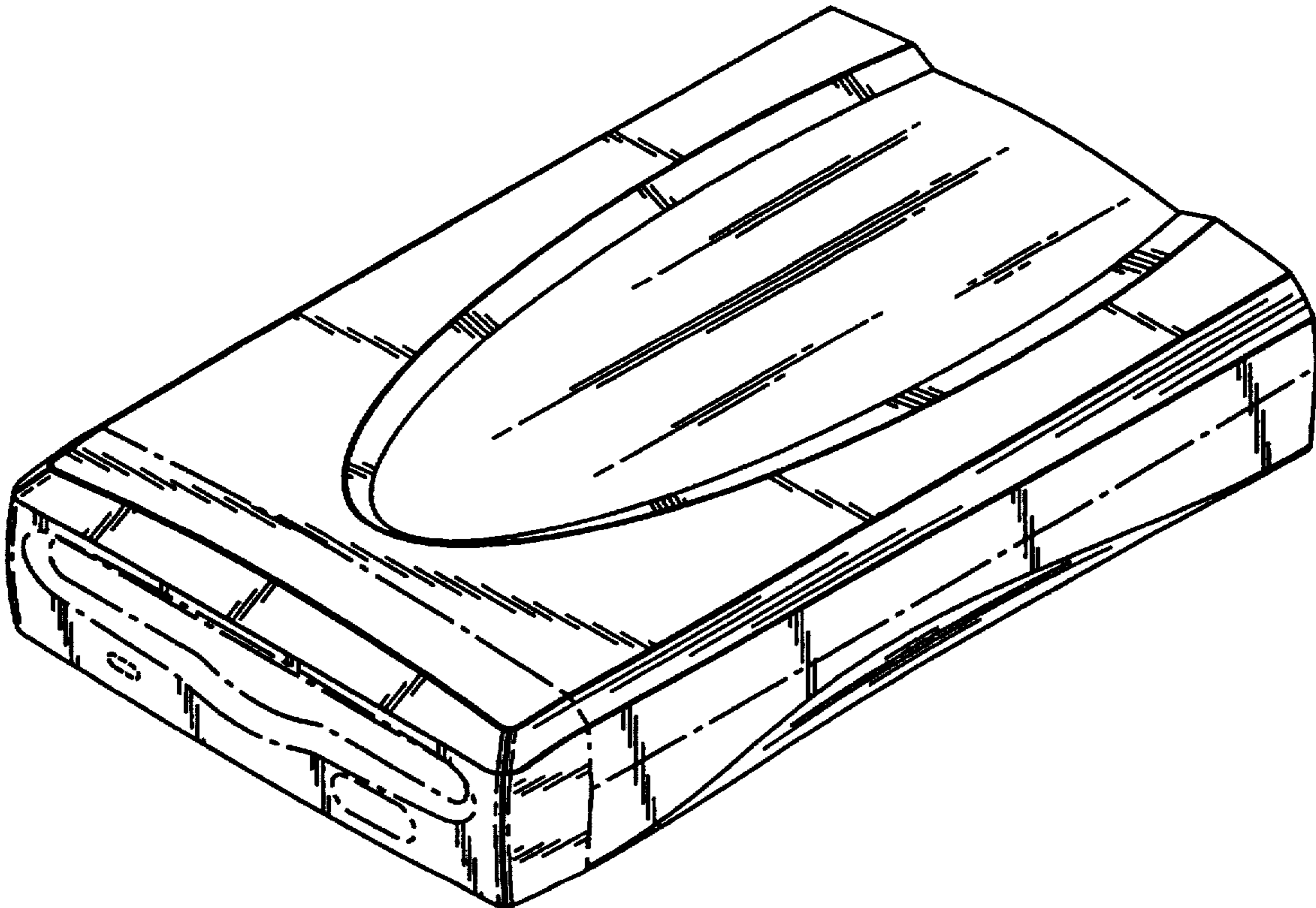
FIG. 4 is a front view of the drive shown in FIG. 1;

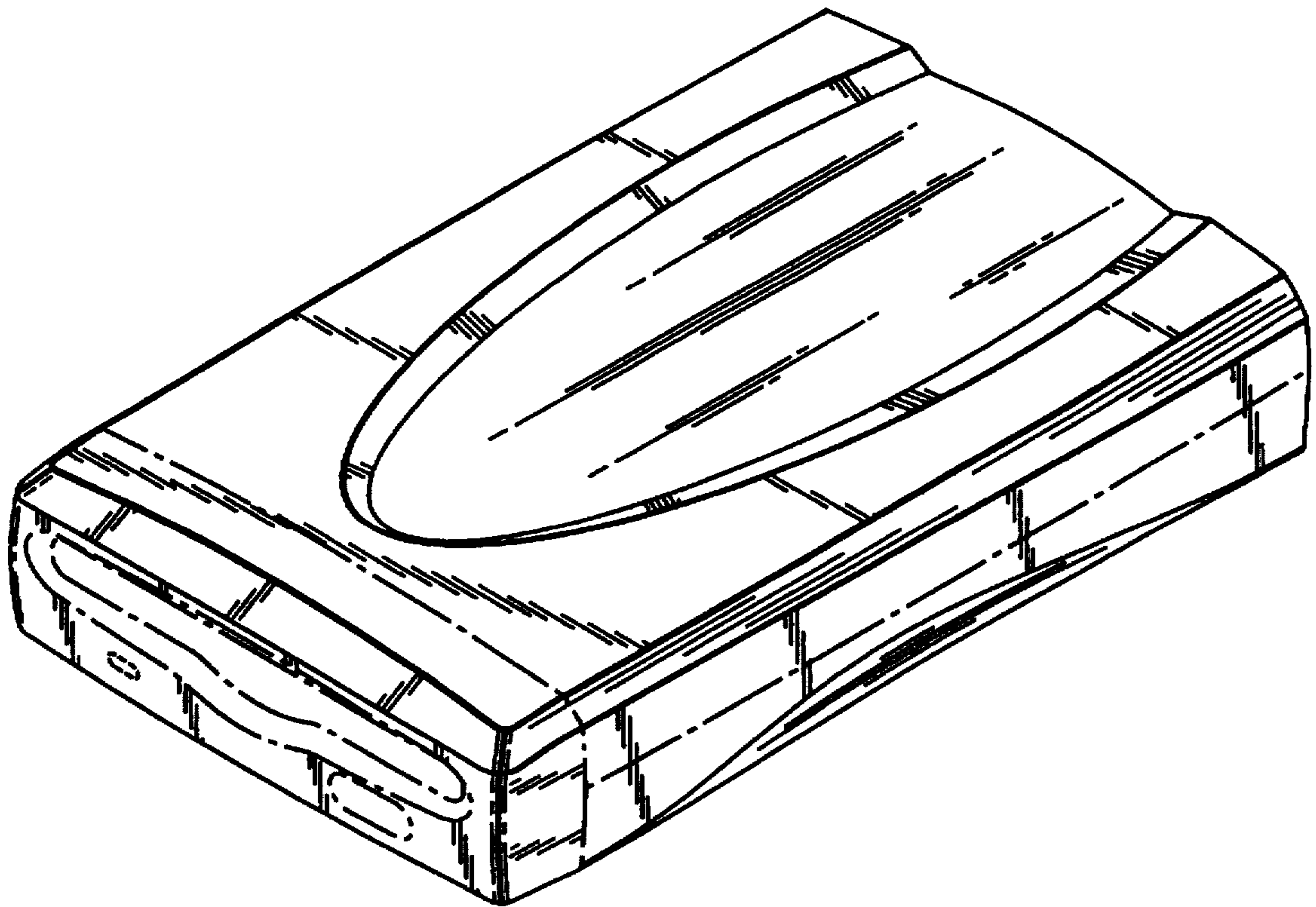
FIG. 5 is a rear view of the drive shown in FIG. 1; and,

FIG. 6 is a side view of the drive shown in FIG. 1 the opposite side view is identical.

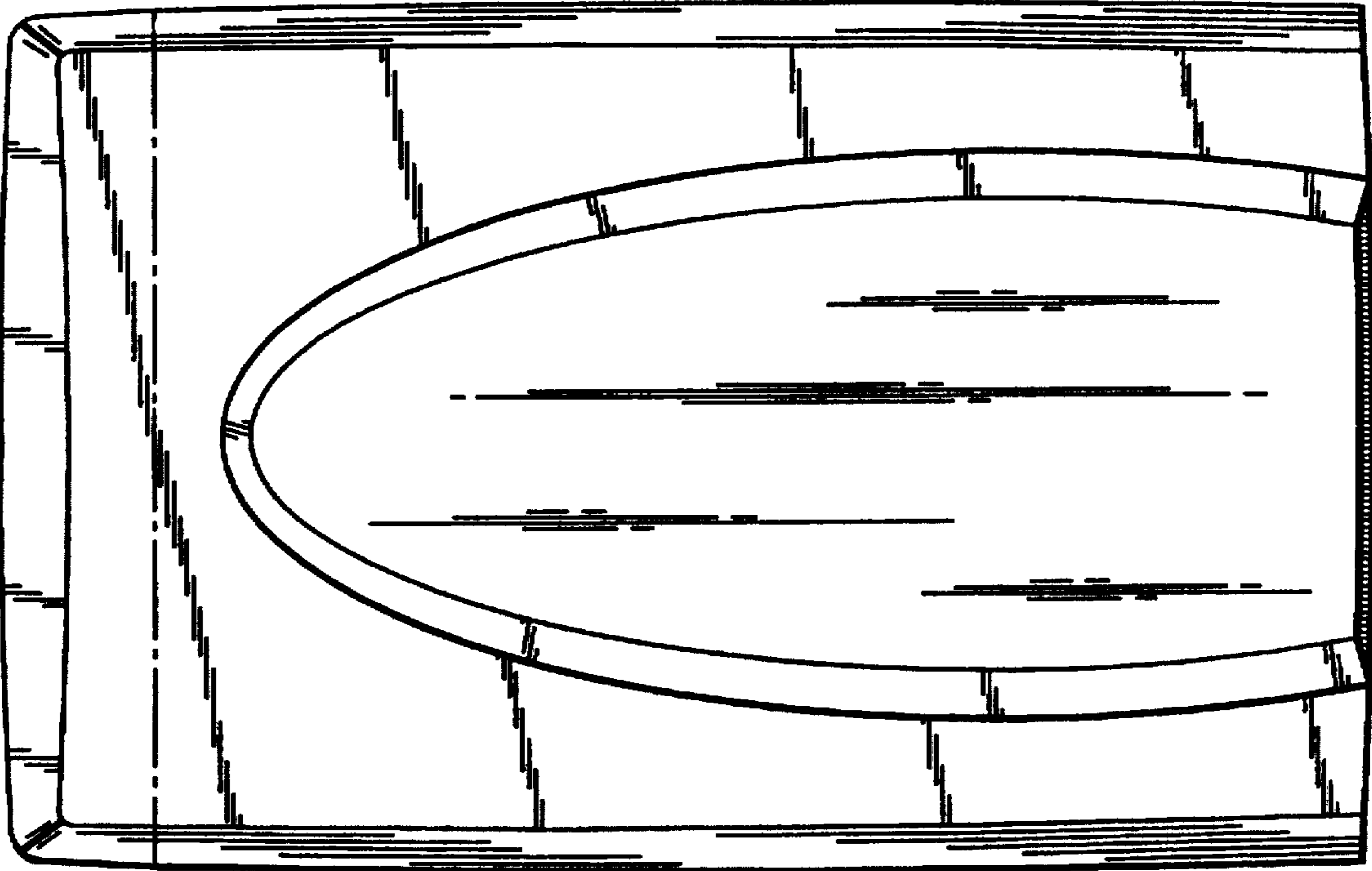
Those portions of the drive shown in broken lines are included for illustrative purposes only and form no part of the claimed design.

**1 Claim, 4 Drawing Sheets**

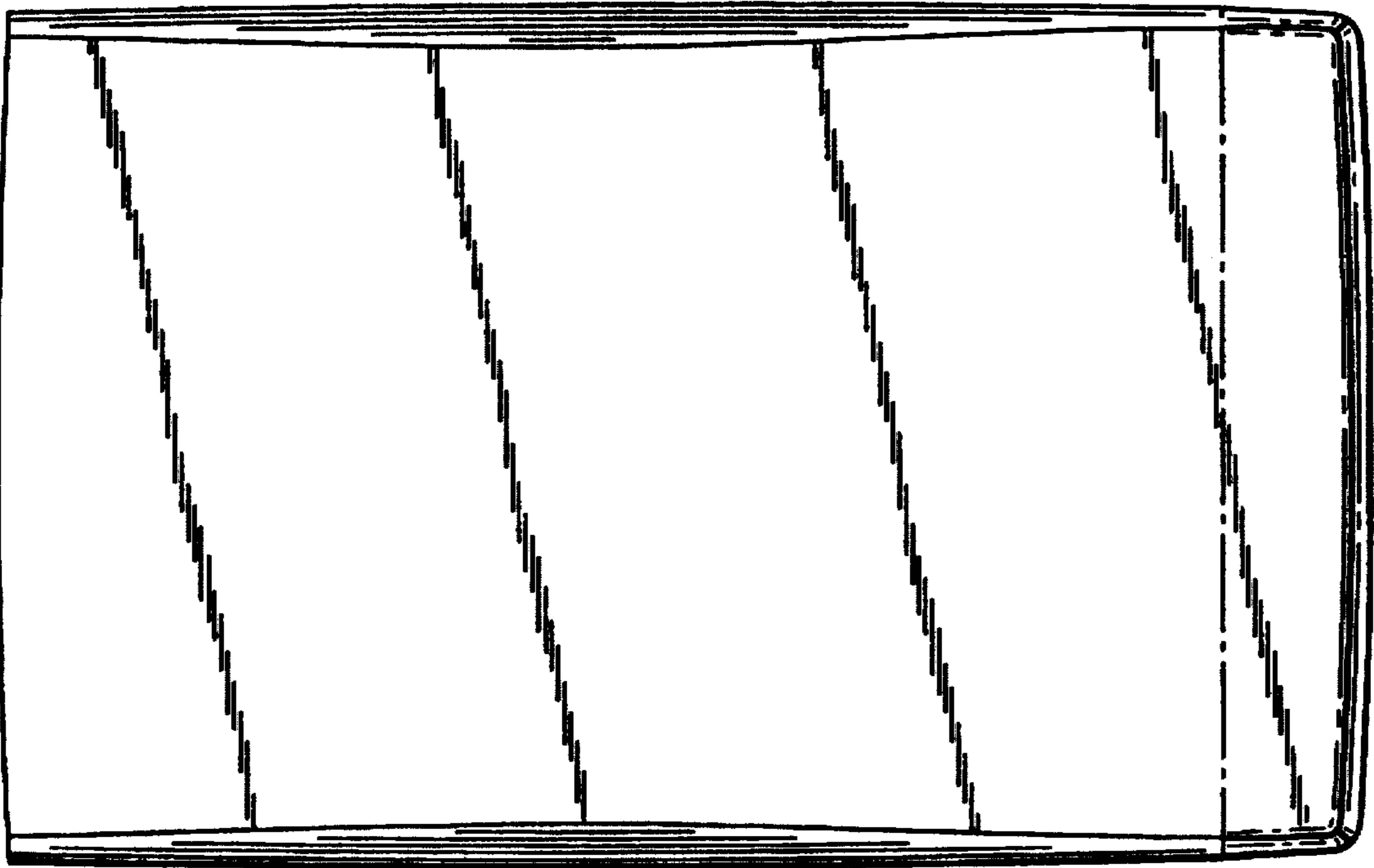




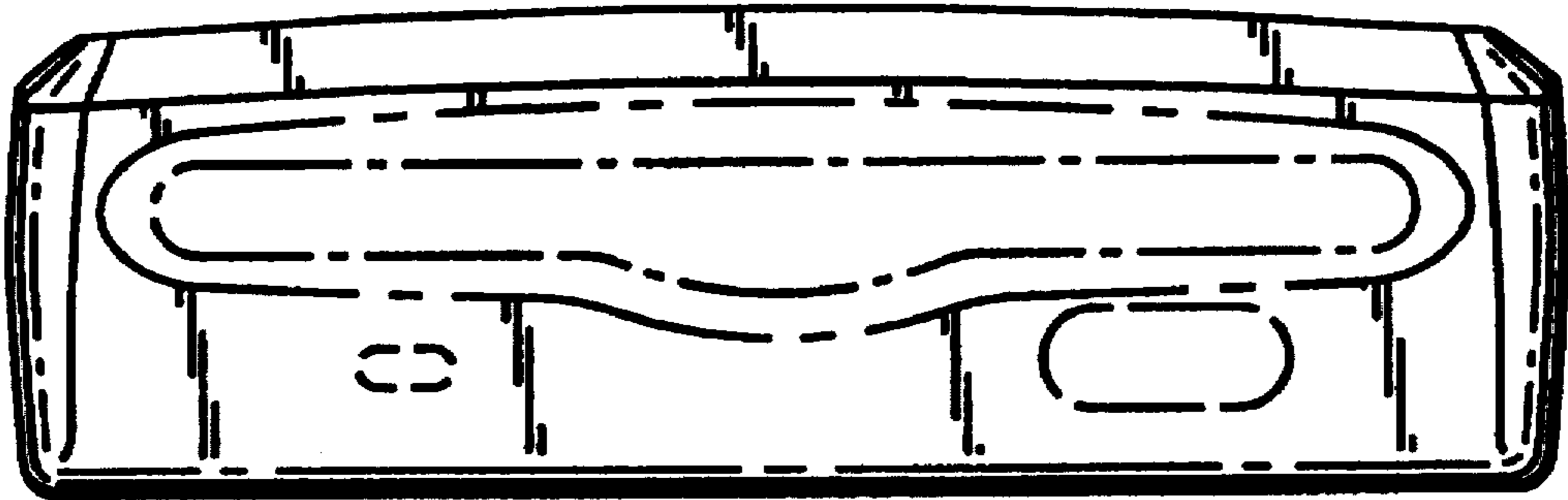
**Fig. 1**



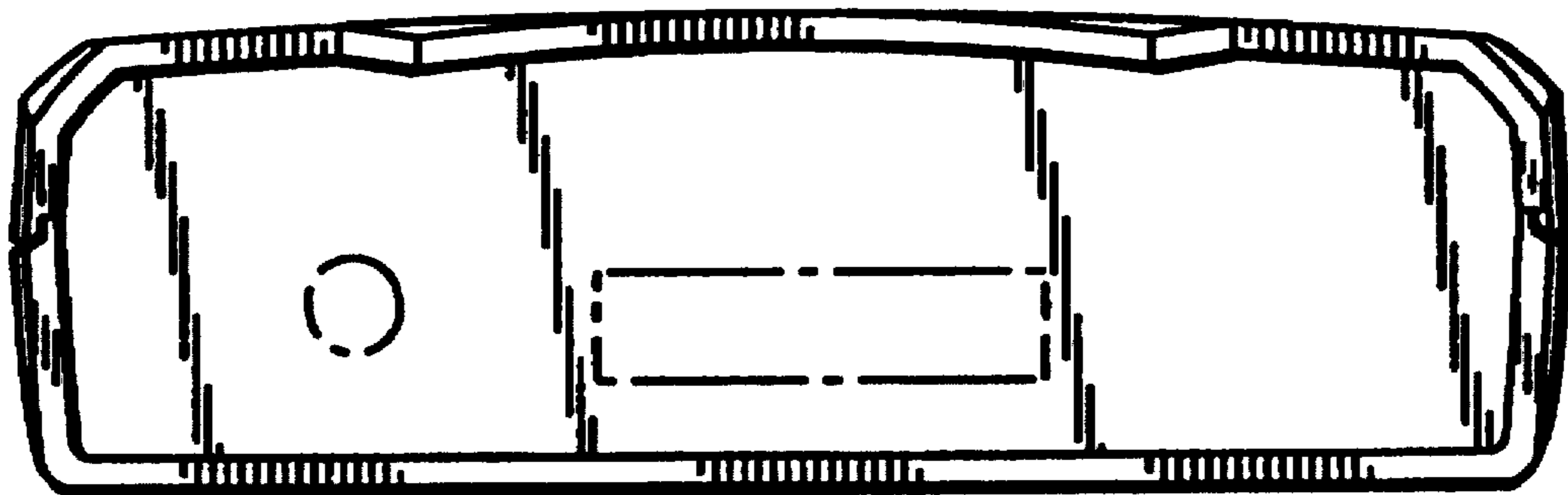
**Fig. 2**



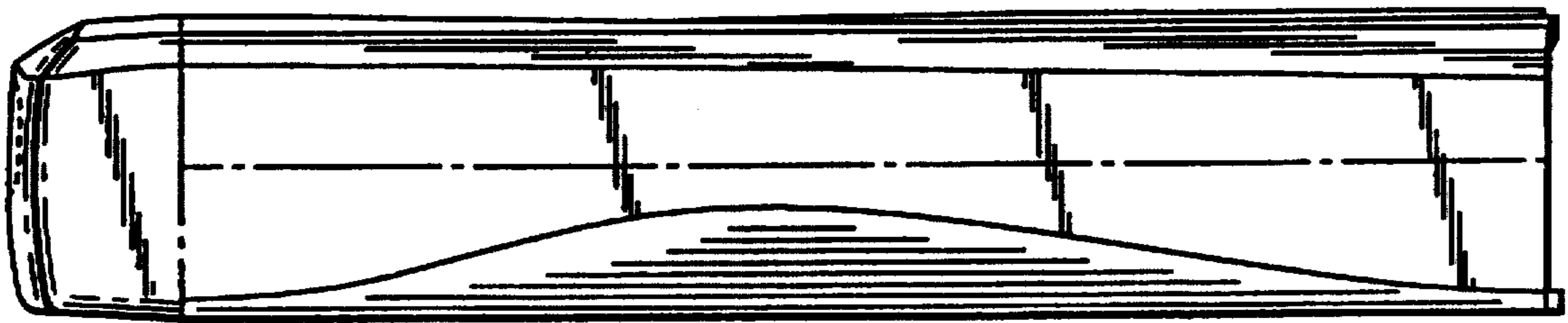
**Fig. 3**



**Fig. 4**



**Fig. 5**



**Fig. 6**