



US00D408377S

United States Patent [19]

Ferchau et al.

[11] Patent Number: **Des. 408,377**

[45] Date of Patent: ****Apr. 20, 1999**

[54] **PORTABLE DEVICE FOR COMMUNICATING WITH MAGNETIC STRIPE AND INTEGRATED CIRCUIT CARDS**

D. 371,765	7/1996	Moss et al.	D14/105
D. 383,729	9/1997	Fischer et al.	D14/100
D. 389,466	1/1998	Nakao et al.	D14/105

[75] Inventors: **Joerg U. Ferchau; Kenneth A. Kotyuk**, both of Morgan Hill; **Benjamin Sherman**, Milpitas, all of Calif.

Primary Examiner—Freda Nunn
Attorney, Agent, or Firm—Graham & James LLP

[73] Assignee: **Tandem Computers Incorporated**, Cupertino, Calif.

[57] CLAIM

The ornamental design for a portable device for communicating with magnetic stripe and integrated circuit cards, as shown and described.

[**] Term: **14 Years**

DESCRIPTION

[21] Appl. No.: **29/086,854**

FIG. 1 is a top front and side perspective view of the portable device for communicating with magnetic stripe and integrated circuit cards showing our new design;

[22] Filed: **Apr. 20, 1998**

FIG. 2 is a bottom rear and opposite side view thereof;

[51] LOC (6) CL **14-02**

[52] U.S. Cl. **D14/105**

FIG. 3 is a rear view thereof;

[58] Field of Search D14/100, 105, D14/107, 118; 250/556; 235/454, 462, 470, 380, 382.5, 382, 472, 476, 482, 483; 355/81

FIG. 4 is a bottom plan view thereof.

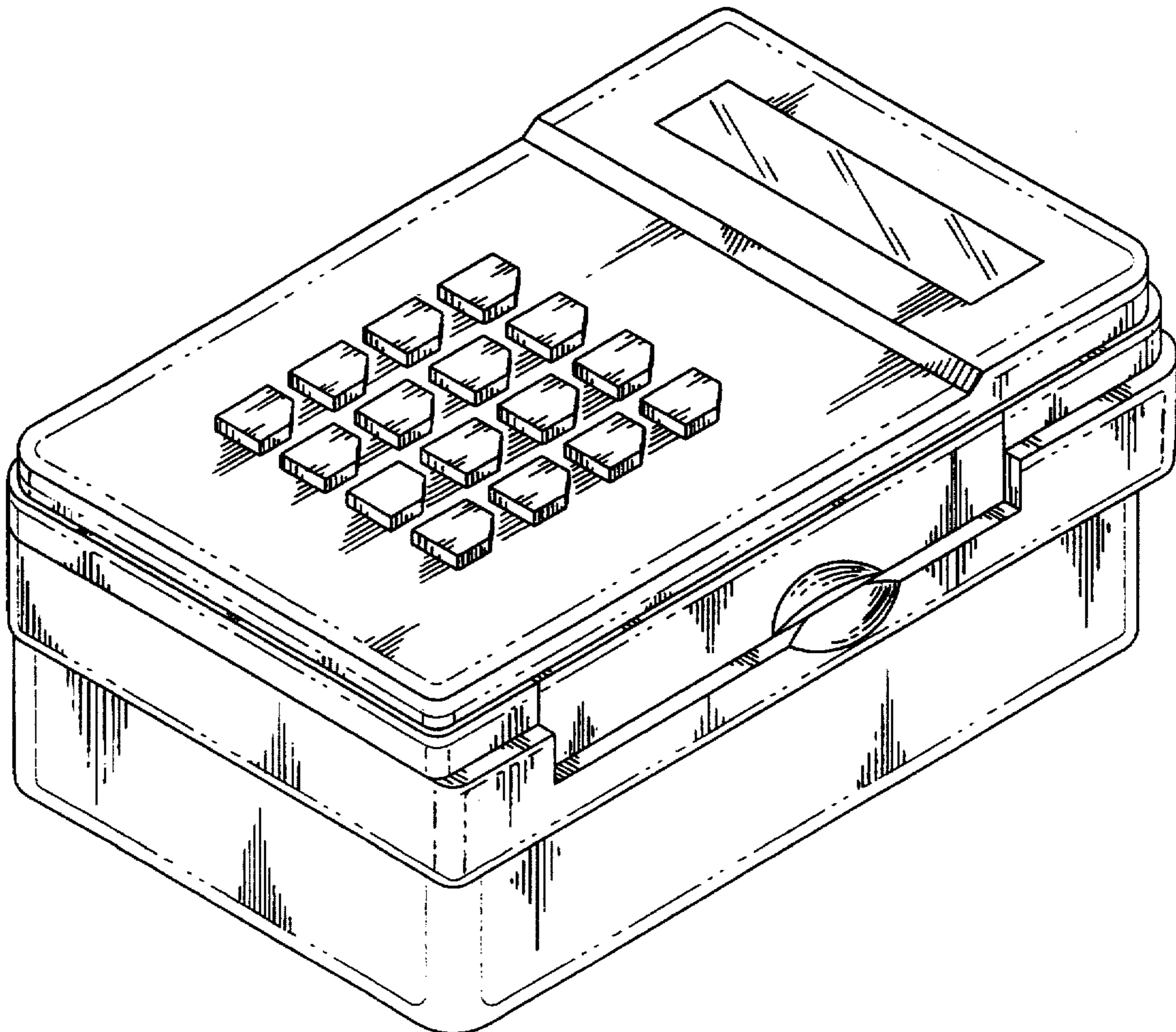
The broken lines are shown in the views for illustrative purposes only and form no part of the claimed design.

[56] References Cited

U.S. PATENT DOCUMENTS

D. 359,951 7/1995 Nair et al. D14/105

1 Claim, 4 Drawing Sheets



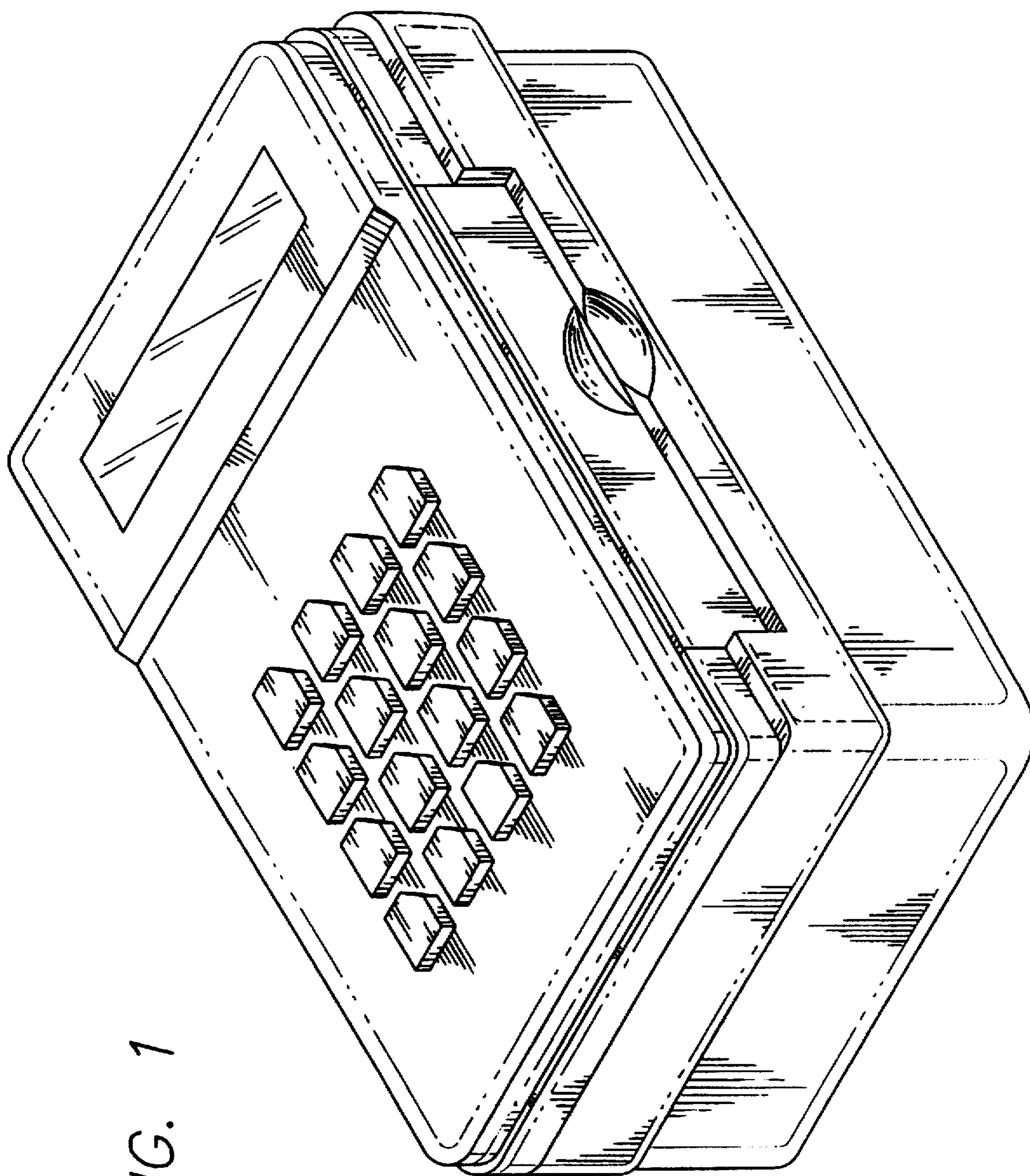


FIG. 1

FIG. 2

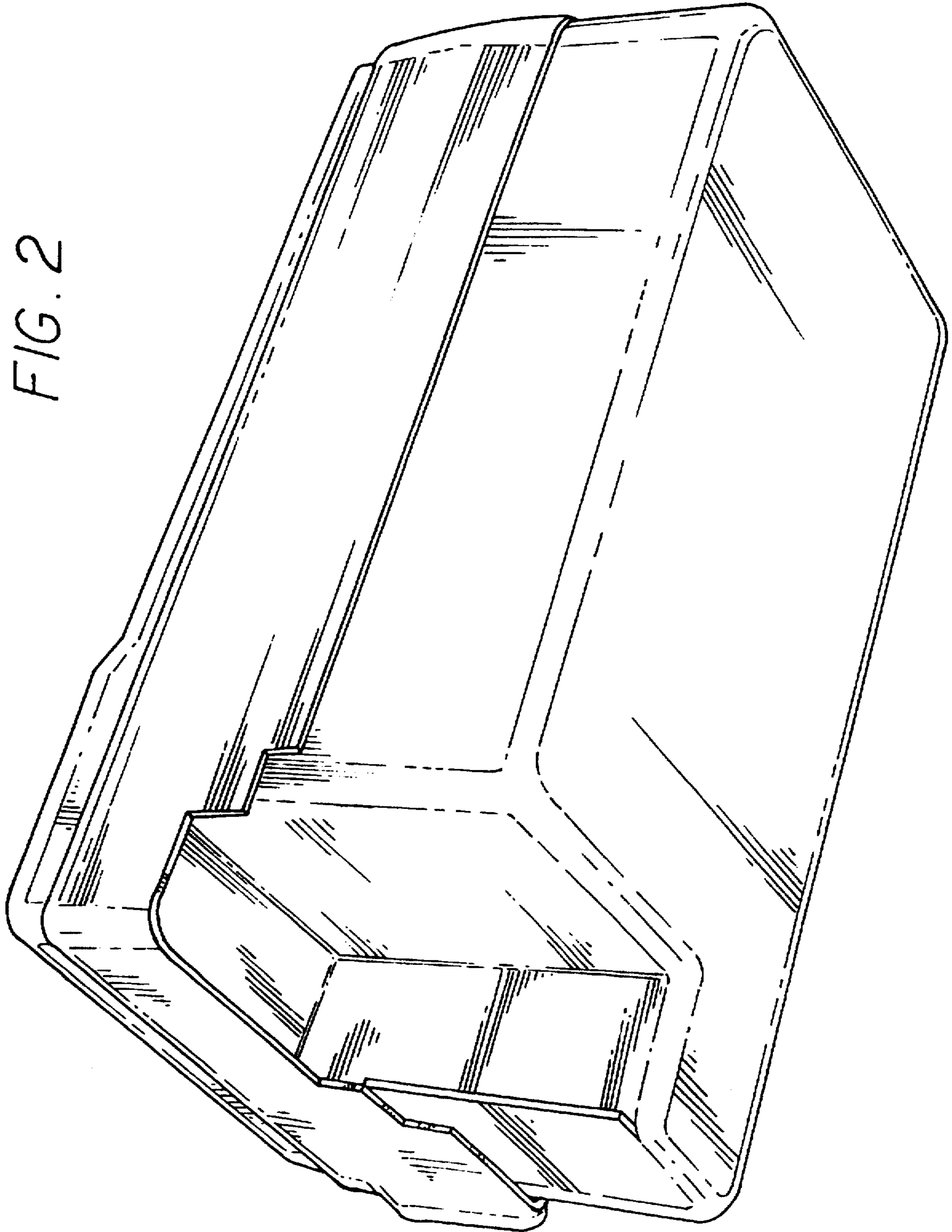




FIG. 3

FIG. 4

