



US00D408375S

**United States Patent** [19]  
**Oba**

[11] **Patent Number:** **Des. 408,375**  
[45] **Date of Patent:** **\*\*Apr. 20, 1999**

[54] **COMPUTER COMBINED WITH TELEPHONE**  
[75] **Inventor:** Haruo Oba, Tokyo, Japan  
[73] **Assignee:** Sony Corporation, Tokyo, Japan  
[\*\*] **Term:** 14 Years

[21] **Appl. No.:** 29/079,162  
[22] **Filed:** Nov. 17, 1997  
[30] **Foreign Application Priority Data**

May 27, 1997 [JP] Japan ..... 9-55590  
[51] **LOC (6) CL** ..... 14-02  
[52] **U.S. Cl.** ..... D14/101; D14/106; D14/144  
[58] **Field of Search** ..... D14/100, 101, D14/106, 113, 144; 345/104, 156, 168, 173, 87, 901-905; 364/708.1

[56] **References Cited**  
**U.S. PATENT DOCUMENTS**  
D. 300,533 4/1989 Oura et al. .... D14/101  
D. 304,932 12/1989 Oura et al. .... D14/101  
D. 377,340 1/1997 Brenner et al. .... D14/100

*Primary Examiner*—Freda Nunn

*Attorney, Agent, or Firm*—Foley & Lardner  
[57] **CLAIM**  
The ornamental design for a computer combined with telephone, as shown and described.

**DESCRIPTION**  
FIG. 1 is a perspective view of a first embodiment of a computer combined with telephone showing my new design;  
FIG. 2 is a top plan view thereof;  
FIG. 3 is a left side elevational view thereof;  
FIG. 4 is a front elevational view thereof;  
FIG. 5 is a bottom plan view thereof;  
FIG. 6 is a right side elevational view thereof;  
FIG. 7 is a rear elevational view thereof;  
FIG. 8 is a perspective view of a second embodiment of a computer combined with telephone showing my new design;  
FIG. 9 is a top plan view thereof;  
FIG. 10 is a left side elevational view thereof;  
FIG. 11 is a front elevational view thereof;  
FIG. 12 is a bottom plan view thereof;  
FIG. 13 is a right side elevational view thereof; and,  
FIG. 14 is a rear elevational view thereof.

**1 Claim, 6 Drawing Sheets**

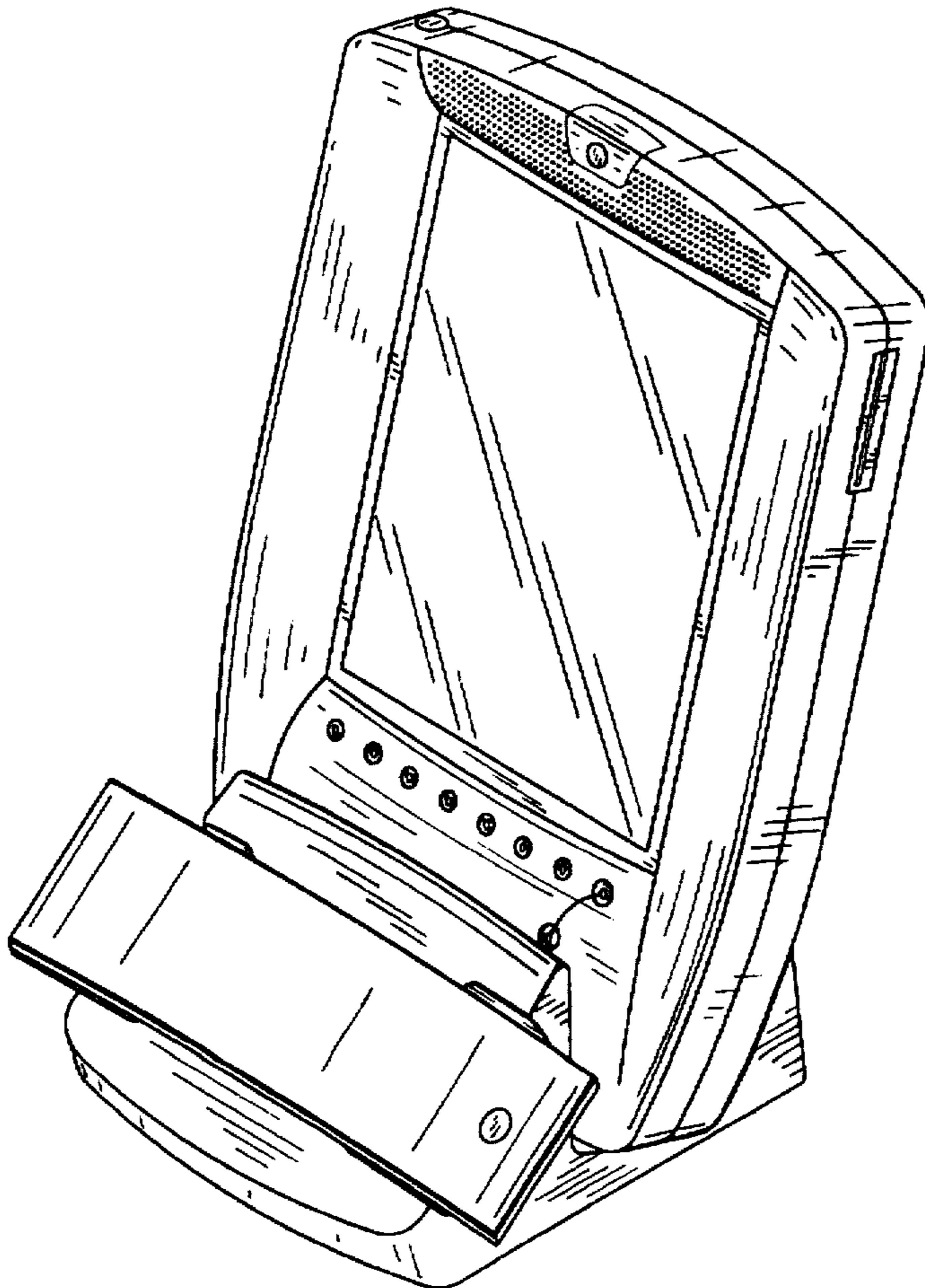


FIG. 1

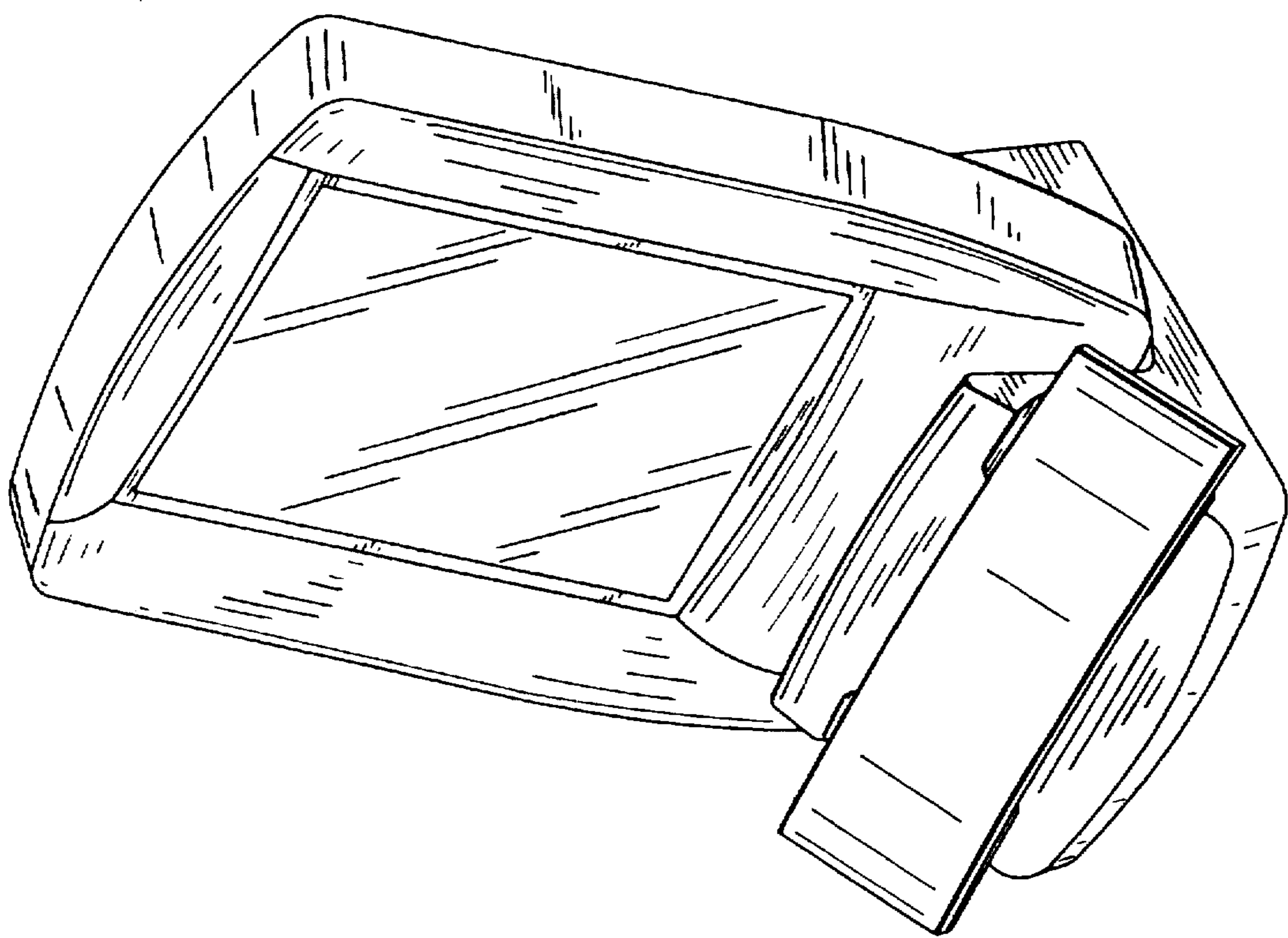


FIG. 2

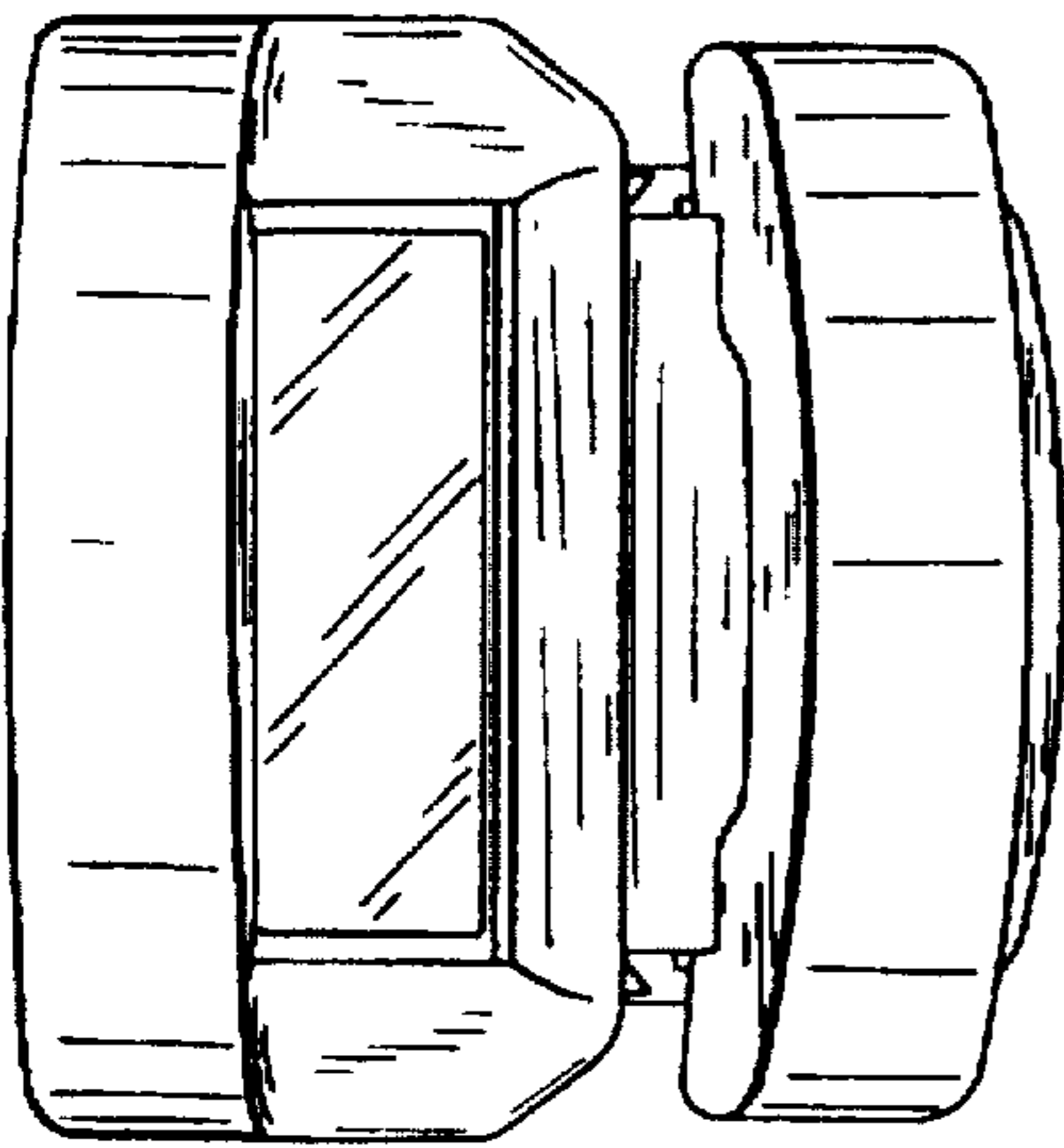


FIG. 4

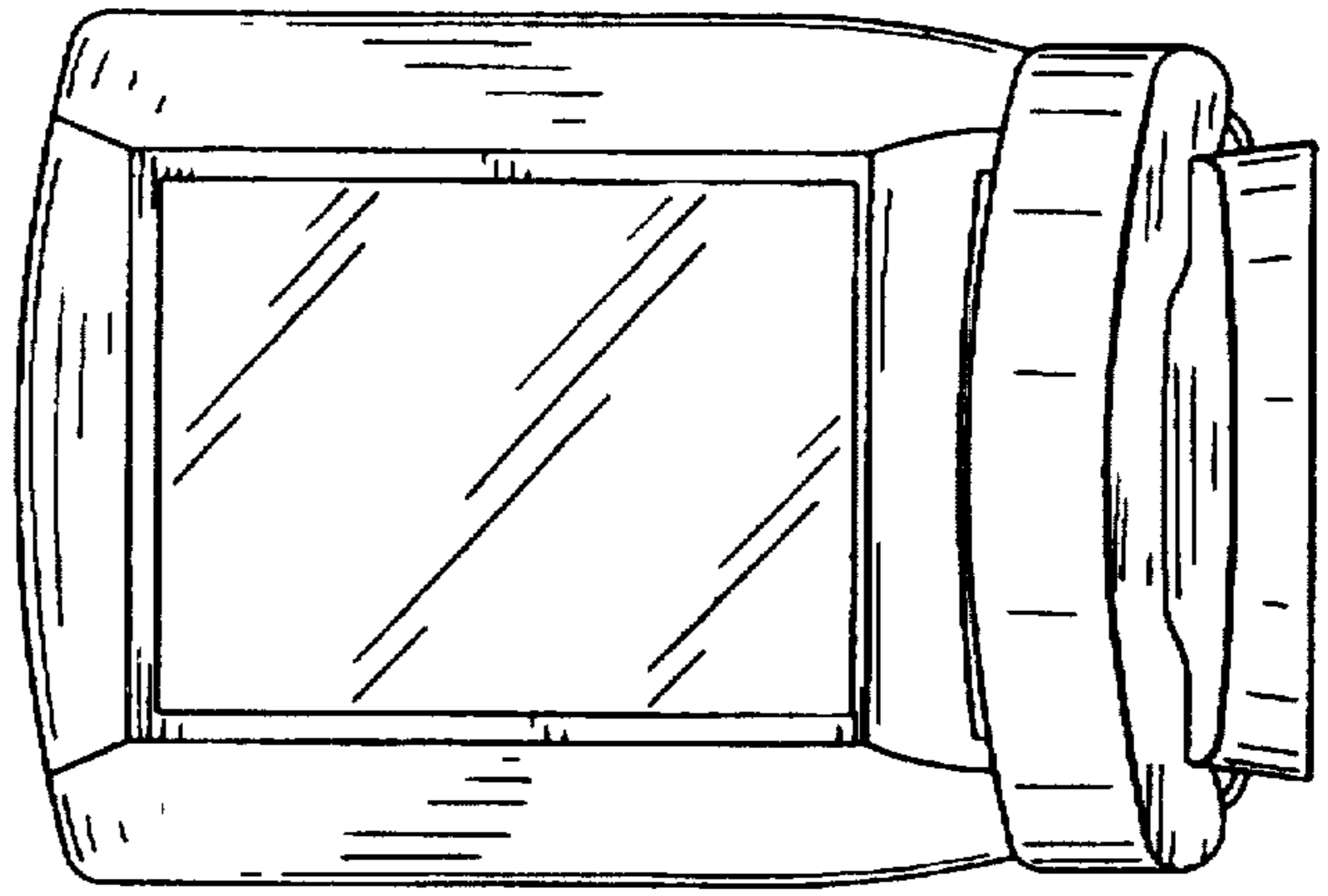


FIG. 3

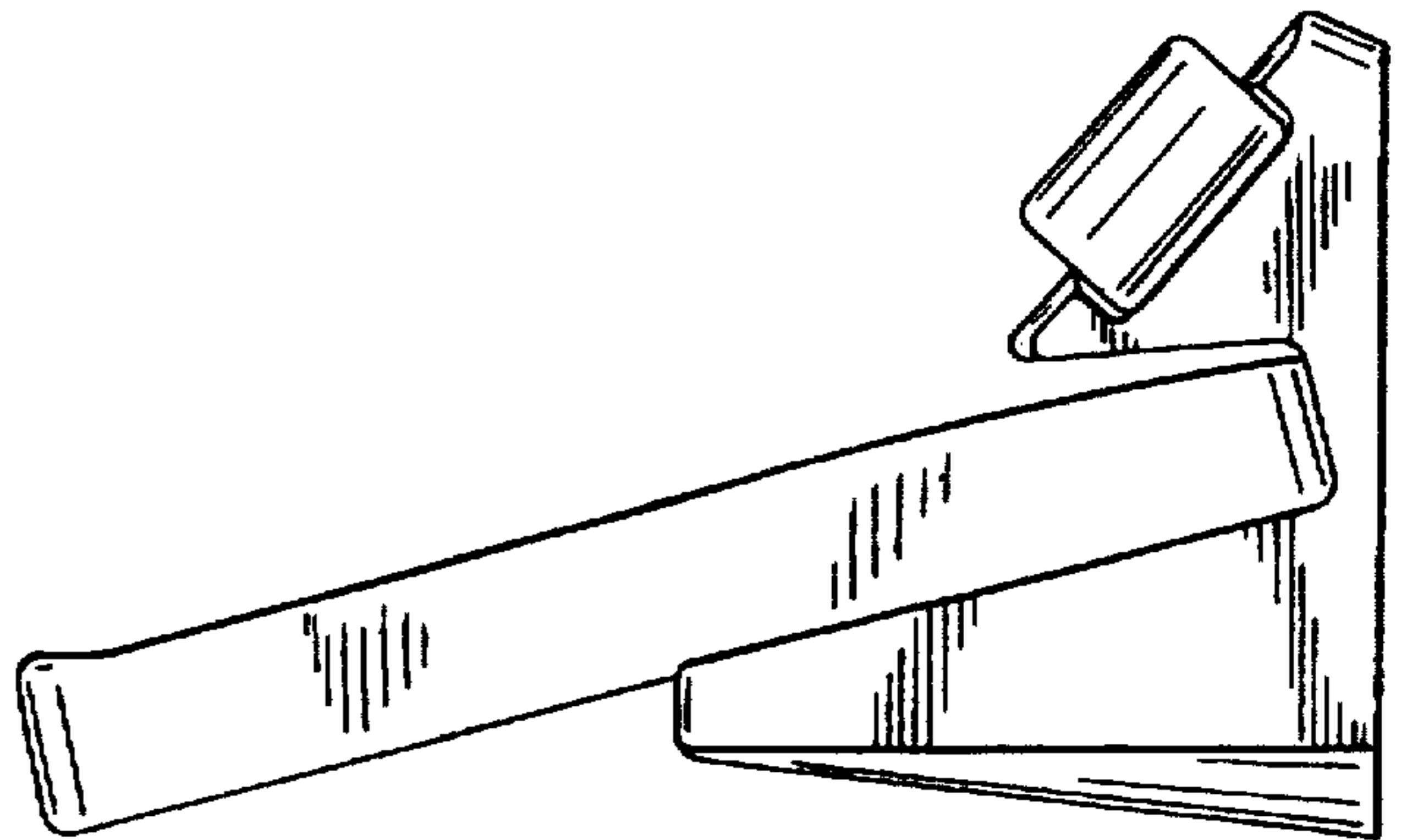


FIG. 7

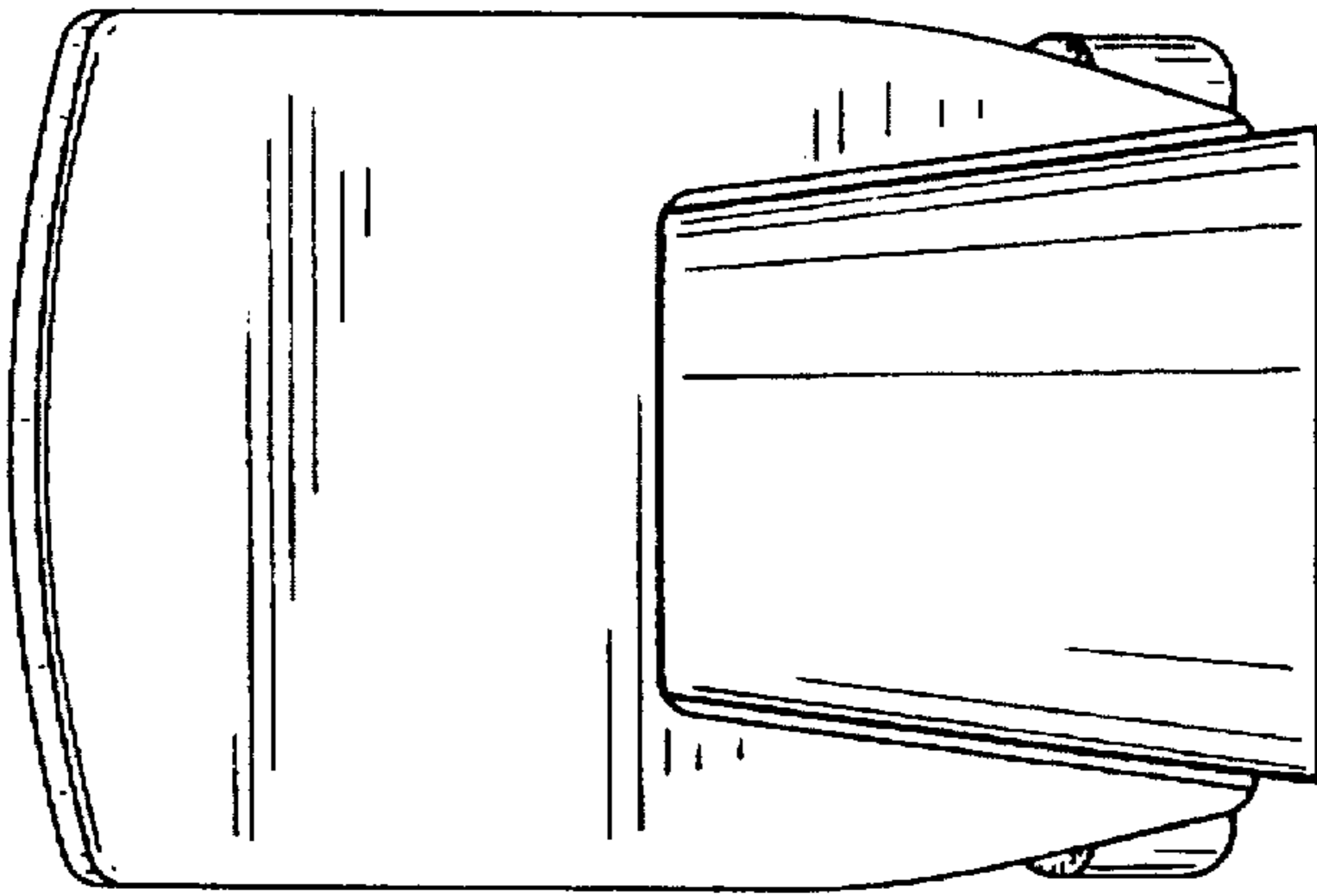


FIG. 5

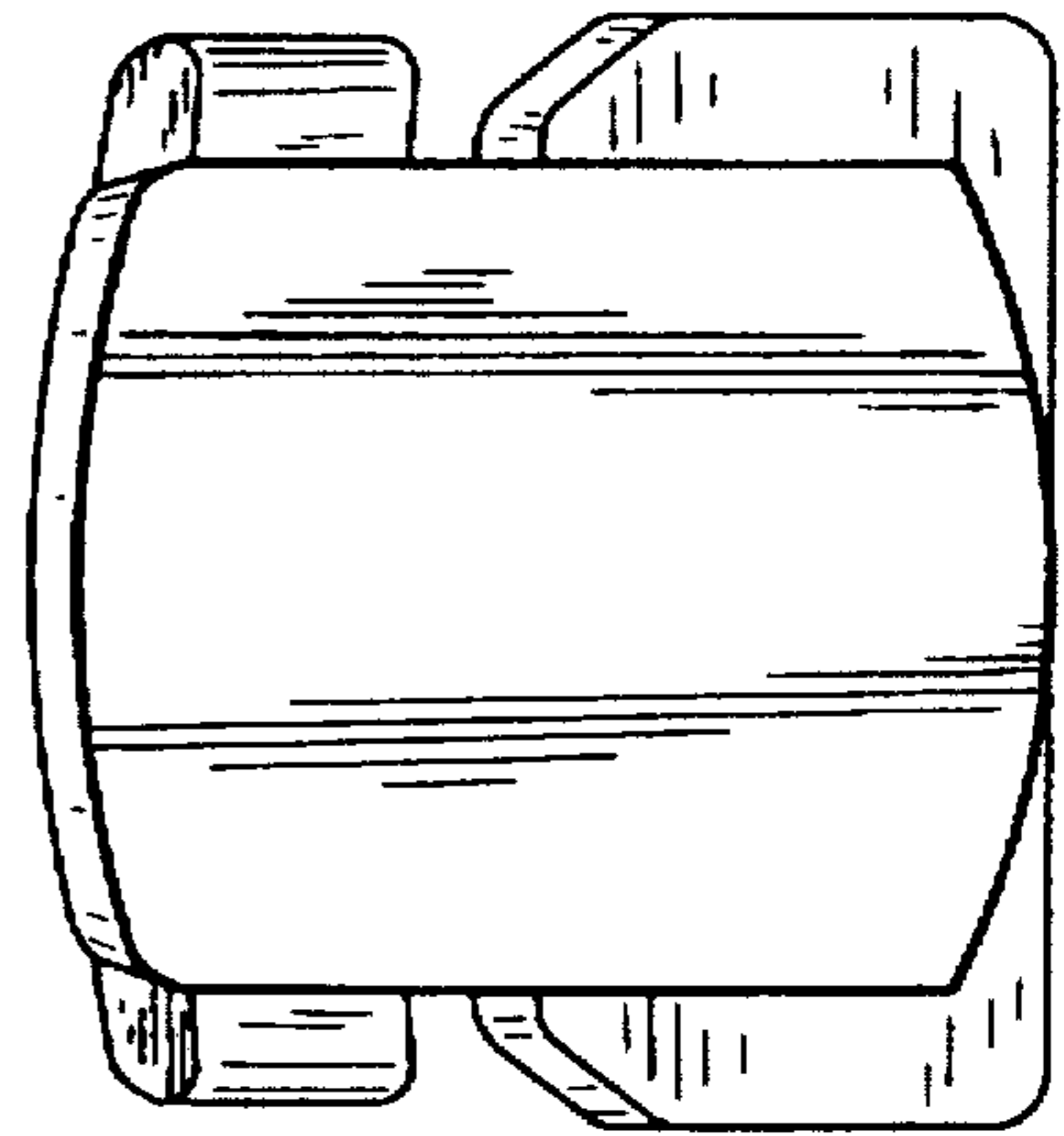


FIG. 6

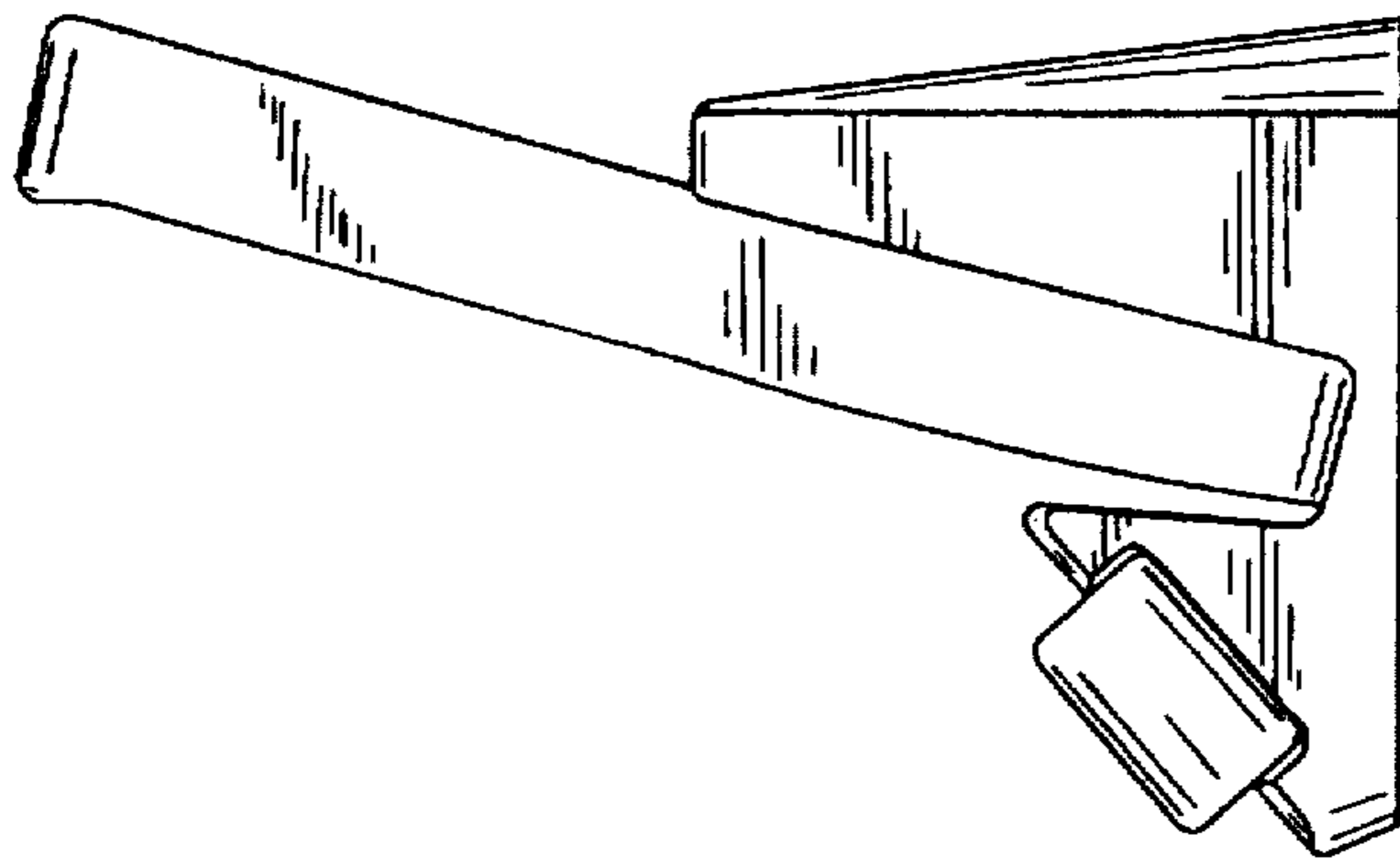


FIG. 8

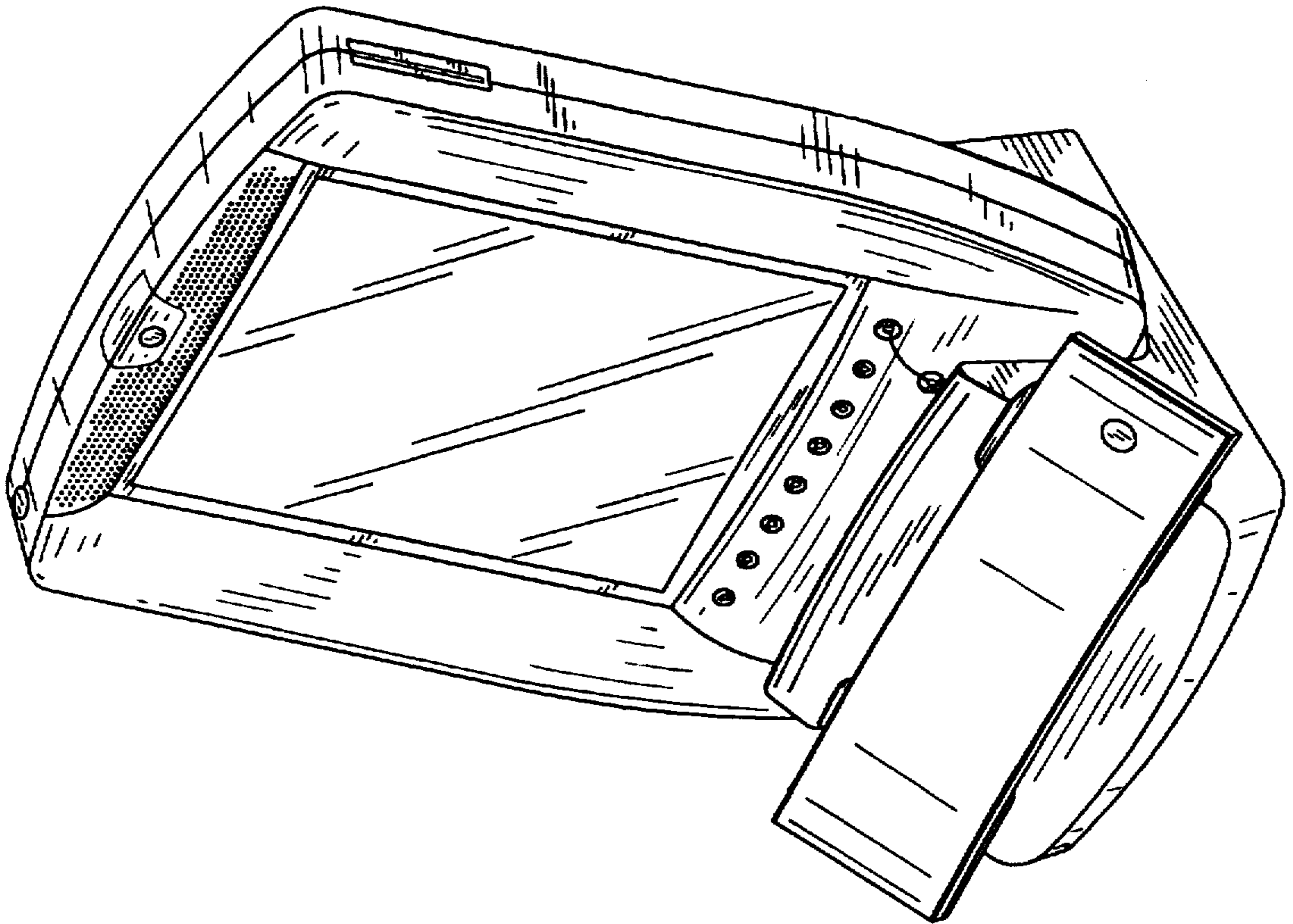


FIG. 9

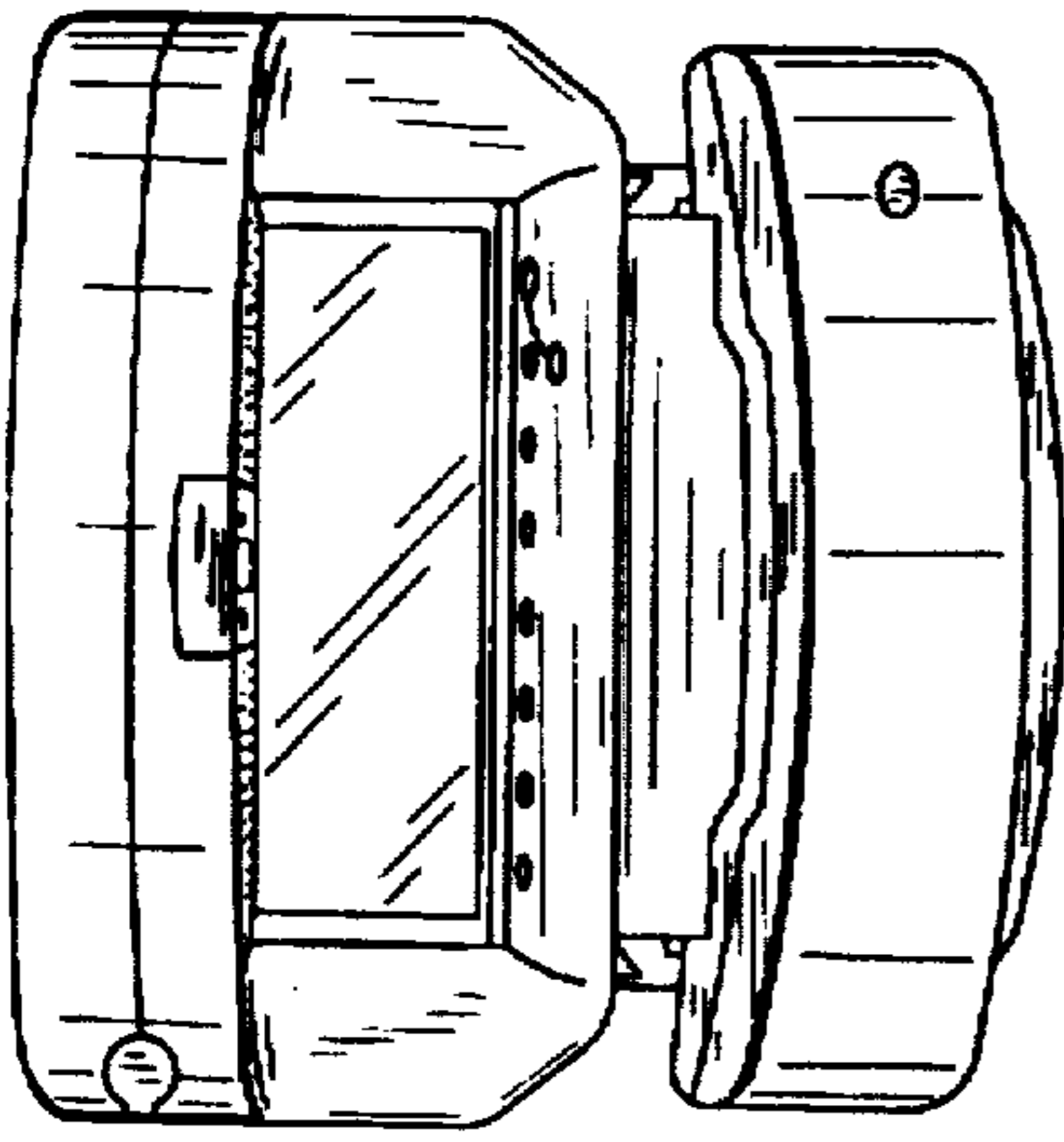


FIG. 11

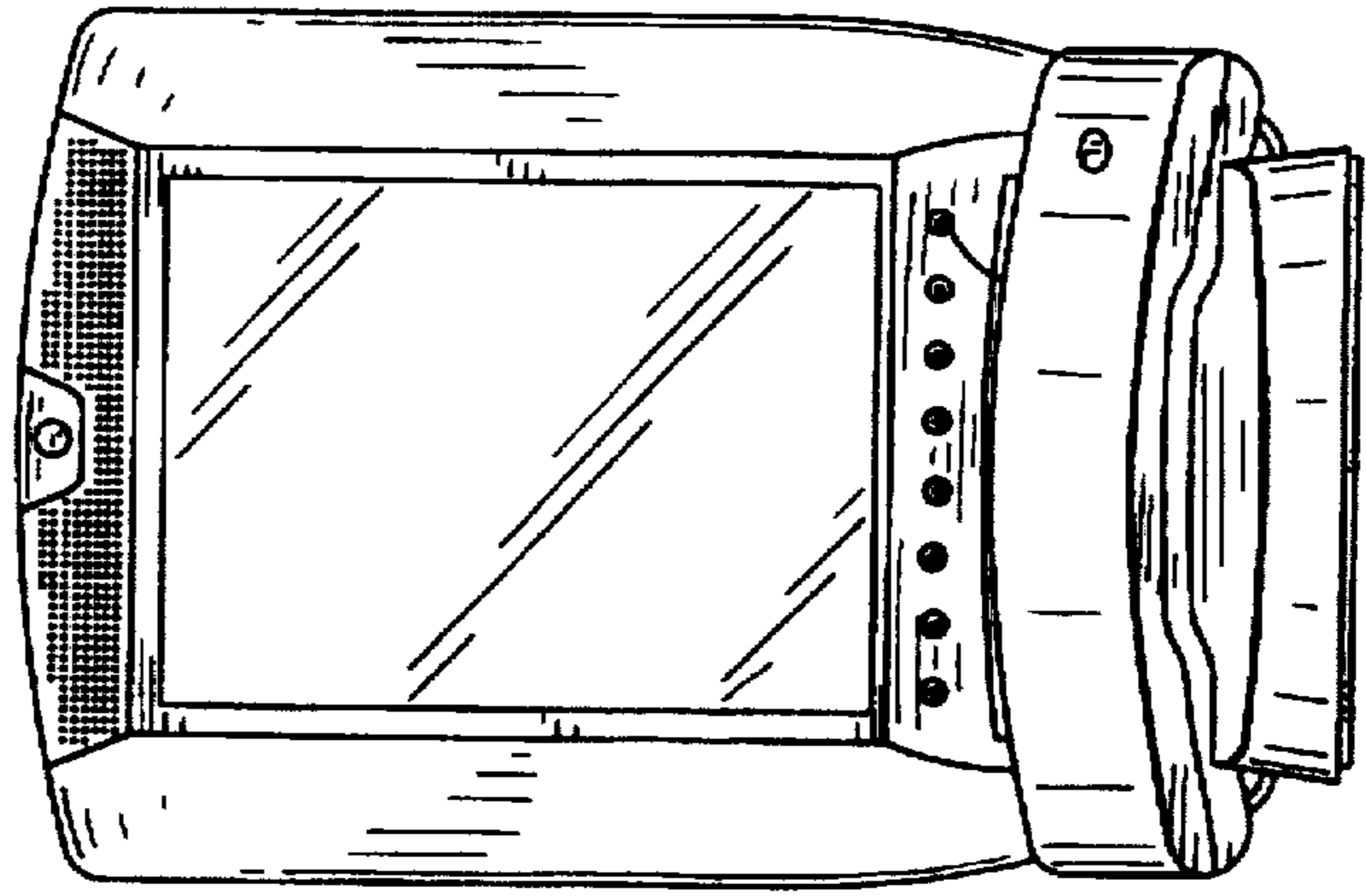


FIG. 10

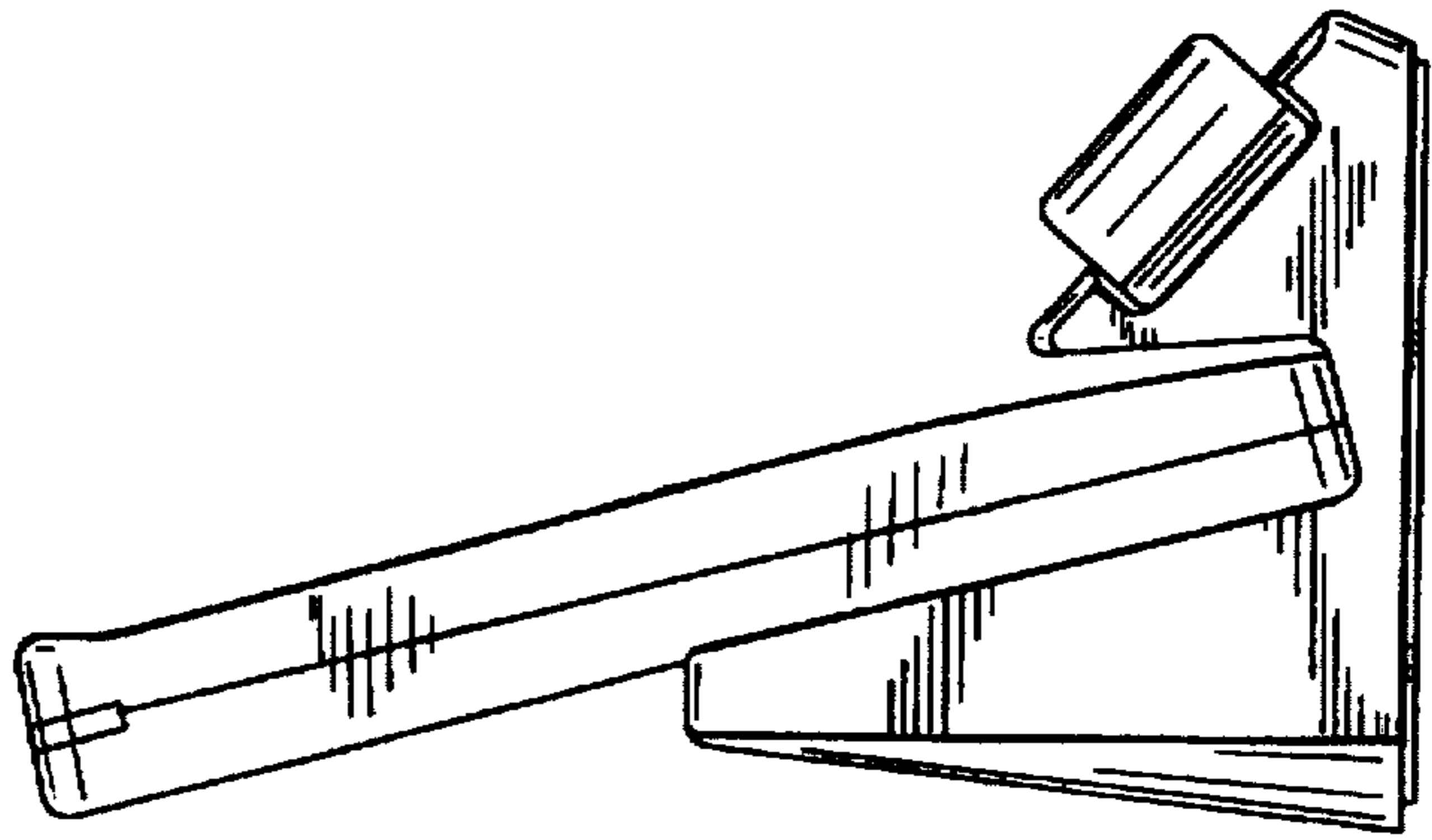


FIG. 14

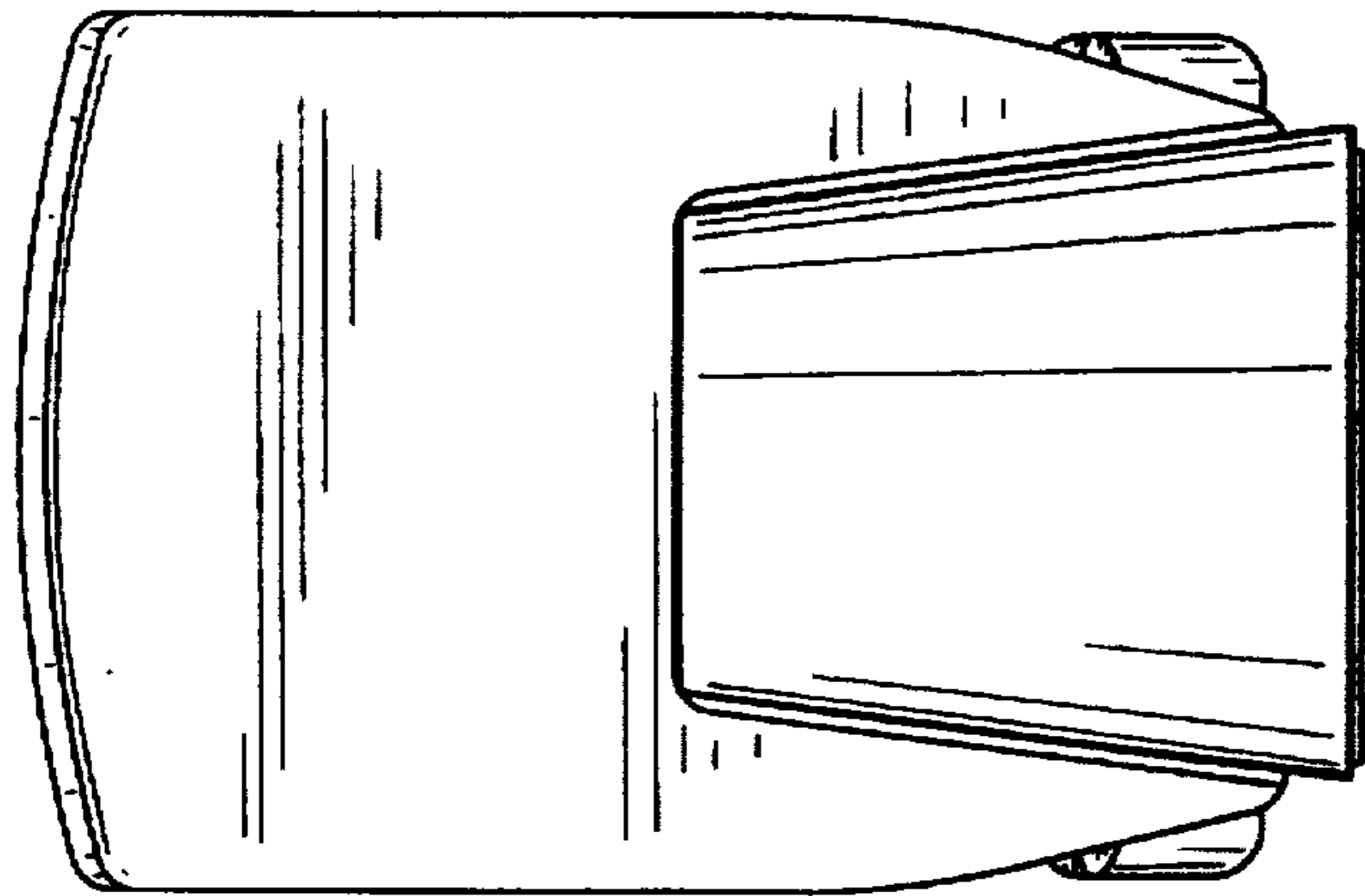


FIG. 12

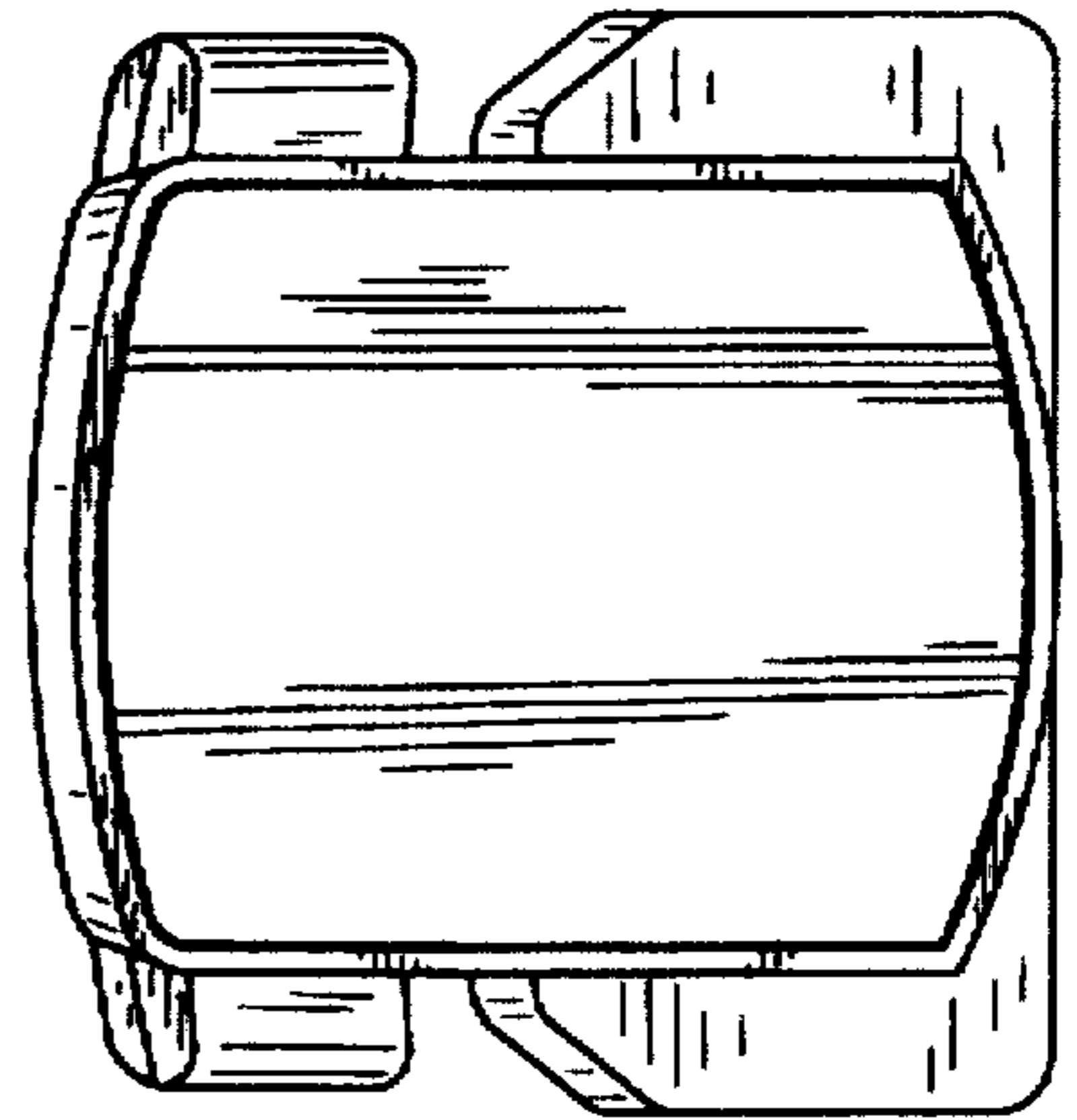


FIG. 13

