



US00D408373S

United States Patent [19]
Johnson

[11] **Patent Number: Des. 408,373**

[45] **Date of Patent: **Apr. 20, 1999**

[54] **COMPUTER CHASSIS**

[75] **Inventor: Terry W. Johnson, Decatur, Ala.**

[73] **Assignee: Intergraph Corporation, Huntsville, Ala.**

[**] **Term: 14 Years**

[21] **Appl. No.: 29/084,114**

[22] **Filed: Feb. 24, 1998**

[51] **LOC (6) Cl. 14-02**

[52] **U.S. Cl. D14/100; D14/102; D14/109**

[58] **Field of Search D14/100, 102, D14/107-109; D13/162, 184, 199; D6/432, 436, 445, 448; 312/208.1; 360/99.12; 361/690-696; 369/34, 36**

[56] **References Cited**

U.S. PATENT DOCUMENTS

- D. 379,800 6/1997 Sollie et al. D14/100
- D. 384,943 10/1997 Brezovar D14/100

Primary Examiner—Freda Nunn
Attorney, Agent, or Firm—Bromberg & Sunstein LLP

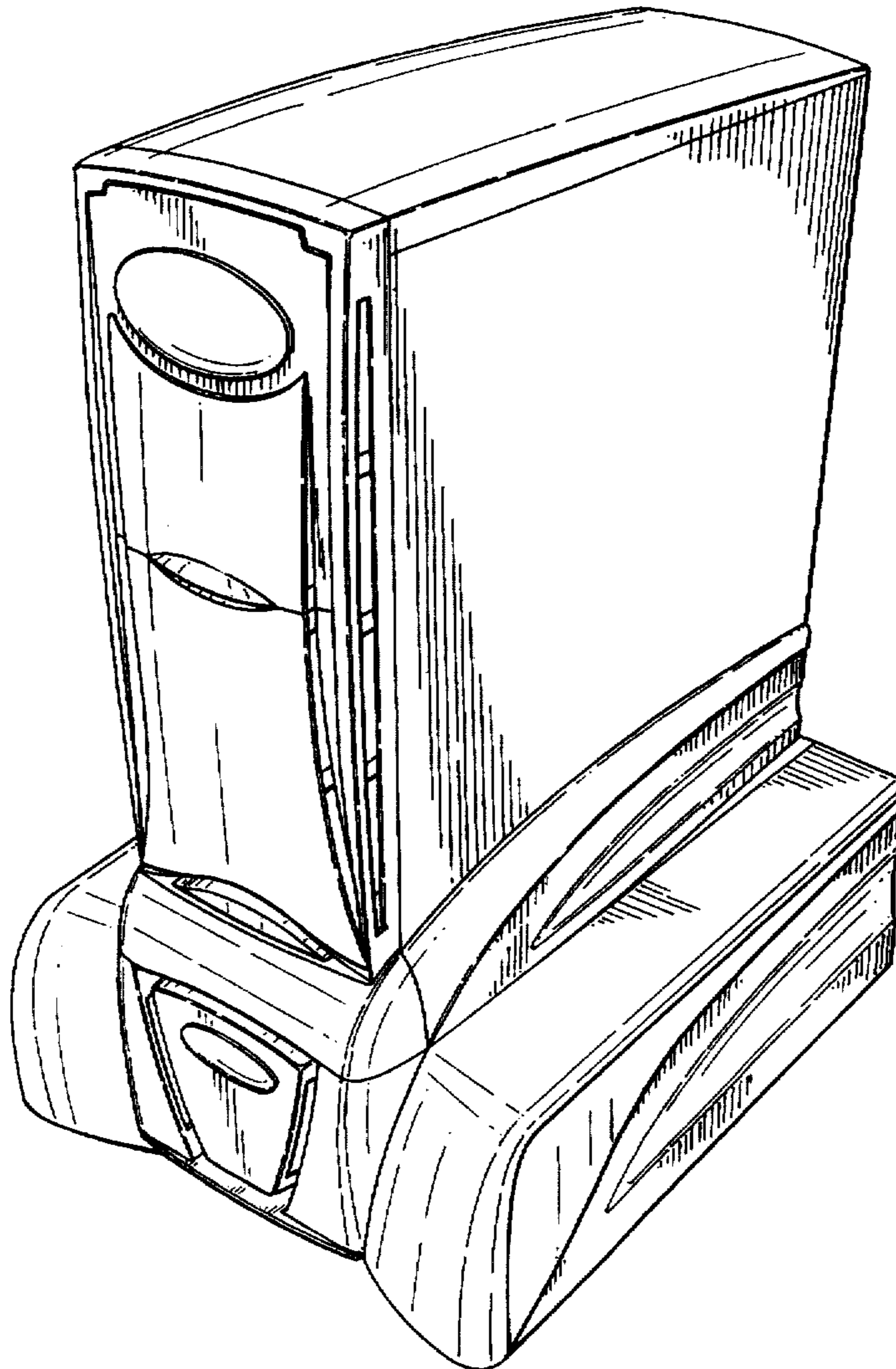
[57] **CLAIM**

I claim the ornamental design for a computer chassis, as shown and described.

DESCRIPTION

FIG. 1 is a perspective view of a computer chassis in accordance with the present invention;
 FIG. 2 is a front view of the computer chassis shown in FIG. 1;
 FIG. 3 is a left side view of the computer chassis shown in FIG. 1;
 FIG. 4 is a rear view of the computer chassis shown in FIG. 1;
 FIG. 5 is a right side view of the computer chassis shown in FIG. 1;
 FIG. 6 is a top view of the computer chassis shown in FIG. 1; and,
 FIG. 7 is a bottom view of the computer chassis shown in FIG. 1.

1 Claim, 6 Drawing Sheets



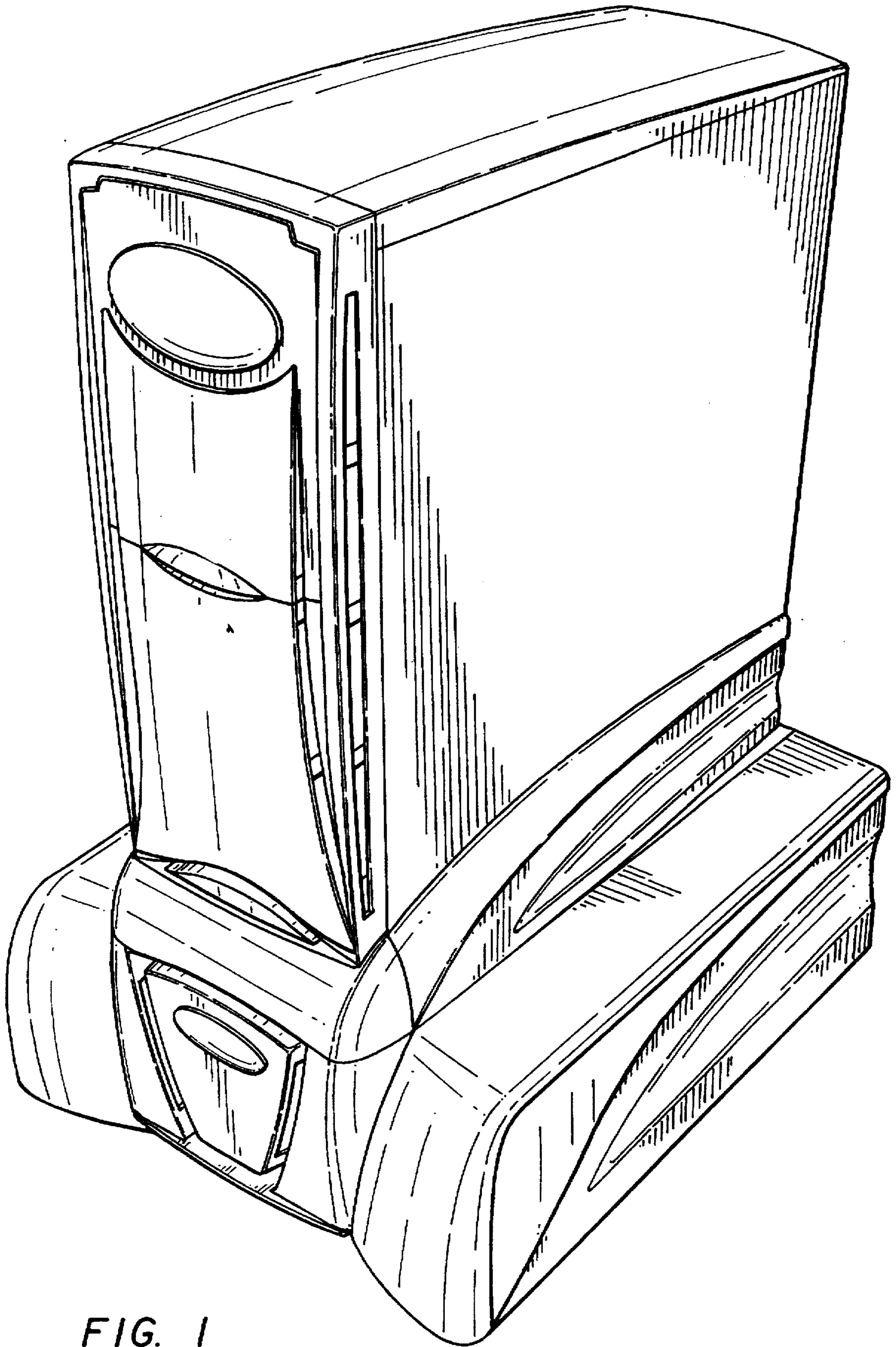


FIG. 1

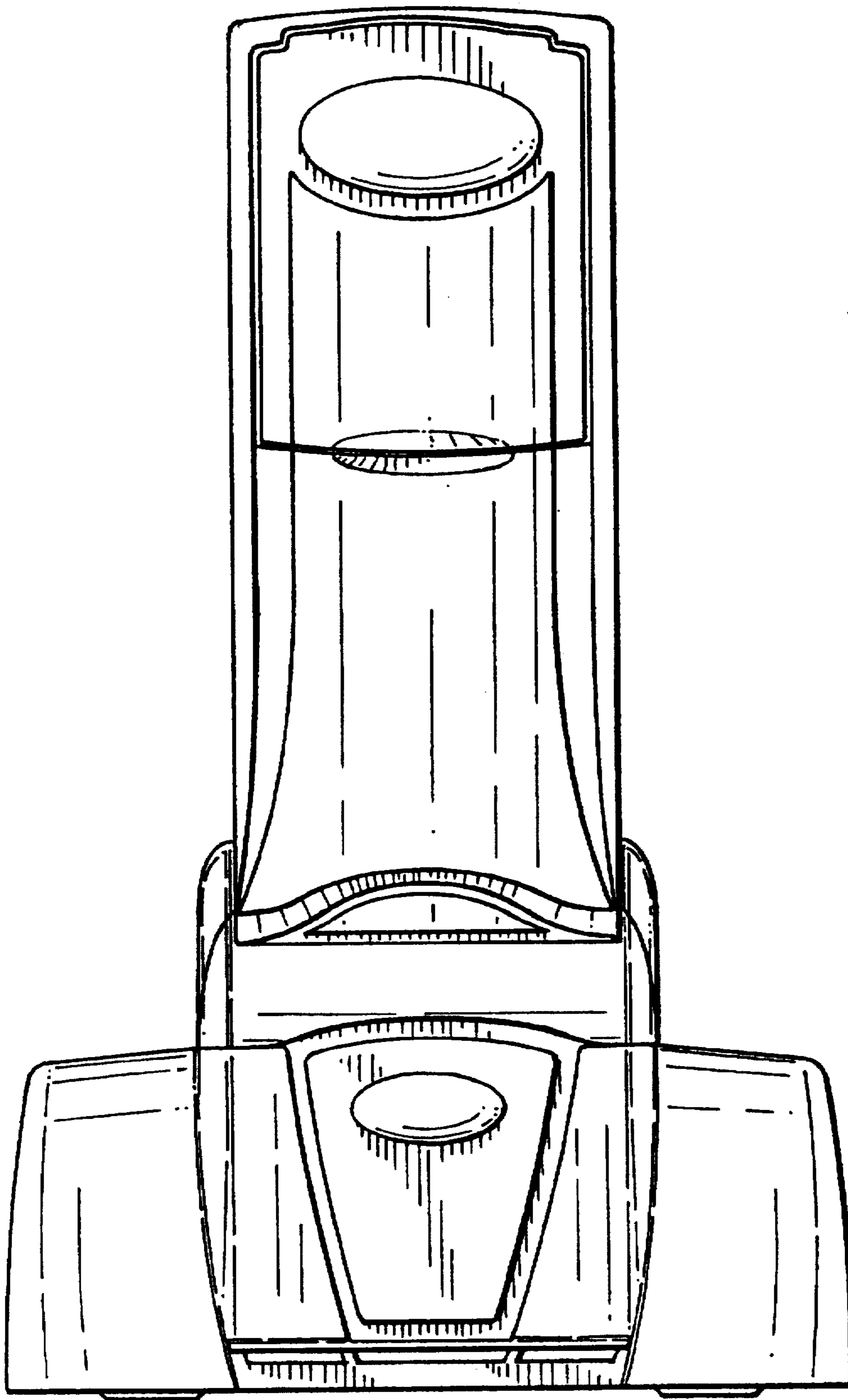


FIG. 2

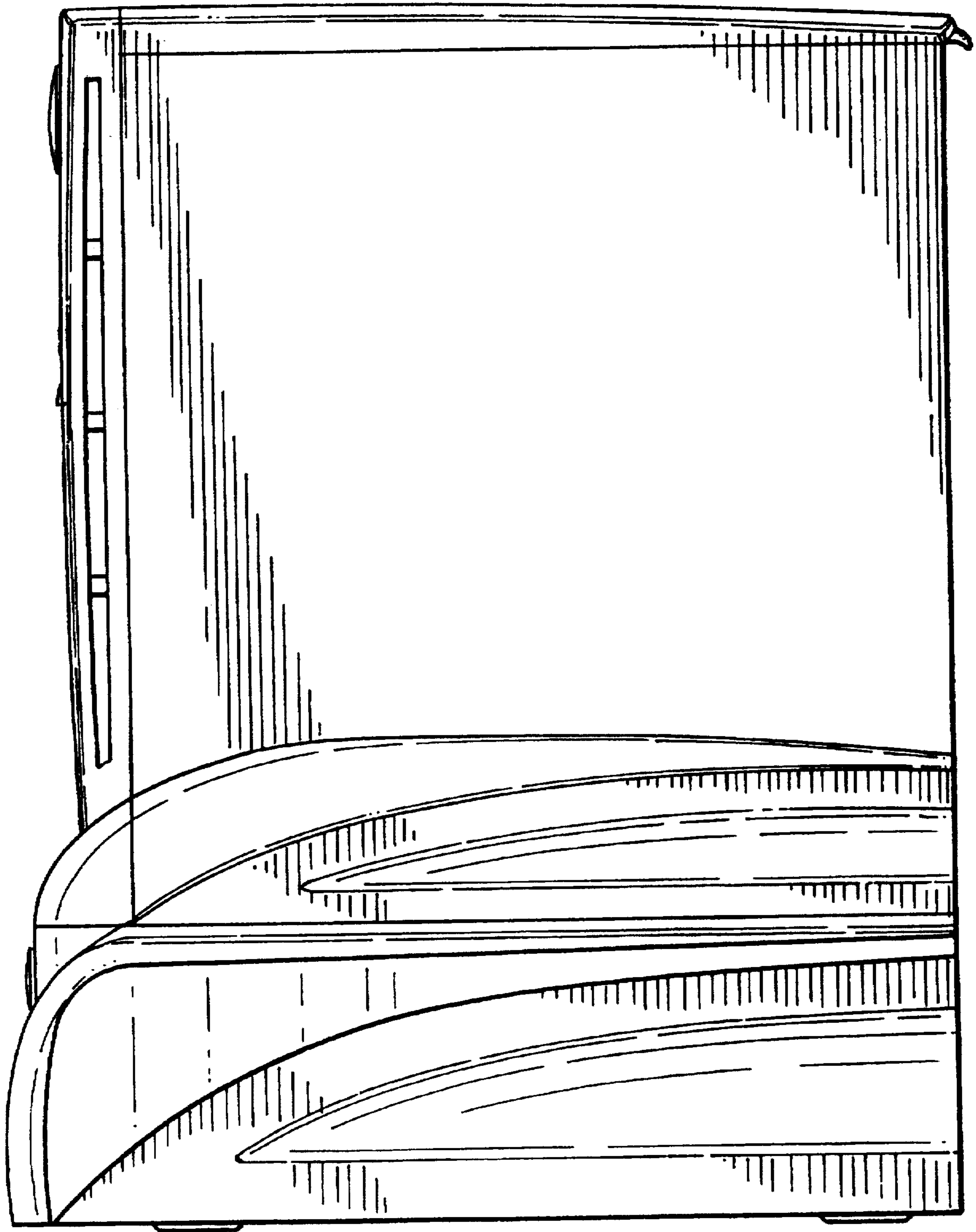


FIG. 3

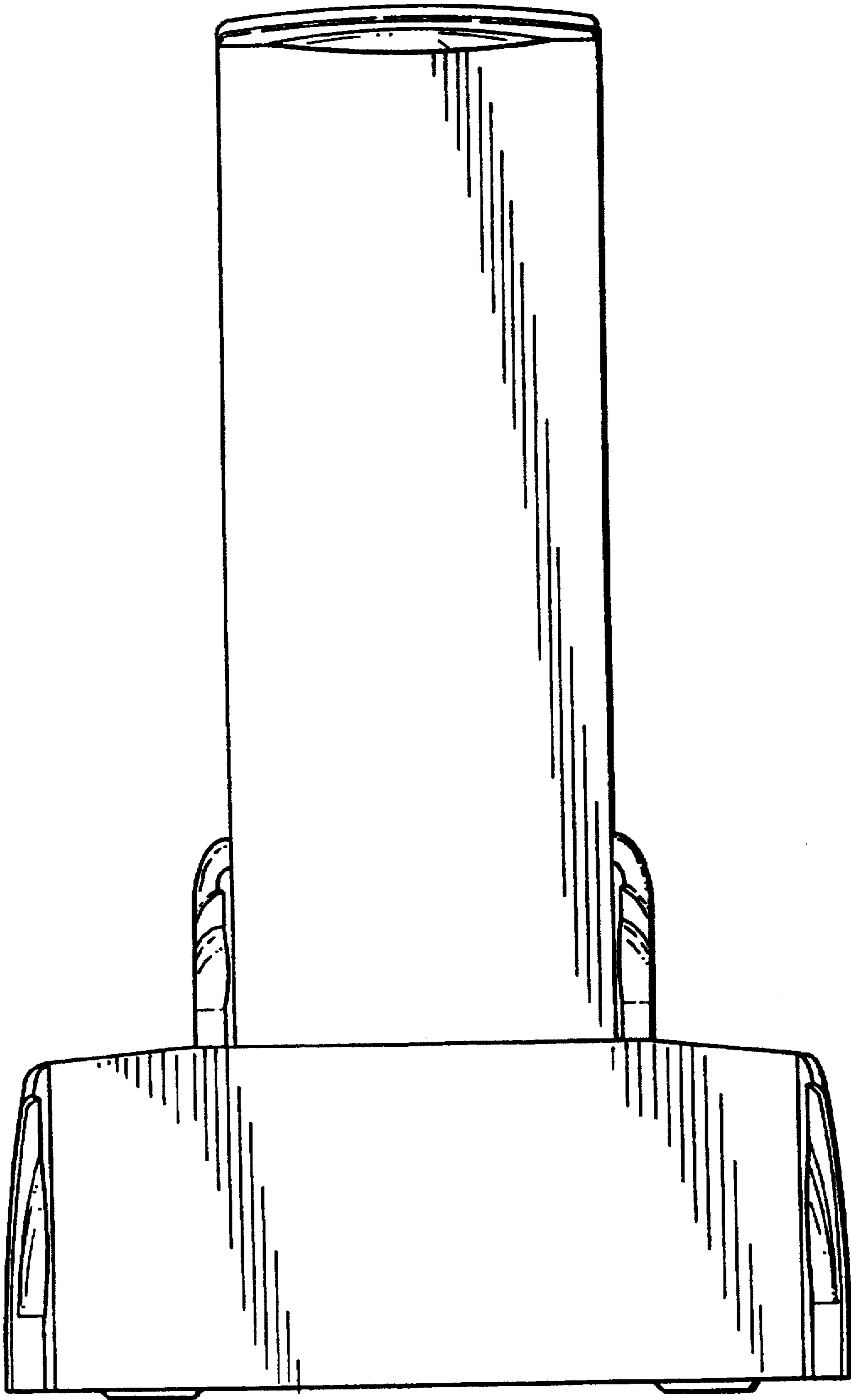


FIG. 4

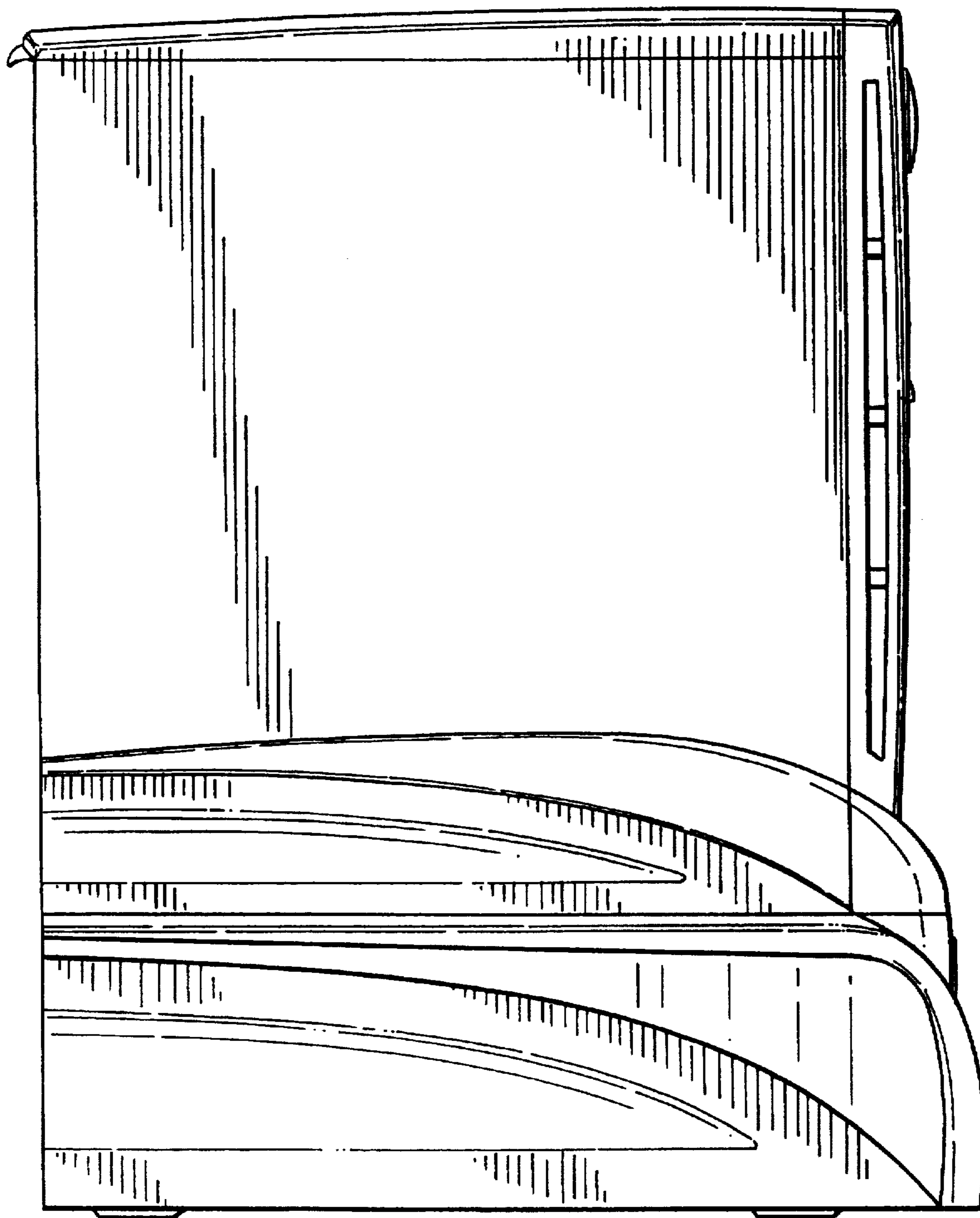


FIG. 5

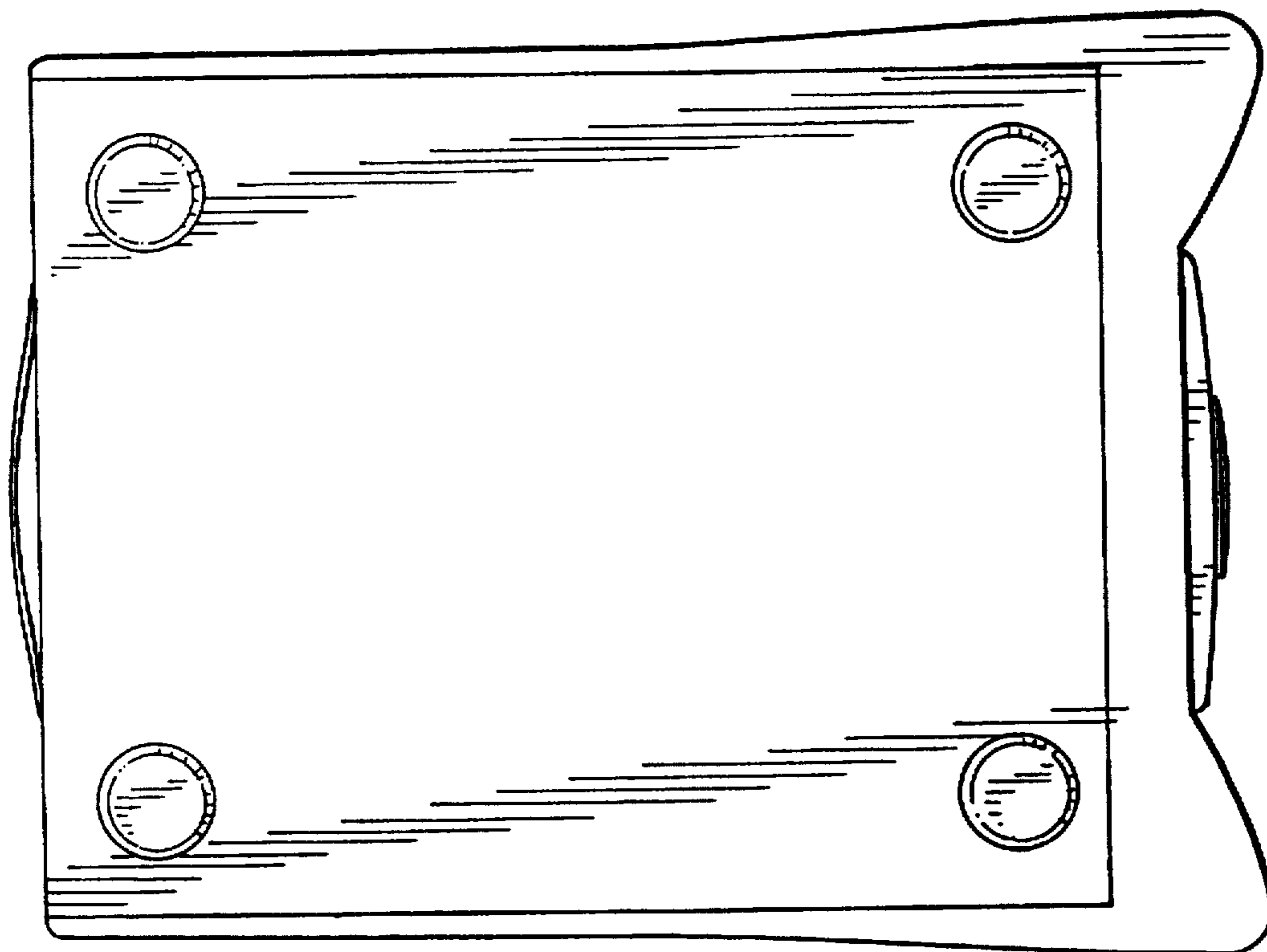


FIG. 7

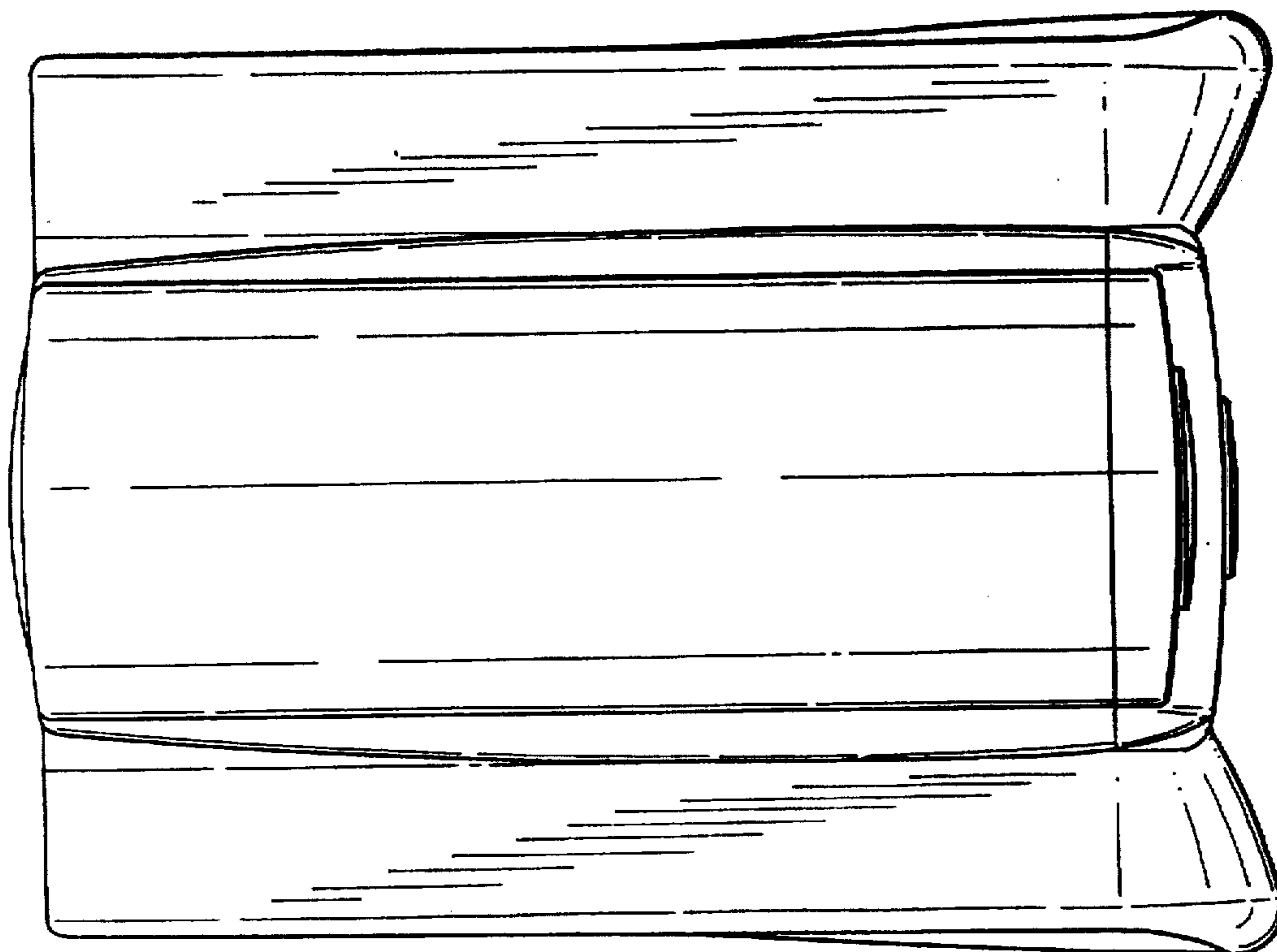


FIG. 6