



US00D408368S

# United States Patent [19]

Awbrey et al.

[11] Patent Number: Des. 408,368

[45] Date of Patent: \*\*Apr. 20, 1999

[54] FUSE BLOCK

4,268,106 5/1981 Moerre ..... 439/621

[75] Inventors: Jerry Awbrey, Winder; Michael Dewayne Brown, Bethlehem, both of Ga.

Primary Examiner—Alan P. Douglas  
Assistant Examiner—Lavone D. Tabor  
Attorney, Agent, or Firm—Thomas, Kayden, Horstemeyer & Risley

[73] Assignee: Esoteric Audio U.S.A., Inc., Winder, Ga.

[57] CLAIM

[\*\*] Term: 14 Years

The ornamental design for a fuse block, as shown and described.

[21] Appl. No.: 29/081,854

### DESCRIPTION

[22] Filed: Jan. 9, 1998

FIG. 1 is a perspective view of a fuse block in accordance with the present invention;

[51] LOC (6) Cl. .... 13-03

[52] U.S. Cl. .... D13/178; D13/161

FIG. 2 is a bottom view of the fuse block shown in FIG. 1; FIG. 3 is a left side end view of the fuse block shown in FIG. 1;

[58] Field of Search ..... D13/133, 146, D13/147, 151, 160, 161, 178, 152; 337/181, 186-189, 194-196, 205, 213; 439/621, 622, 698; 361/642, 833, 834

FIG. 4 is a right side view of the fuse block shown in FIG. 1;

### [56] References Cited

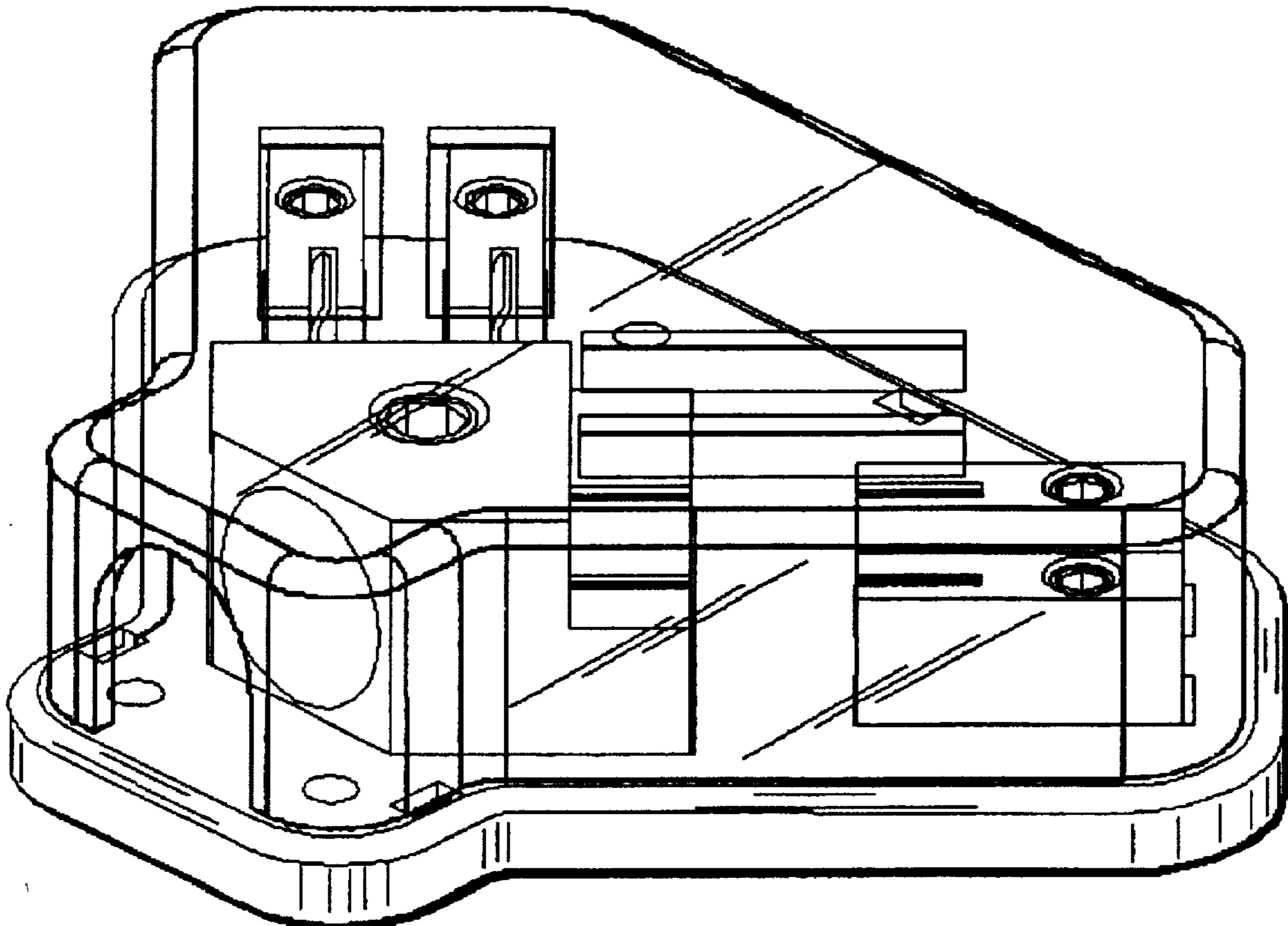
#### U.S. PATENT DOCUMENTS

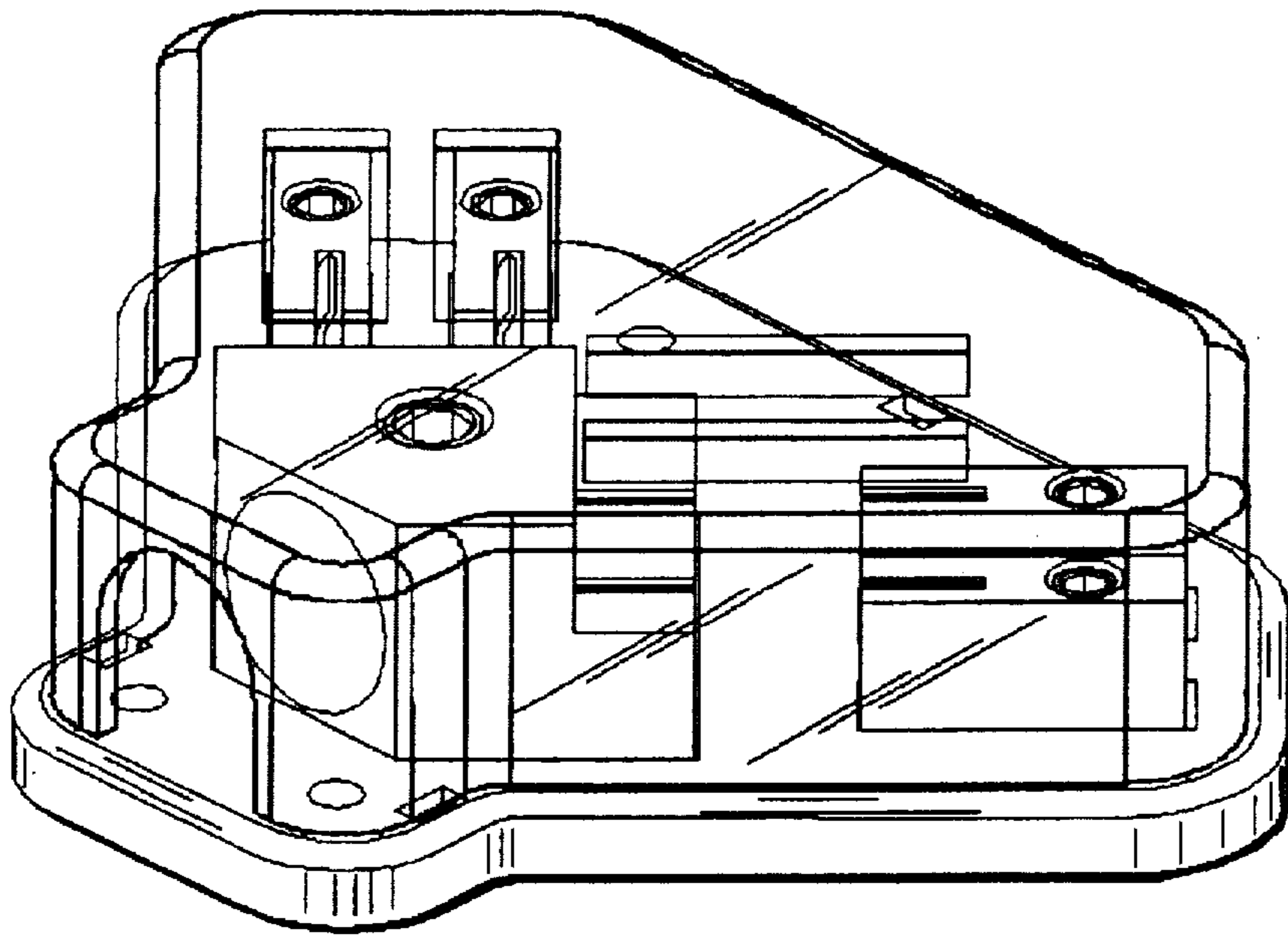
D. 215,545 10/1969 Huska ..... D13/133  
1,856,423 5/1932 Olley ..... 361/833  
2,528,989 11/1950 Ammells ..... D13/152 X

FIG. 5 is a top view of the fuse block shown in FIG. 1; FIG. 6 is a front view of the fuse block shown in FIG. 1; and, FIG. 7 is a rear view of the fuse block shown in FIG. 1.

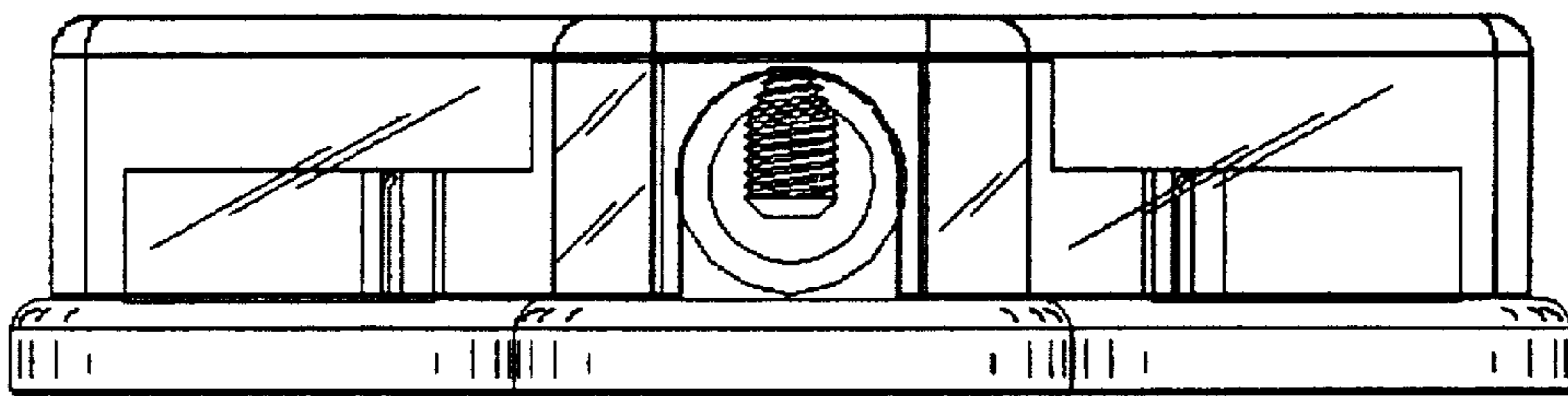
The fuse block illustrated in the drawings includes a clear plastic cover that substantially encases the fuse area. This cover is illustrated by the shadowed lines in the drawings.

1 Claim, 3 Drawing Sheets

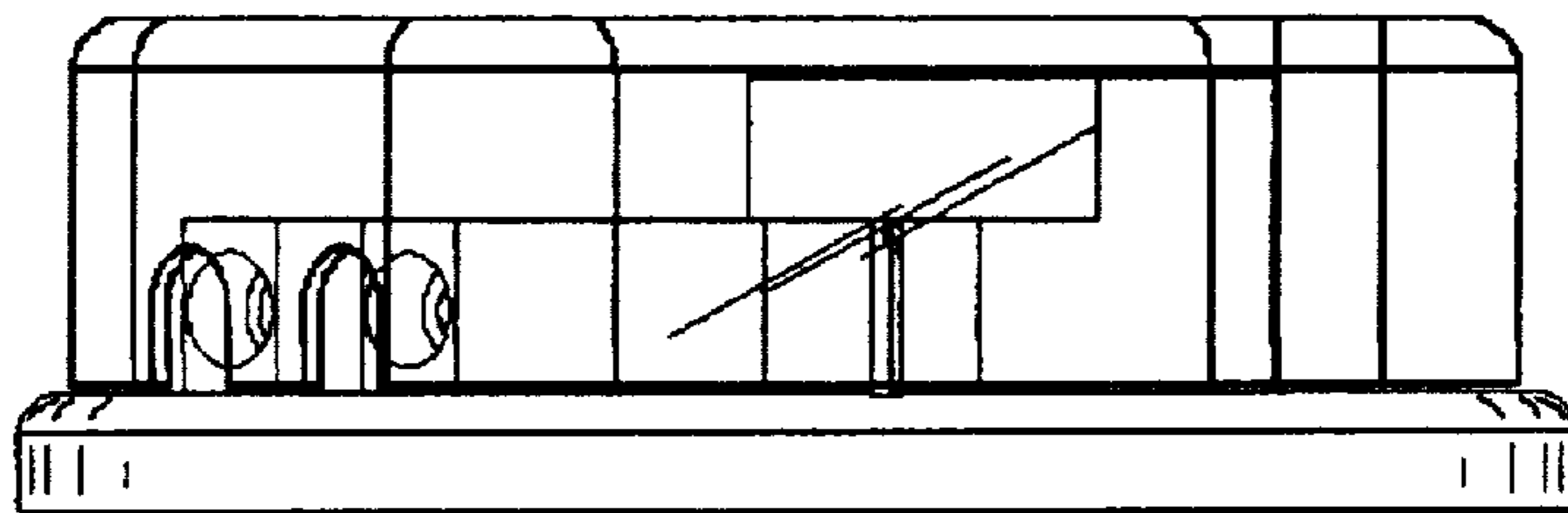




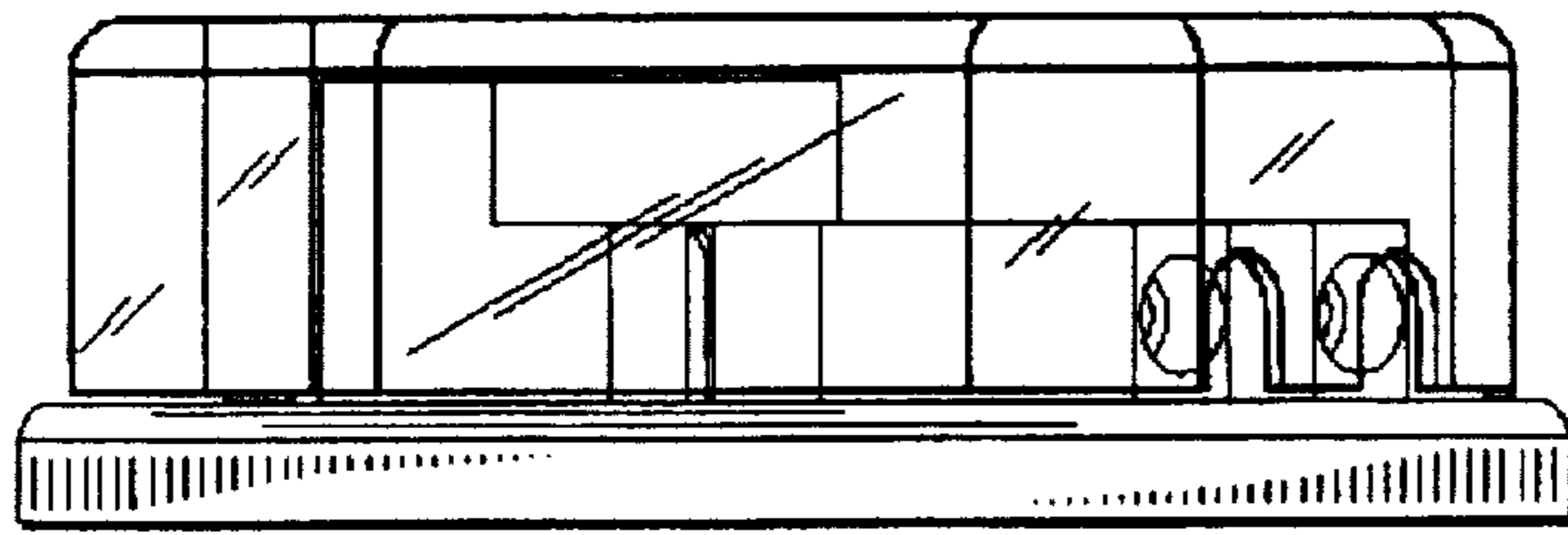
**FIG. 1**



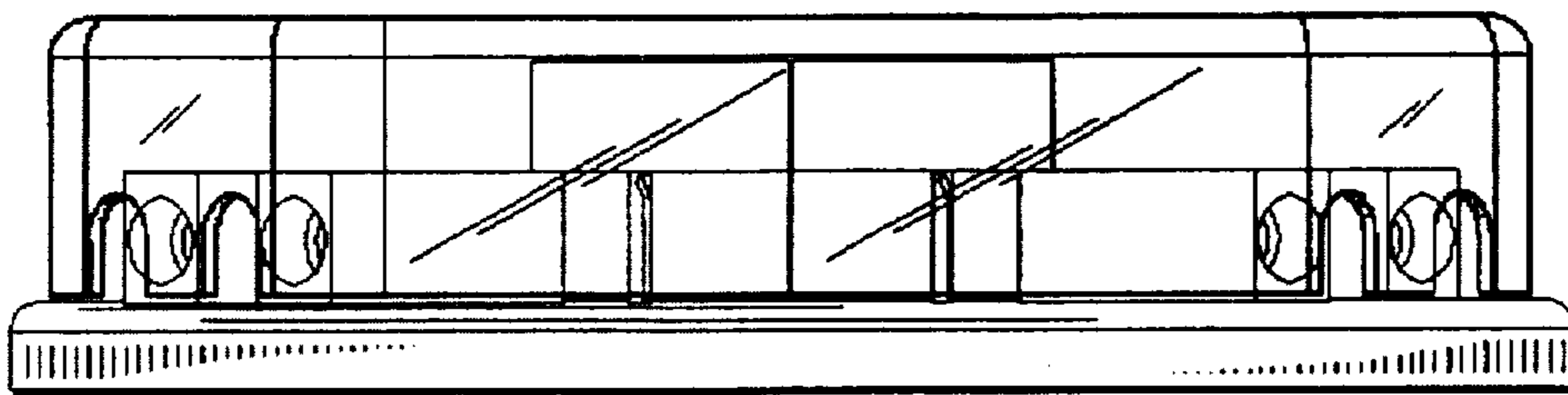
**FIG. 2**



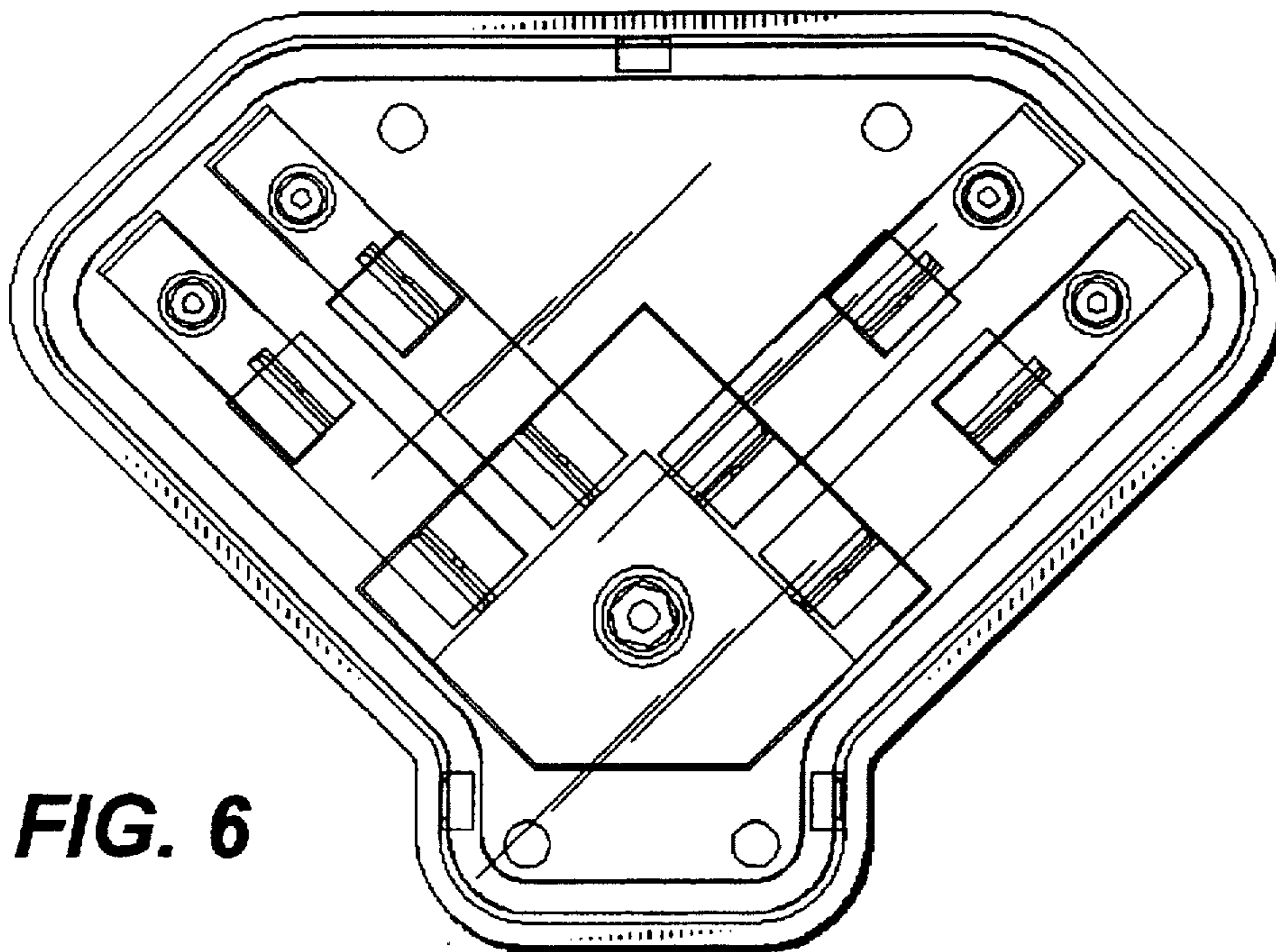
**FIG. 3**



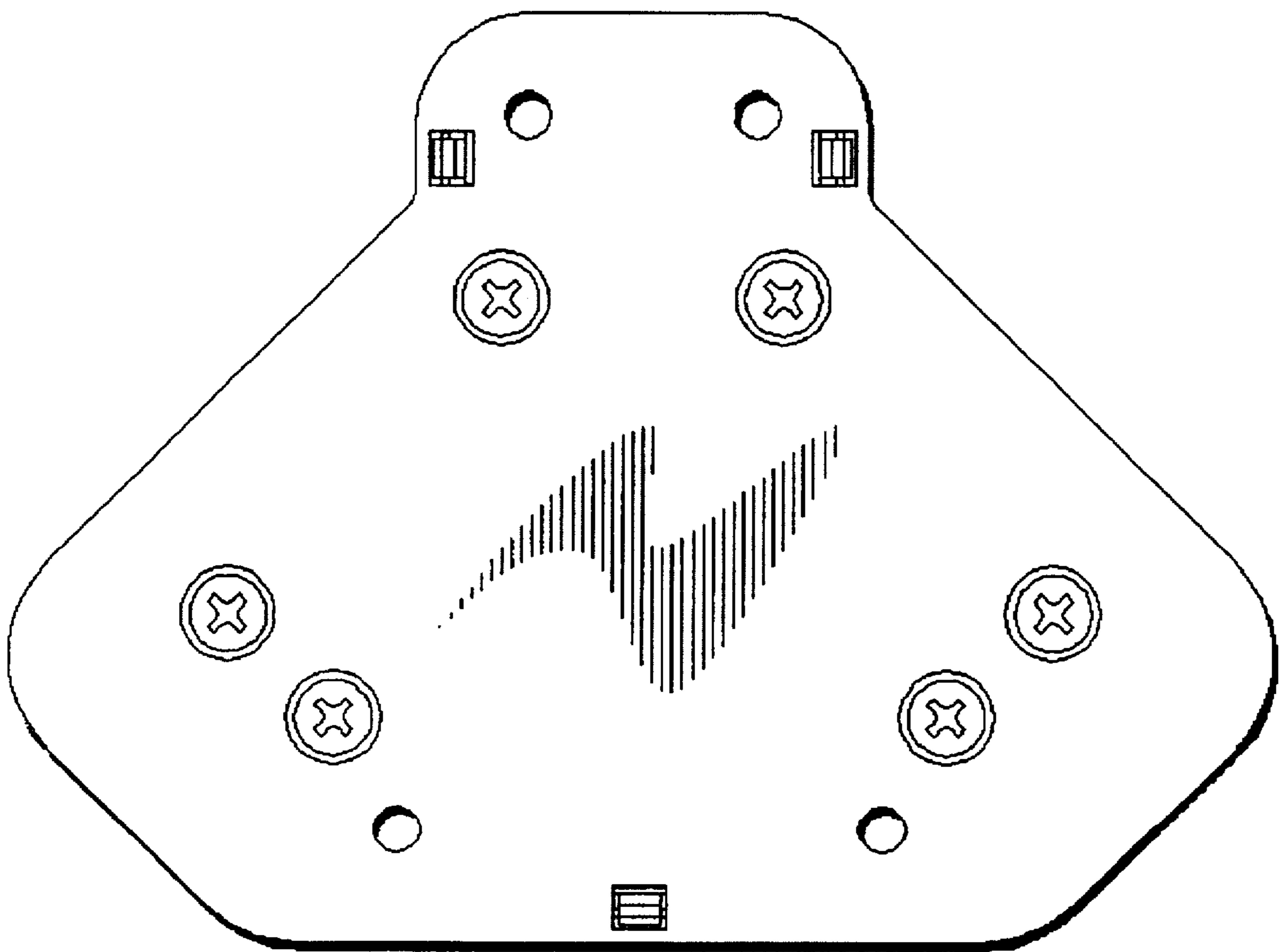
**FIG. 4**



**FIG. 5**



**FIG. 6**



**FIG. 7**