



US00D408365S

United States Patent [19]

Sanders

[11] Patent Number: Des. 408,365

[45] Date of Patent: ** Apr. 20, 1999

[54] ELECTRICAL CORD PROTECTOR

[76] Inventor: Robert A. Sanders, 1321 Royal Ct.,
Hastings, Mich. 49058

[**] Term: 14 Years

[21] Appl. No.: 29/068,310

[22] Filed: Mar. 28, 1997

[51] LOC (6) Cl. 13-03

[52] U.S. Cl. D13/153

[58] Field of Search D13/154, 156;
174/135, 138, 72 A; 138/162, 156, 166

[56] **References Cited**

U.S. PATENT DOCUMENTS

3,211,828	10/1965	Cloud, Jr.	174/72 A
3,560,282	2/1971	Stark	156/69
4,260,181	4/1981	Curtin	485/15
4,538,647	9/1985	Saurenman et al.	138/166
4,708,418	11/1987	Reyna	439/785
4,723,053	2/1988	Amaya	174/135 X
4,899,414	2/1990	Irwin	15/97 B
5,130,496	7/1992	Jenkins	174/135
5,168,128	12/1992	Thomsen	174/135

5,259,782	11/1993	Giffin	439/367
5,397,243	3/1995	MacMundo, Sr.	439/136
5,438,474	8/1995	MacPherson et al.	361/158
5,556,059	9/1996	Maeda et al.	174/174 A X
5,666,260	9/1997	Pasmanik et al.	174/138 R X
5,677,513	10/1997	Ito et al.	174/72 A

Primary Examiner—Joel Sincavage

[57] **CLAIM**

The ornamental design for a electrical cord protector, as shown and described.

DESCRIPTION

FIG. 1 is a perspective view of a electrical cord protector showing my new design;

FIG. 2 is a front elevational view thereof, the rear view bring a mirror image;

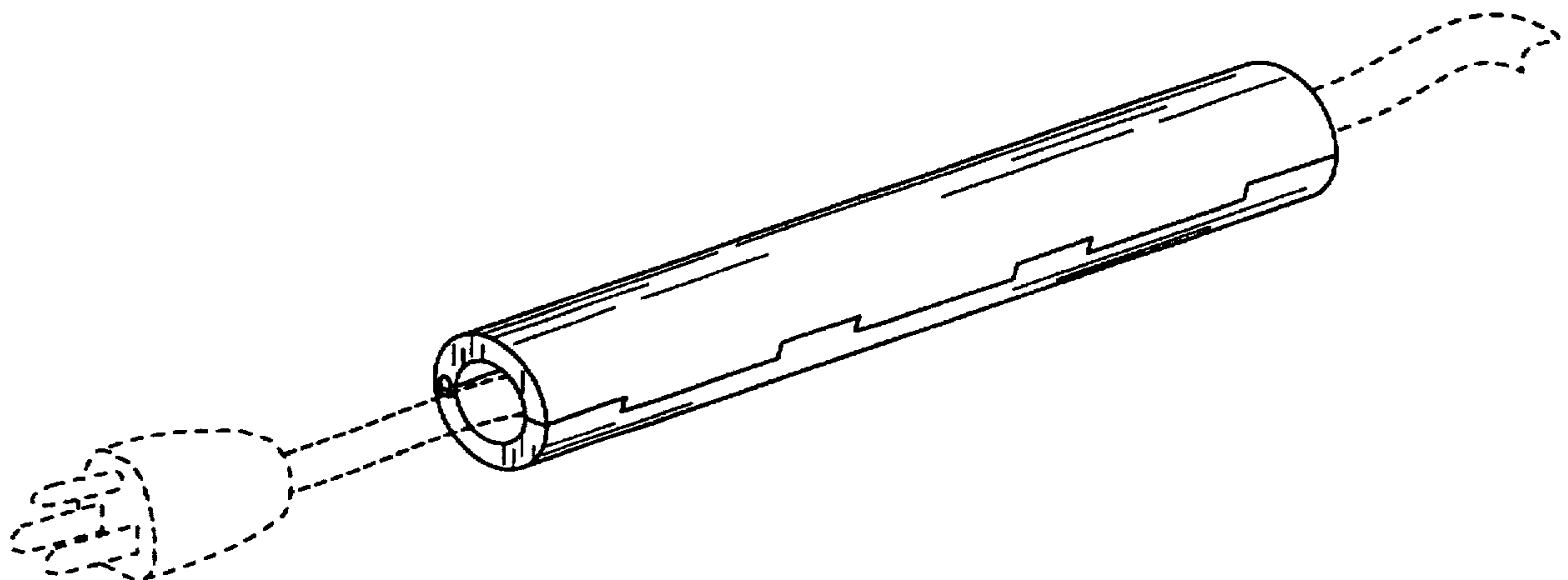
FIG. 3 is a left side elevational view thereof;

FIG. 4 is a right side elevational view thereof; and,

FIG. 5 is a top plan view thereof, the bottom plan view being a mirror image.

The dashed lines shown FIG. 1 and FIG. 5 represent an electrical extension cord for use with the present design, and form no part of the claimed invention.

1 Claim, 2 Drawing Sheets



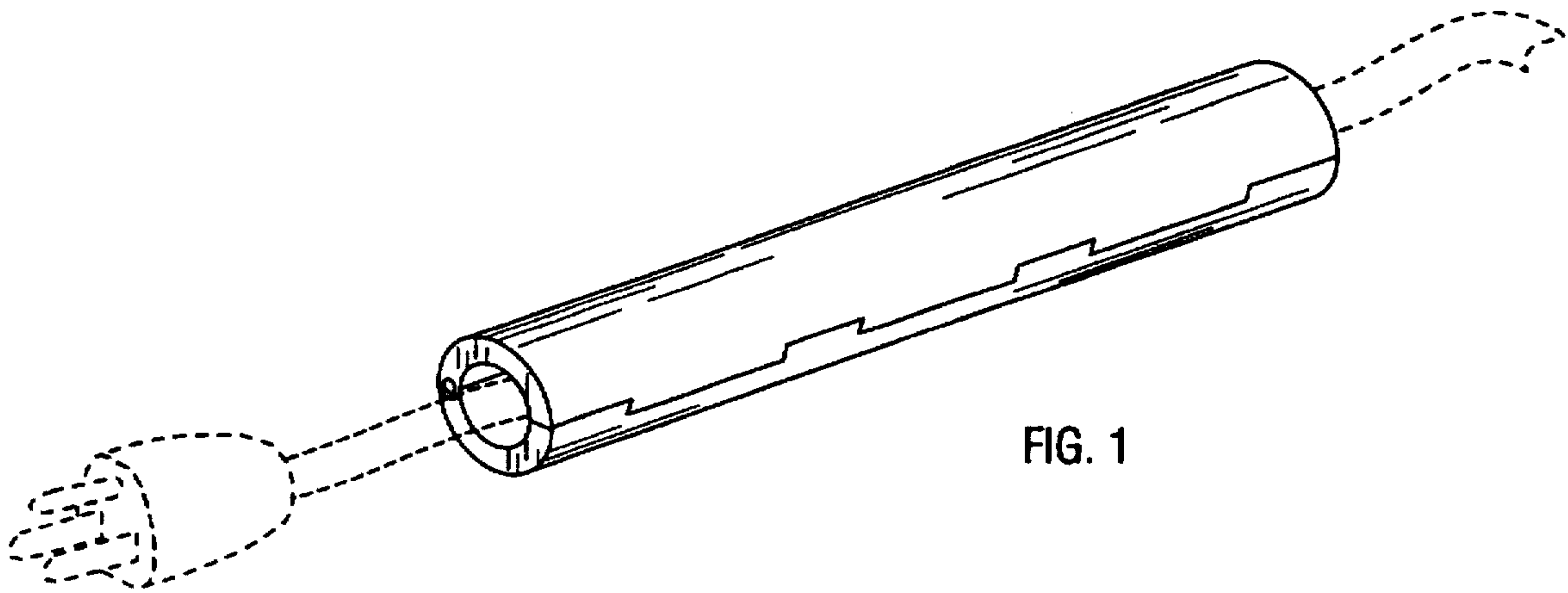


FIG. 1

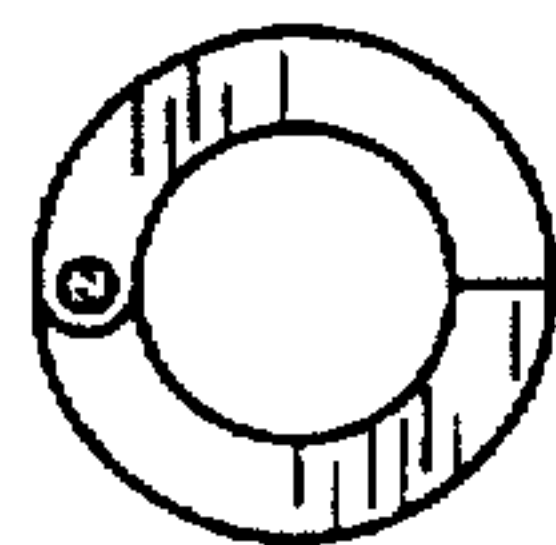


FIG. 2

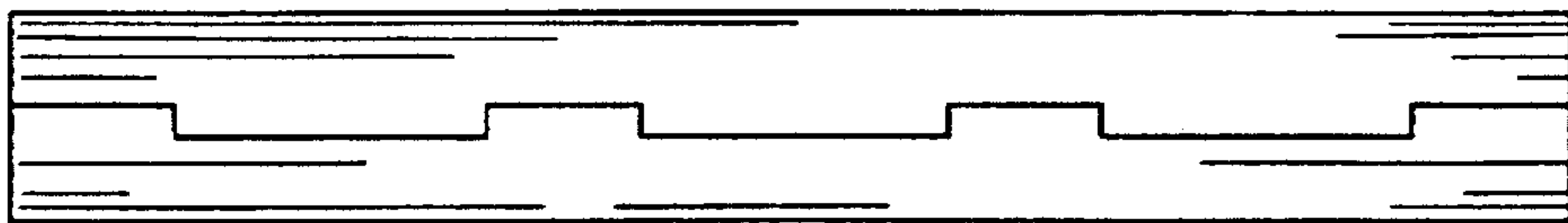


FIG. 3



FIG. 4

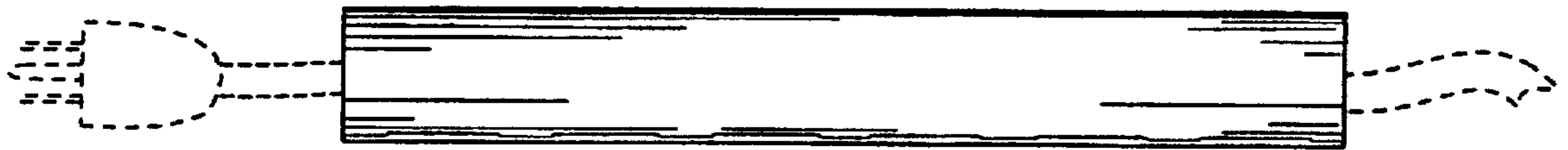


FIG. 5