



US00D408364S

United States Patent [19]
Hsiang

[11] **Patent Number:** **Des. 408,364**
[45] **Date of Patent:** ****Apr. 20, 1999**

[54] **ADAPTER**

[75] **Inventor:** **Tzu-Yen Hsiang, Taipei Hsien, Taiwan**

[73] **Assignee:** **Lantek Electronics, Inc., Taipei Hsien, Taiwan**

[**] **Term:** **14 Years**

[21] **Appl. No.:** **29/086,881**

[22] **Filed:** **Apr. 22, 1998**

[51] **LOC (6) CL** **13-03**

[52] **U.S. Cl.** **D13/151**

[58] **Field of Search** **D13/146, 147, D13/151; D14/217; 333/100; 439/578**

[56] **References Cited**

U.S. PATENT DOCUMENTS

D. 301,240	5/1989	Chino	D14/217
D. 396,691	8/1998	Shen	D13/147
D. 399,846	10/1998	Beggs	D14/217
3,676,744	7/1972	Pennypacker	174/59 X
4,141,615	2/1979	Takeuchi et al.	439/578 X

OTHER PUBLICATIONS

Splitters and taps on pp. 74 and 75 of MCM Electronics Catalog No. 27, 1991.

Splitters on p. 2 of CWC Electronics Catalog No. 5, Jun. 1986.

Primary Examiner—Joel Sincavage
Attorney, Agent, or Firm—Bacon & Thomas

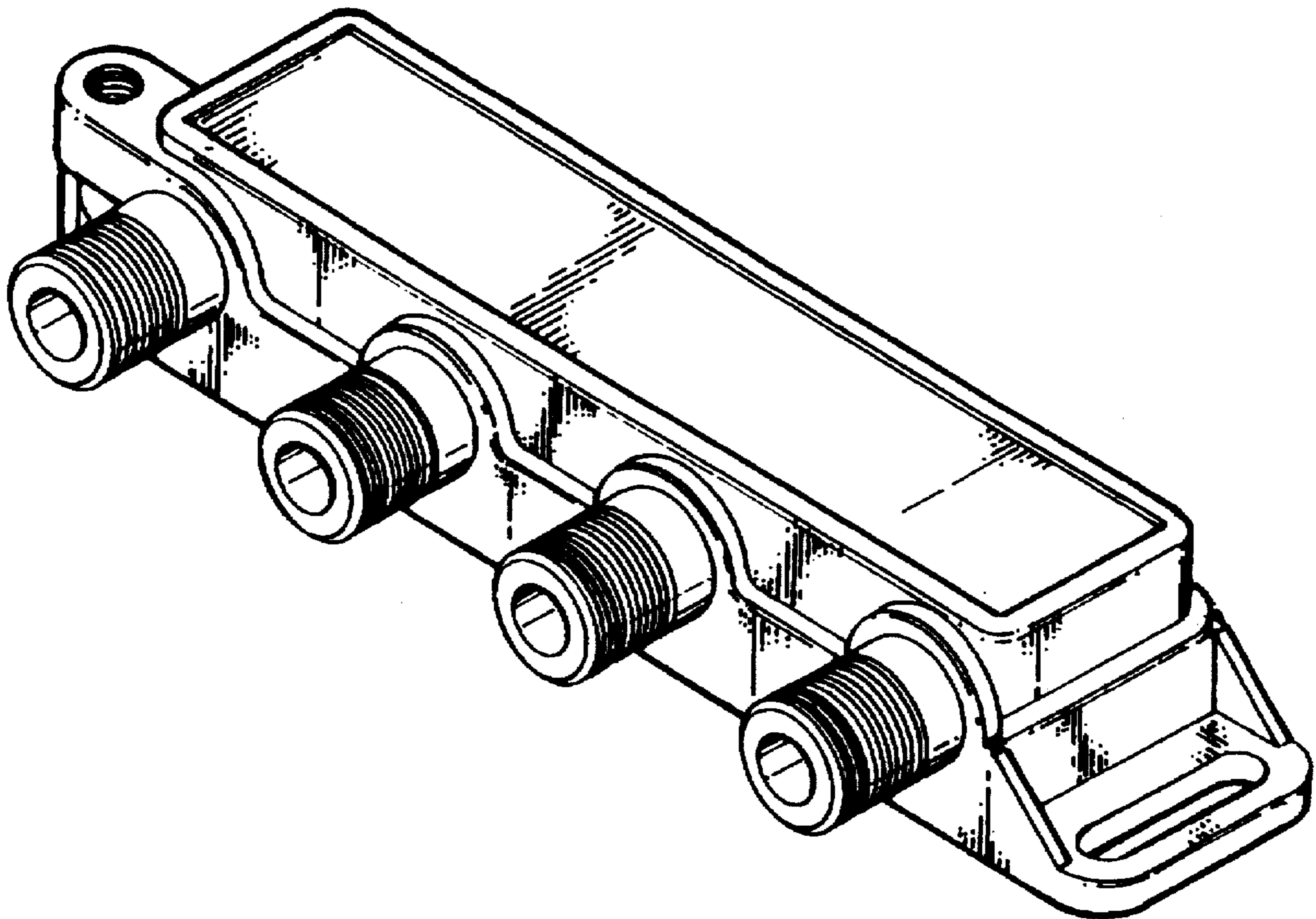
[57] **CLAIM**

The ornamental design for an adapter, as shown and described.

DESCRIPTION

FIG. 1 is a perspective view of adapter showing my new design;
FIG. 2 is a front elevational view thereof;
FIG. 3 is a rear elevational view thereof;
FIG. 4 is a left side elevational view thereof;
FIG. 5 is a right side elevational view thereof;
FIG. 6 is a top plan view thereof; and,
FIG. 7 is a bottom plan view thereof.

1 Claim, 4 Drawing Sheets



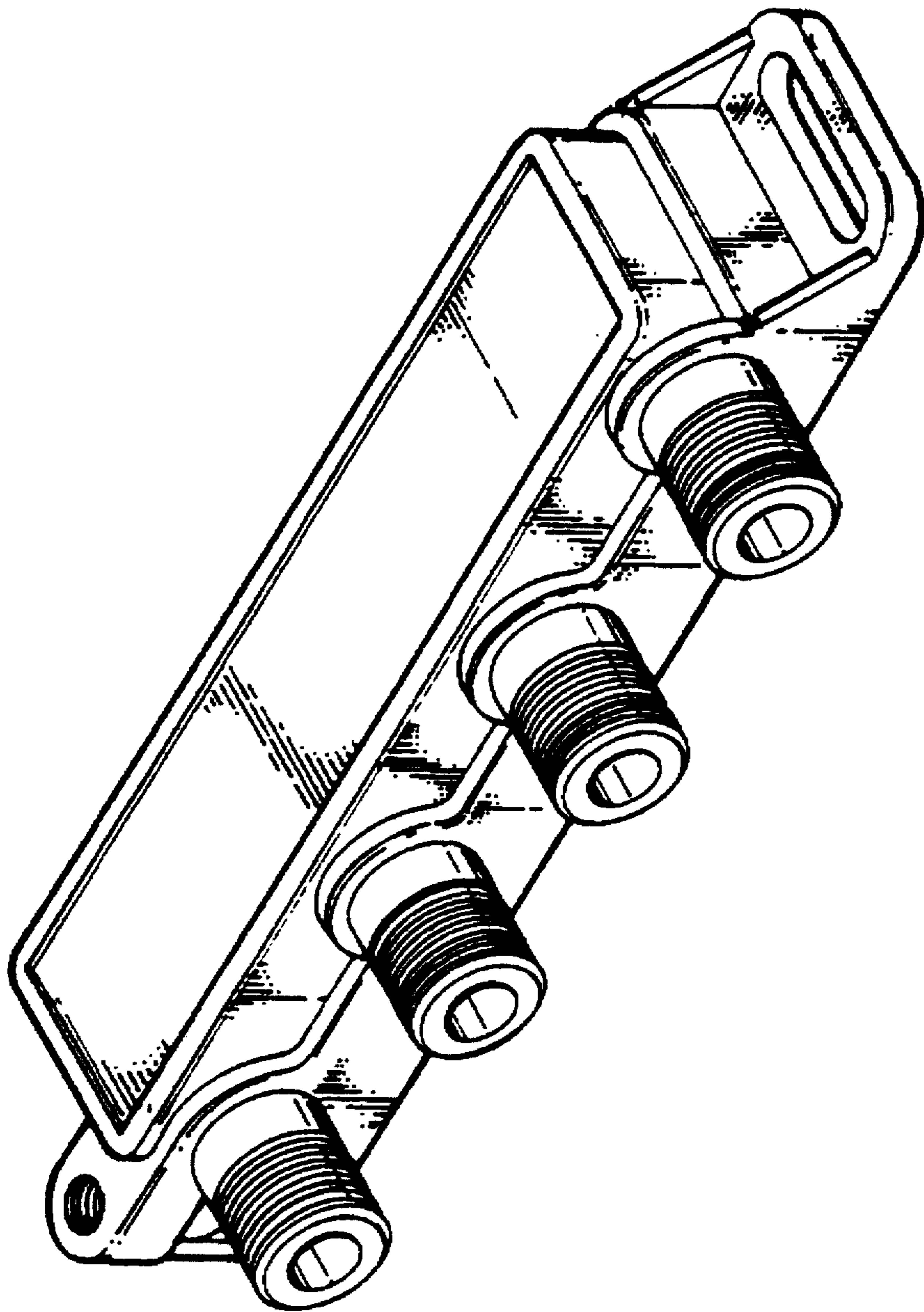


FIG 1

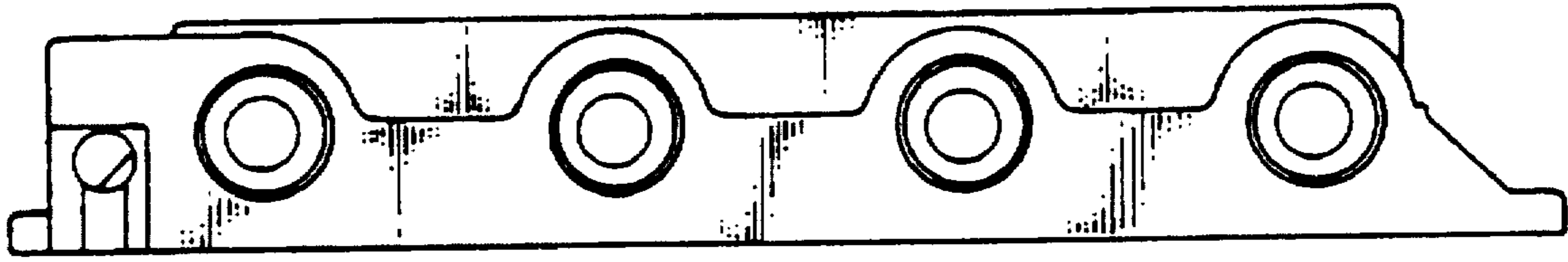


FIG 2

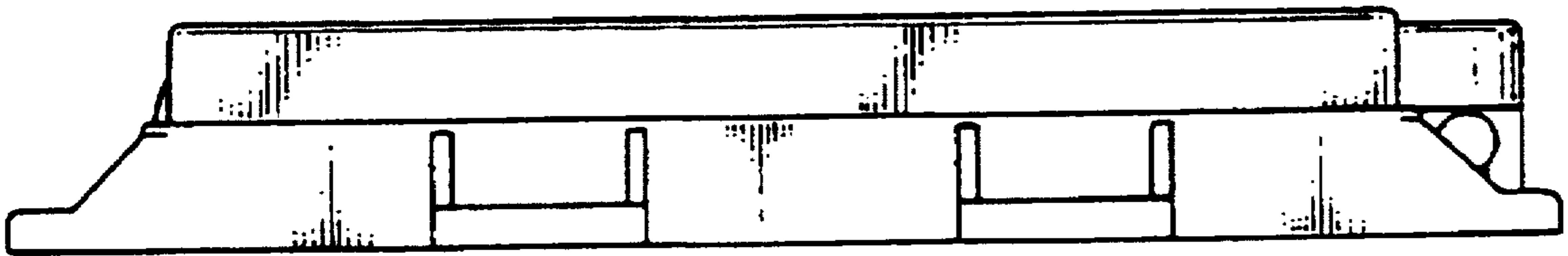


FIG 3

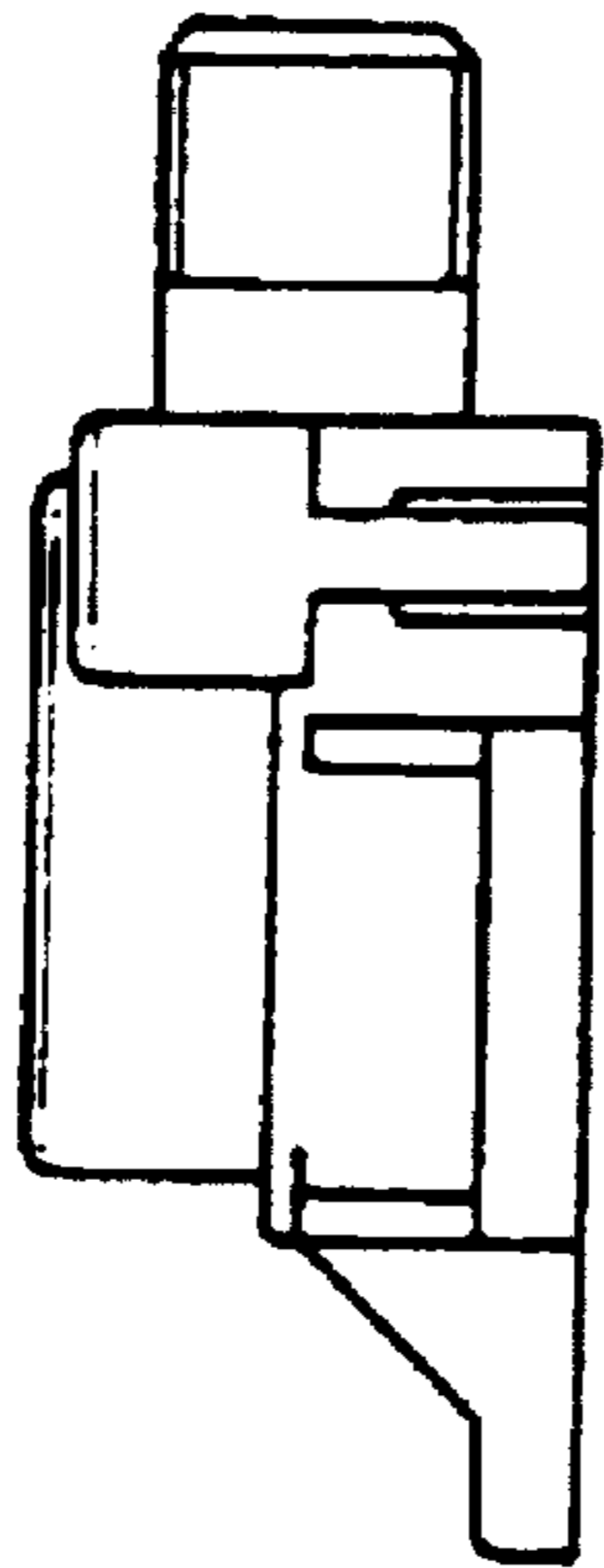


FIG 4

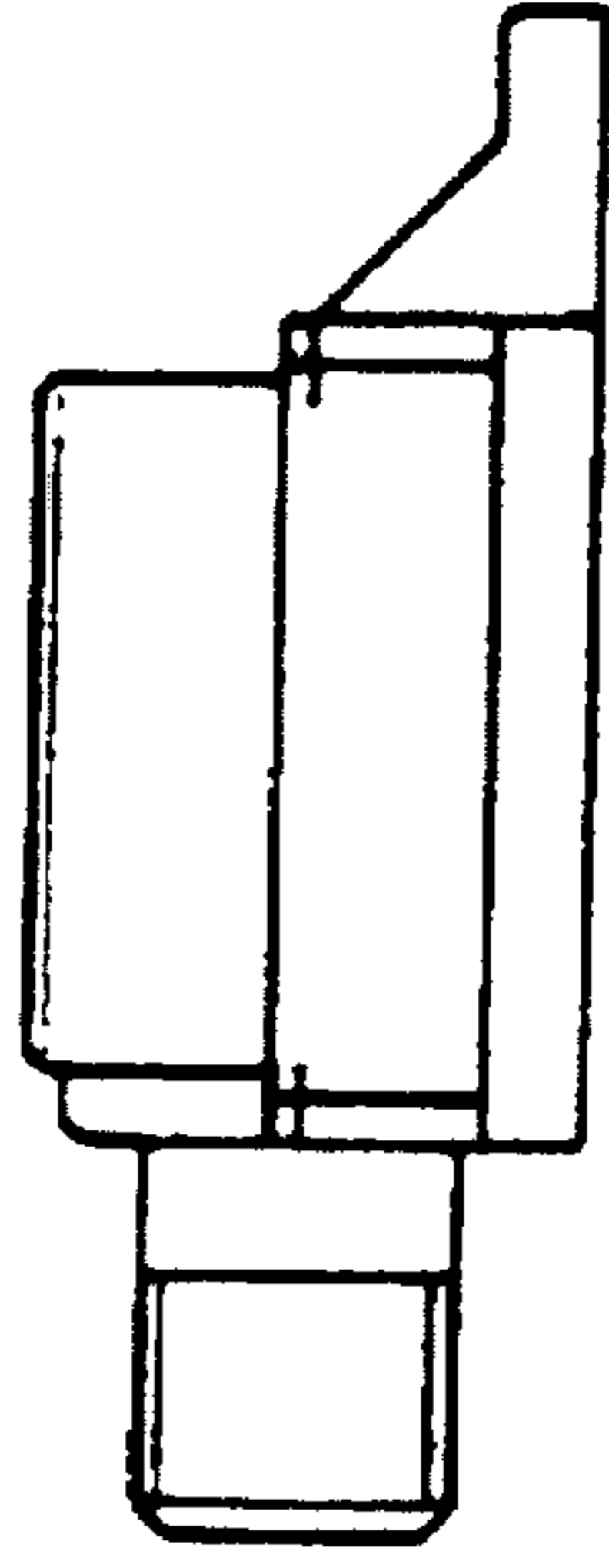


FIG 5

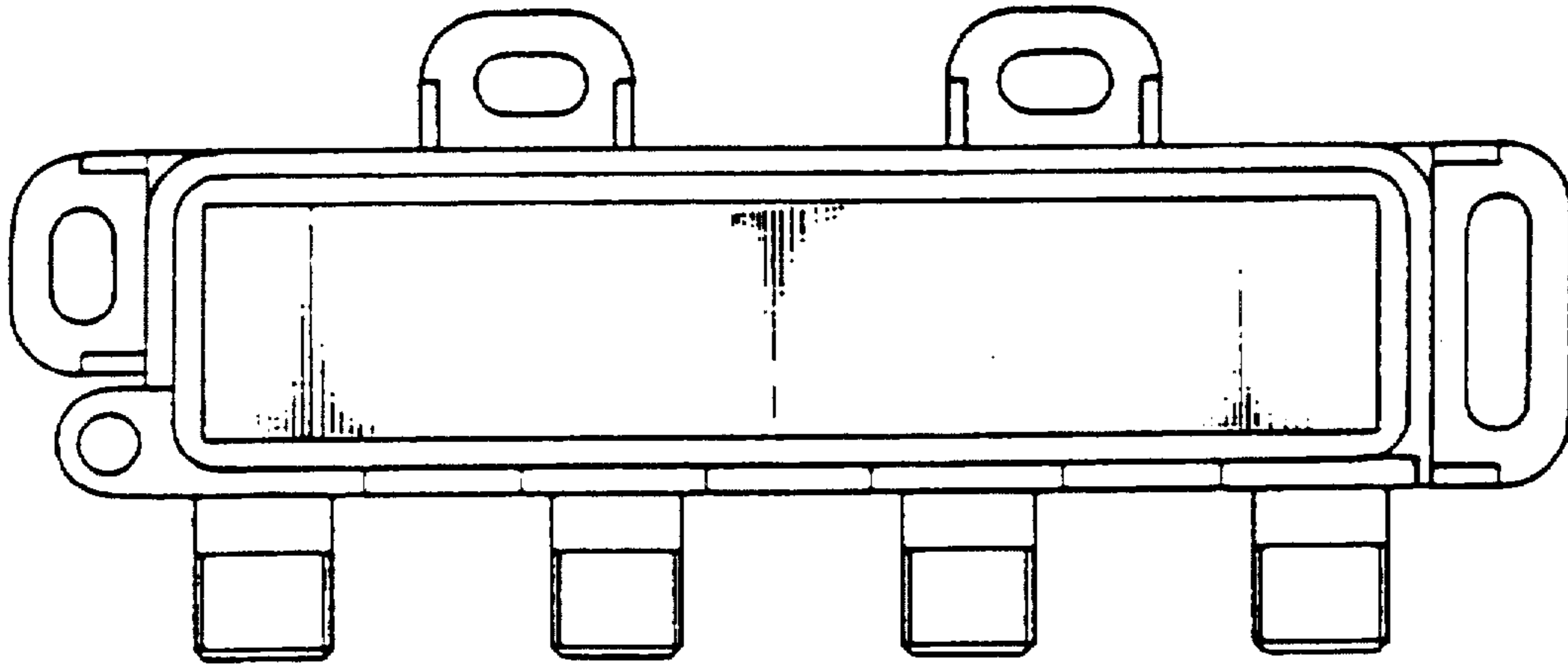


FIG 6

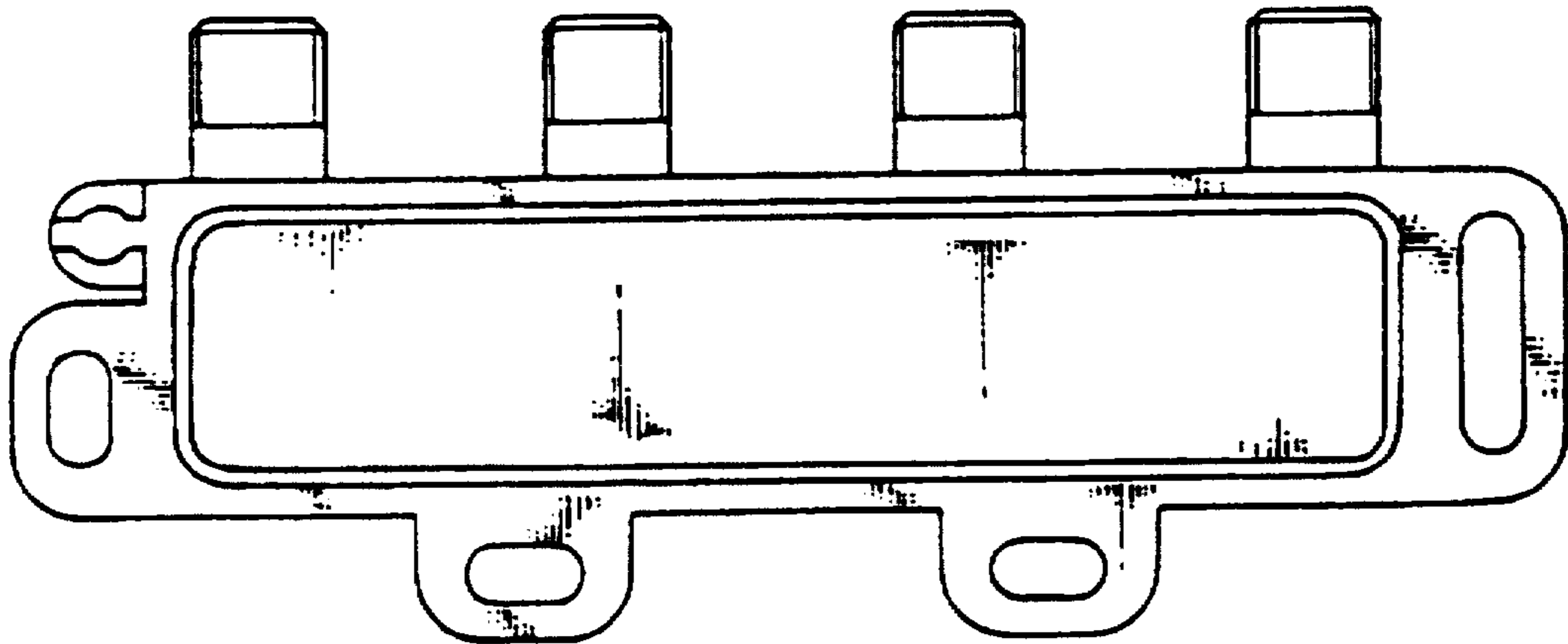


FIG 7