



US00D408363S

United States Patent [19]
Hsiang

[11] **Patent Number: Des. 408,363**
[45] **Date of Patent: **Apr. 20, 1999**

[54] **ADAPTER**

5,205,758 4/1993 Comerci et al. 439/535

[75] **Inventor: Tzu-Yen Hsiang, Taipei Hsien, Taiwan**

Primary Examiner—Joel Sincavage
Attorney, Agent, or Firm—Bacon & Thomas

[73] **Assignee: Lantek Electronics, Inc., Taipei Hsien, Taiwan**

[57] **CLAIM**

[**] **Term: 14 Years**

The ornamental design for an adapter, as shown and described.

[21] **Appl. No.: 29/086,877**

DESCRIPTION

[22] **Filed: Apr. 22, 1998**

[51] **LOC (6) Cl. 13-03**

[52] **U.S. Cl. D13/151; D13/147**

[58] **Field of Search D13/146, 147, D13/151; D14/217; 333/100; 439/578; 174/52.1, 52.3, 59-65 R**

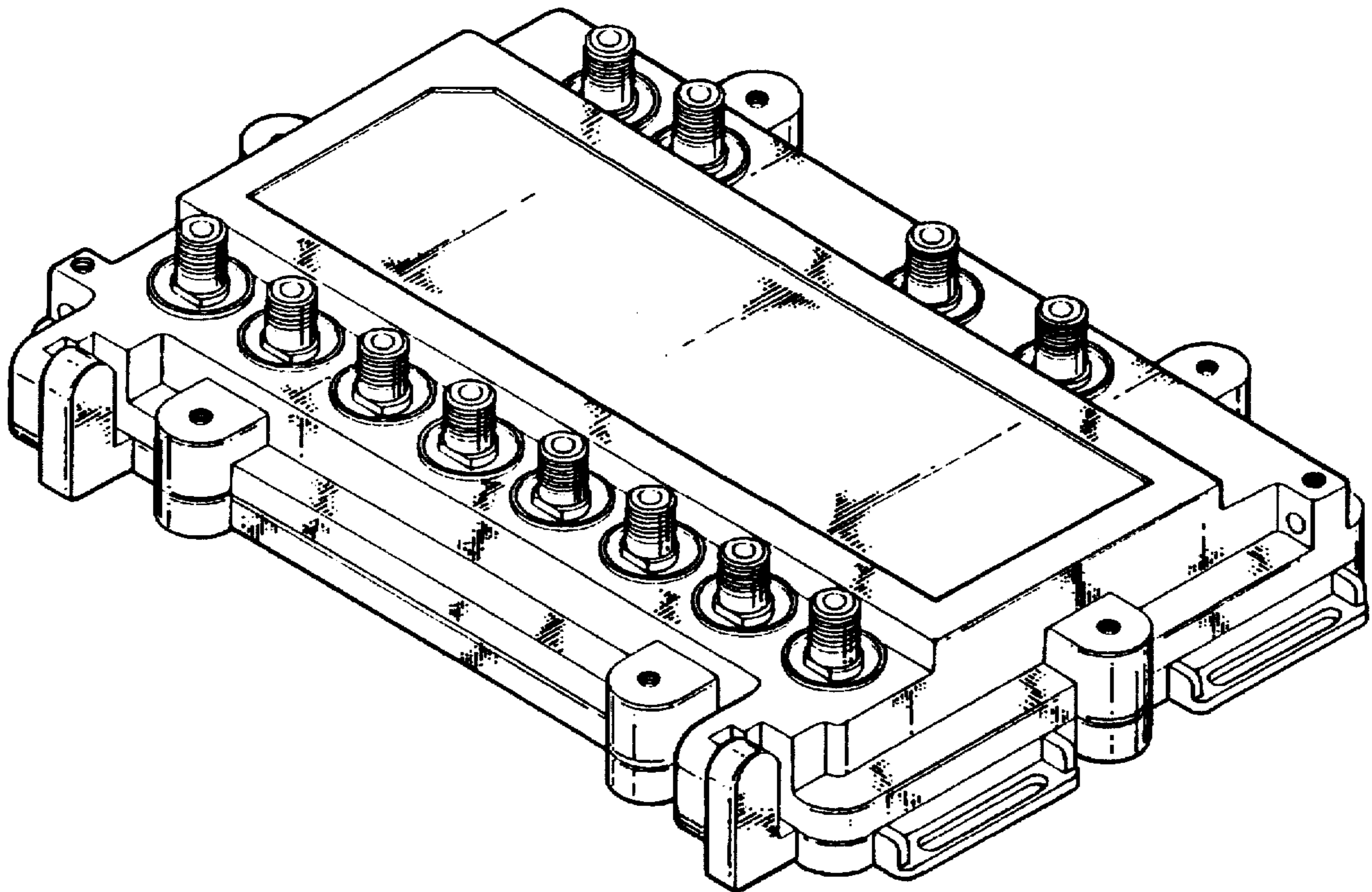
FIG. 1 is a perspective view of adapter showing my new design;
FIG. 2 is a front elevational view thereof;
FIG. 3 is a rear elevational view thereof;
FIG. 4 is a left side elevational view thereof;
FIG. 5 is a right side elevational view thereof;
FIG. 6 is a top plan view thereof; and,
FIG. 7 is a bottom plan view thereof.

[56] **References Cited**

U.S. PATENT DOCUMENTS

D. 396,695 8/1998 Shen D13/147

1 Claim, 5 Drawing Sheets



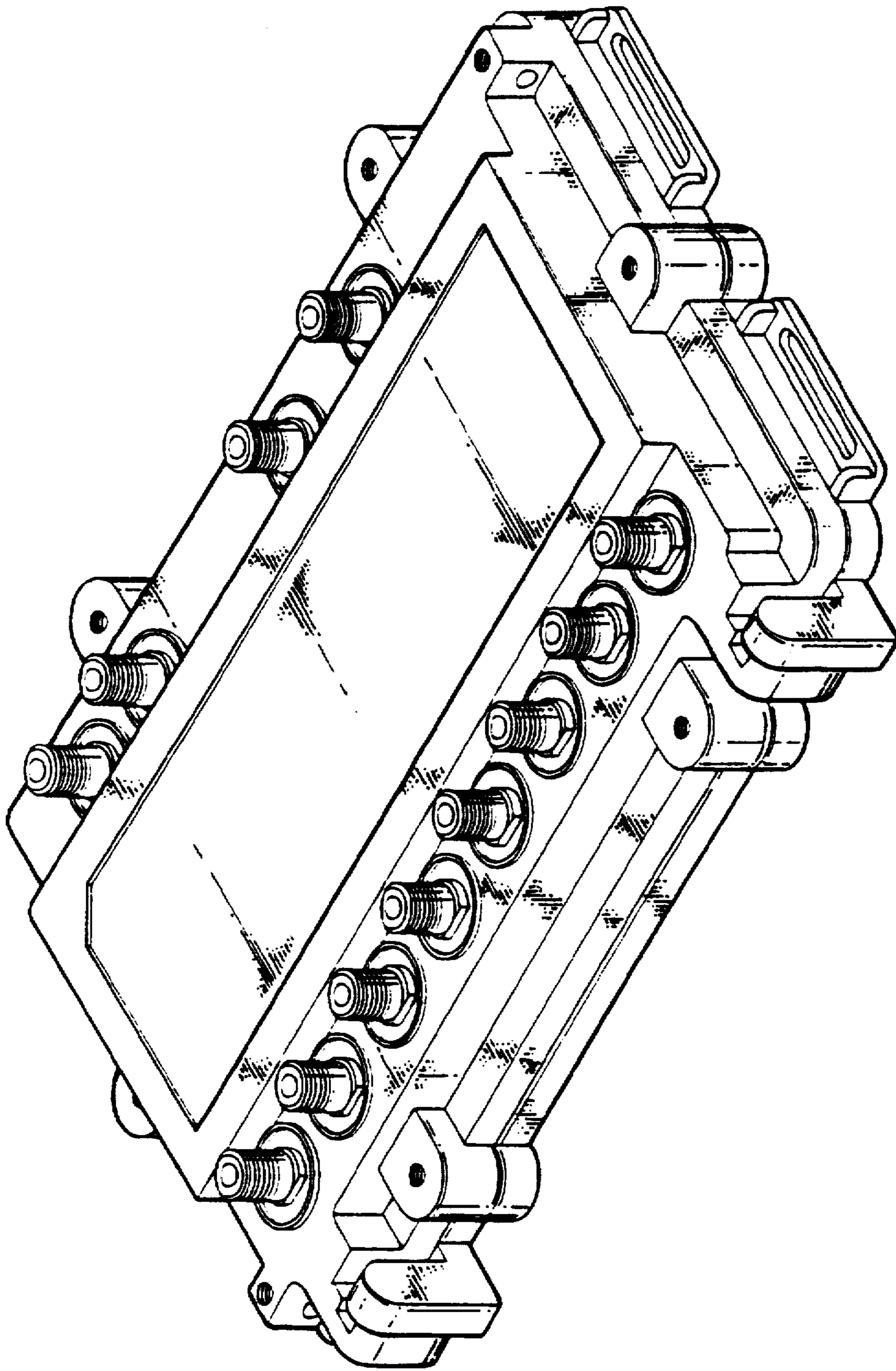


FIG 1

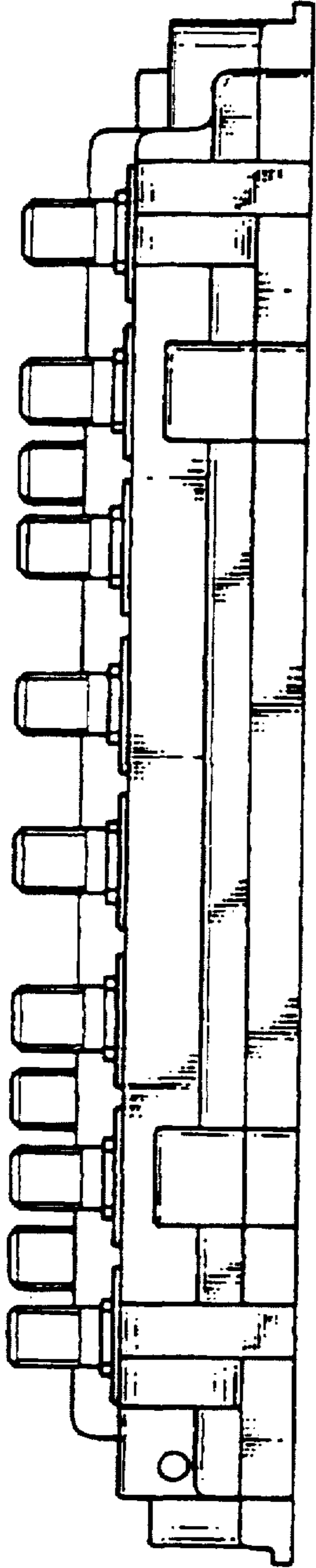


FIG 2

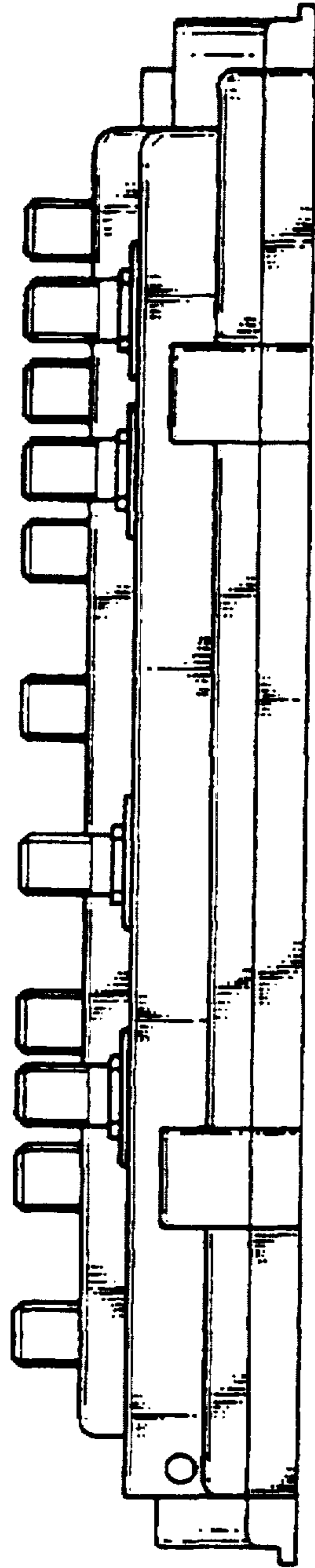


FIG 3

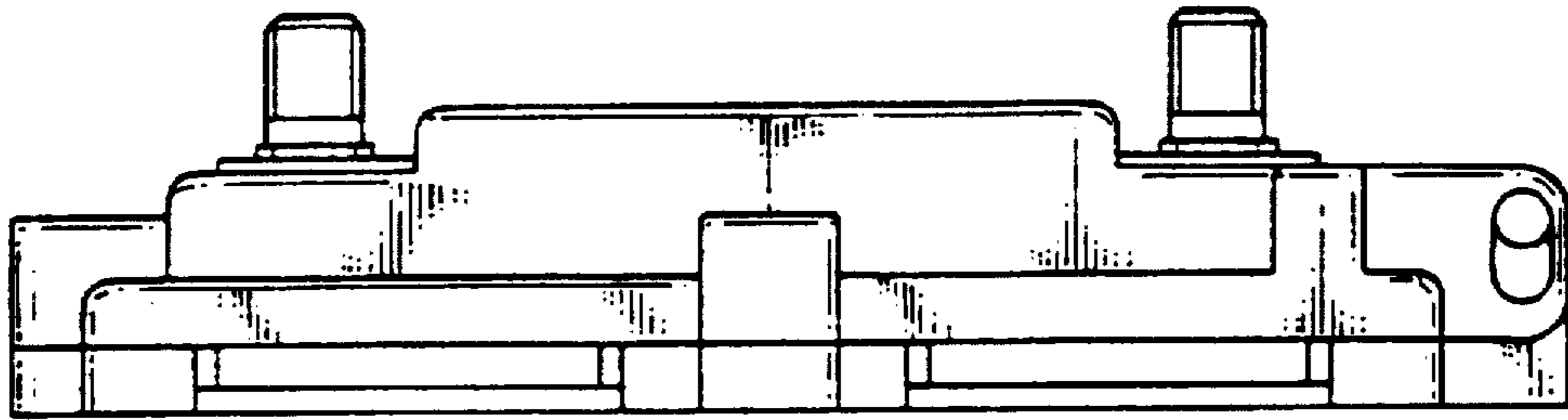


FIG 4

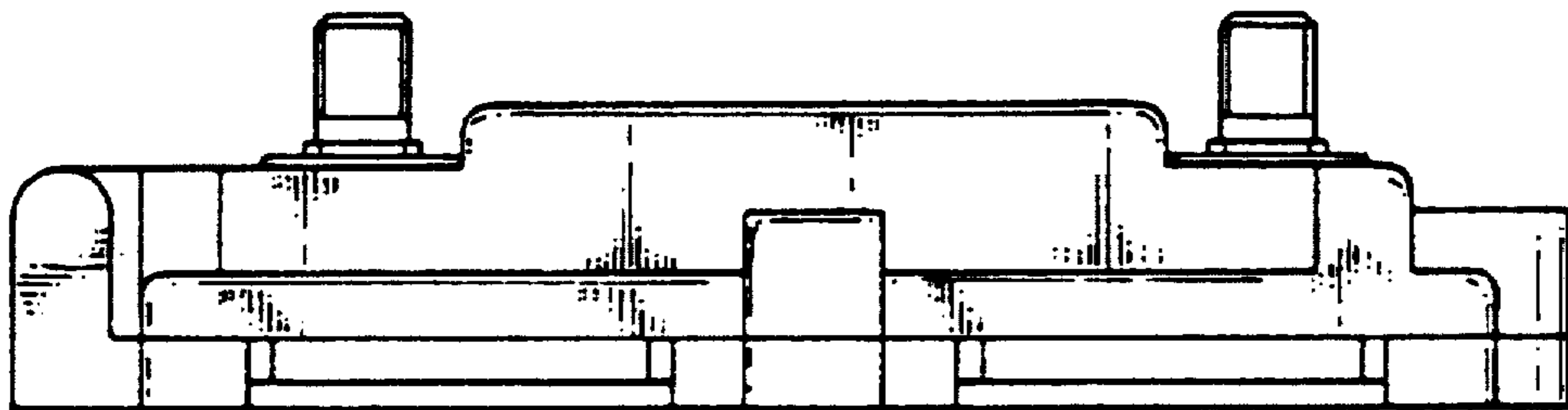


FIG 5

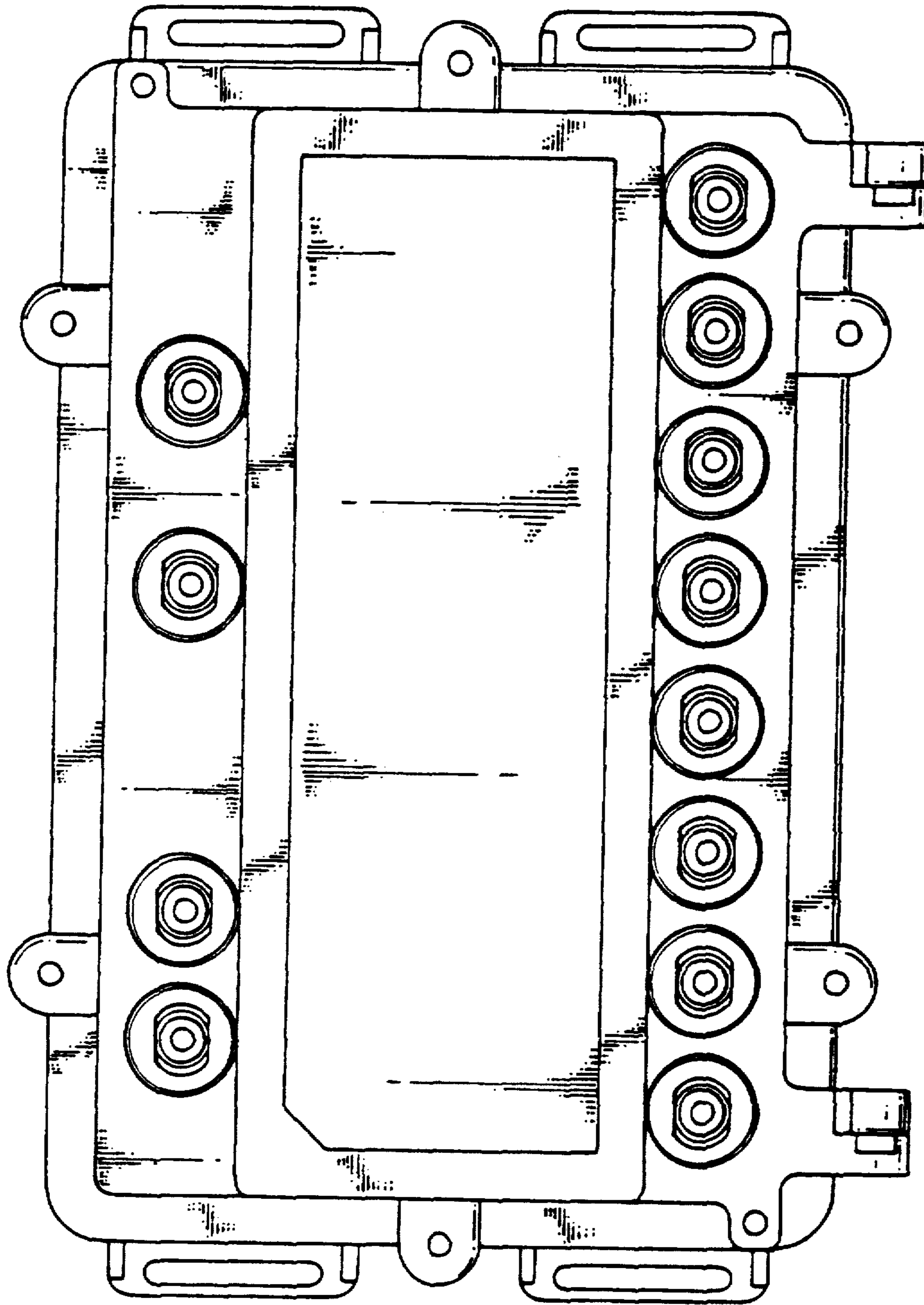


FIG 6

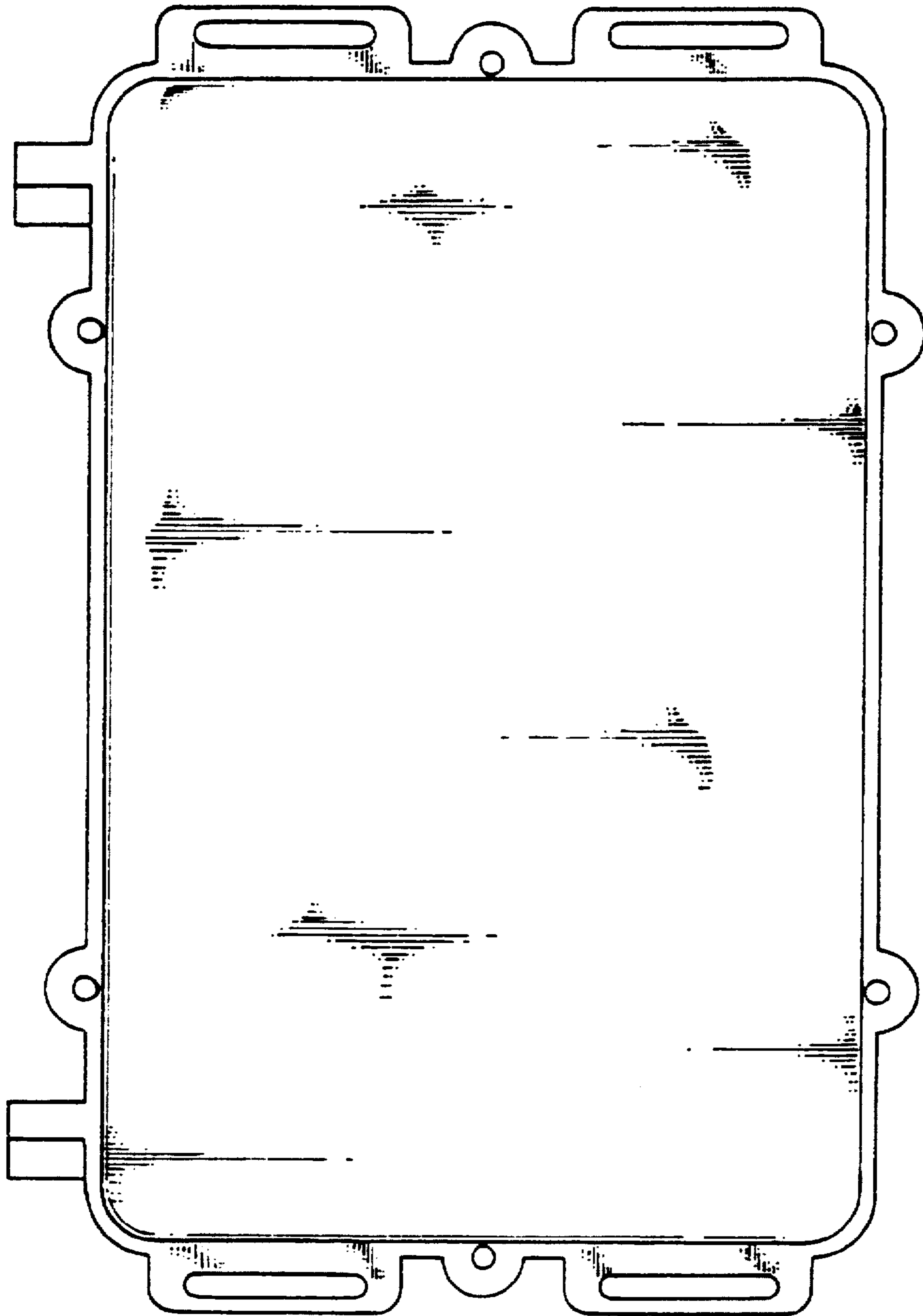


FIG 7