

US00D408361S

United States Patent [19]
Chau et al.

[11] **Patent Number:** **Des. 408,361**
[45] **Date of Patent:** ****Apr. 20, 1999**

- [54] **ELECTRICAL CONNECTOR HOUSING**
- [75] **Inventors:** **Danny Kwun-Man Chau; Richard J. Middlehurst**, both of Fremont, Calif.
- [73] **Assignee:** **Elcon Products International Company**, Fremont, Calif.
- [**] **Term:** **14 Years**
- [21] **Appl. No.:** **29/087,059**
- [22] **Filed:** **Apr. 24, 1998**
- [51] **LOC (6) Cl** **13-03**
- [52] **U.S. Cl.** **D13/147**
- [58] **Field of Search** **D13/147; 439/59, 439/76.1, 636, 637, 701**

FOREIGN PATENT DOCUMENTS

0 549 960 A2 12/1992 European Pat. Off. .

OTHER PUBLICATIONS

Molex Incorporated, *Edge Card Connector for .050" (1,27 mm) Center Ribbon Cable*, "6874 Series, .100" (2,54 mm) Center," p. 12B, Catalog 980, 2nd ed. (1991).
 Molex Incorporated, *Dual Row Shrouded Headers*, "8724 Right Angle Pin," p. 76A, Catalog 980, 2nd ed. (1991).
 Molex Incorporated, *Dual Row Shrouded Headers*, "8723 Straight Pin," p. 75A, Catalog 980, 2nd ed. (1991).
 Quickie™ IDC system connector on p. 222 of *Dupont Connector Systems Catalog 86A*.

Primary Examiner—Joel Sincavage
Attorney, Agent, or Firm—Burns, Doane, Swecker & Mathis, LLP

[57] **CLAIM**

The ornamental design for an electrical connector housing, as shown and described.

DESCRIPTION

FIG. 1 is a perspective view as seen from the front and upper right of a first embodiment of an electrical connector housing showing our new design;
 FIG. 2 is a right side elevational view thereof;
 FIG. 3 is a front elevational view thereof;
 FIG. 4 is a left side elevational view thereof;
 FIG. 5 is a rear elevational view thereof;
 FIG. 6 is a top plan view thereof;
 FIG. 7 is a bottom plan view thereof;
 FIG. 8 is a perspective view as seen from the front and upper right of a second embodiment of the electrical connector housing;
 FIG. 9 is a right side elevational view thereof;
 FIG. 10 is a front elevational view thereof;
 FIG. 11 is a left side elevational view thereof;
 FIG. 12 is a rear elevational view thereof;
 FIG. 13 is a top plan view thereof; and,
 FIG. 14 is a bottom plan view thereof.
 The broken line showing throughout the drawing views is included for the purpose of illustrating environmental structure only and forms no part of the claimed design.

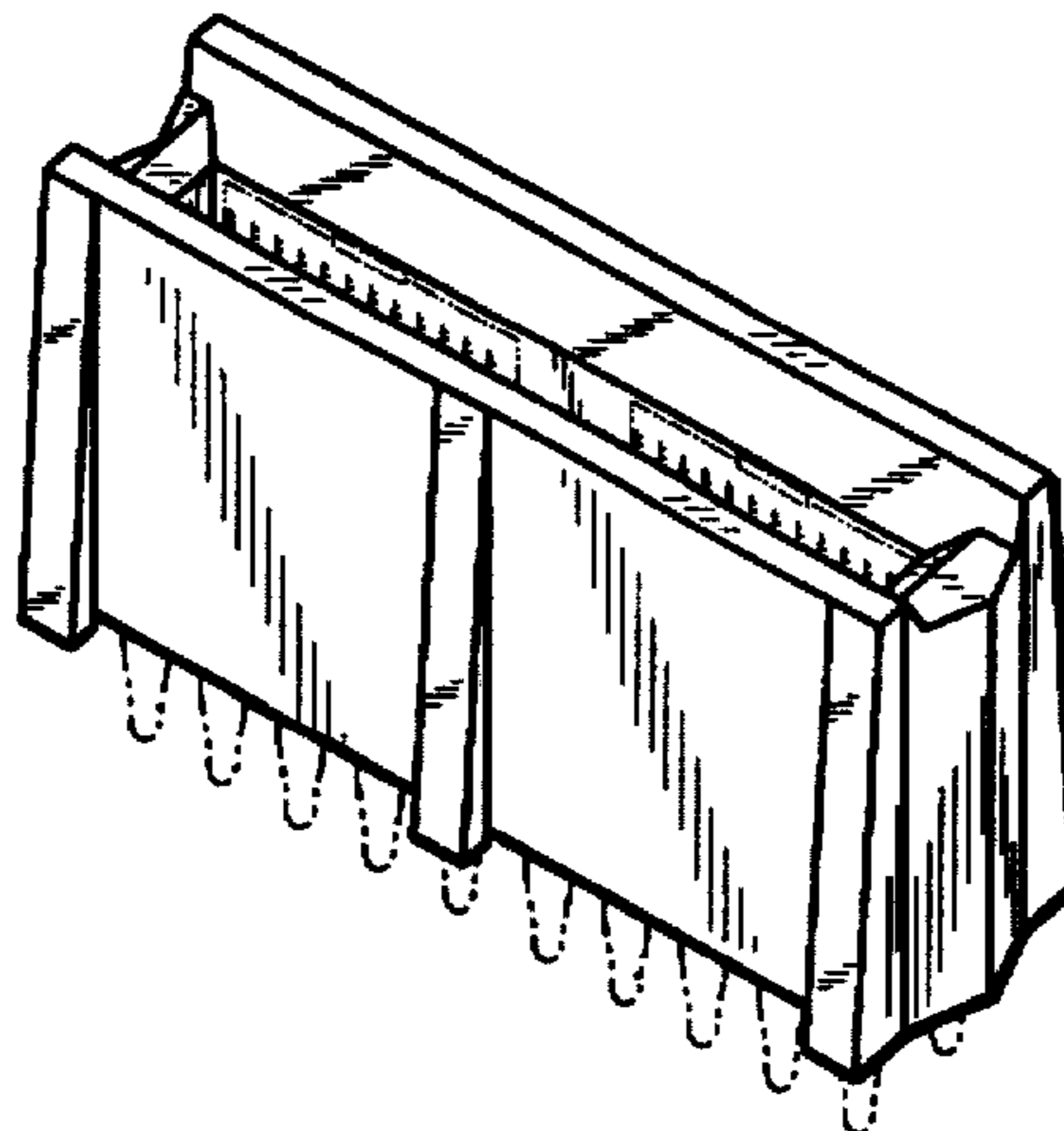
[56] **References Cited**

U.S. PATENT DOCUMENTS

- D. 290,249 6/1987 Knickerbocker et al. .
- D. 301,870 6/1989 Shibano .
- D. 302,422 7/1989 Justiano et al. .
- D. 314,752 2/1991 Maejima et al. .
- D. 326,644 6/1992 Moriai et al. D13/147
- D. 330,540 10/1992 Tanaka .
- D. 331,039 11/1992 Watanabe .
- D. 368,071 3/1996 Eaton .
- D. 372,220 7/1996 Matthews .
- 3,054,078 9/1962 Baschkin .
- 3,456,231 7/1969 Paulus et al. .
- 3,471,822 10/1969 Van Baelen .
- 3,560,911 2/1971 Zimmerman, Jr. et al. .
- 3,587,029 6/1971 Knowles .
- 3,697,933 10/1972 Black et al. .
- 3,808,578 4/1974 Hansen .
- 4,090,764 5/1978 Malsby et al. .
- 4,379,611 4/1983 Foegen et al. .
- 4,439,000 3/1984 Kaufman et al. 439/637
- 4,451,107 5/1984 Dola et al. .
- 4,514,784 4/1985 Williams et al. .
- 4,550,959 11/1985 Grabbe et al. .
- 4,616,893 10/1986 Feldman .

(List continued on next page.)

1 Claim, 2 Drawing Sheets



U.S. PATENT DOCUMENTS

4,728,163	3/1988	Kittinger et al. .	5,147,226	9/1992	Kile .
4,749,357	6/1988	Foley .	5,156,552	10/1992	Zaderej et al. .
4,824,380	4/1989	Matthews .	5,181,853	1/1993	Van Brunt, Jr. et al. .
4,846,737	7/1989	Jorroch et al. .	5,211,589	5/1993	McCardell .
4,854,899	8/1989	Matthews .	5,217,386	6/1993	Ohsumi et al. .
4,867,713	9/1989	Ozu et al. .	5,236,375	8/1993	Kachlic .
4,871,320	10/1989	Mouissie .	5,261,840	11/1993	Benz .
4,946,392	8/1990	Kobler et al. .	5,306,160	4/1994	Roberts .
4,969,824	11/1990	Casciotti .	5,306,182	4/1994	Fukushima et al. .
4,983,127	1/1991	Kawai et al. .	5,342,226	8/1994	Hayes et al. .
4,993,972	2/1991	Lin 439/637	5,376,012	12/1994	Clark .
5,013,263	5/1991	Gordon et al. .	5,431,576	7/1995	Matthews .
5,024,609	6/1991	Piorunneck .	5,547,400	8/1996	Wright .
5,055,055	10/1991	Bakker .	5,575,690	11/1996	Eaton .
5,088,942	2/1992	Welsh et al. .	5,584,728	12/1996	Cheng 439/637
5,145,413	9/1992	Okamoto et al. .	5,810,623	9/1998	Regnier et al. 439/637
			5,813,883	9/1998	Lin 439/637

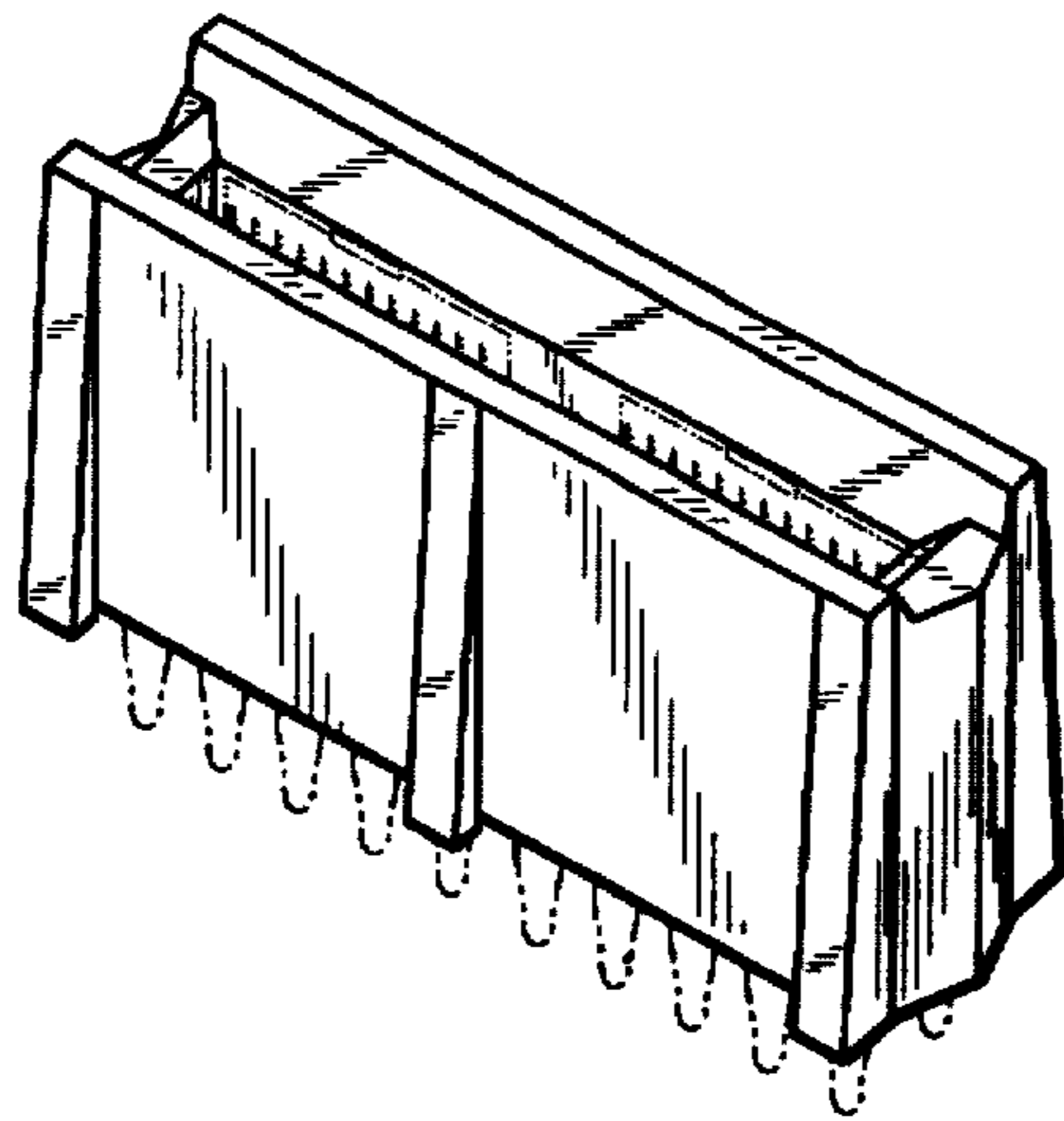


FIG._1

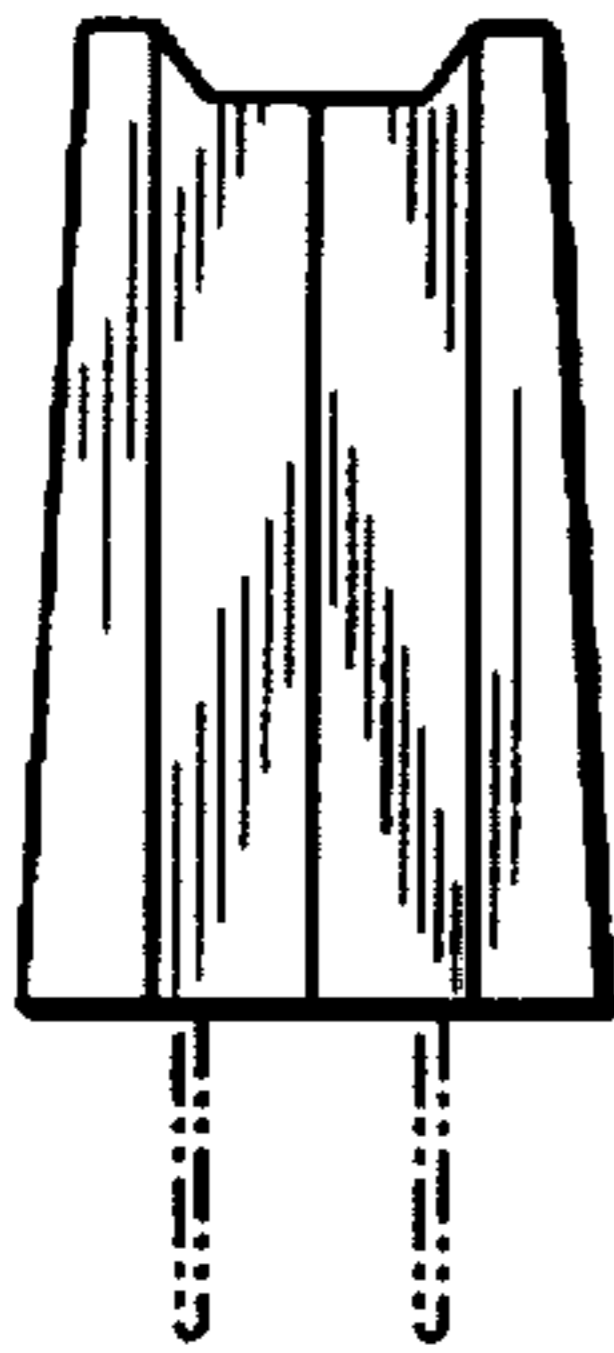


FIG._2

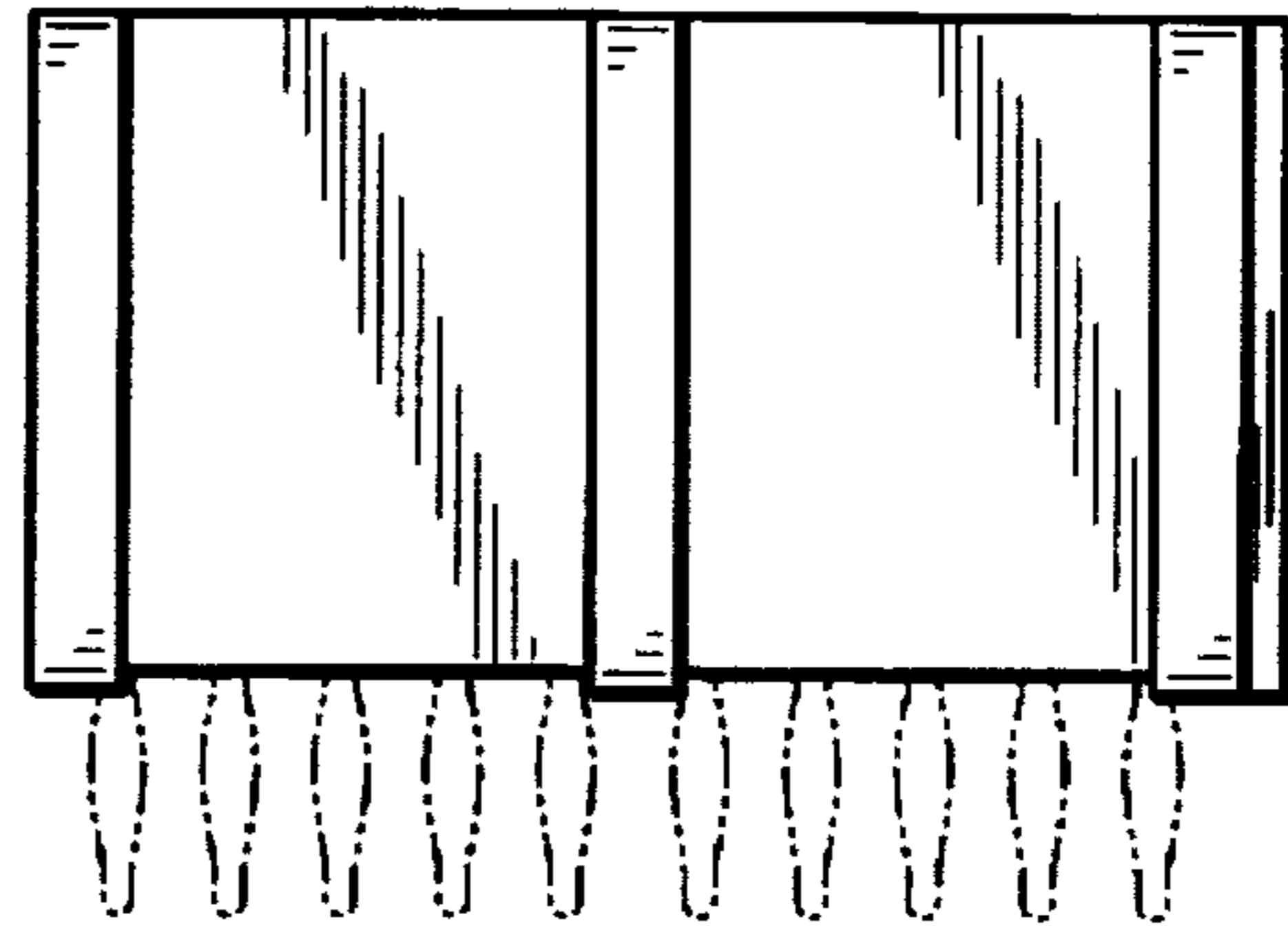


FIG._3

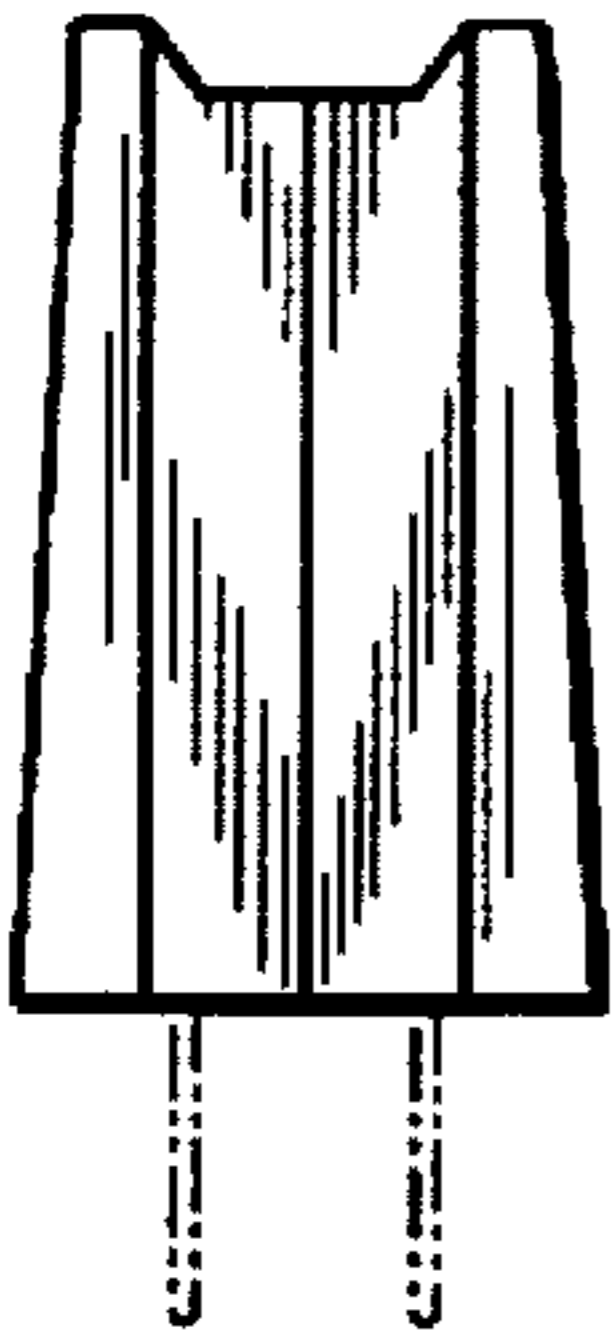


FIG._4

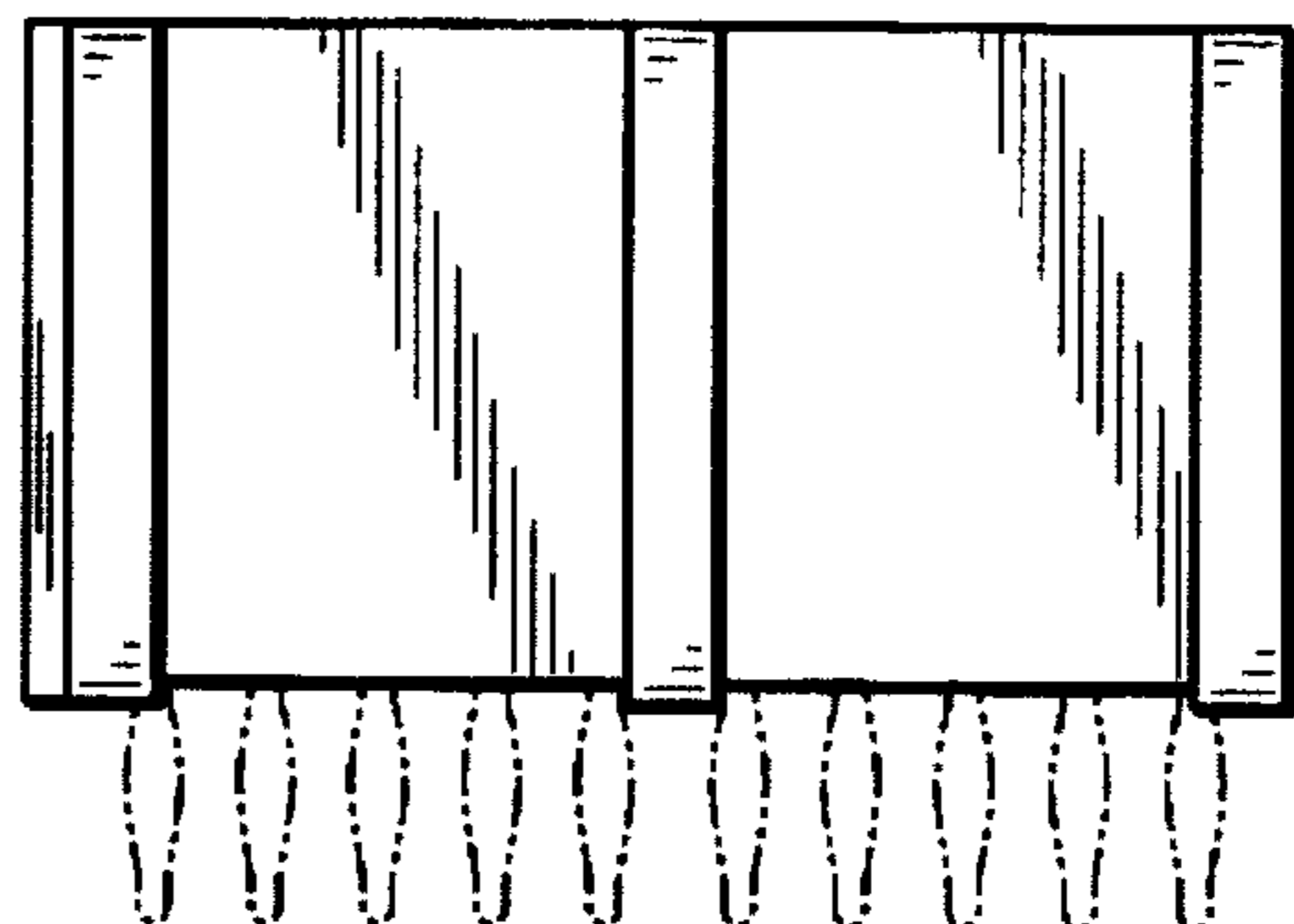


FIG._5

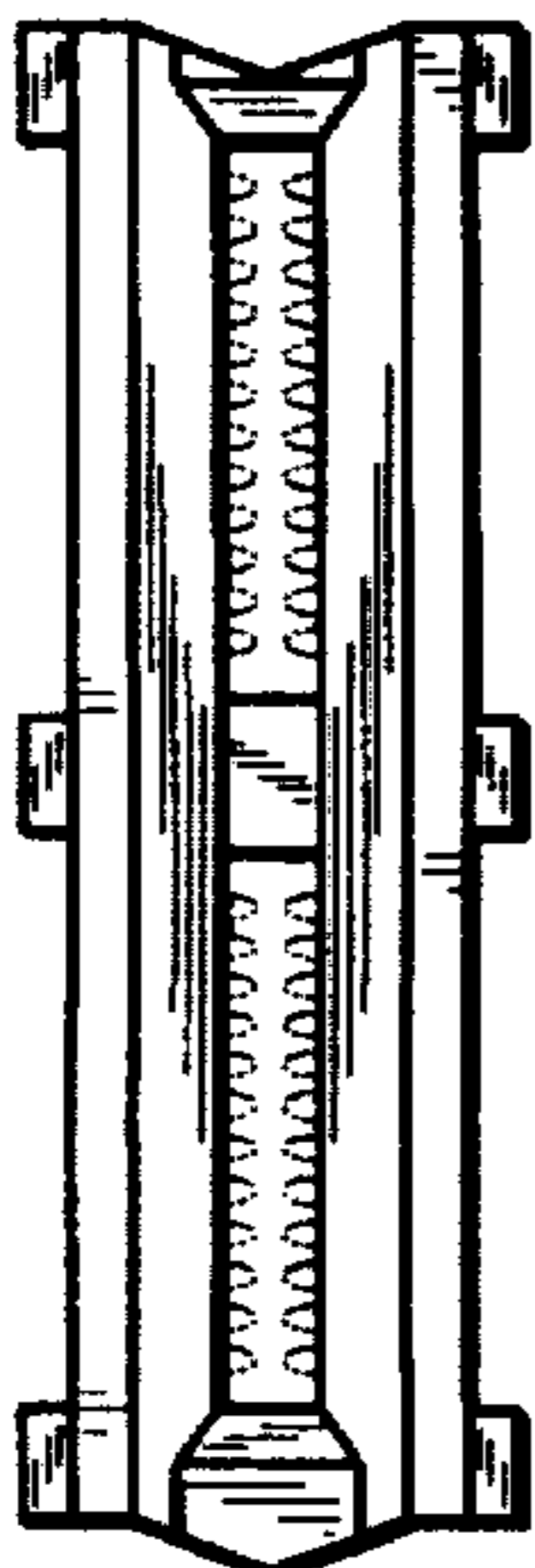


FIG._6

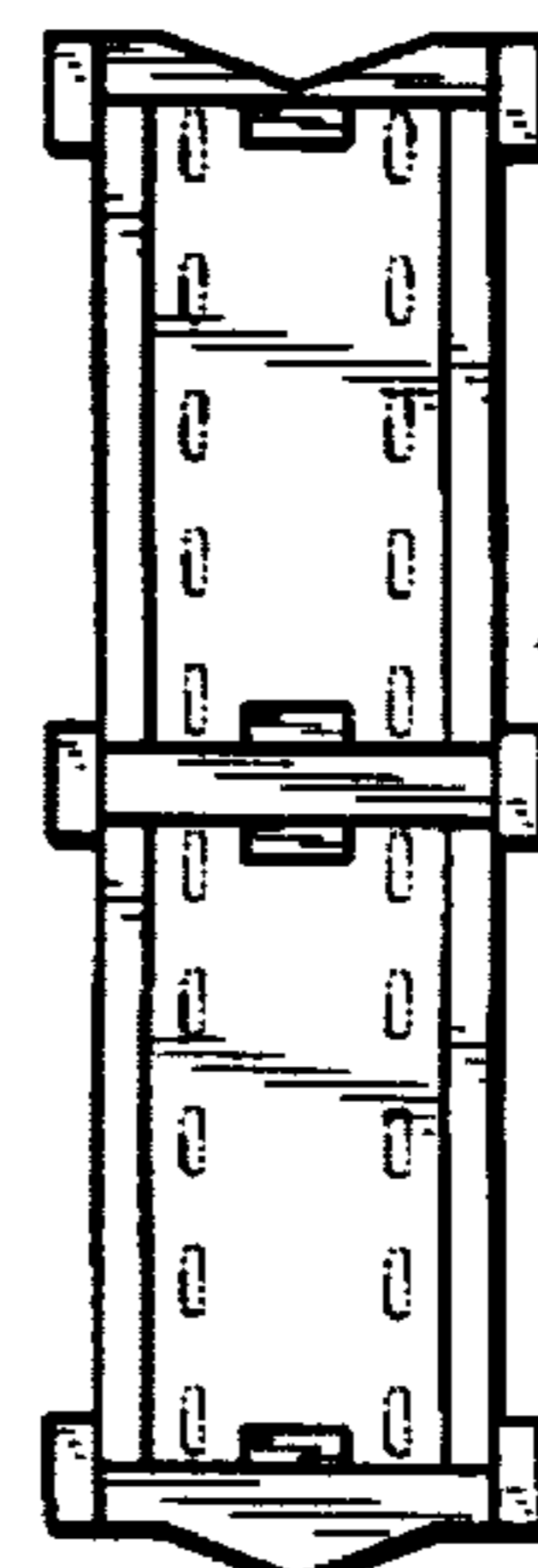


FIG._7

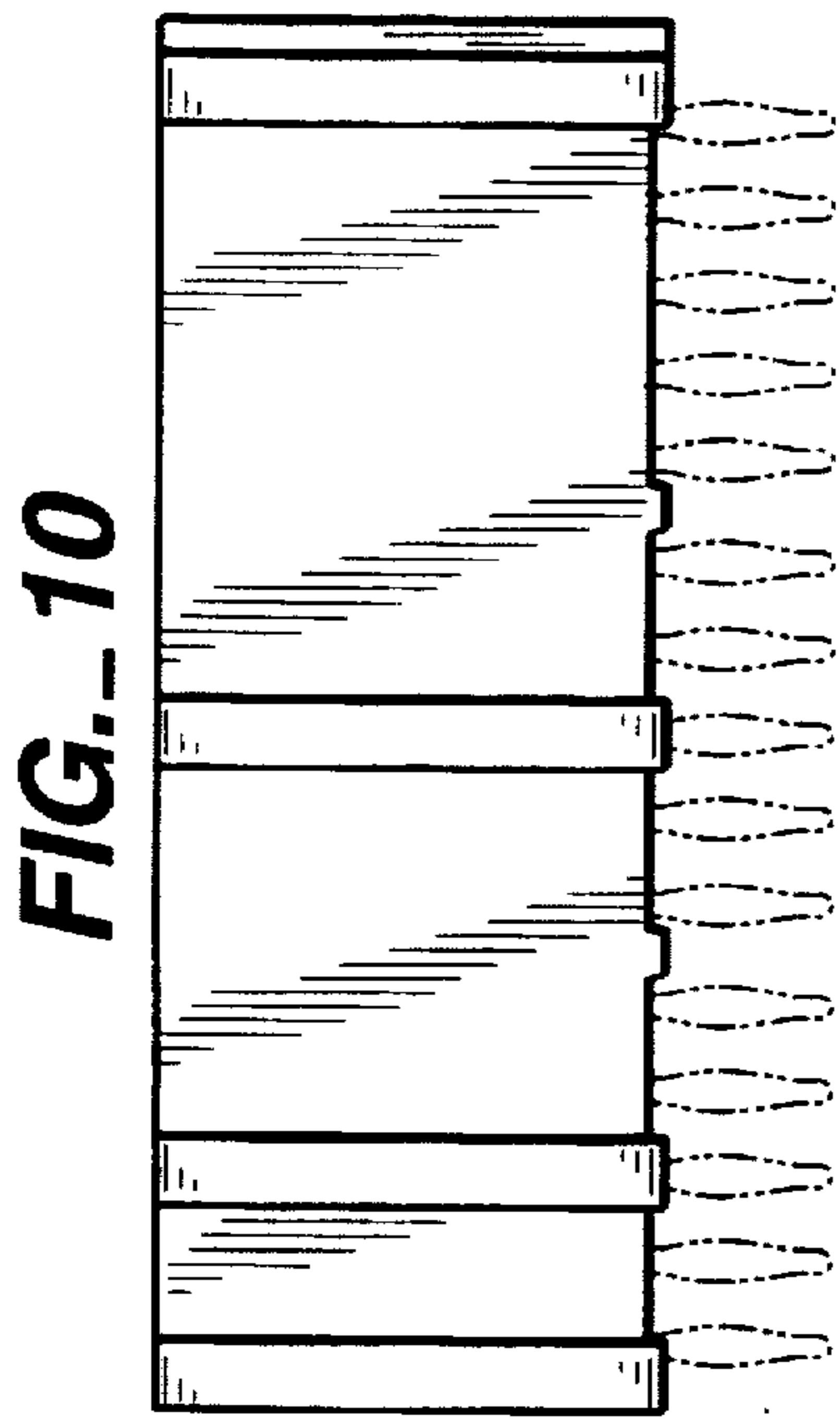


FIG. 13

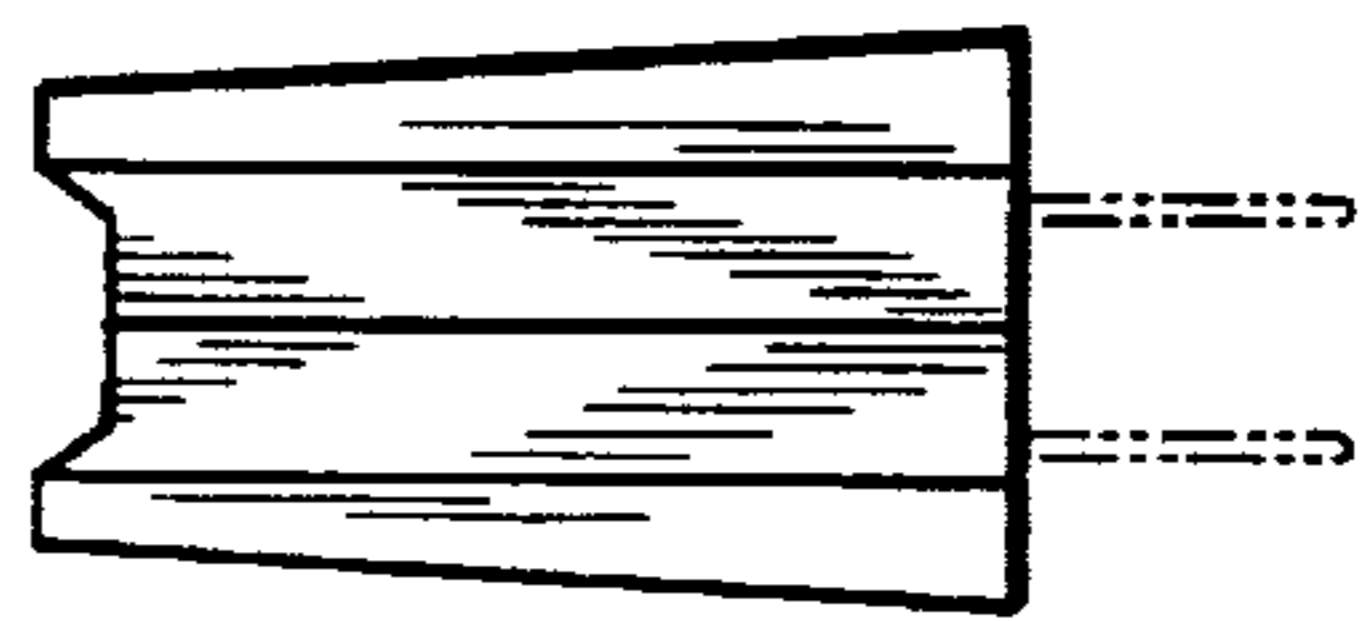
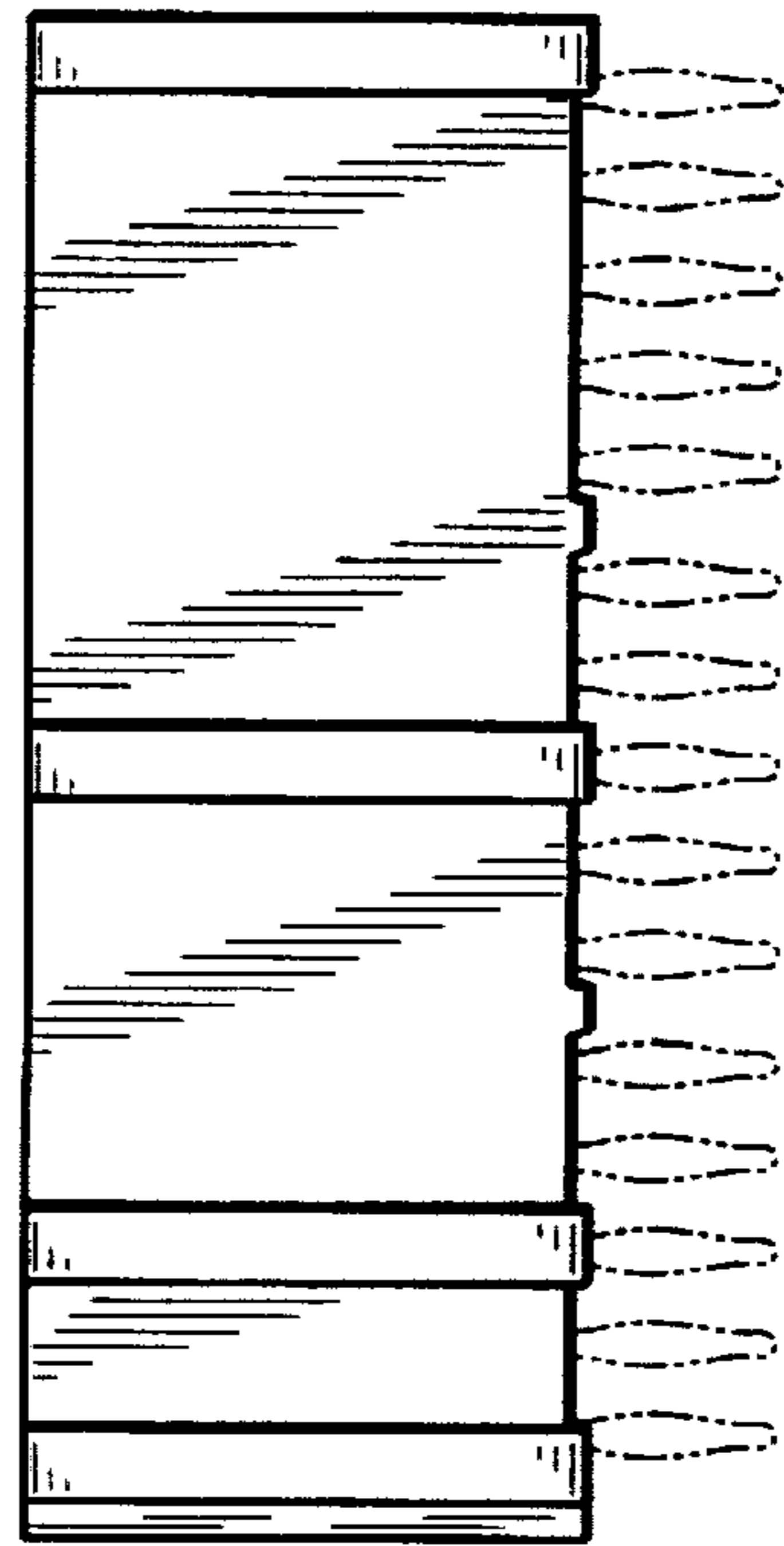
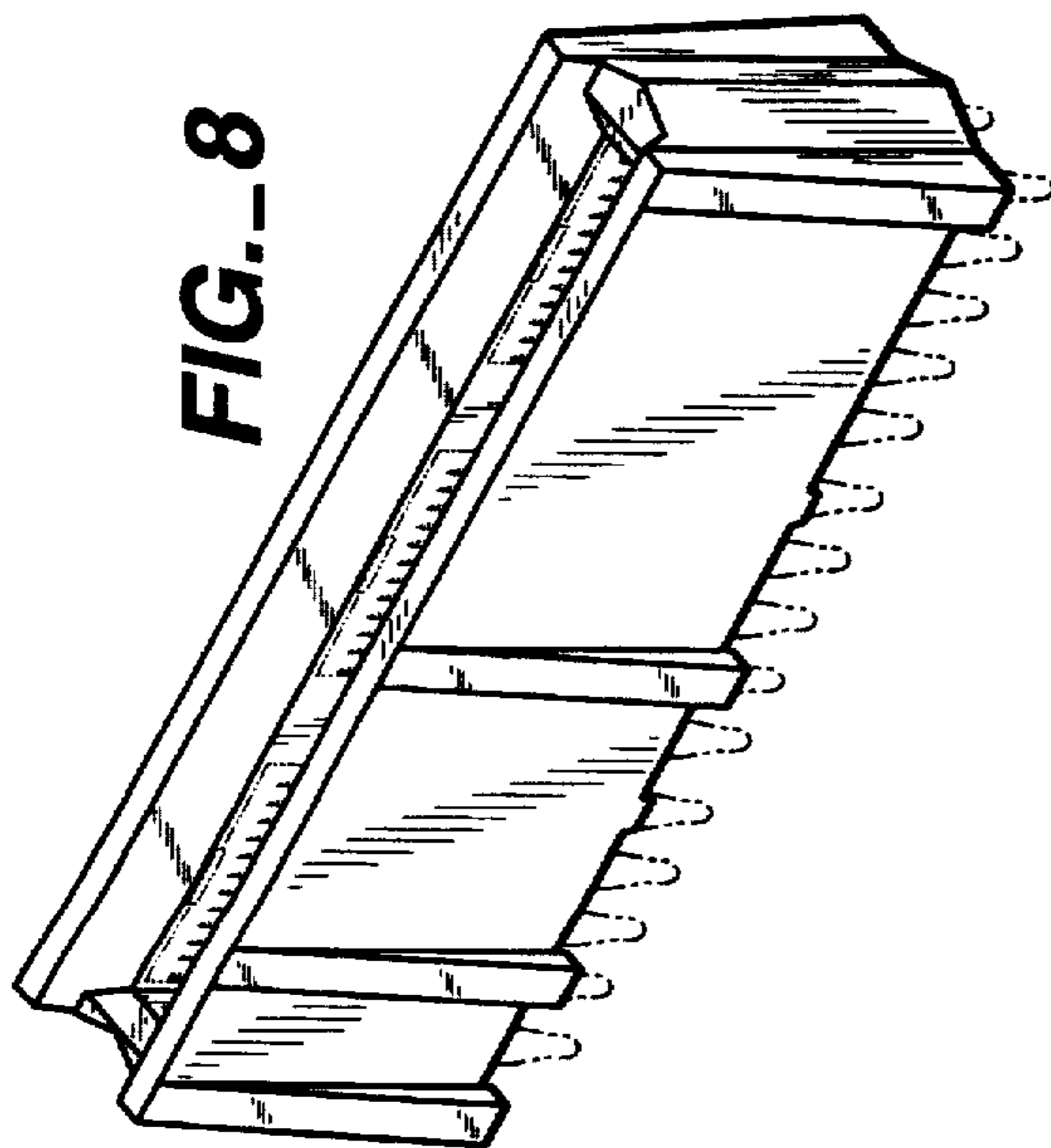
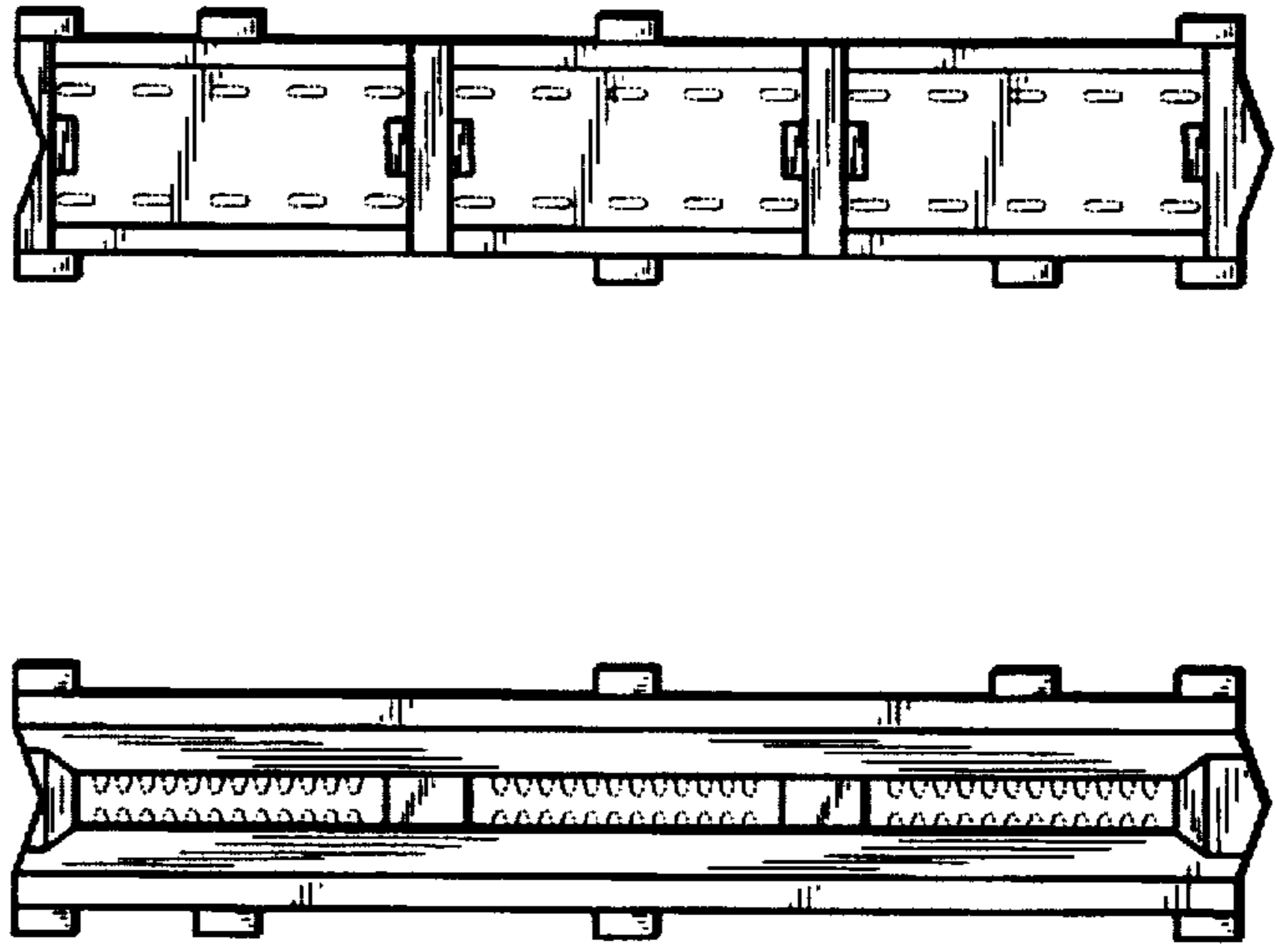


FIG. 14