



US00D408360S

United States Patent [19]
Kosmala

[11] **Patent Number: Des. 408,360**
[45] **Date of Patent: **Apr. 20, 1999**

[54] **CONNECTOR**
[75] **Inventor: Michael L. Kosmala, Aliso Viejo, Calif.**
[73] **Assignee: ITT Manufacturing Enterprises, Inc., Wilmington, Del.**
[**] **Term: 14 Years**
[21] **Appl. No.: 29/083,121**
[22] **Filed: Feb. 4, 1998**
[51] **LOC (6) CL 13-03**
[52] **U.S. Cl. D13/147**
[58] **Field of Search D13/146, 147;**
439/67, 59, 329, 493, 680

5,015,197 5/1991 Redmond .
5,035,641 7/1991 Van-Santbrink .
5,051,610 9/1991 Ikemoto 439/67 X
5,345,364 9/1994 Biernath 439/59 X
5,383,788 1/1995 Spencer .
5,385,478 1/1995 Niekawa 439/67
5,525,072 6/1996 Kunishi 439/67 X

Primary Examiner—Joel Sincavage
Attorney, Agent, or Firm—Thomas L. Peterson

[57] **CLAIM**

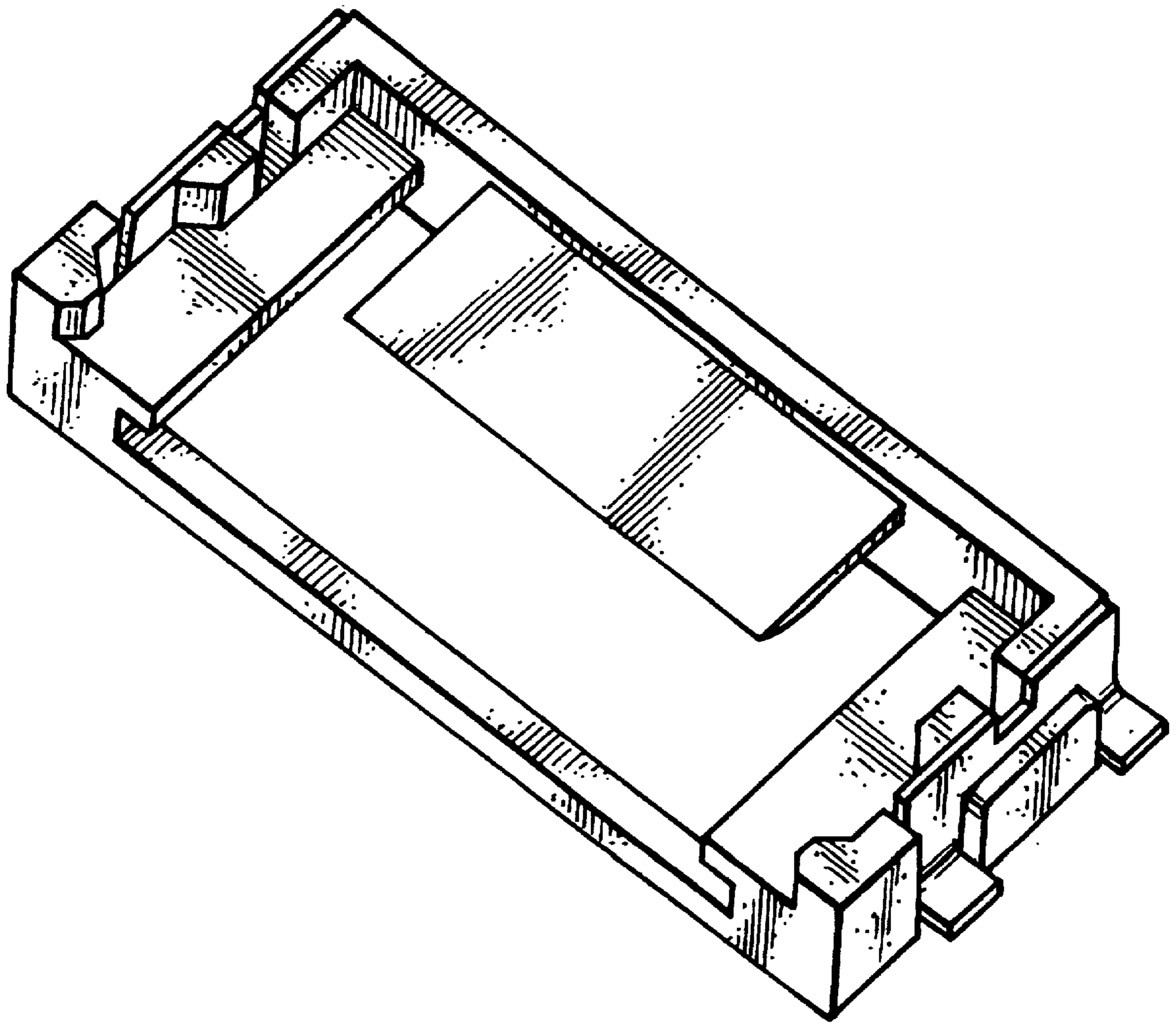
The ornamental design for connector, as shown and described.

DESCRIPTION

FIG. 1 is a top, front and right side isometric view of a connector showing my new design.
FIG. 2 is a plan view thereof.
FIG. 3 is a bottom view thereof.
FIG. 4 is a rear elevational view thereof.
FIG. 5 is a front elevational view thereof; and,
FIG. 6 is a right side elevation view thereof, the left side elevation view being a mirror image thereof.

[56] **References Cited**
U.S. PATENT DOCUMENTS
D. 305,255 12/1989 Komatsu D13/147
3,436,715 4/1969 Matthews .
4,840,586 6/1989 Thomas 439/680
4,919,626 4/1990 Anhalt .
5,013,247 5/1991 Watson .

1 Claim, 2 Drawing Sheets



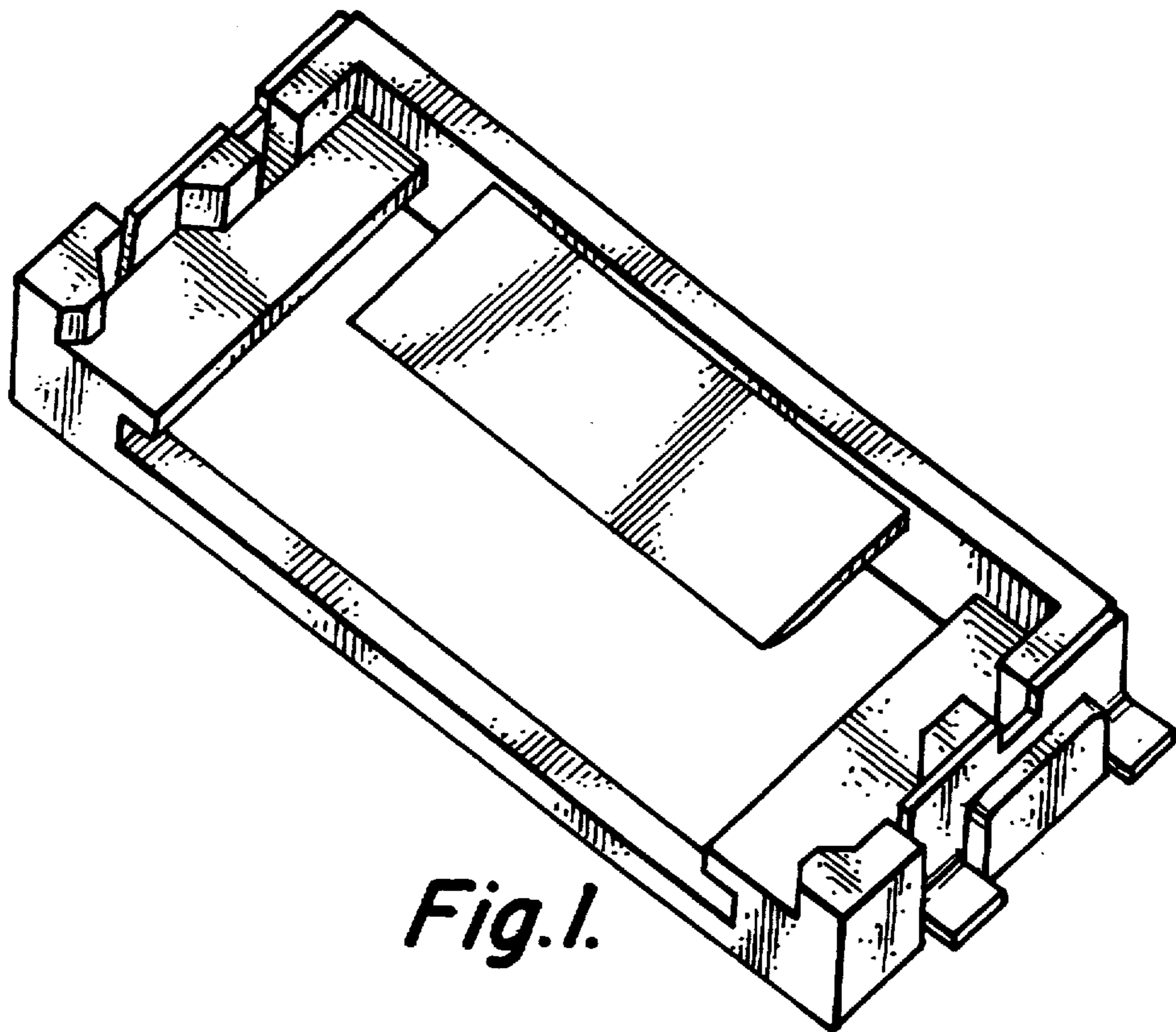


Fig. 1.

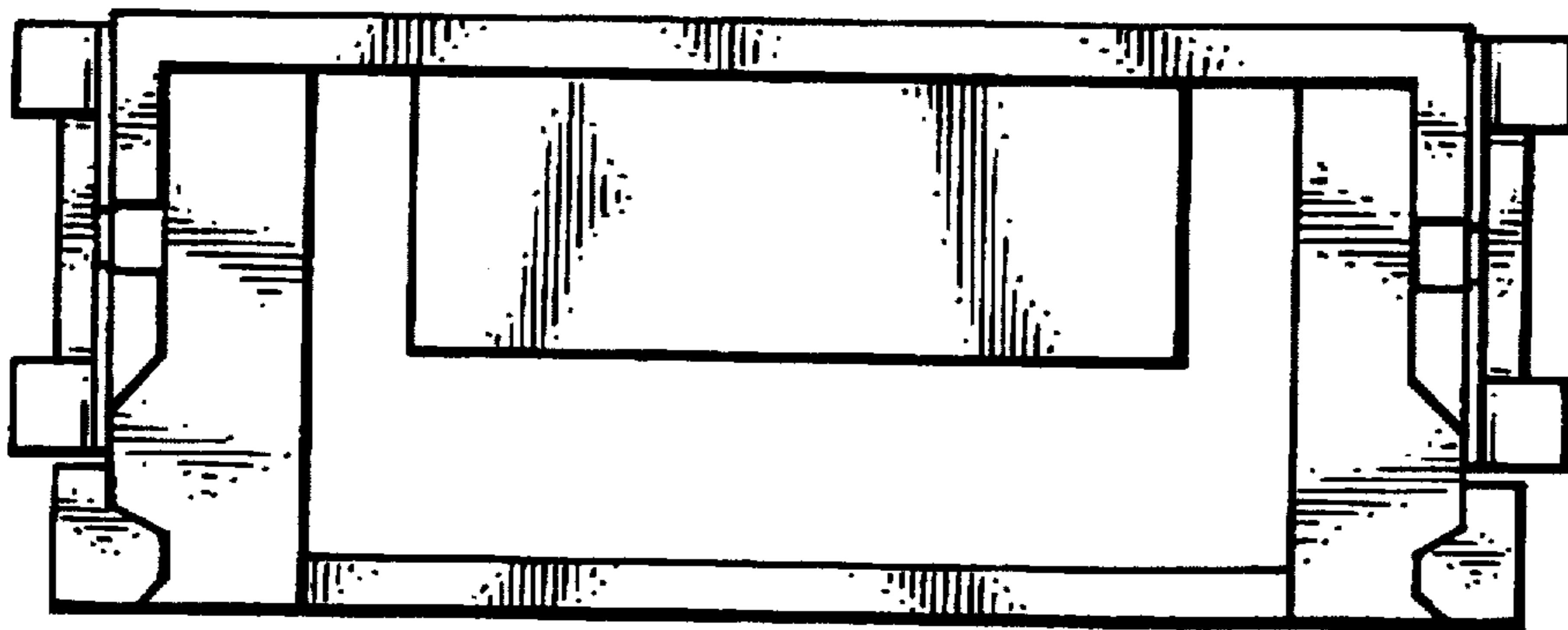


Fig. 2.

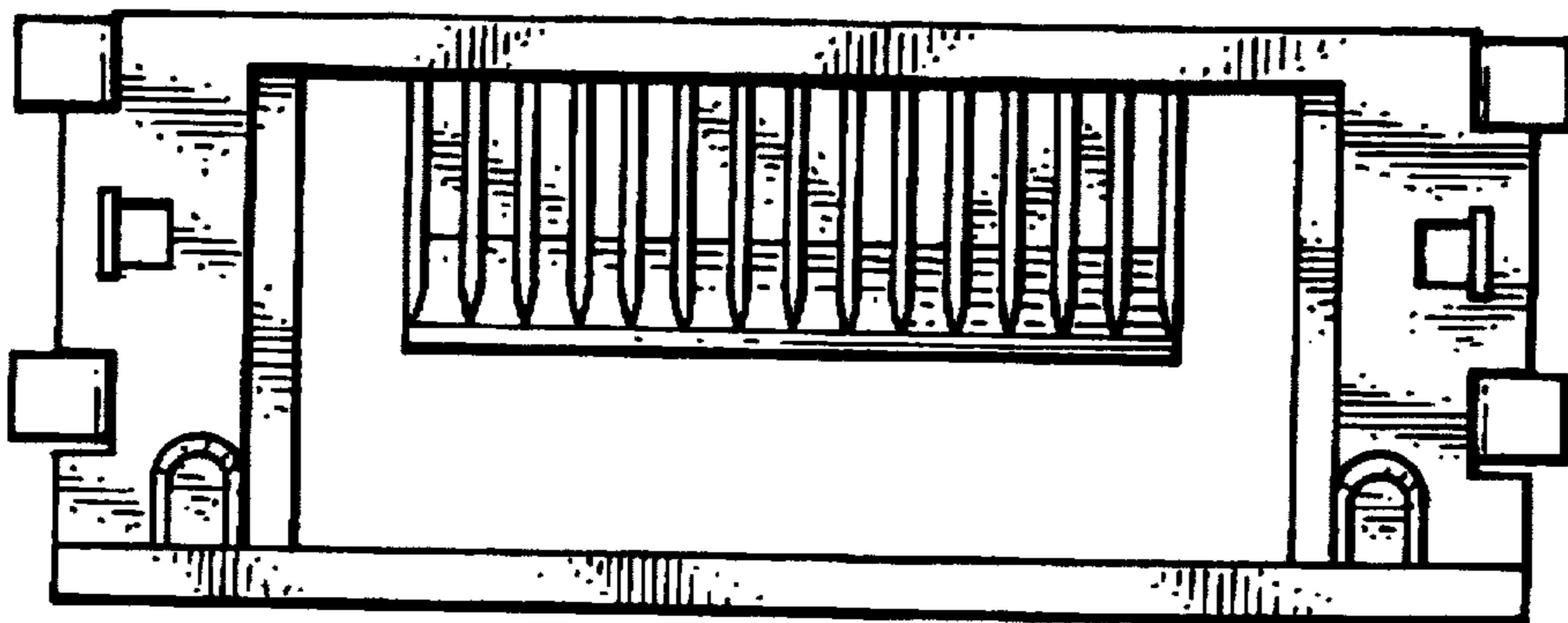


Fig. 3.

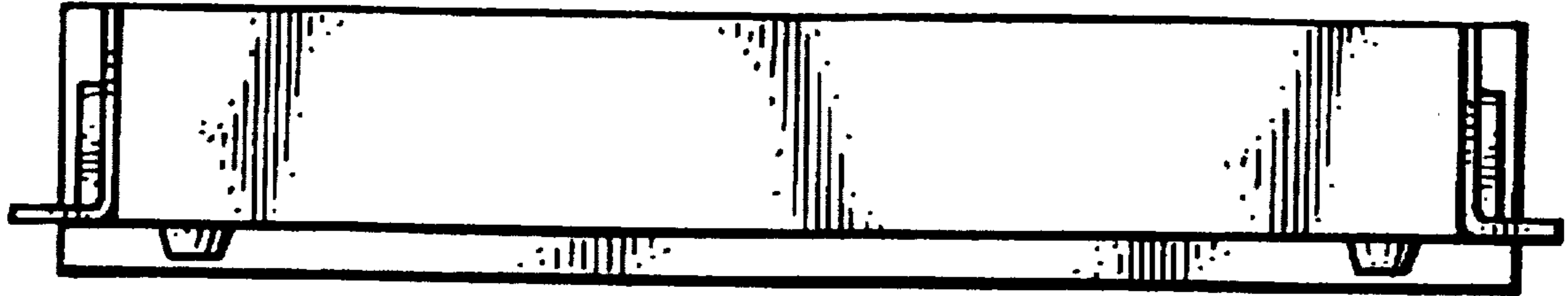


Fig. 4.

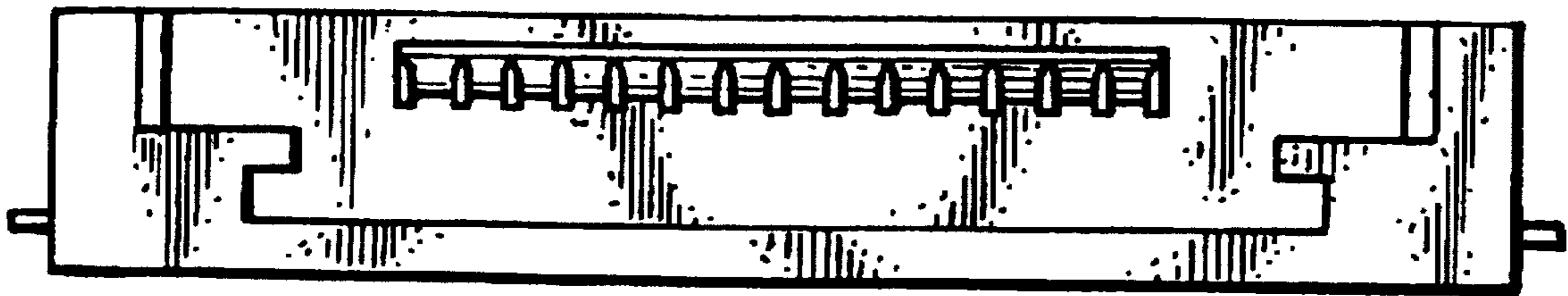


Fig. 5.

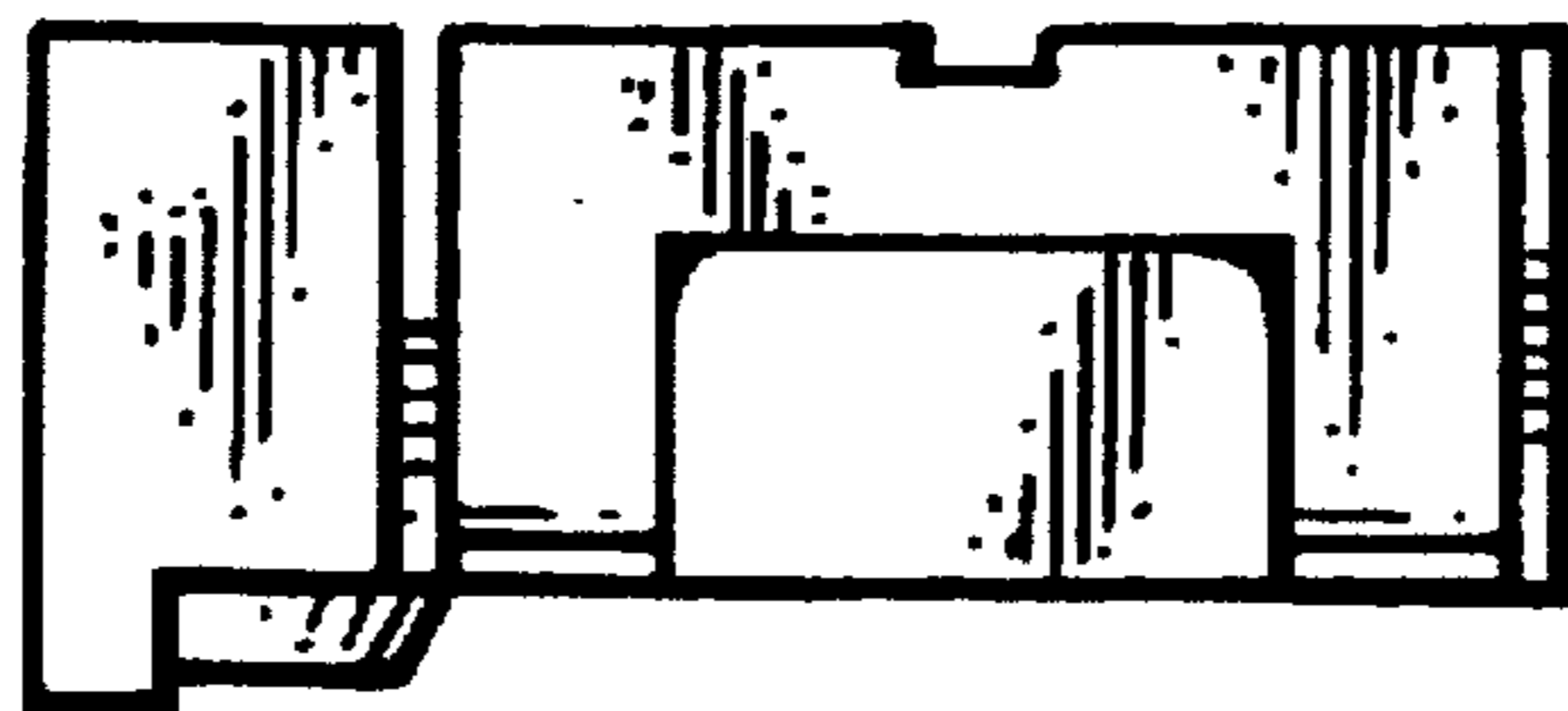


Fig. 6