



US00D408358S

United States Patent [19]

[11] Patent Number: Des. 408,358

Wersching et al.

[45] Date of Patent: **Apr. 20, 1999

[54] FRONT ACCESS CROSS-CONNECT BLOCK

[75] Inventors: **Walter H. Wersching**, Shelby; **Thanh Vo**, Marion, both of N.C.

[73] Assignee: **Hubbell Incorporated**, Orange, Conn.

[**] Term: **14 Years**

[21] Appl. No.: **29/062,908**

[22] Filed: **Dec. 2, 1996**

[51] LOC (6) Cl. **13-03**

[52] U.S. Cl. **D13/147**

[58] Field of Search D13/146, 147; D14/107; 439/540.1, 535, 639, 653, 676

[56] References Cited

U.S. PATENT DOCUMENTS

D. 303,246	9/1989	Freeman et al.	D13/147
D. 317,750	6/1991	Bellomo et al.	D13/147
D. 396,690	8/1998	Fryers	D13/147
3,327,174	6/1967	Barre et al.	317/101
4,220,391	9/1980	Krolak et al.	339/126 R
4,290,664	9/1981	Davis et al.	339/156 R
4,303,296	12/1981	Spaulding	339/122 R
4,767,338	8/1988	Dennis et al.	439/55
4,829,564	5/1989	Jarvis	379/327
4,925,393	5/1990	Ingalsbe	439/76

(List continued on next page.)

OTHER PUBLICATIONS

Homoco Catalog, Optima Access Panel, p. 6, Jul. 1994.
Interlink, Wiremold Catalog, Wall Mount Distribution Panels; p. 18, date unknown.

Primary Examiner—Joel Sincavage
Attorney, Agent, or Firm—Jerry M. Presson; Mark S. Bicks

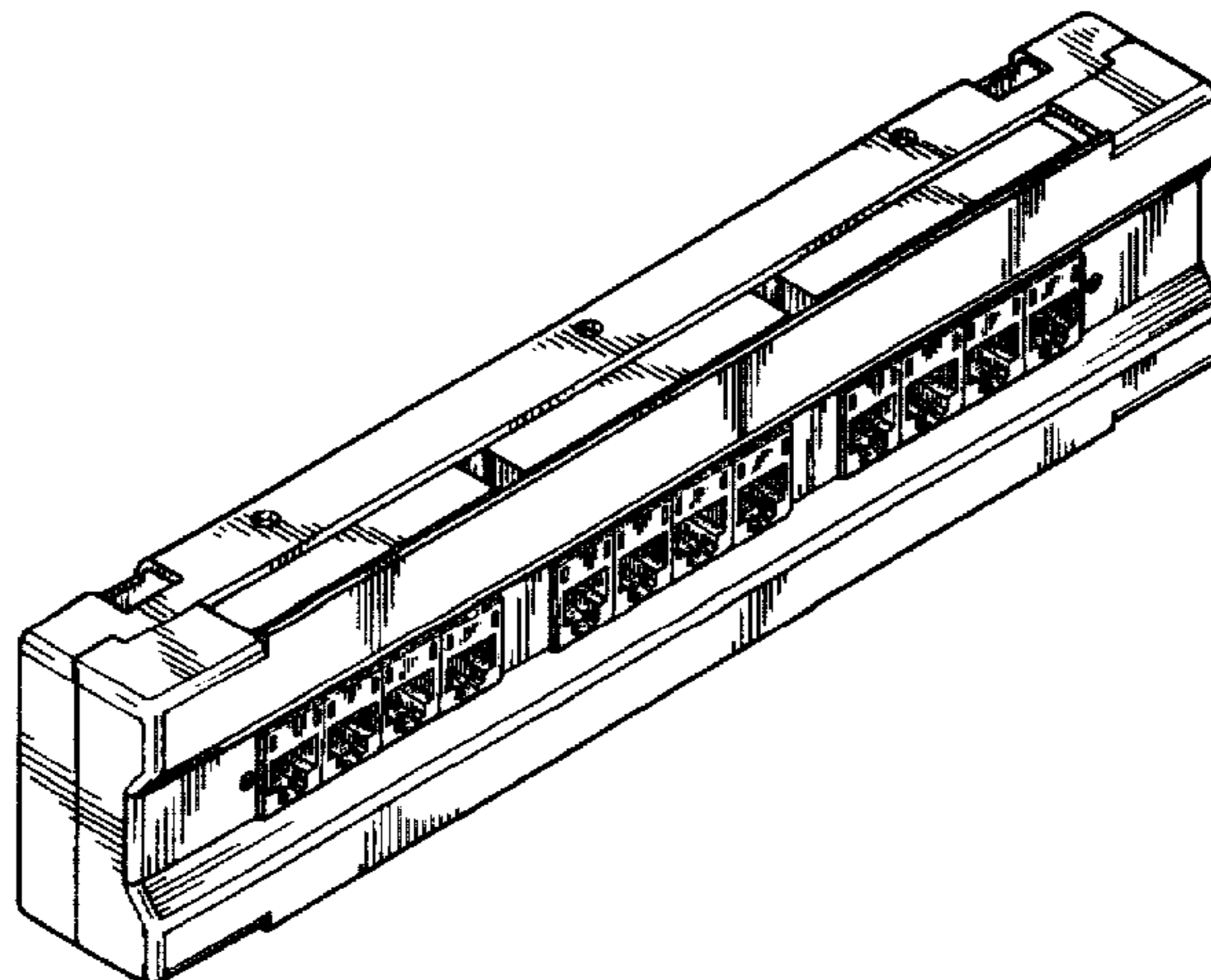
[57] CLAIM

The ornamental design for a front access cross-connect block, as shown and described.

DESCRIPTION

FIG. 1 is a front and upper left perspective view of a front access-connect block according to our new design;
 FIG. 2 is a front elevational view thereof;
 FIG. 3 is a rear elevational view thereof;
 FIG. 4 is a top plan view thereof, the bottom plan view being a mirror image except for the presence of the left and right corner notches at parting line between the front and rear members of the housing;
 FIG. 5 is a left side elevational view thereof, the right side elevational view being a mirror image;
 FIG. 6 is a front and upper left perspective view of a front access-connect block, the front half of the housing being removed for the purpose of clarifying features and contours which may not be apparent from the remaining illustrations;
 FIG. 7 is a front elevational view thereof;
 FIG. 8 is a top plan view thereof, the bottom plan view being a mirror image except for the presence of the left and right corner notches at a parting line between the front and rear members of the housing;
 FIG. 9 is a left side elevational view thereof, the right side elevational view being a mirror image;
 FIG. 10 is a front and upper left perspective view of a front access-connect block, the adapter being removed from within the housing for the purpose of clarifying features and contours which may not be apparent from the remaining illustrations;
 FIG. 11 is a front elevational view thereof;
 FIG. 12 is a top plan view thereof, the bottom plan view being a mirror image except for the presence of the left and right corner notches at parting line between the front and rear members of the housing;
 FIG. 13 is a front and upper left perspective view of a front access-connect block, the outer housing being removed for the purpose of clarifying features and contours which may not be apparent from the remaining illustrations;
 FIG. 14 is a front elevational view thereof;
 FIG. 15 is a rear elevational view thereof;
 FIG. 16 is a top plan view thereof, the bottom plan view being a mirror image; and,
 FIG. 17 is a left side elevational view thereof, the right side elevational view being a mirror image.

1 Claim, 10 Drawing Sheets



U.S. PATENT DOCUMENTS

4,993,970	2/1991	Littrell	439/535	5,519,571	5/1996	Shieh	361/685
5,091,825	2/1992	Arnett et al.	361/408	5,545,053	8/1996	Ishii et al.	439/364
5,145,380	9/1992	Holcomb et al.	439/49	5,562,507	10/1996	Kan	439/676
5,310,363	5/1994	Brownell et al.	439/676	5,639,267	6/1997	Loudermilk	439/676 X
5,431,586	7/1995	Klas et al.	439/676	5,647,763	7/1997	Arnold et al.	439/540.1
				5,700,167	12/1997	Pharney et al.	439/676

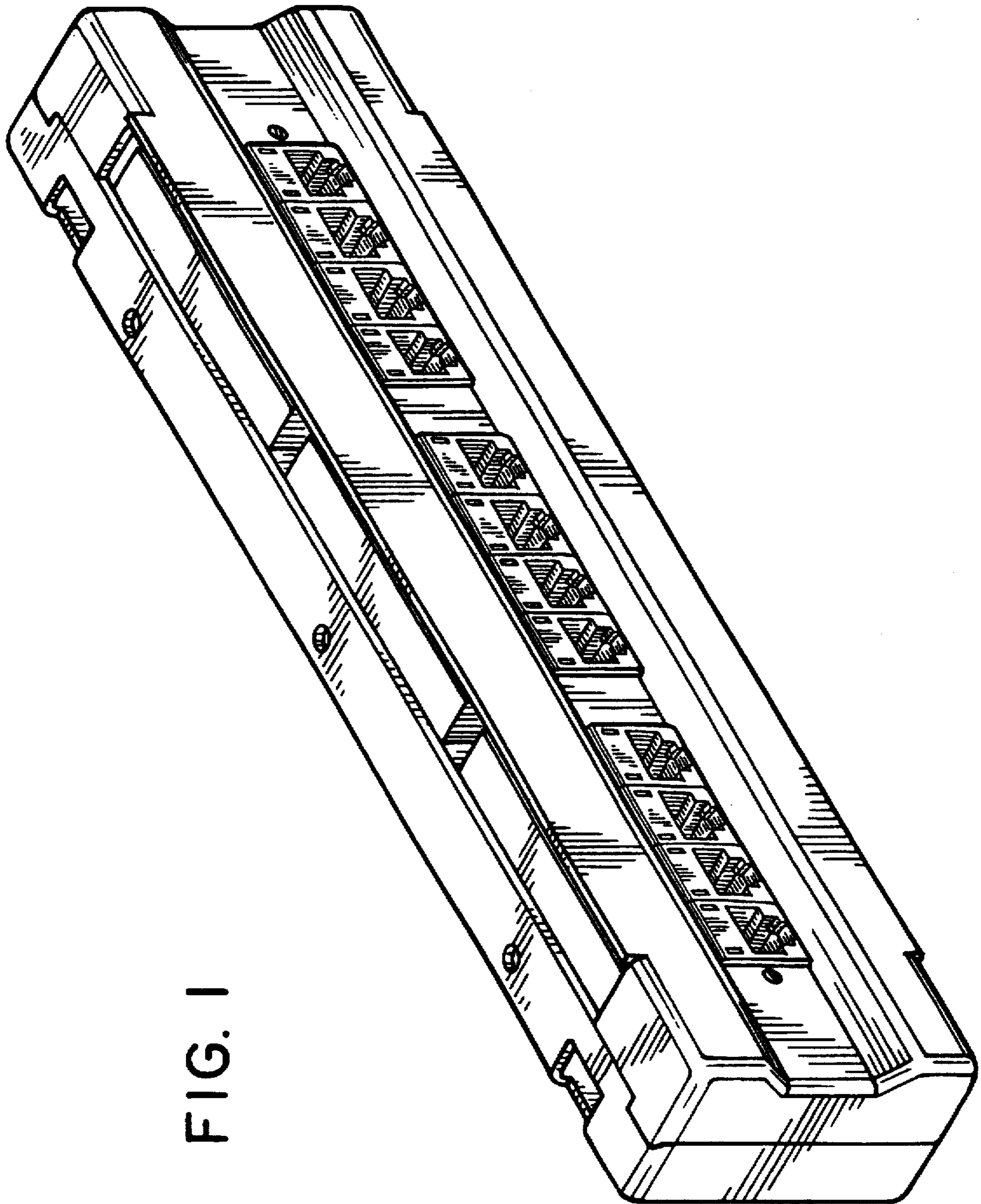


FIG. 1

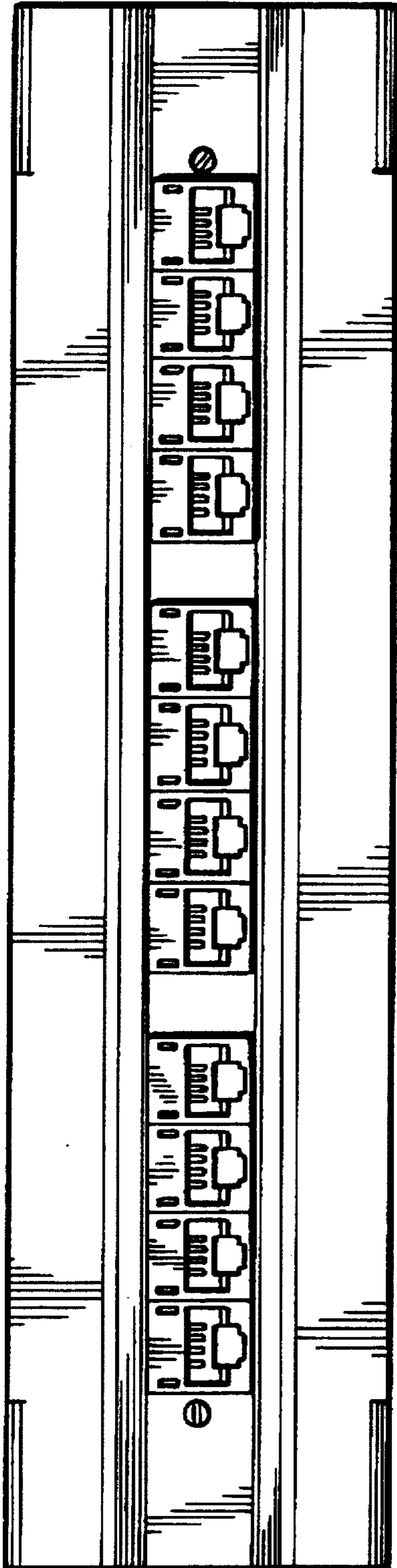


FIG. 2

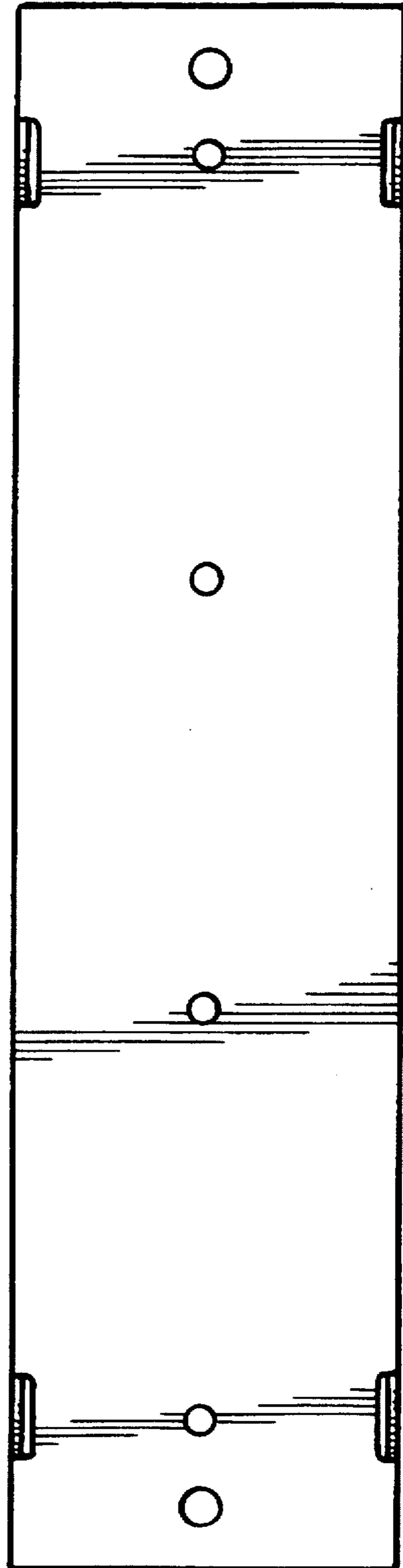


FIG. 3

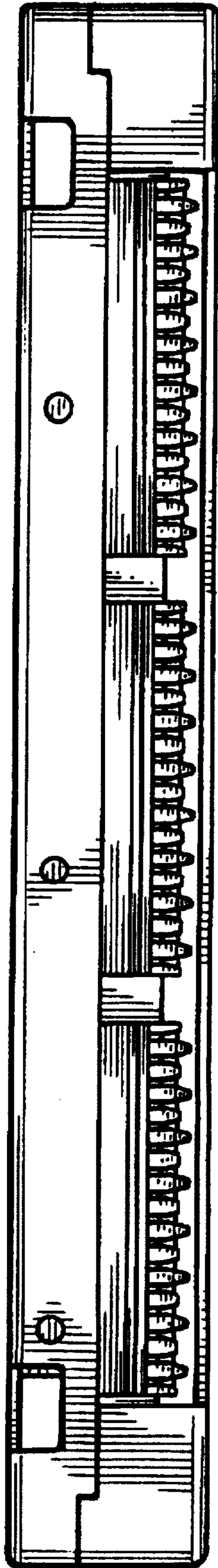


FIG. 4

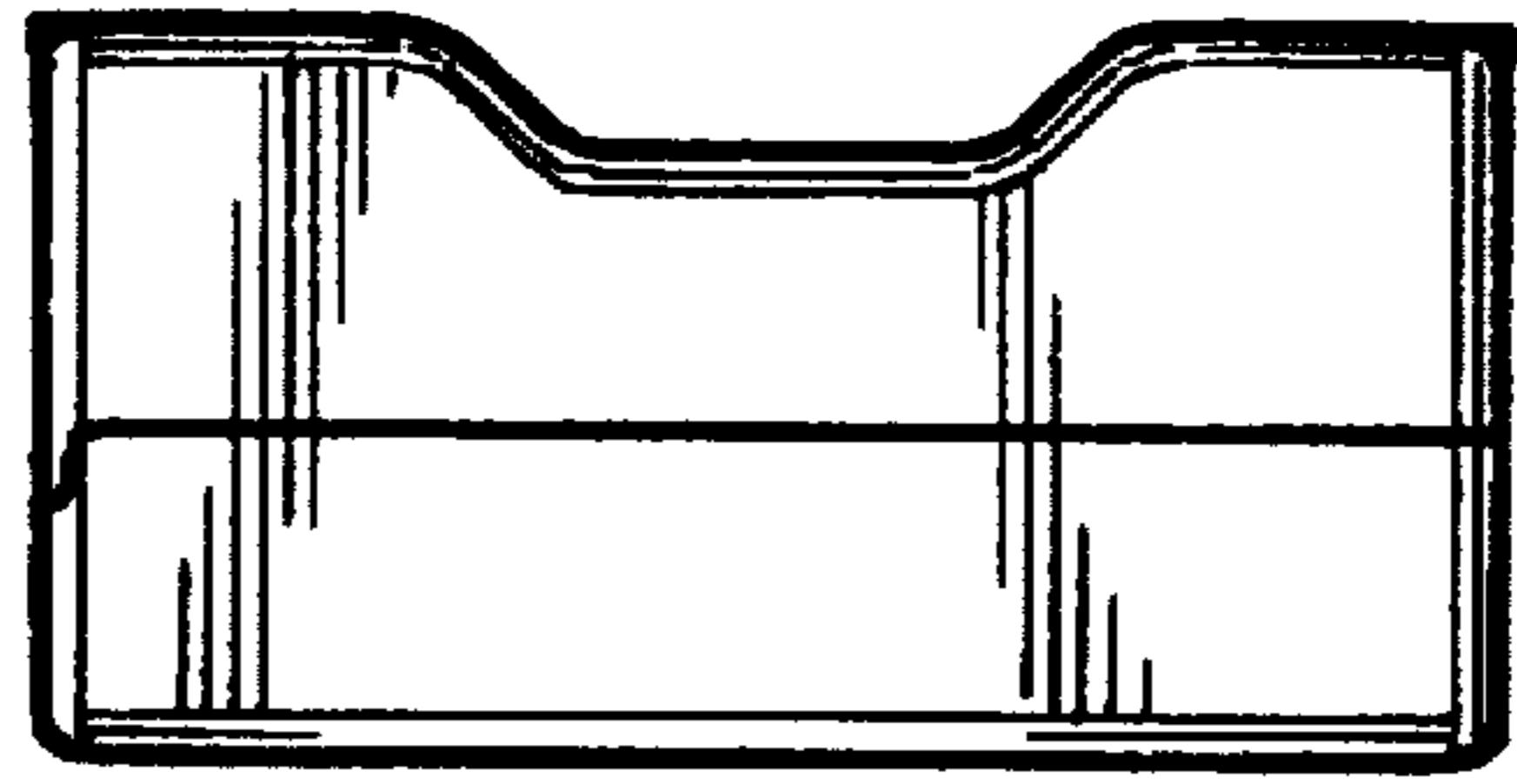


FIG. 5

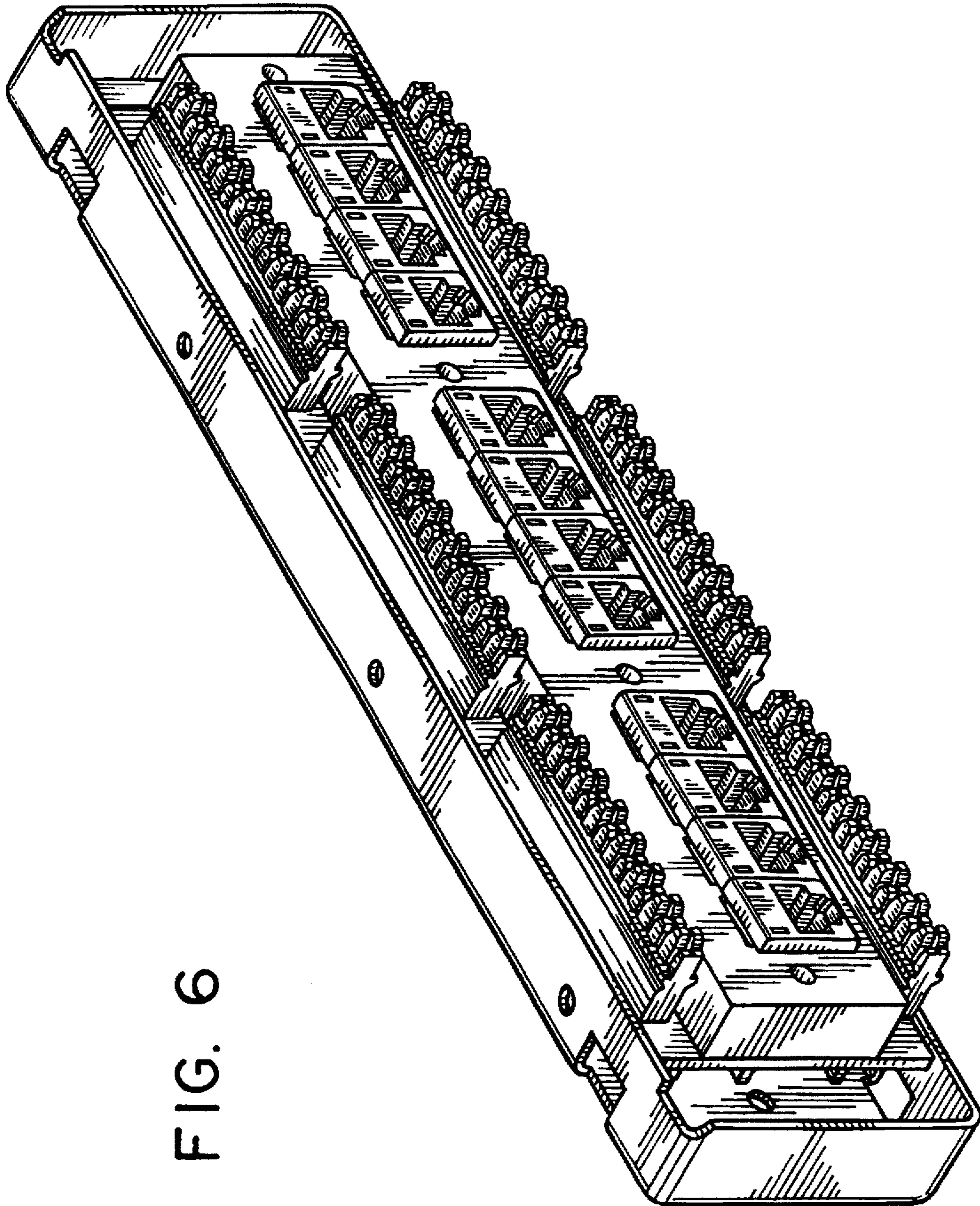


FIG. 6

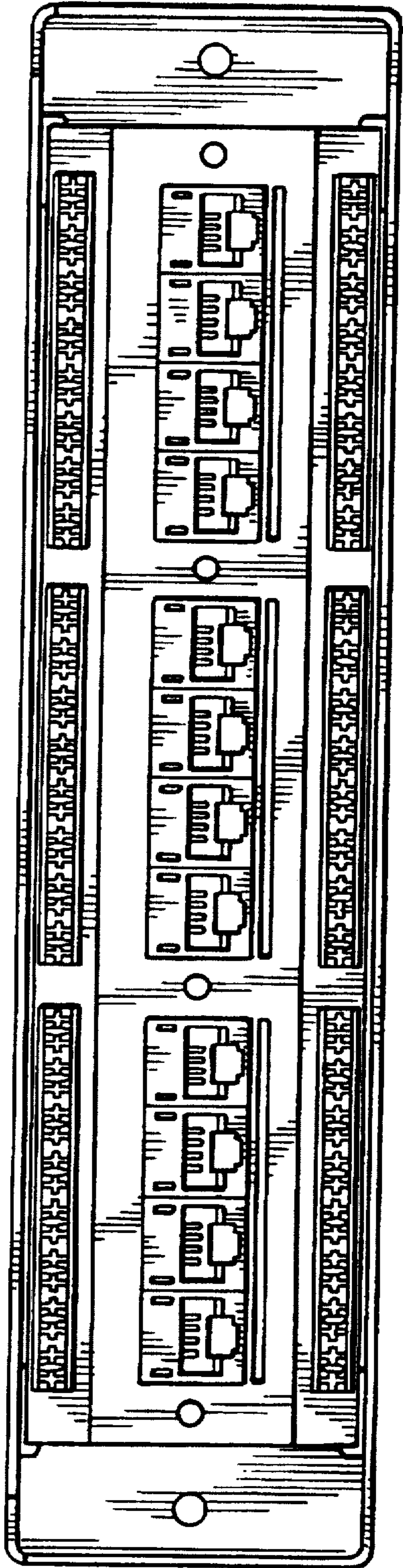


FIG. 7

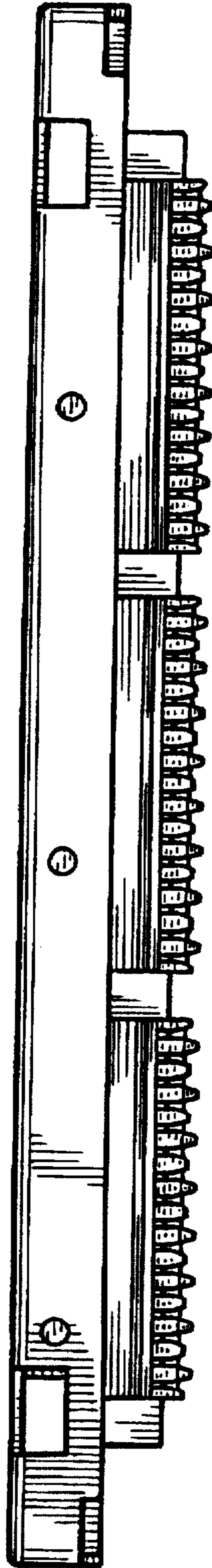


FIG. 8

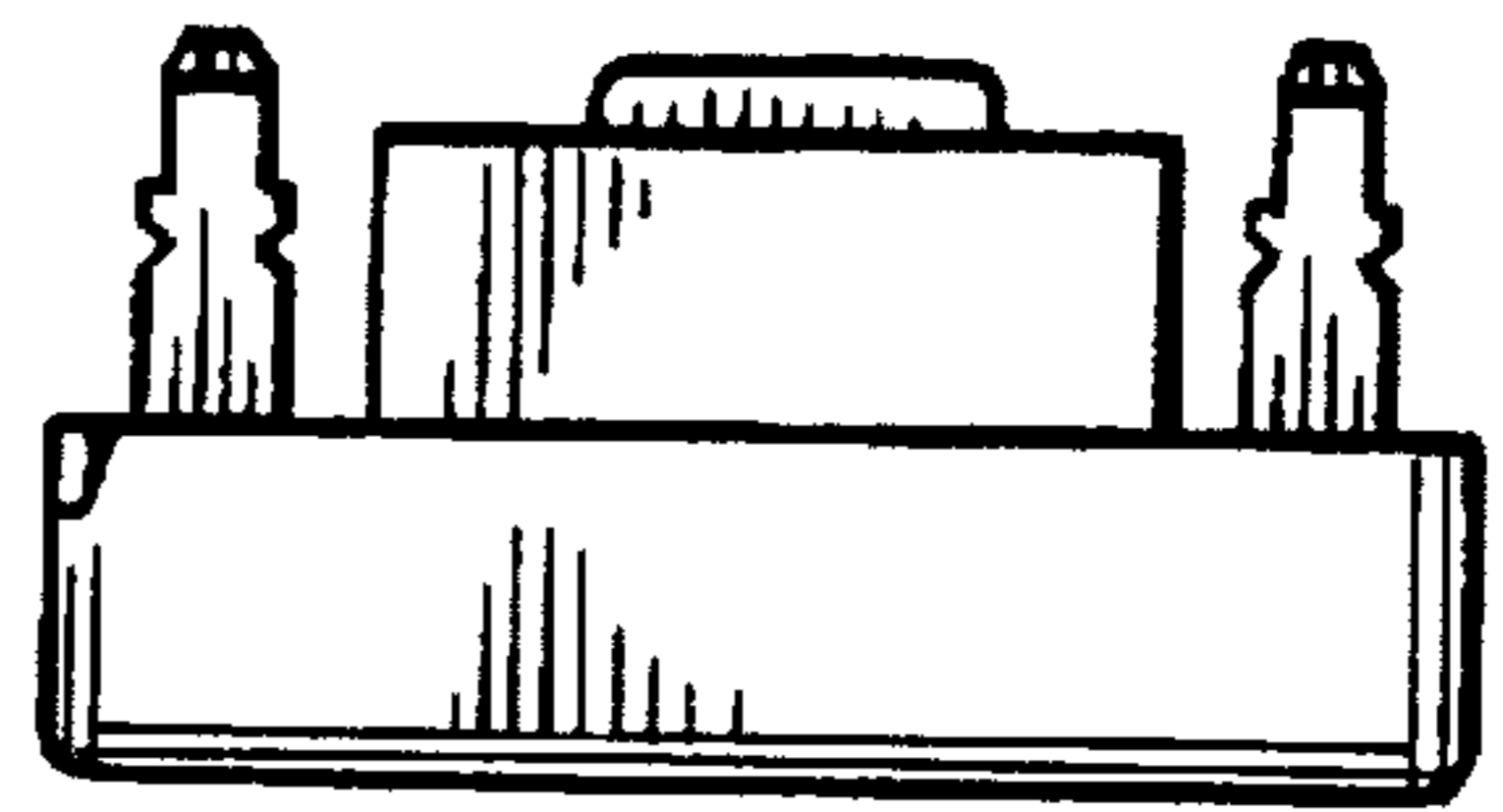


FIG. 9

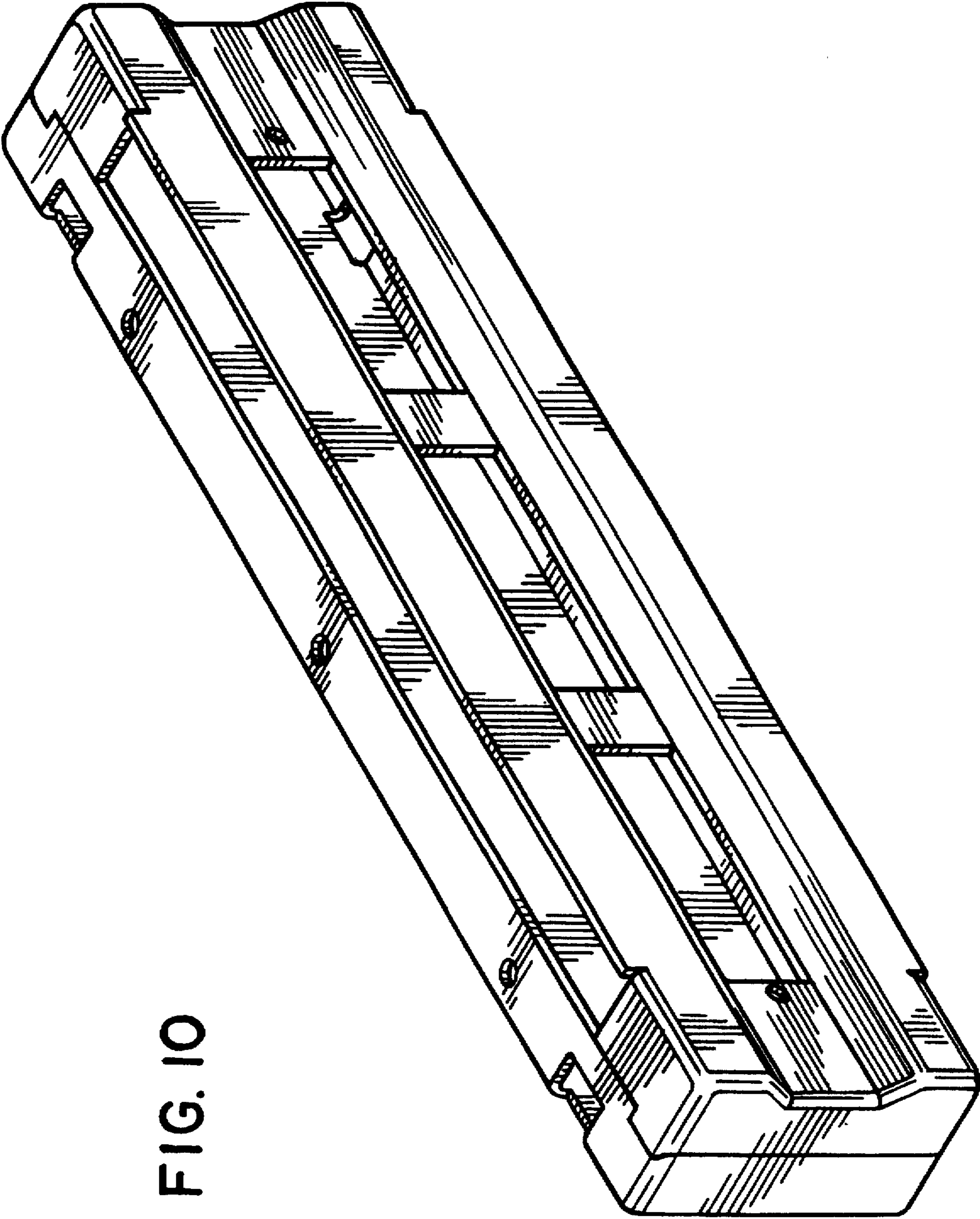


FIG. 10

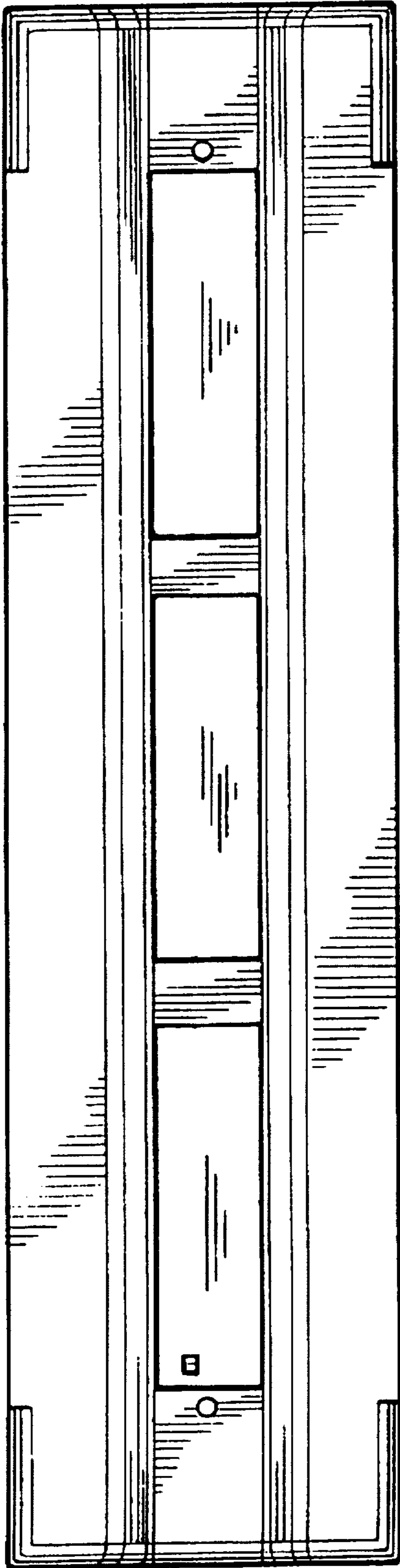


FIG. 11

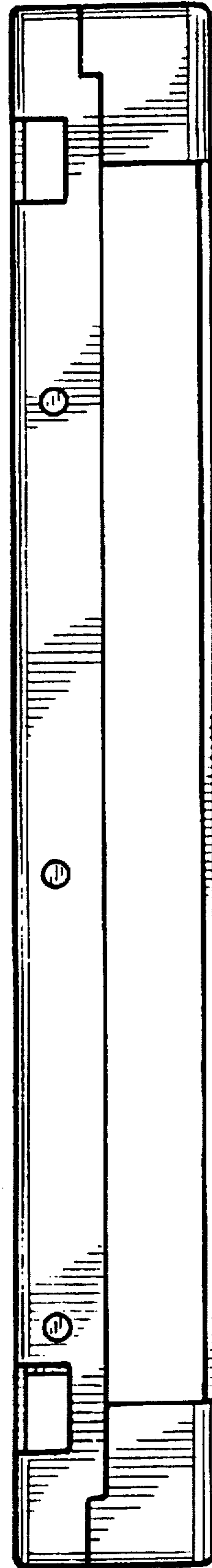


FIG. 12

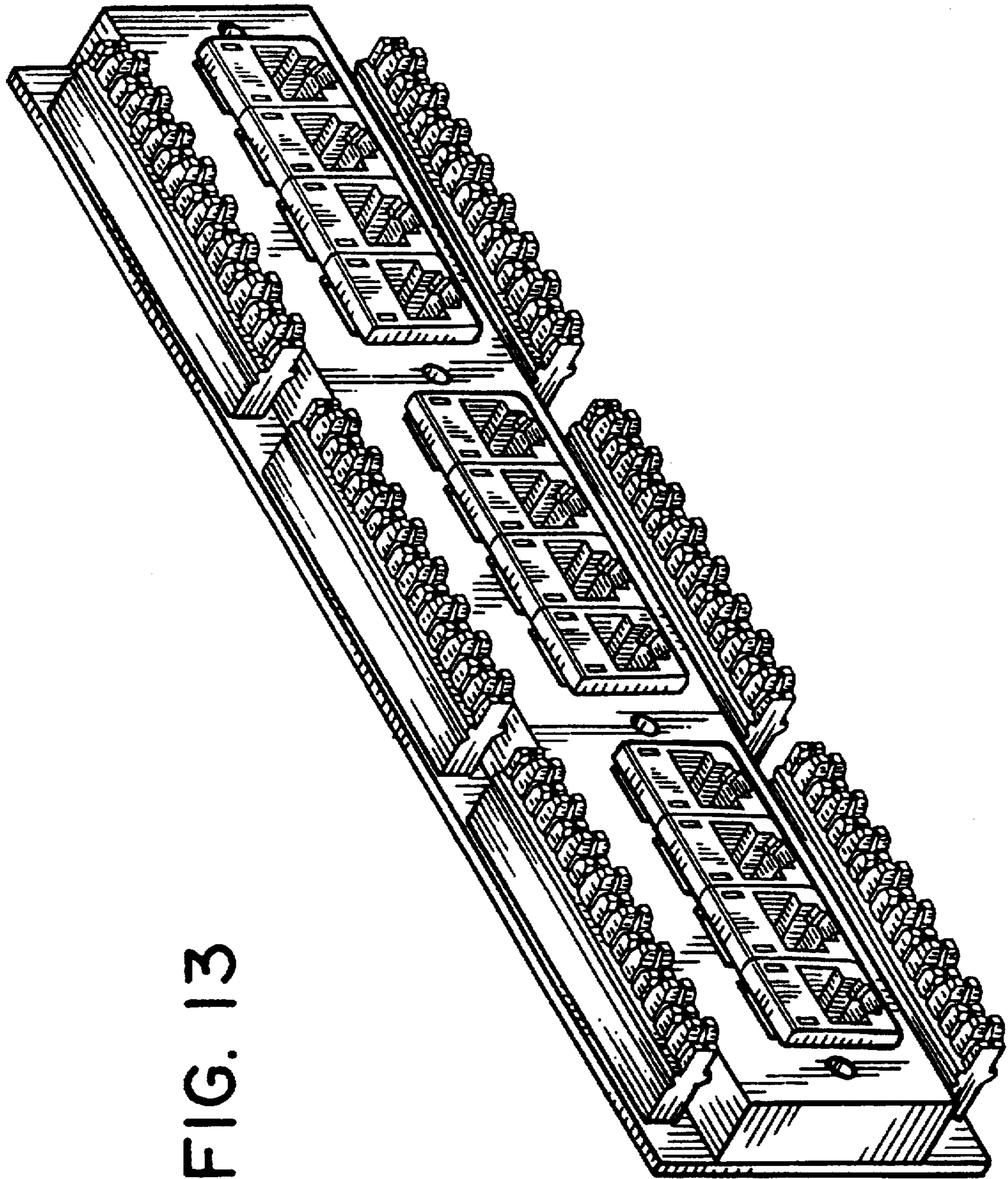


FIG. 13

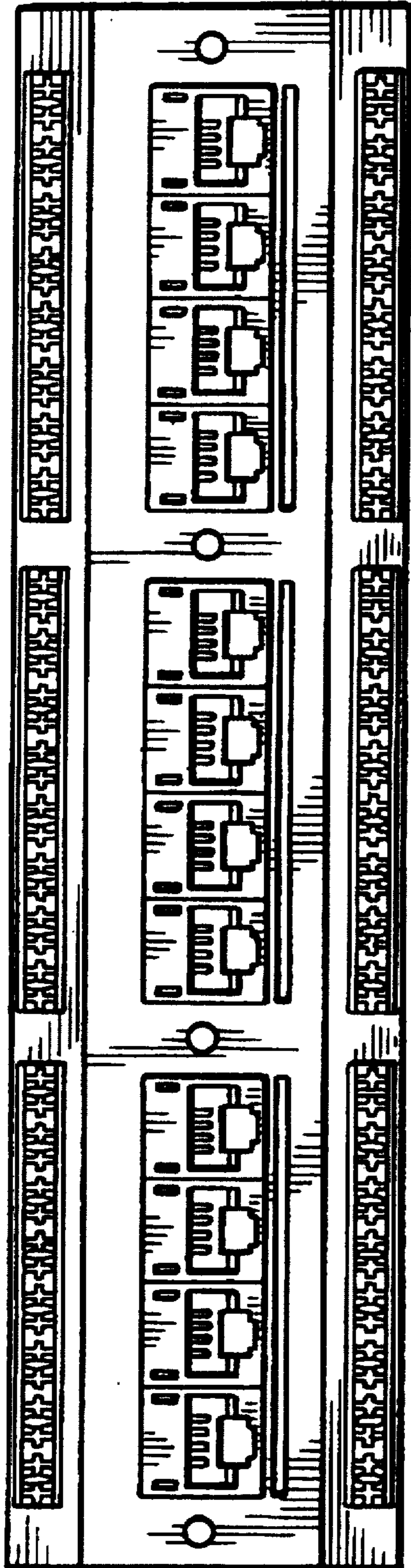


FIG. 14

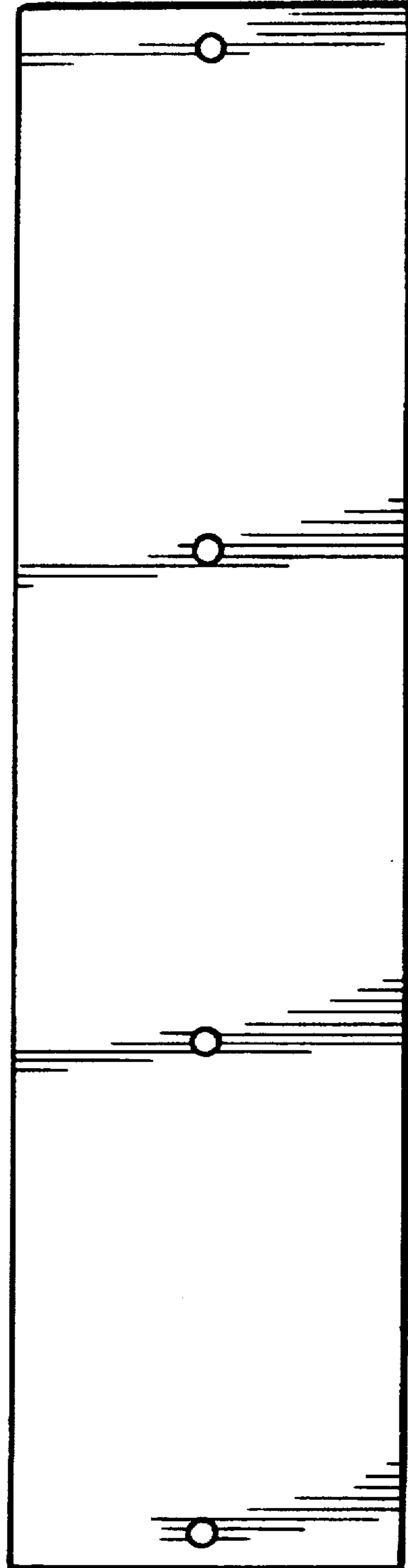


FIG. 15

FIG. 16

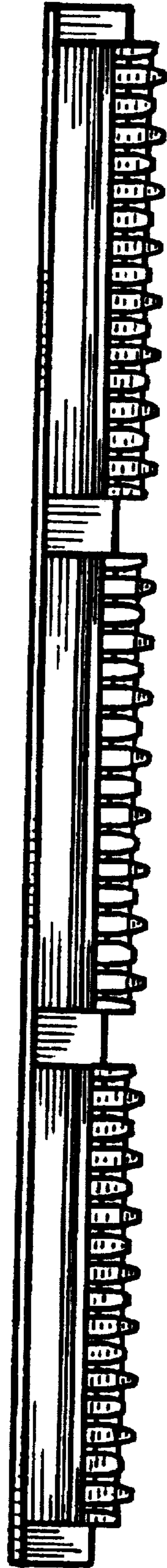


FIG. 17

