



US00D408352S

**United States Patent** [19]  
**Tashiro**

[11] **Patent Number:** **Des. 408,352**  
[45] **Date of Patent:** **\*\*Apr. 20, 1999**

[54] **BATTERY CHARGER**

[75] **Inventor:** **Naoki Tashiro, Kawasaki, Japan**

[73] **Assignee:** **Canon Kabushiki Kaisha, Tokyo, Japan**

[\*\*] **Term:** **14 Years**

[21] **Appl. No.:** **29/091,273**

[22] **Filed:** **Jul. 27, 1998**

[30] **Foreign Application Priority Data**

Jan. 30, 1998 [JP] Japan ..... 10-002424

[51] **LOC (6) Cl.** ..... **13-02**

[52] **U.S. Cl.** ..... **D13/107**

[58] **Field of Search** ..... **D13/107, 108, D13/118; 320/110, 112-115**

[56] **References Cited**

**U.S. PATENT DOCUMENTS**

D. 328,450 8/1992 Watanabe et al. .... D13/108

*Primary Examiner*—Joel Sincavage  
*Attorney, Agent, or Firm*—Fitzpatrick, Cella, Harper & Scinto

[57] **CLAIM**

The ornamental design for a battery charger, as shown and described.

**DESCRIPTION**

FIG. 1 is a front view of a battery charger showing my new design;

FIG. 2 is a rear view thereof;

FIG. 3 is a top plan view thereof;

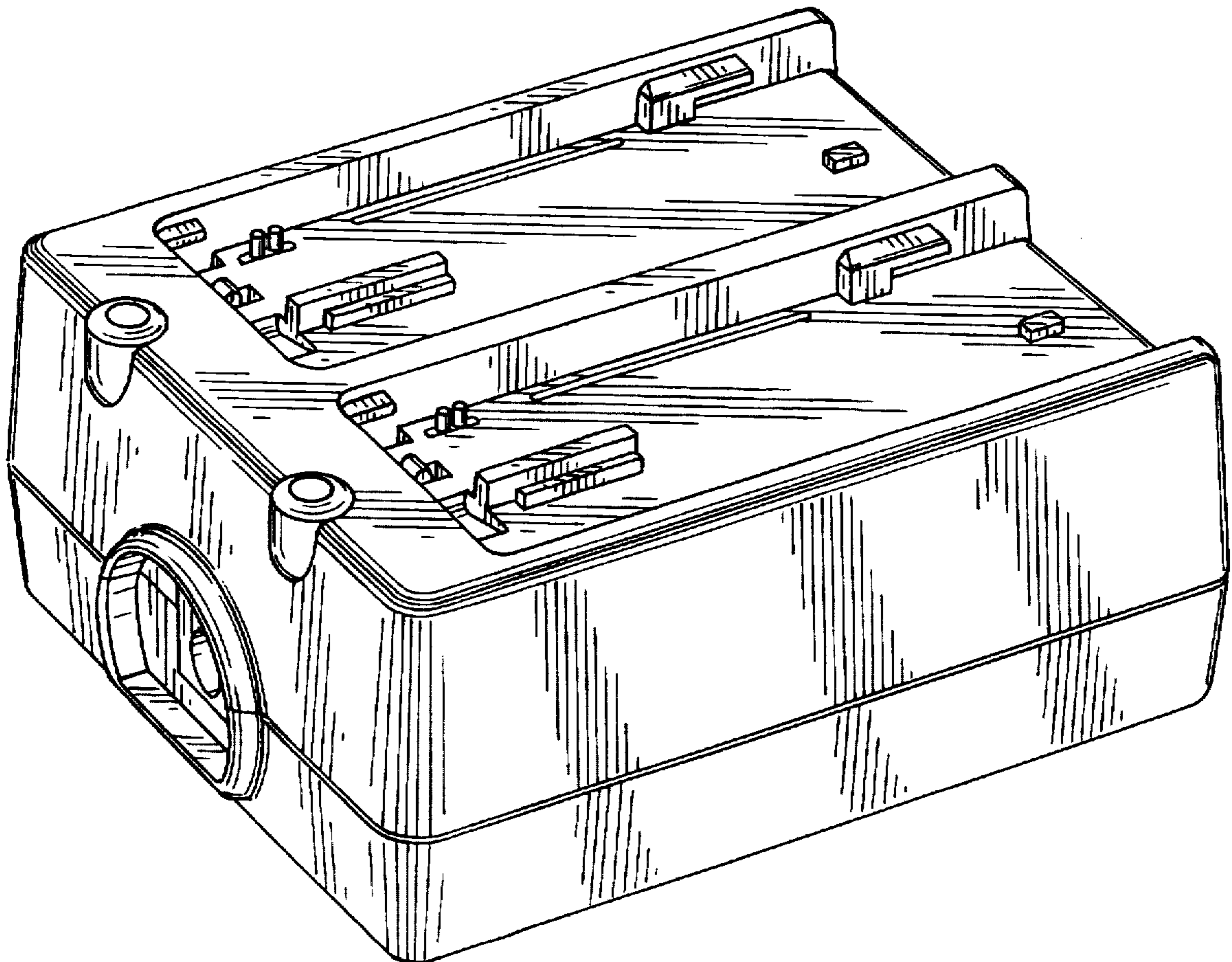
FIG. 4 is a bottom plan view thereof;

FIG. 5 is a left side view thereof;

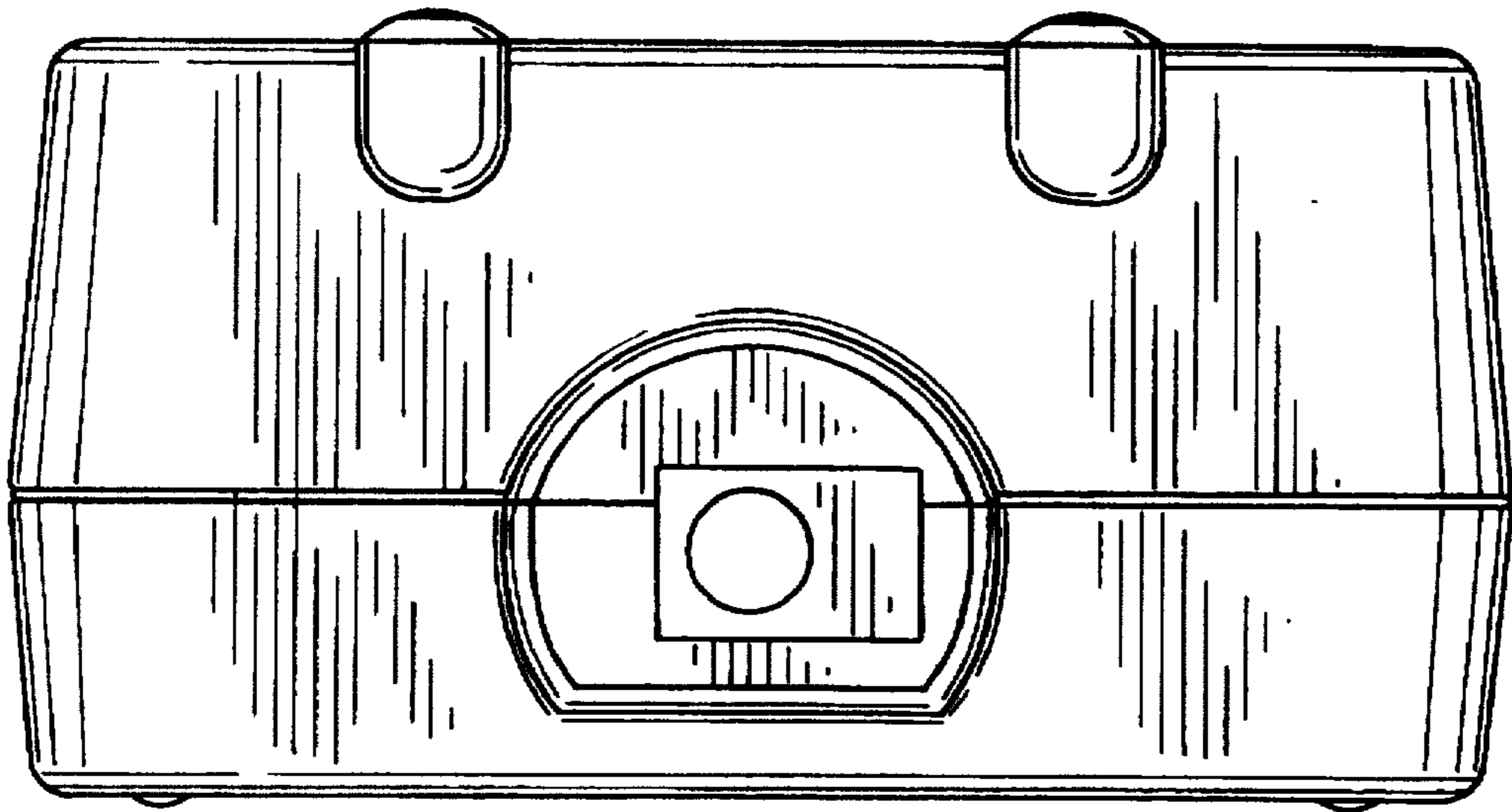
FIG. 6 is a right side view thereof; and,

FIG. 7 is a perspective view thereof.

**1 Claim, 4 Drawing Sheets**



*FIG. 1*



*FIG. 2*

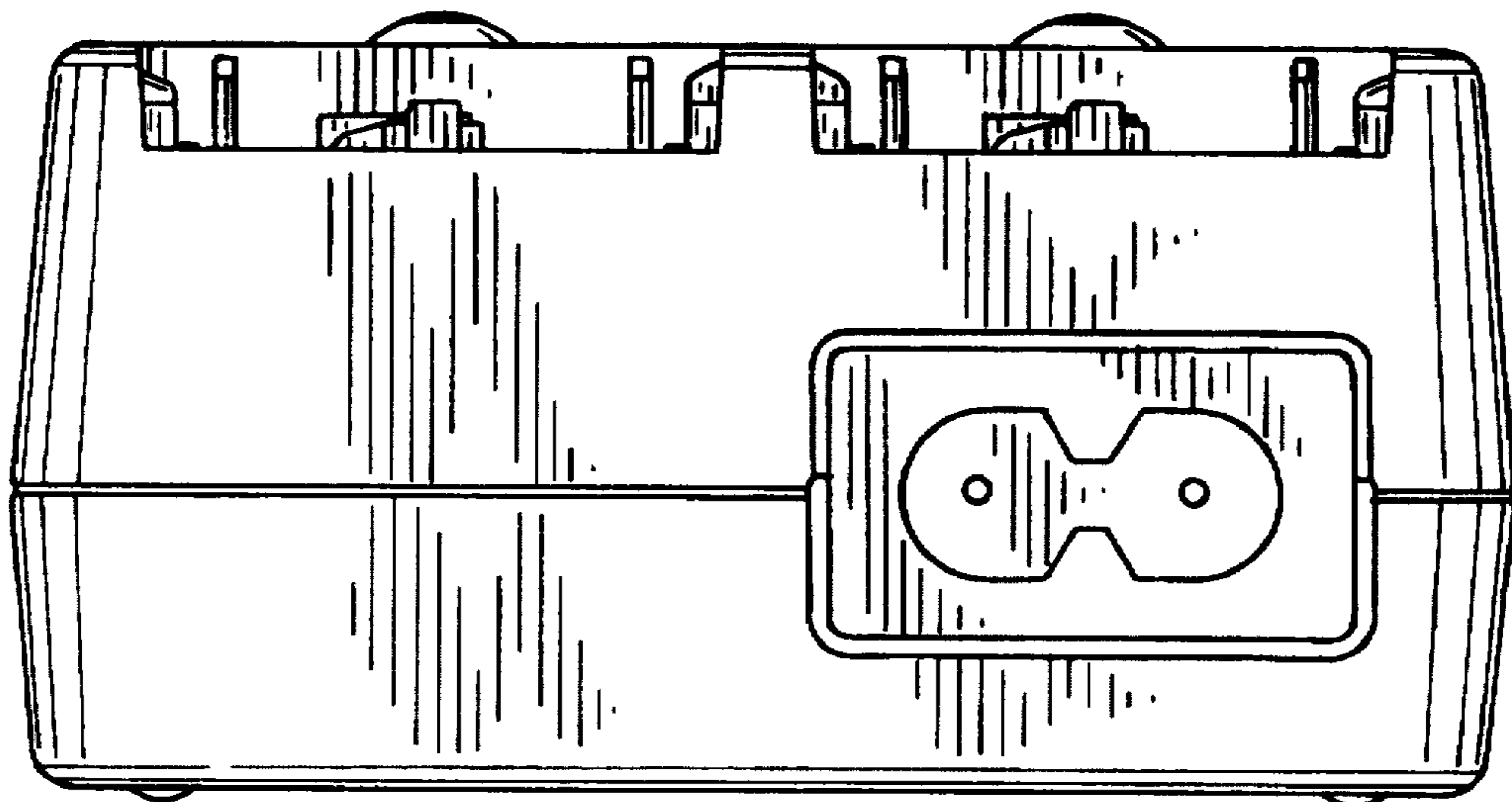


FIG. 4

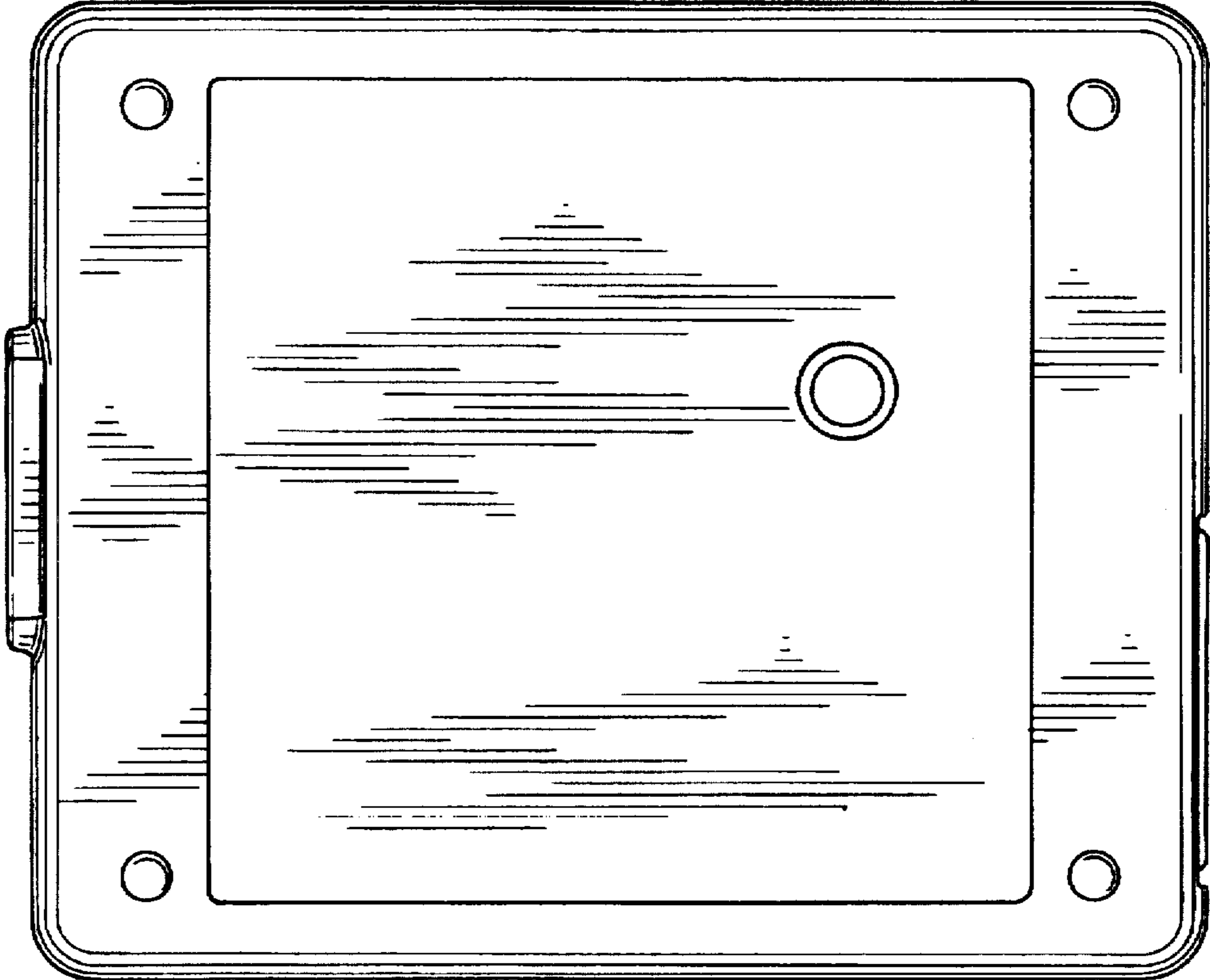
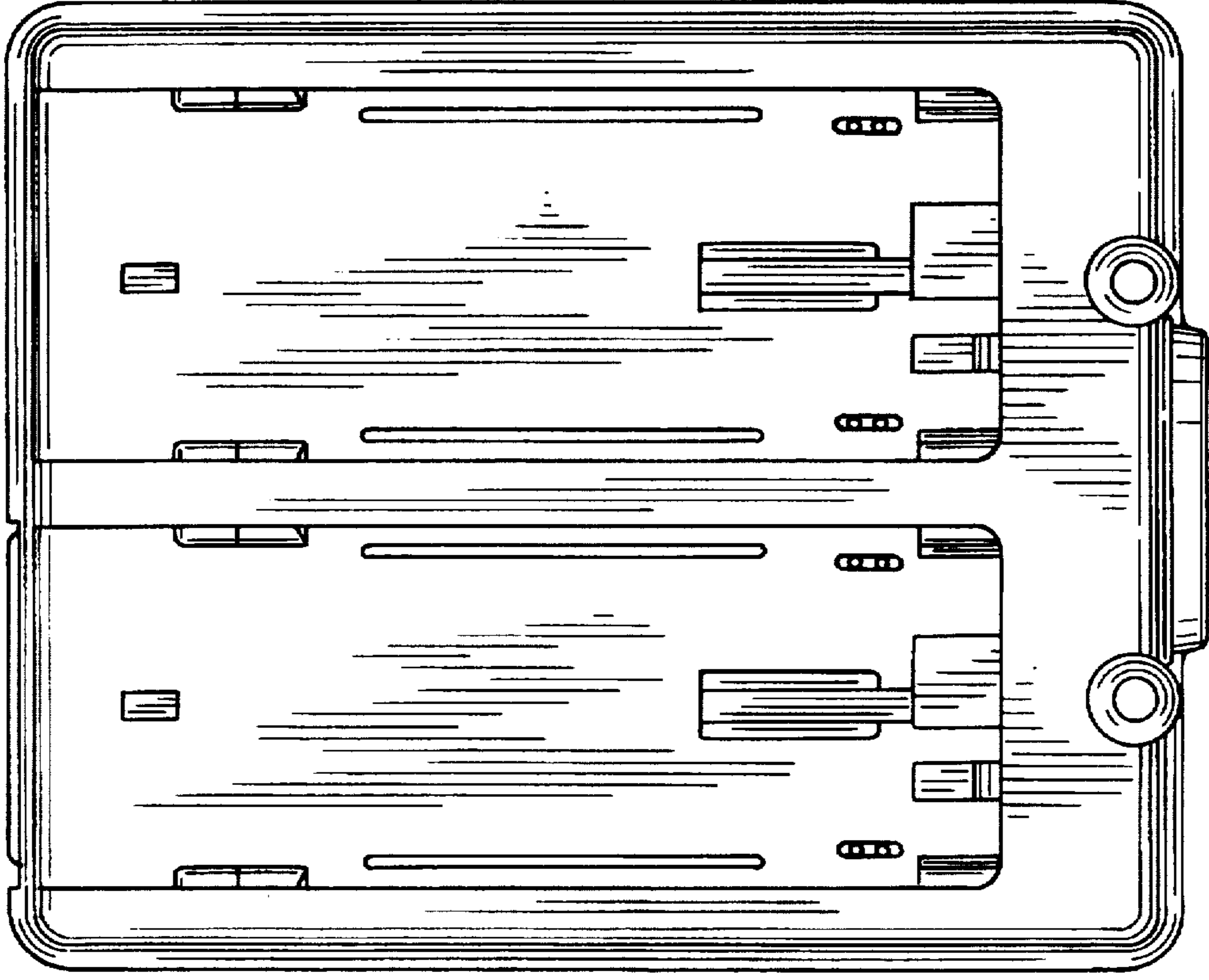
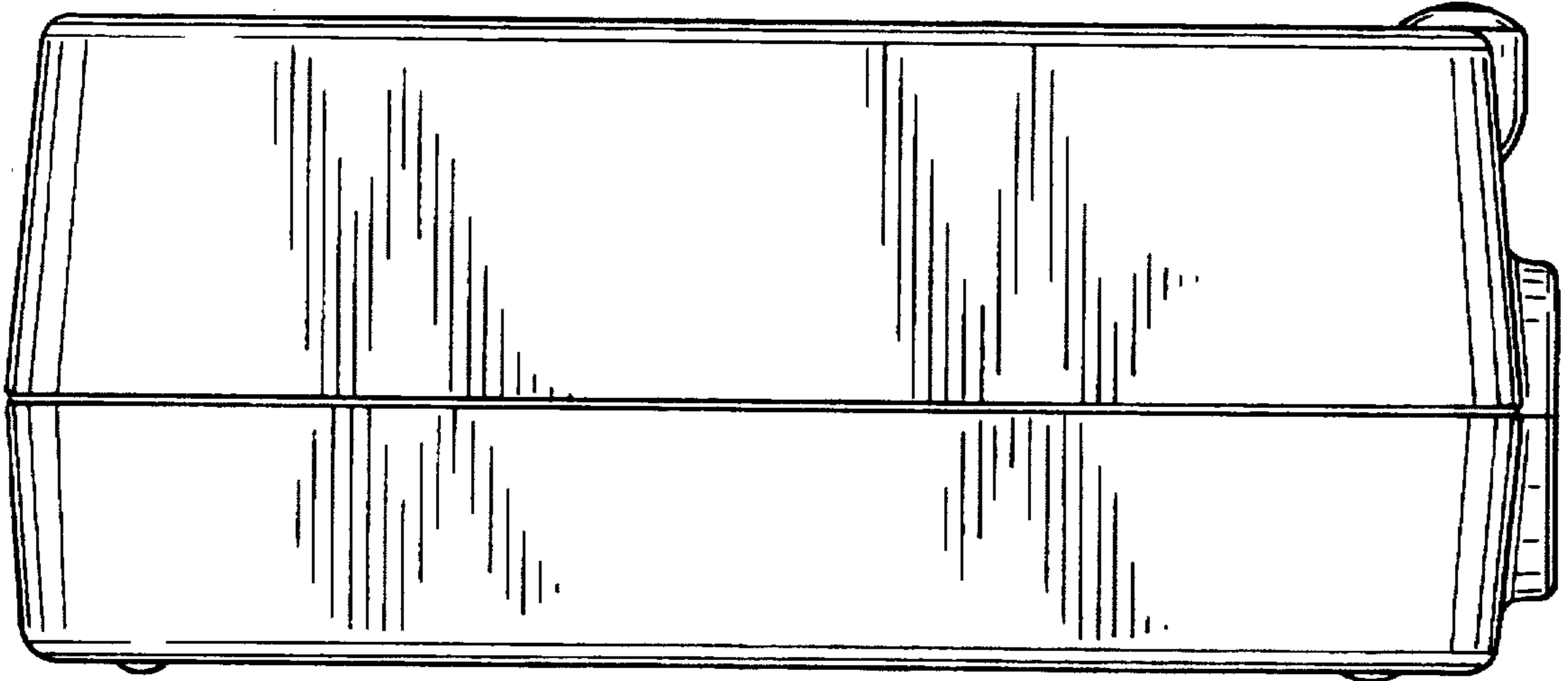


FIG. 3



*FIG. 5*



*FIG. 6*

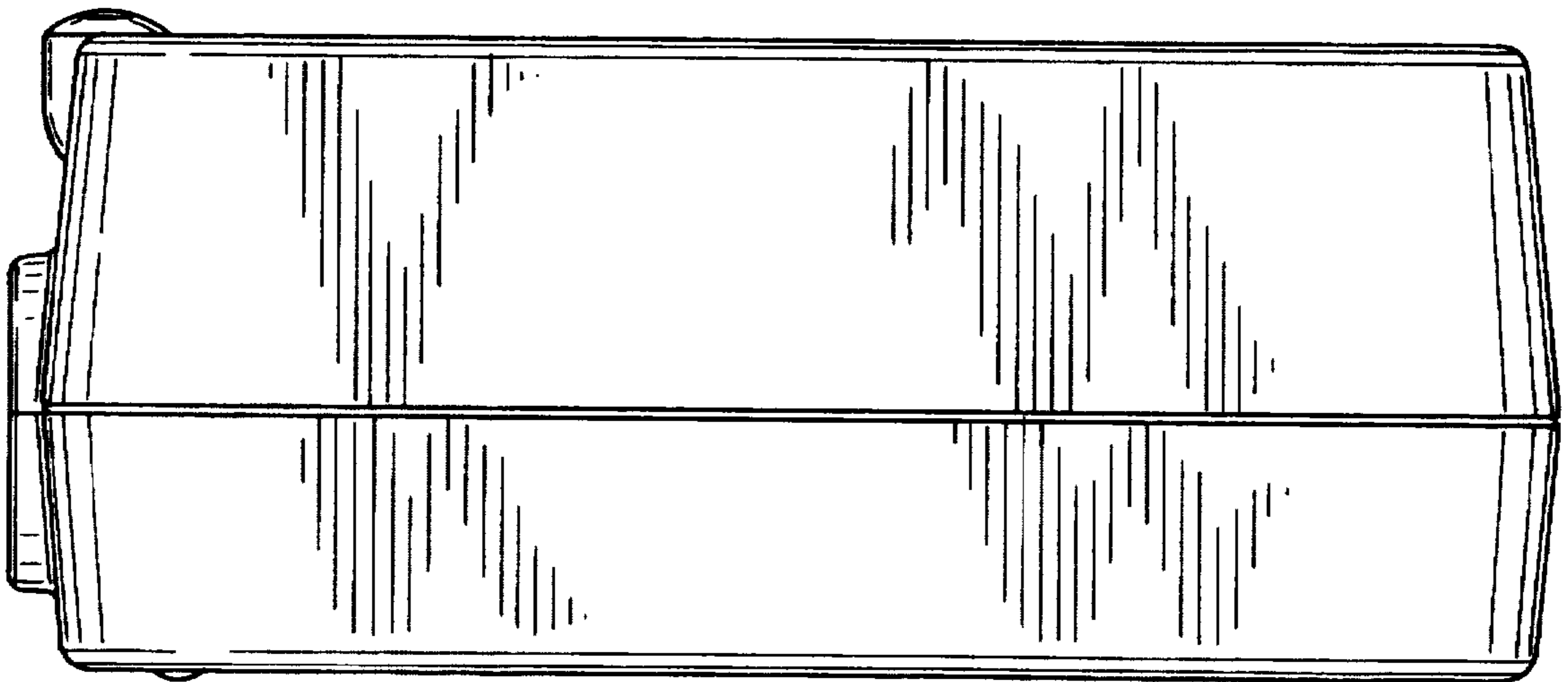




FIG. 7

