



US00D408349S

United States Patent [19]
Smith

[11] **Patent Number: Des. 408,349**
[45] **Date of Patent: **Apr. 20, 1999**

[54] **CONSOLE FOR VAN VEHICLES**
[75] **Inventor: Daniel G. Smith, Grand Prairie, Tex.**
[73] **Assignee: Texas Saddlebags, Inc., Arlington, Tex.**
[**] **Term: 14 Years**

D. 359,266 6/1995 Karp et al. D12/419
D. 368,890 4/1996 Morris D12/419
D. 375,480 11/1996 Smith D12/419
D. 391,223 2/1998 Lucas, Jr. D12/424
D. 397,083 8/1998 Smith D12/419

[21] **Appl. No.: 29/087,980**
[22] **Filed: May 13, 1998**

Primary Examiner—James Gandy
Assistant Examiner—Stacia Sinuik
Attorney, Agent, or Firm—Daniel Rubin

[51] **LOC (6) CL. 12-16**
[52] **U.S. Cl. D12/424**
[58] **Field of Search D12/415, 419,**
D12/421, 423-425, 416; 296/37.1-37.8,
37.12-37.16; 224/42.11, 539-543, 400,
926

[57] **CLAIM**
The ornamental design for a console for van vehicles, as shown and described.

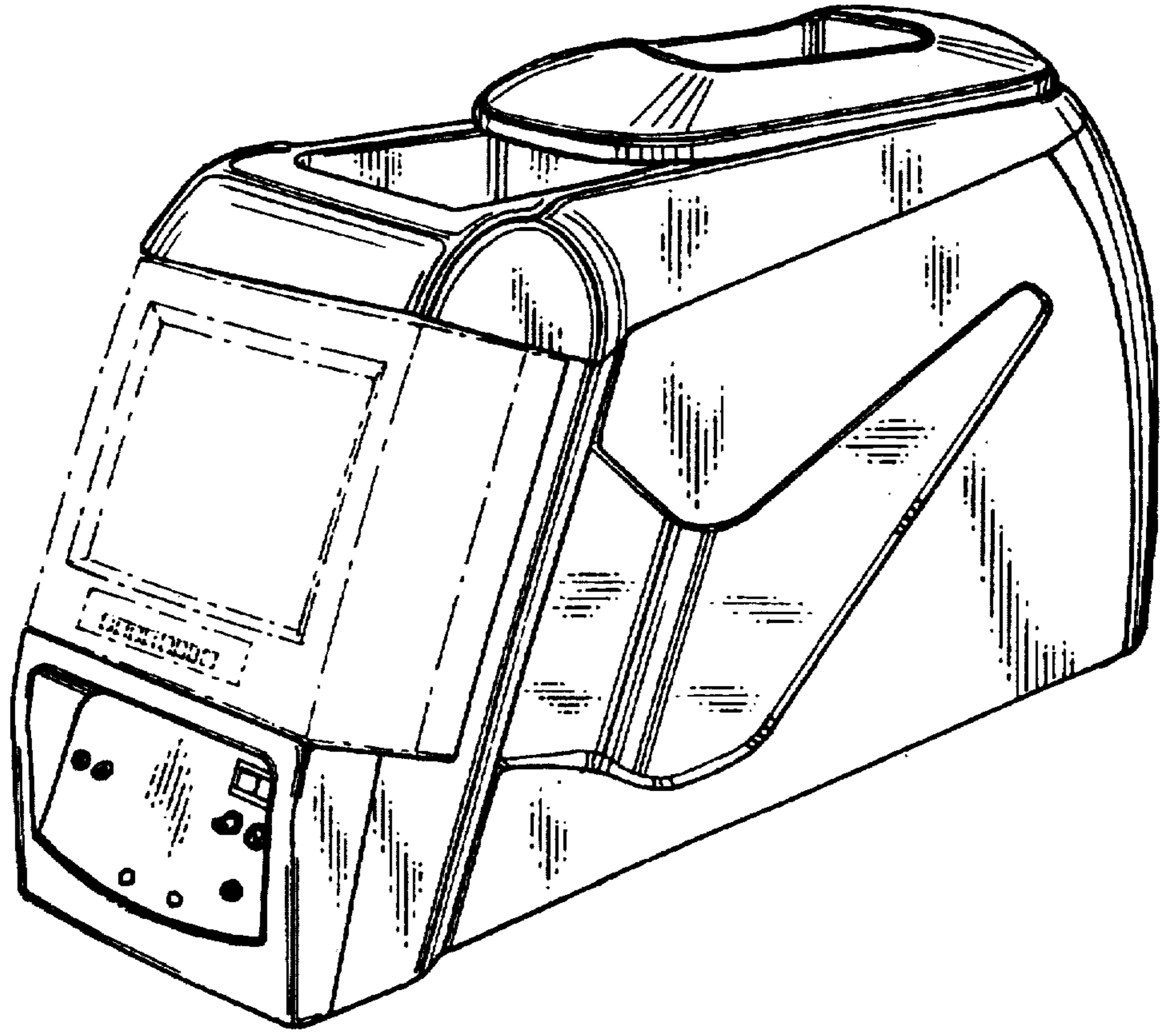
[56] **References Cited**
U.S. PATENT DOCUMENTS

DESCRIPTION

D. 218,438 8/1970 Shook D12/419
D. 283,270 4/1986 Boyar D12/424 X
D. 313,962 1/1991 Haag et al. D12/424
D. 316,183 4/1991 Pax D12/424 X
D. 346,066 4/1994 Smith D12/416
D. 358,124 5/1995 Landry D12/423

FIG. 1 is a right side perspective view of the console for van vehicles hereof showing my new design;
FIG. 2 is a left side perspective view thereof;
FIG. 3 is a top plan view thereof;
FIG. 4 is a left side elevational view thereof;
FIG. 5 is a bottom view thereof; and,
FIG. 6 is a top plan view thereof with the top lid shown in open condition.
The broken line showing of environment is for illustrative purposes only and forms no part of the claimed design.

1 Claim, 3 Drawing Sheets



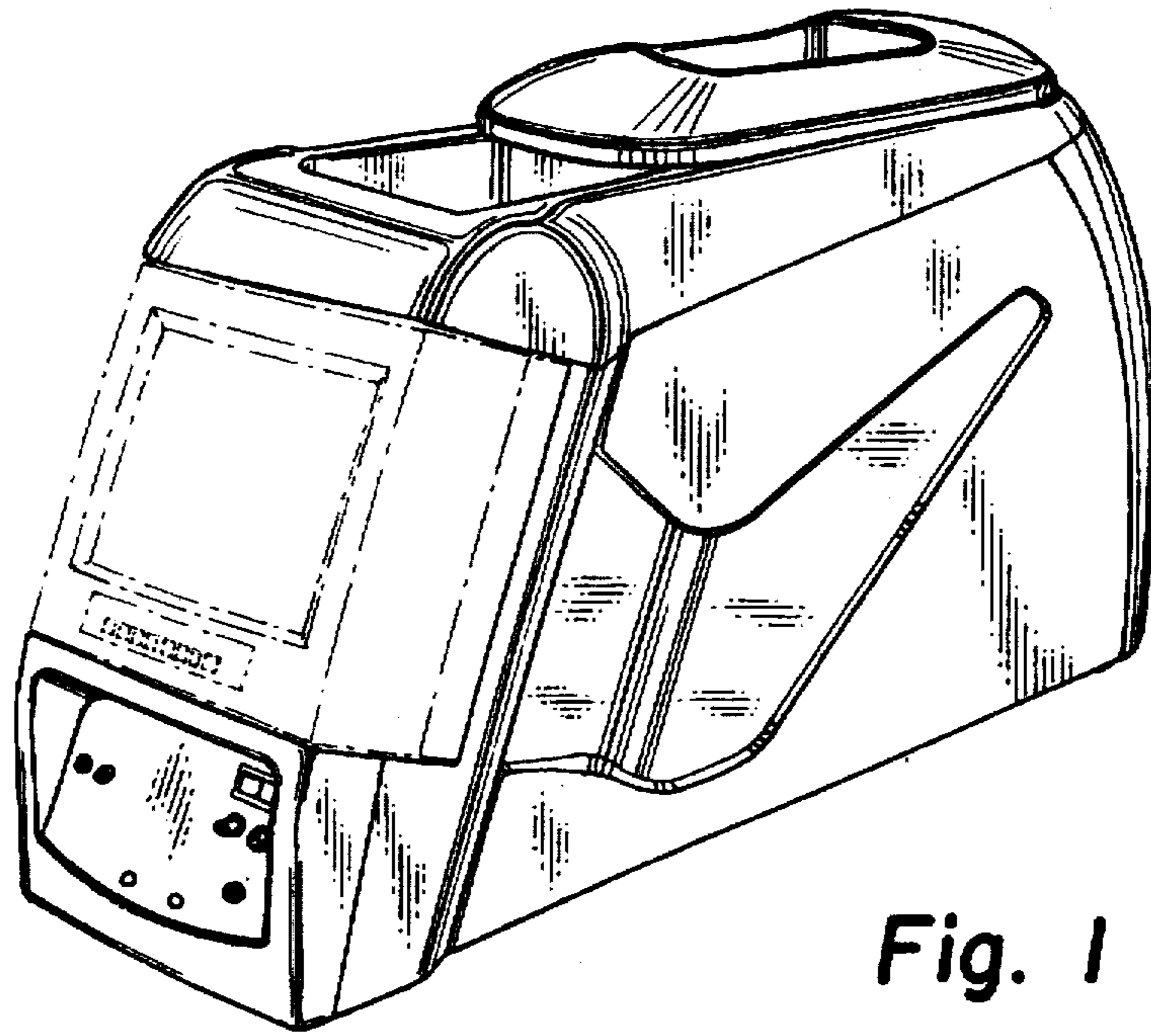


Fig. 1

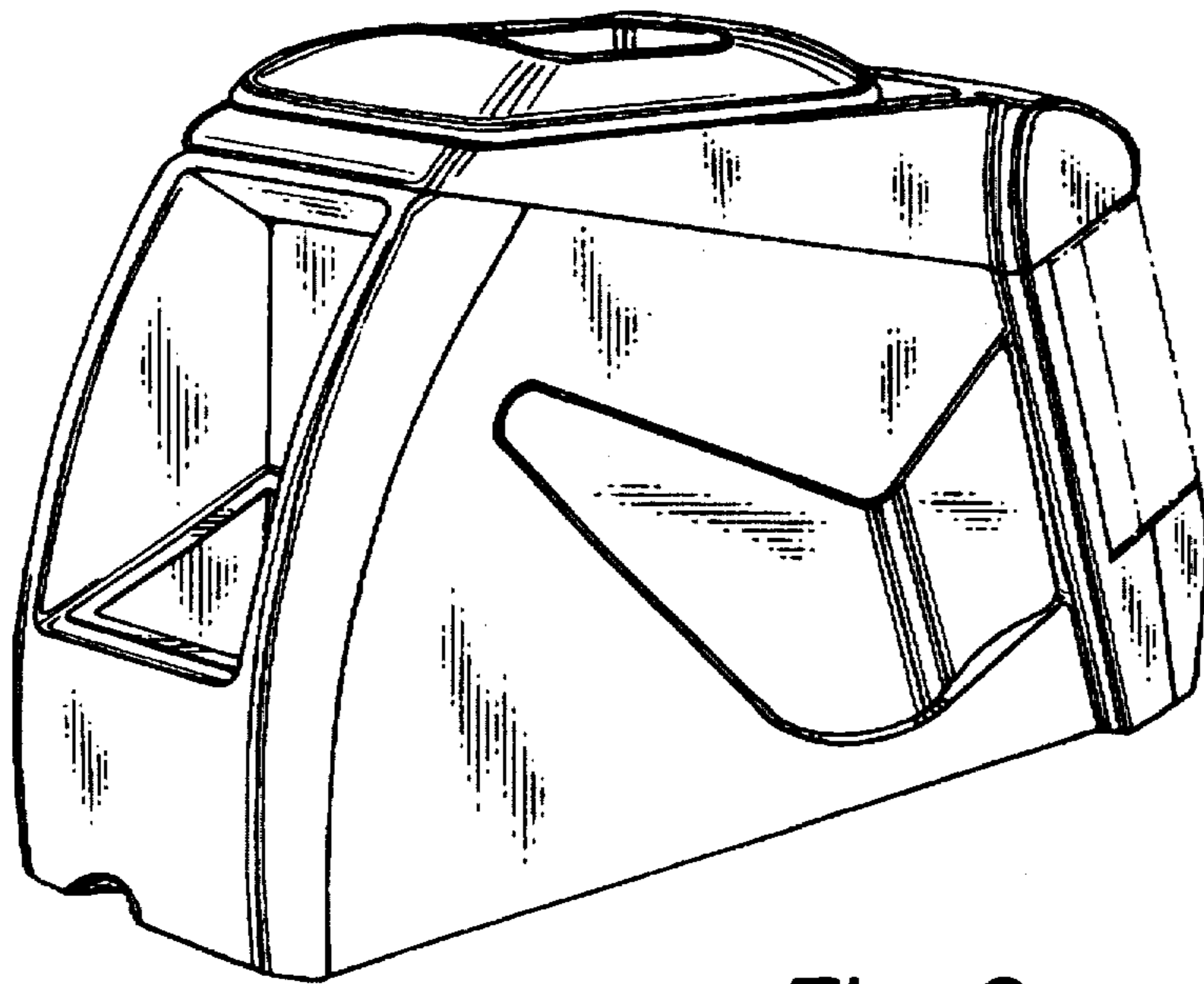


Fig. 2

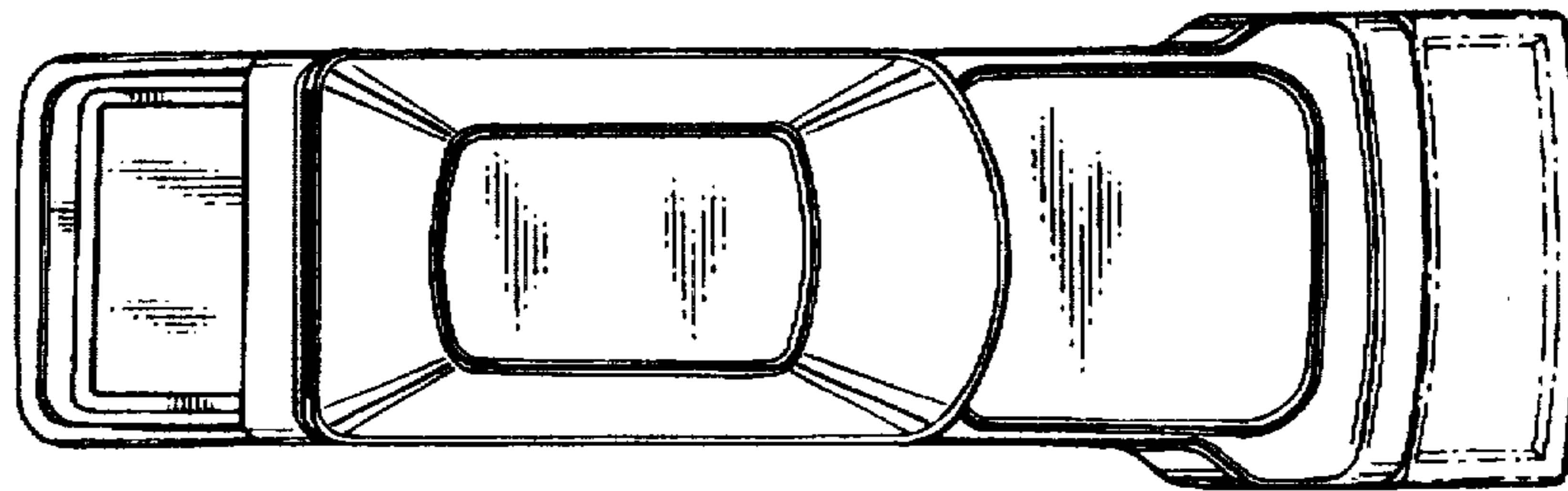


Fig. 3

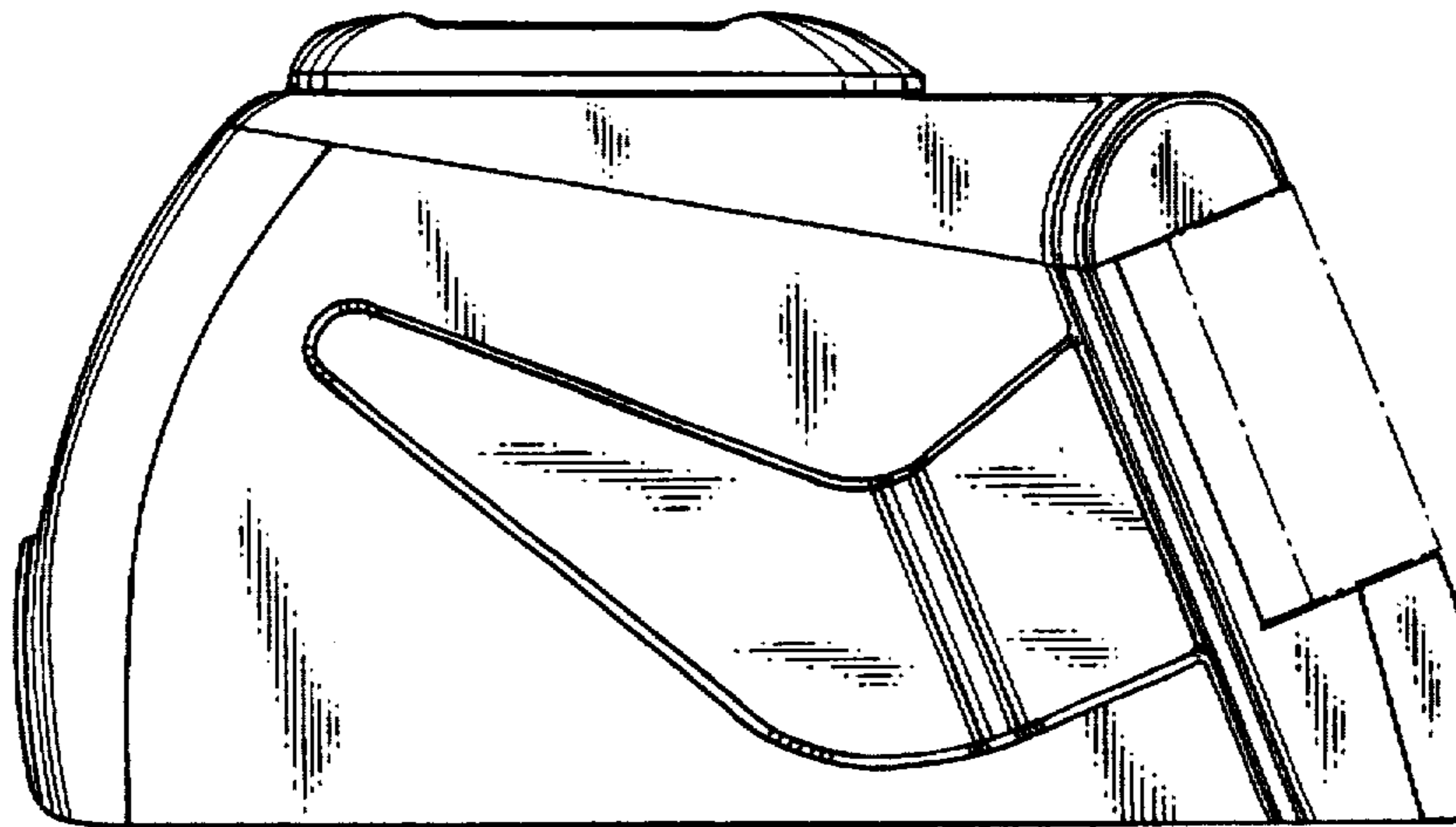


Fig. 4

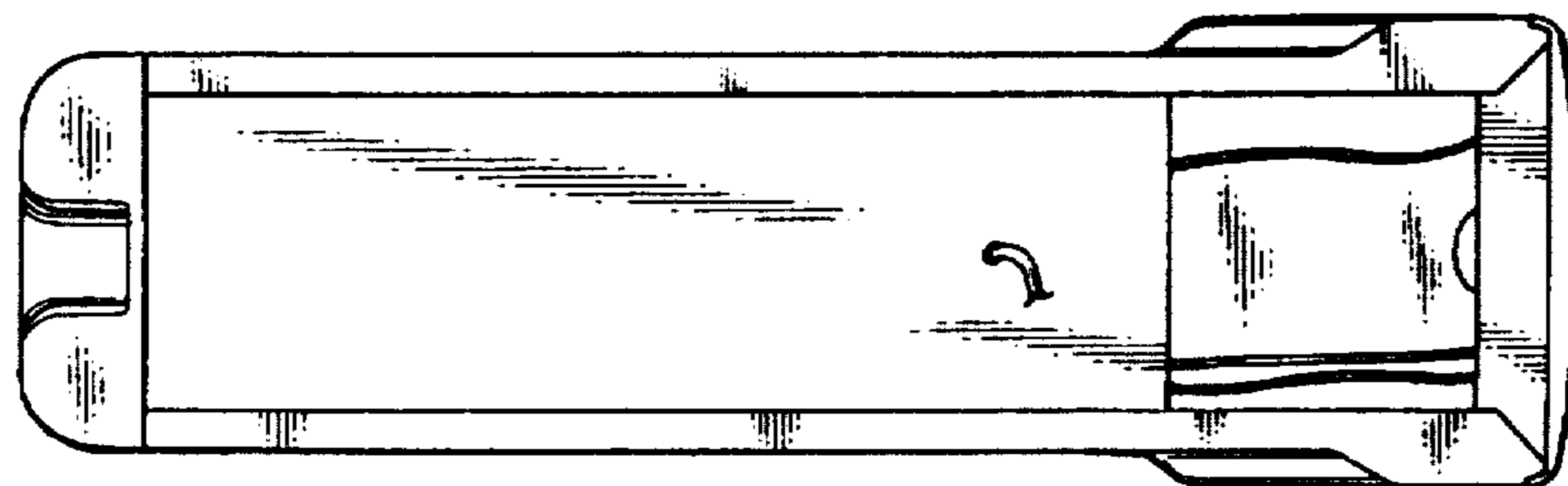


Fig. 5

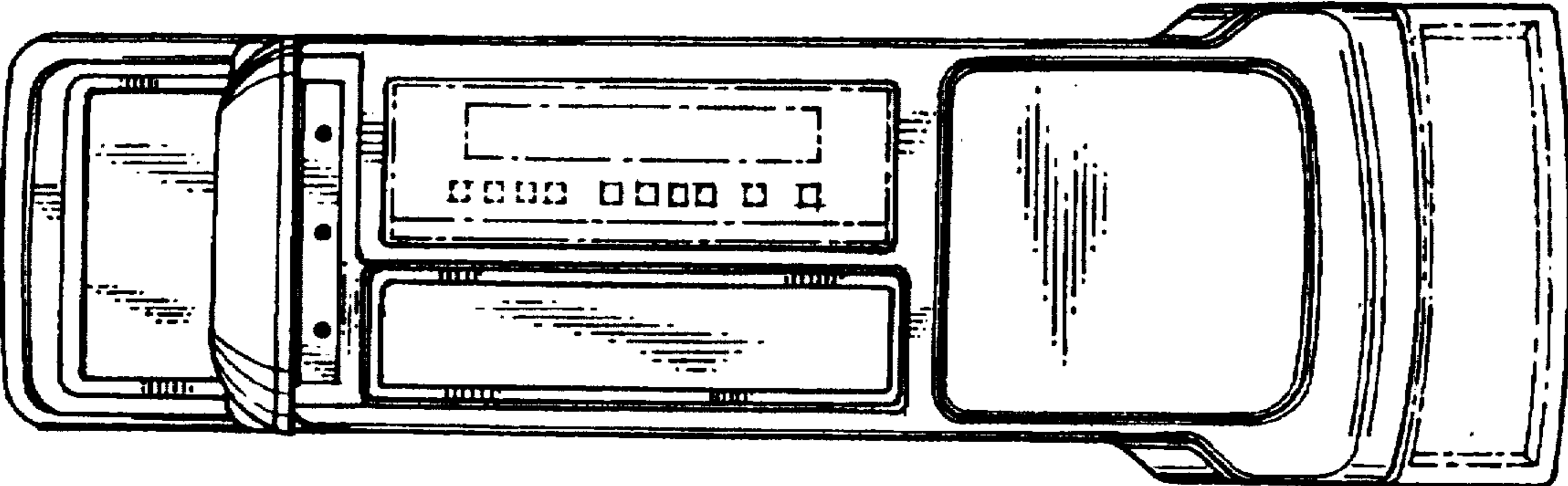


Fig. 6