



US00D408346S

United States Patent [19] Goplen

[11] Patent Number: Des. 408,346
[45] Date of Patent: **Apr. 20, 1999

[54] FRONT FACE OF VEHICLE WHEEL

[75] Inventor: Erik Goplen, München, Germany

[73] Assignee: Bayerische Motoren Werke
Aktiengesellschaft, Munich, Germany

[**] Term: 14 Years

[21] Appl. No.: 29/087,047

[22] Filed: Apr. 24, 1998

[30] Foreign Application Priority Data

Oct. 25, 1997 [DE] Germany M 97 10 021

[51] LOC (6) CL 12-16

[52] U.S. Cl. D12/211

[58] Field of Search D12/204-213;
301/64.1, 65, 37.1

[56] References Cited

U.S. PATENT DOCUMENTS

56,897	1/1866	Stothoff	D12/211
D. 84,322	6/1931	Beutke et al.	D12/211
D. 215,652	10/1969	Griffith	D12/211
D. 235,334	6/1975	Gageby	D12/211
D. 337,563	7/1993	Boselli	D12/209
D. 352,688	11/1994	Boselli	D12/211
D. 373,562	9/1996	Cole	D12/211
D. 375,478	11/1996	Pfeiffer	D12/209

D. 380,724	7/1997	Brown et al.	D12/209
D. 388,045	12/1997	Sakagami et al.	D12/209
D. 388,047	12/1997	Pfeiffer et al.	D12/211
1,470,742	10/1923	Ibach	D12/209

OTHER PUBLICATIONS

1994 Custom Wheel & Tire Style Guide, p. 13, See Vector Wheel; p. 15, See Bugatti One-Piece Wheel; p. 21, See Hurricane Wheel.

1993 Custom Wheel & Tire Style Guide, p. 33, See Evo Wheel; p. 51, See Type 27 Wheel.

Primary Examiner—James Gandy

Assistant Examiner—Stacia Sinuik

Attorney, Agent, or Firm—Evenson, McKeown, Edwards & Lenahan, PLLC

[57] CLAIM

The ornamental design for a front face of vehicle wheel, as shown and described.

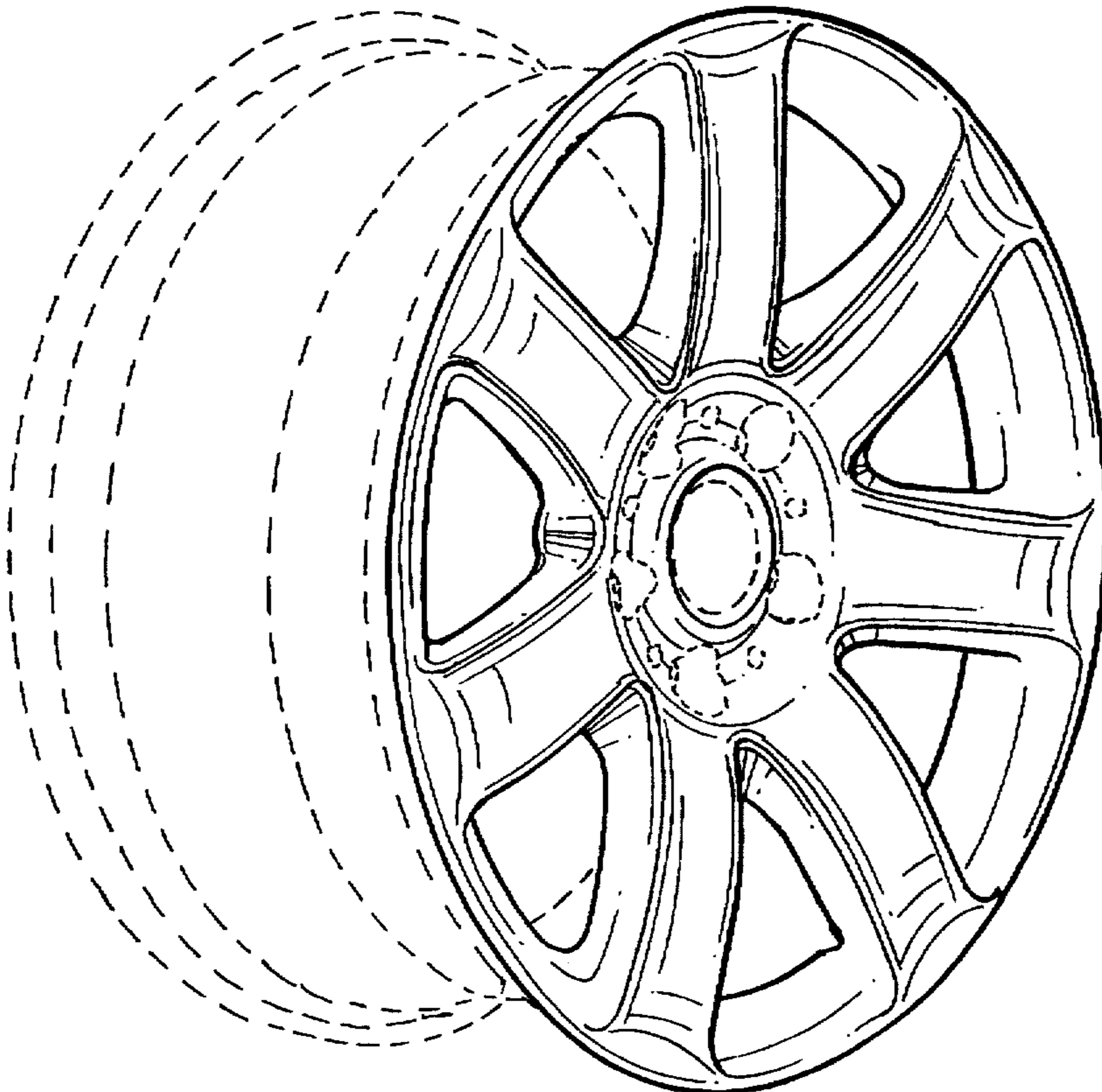
DESCRIPTION

FIG. 1 is a front view of a front face of vehicle wheel according to my novel design; and,

FIG. 2 is a perspective view from the front side of a front face of vehicle wheel according to my novel design.

The dash line included depicts environment and is not part of the claimed design.

1 Claim, 1 Drawing Sheet



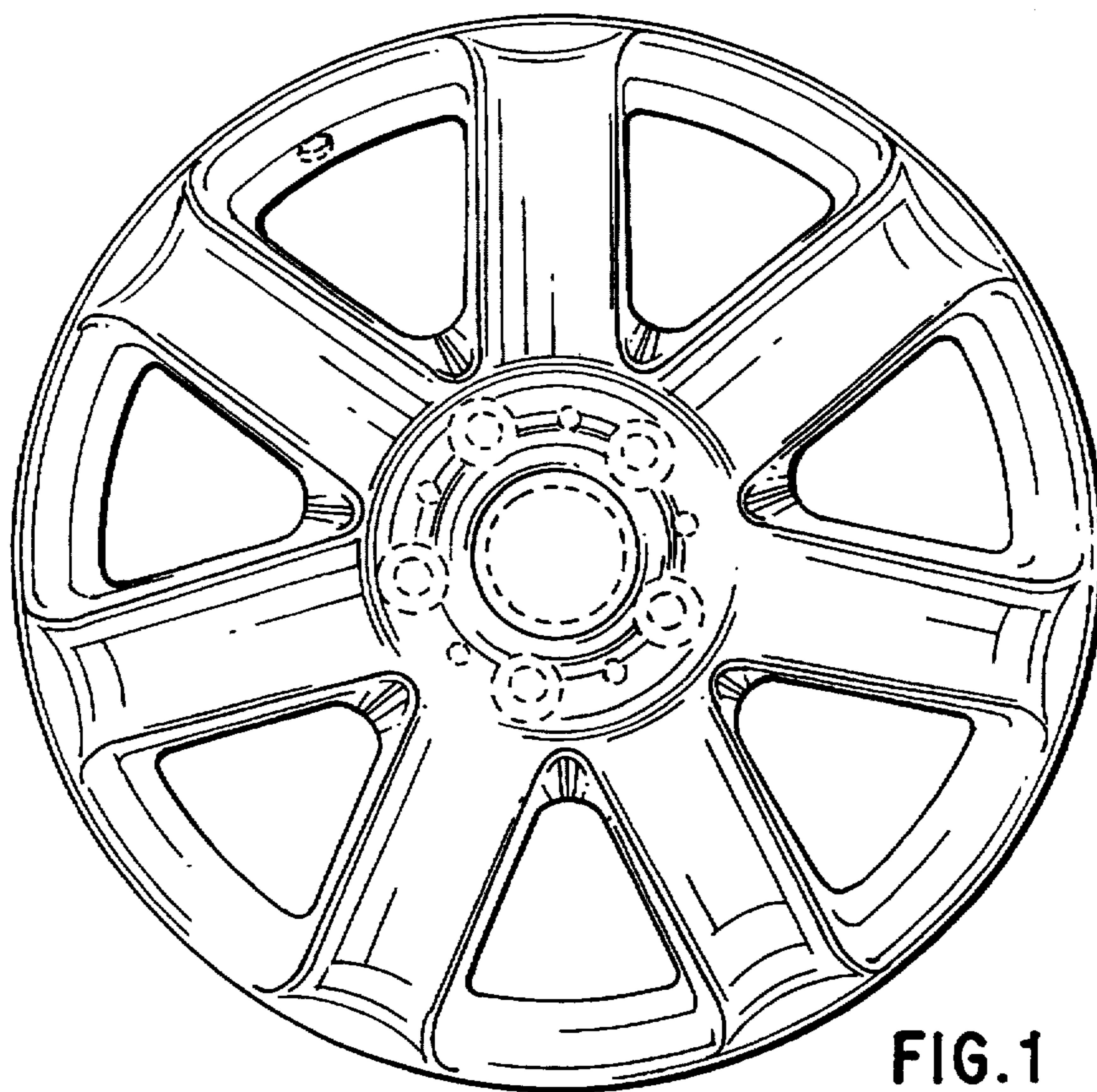


FIG. 1

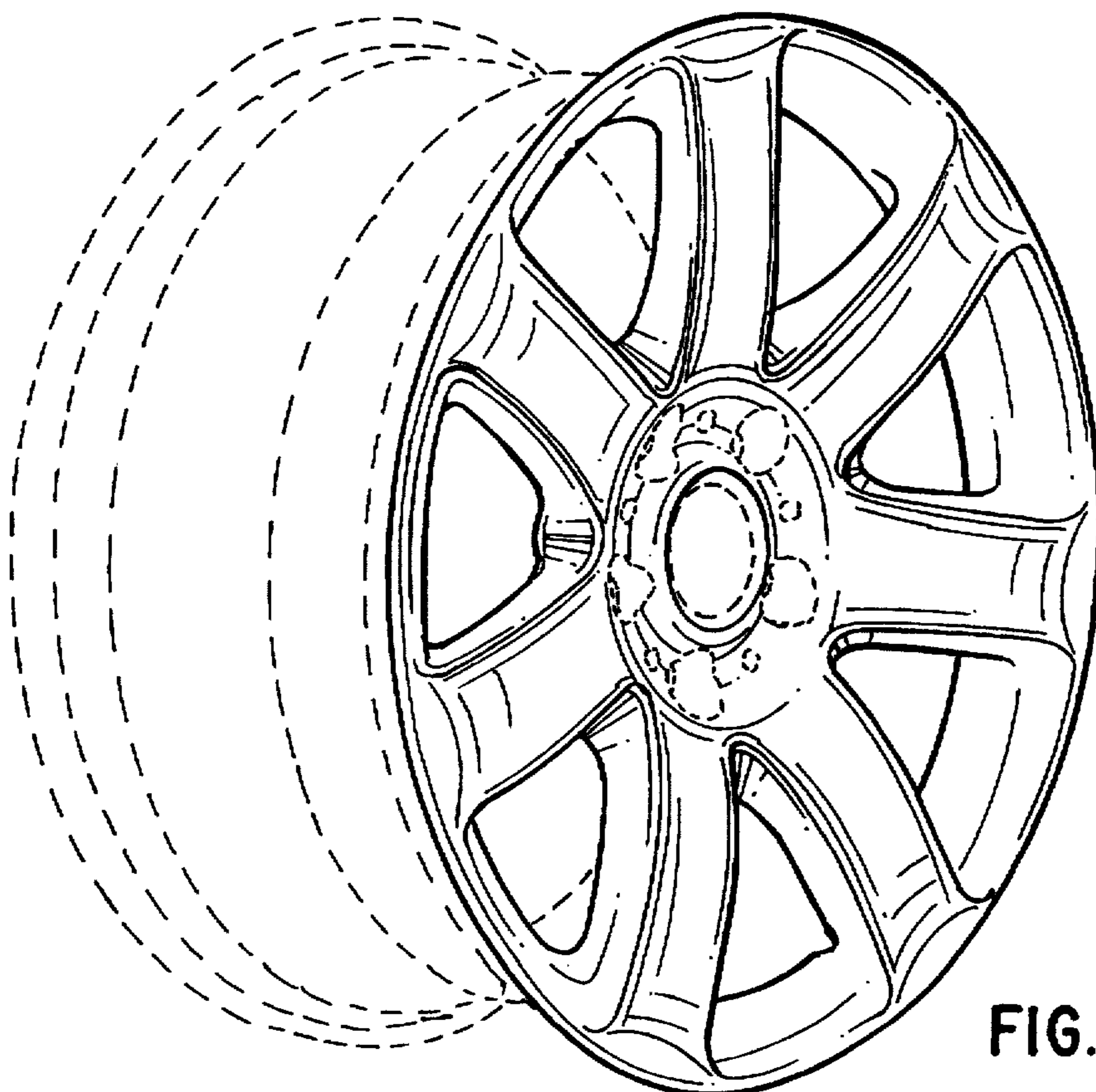


FIG. 2