



US00D408344S

United States Patent [19]
Kelley

[11] **Patent Number:** **Des. 408,344**
[45] **Date of Patent:** ****Apr. 20, 1999**

[54] **VEHICLE WHEEL**

[75] **Inventor:** **Steve Kelley, Irvine, Calif.**
[73] **Assignee:** **Wheel Components, Inc., Fullerton, Calif.**
[**] **Term:** **14 Years**

D. 384,928	10/1997	Neeper	D12/209
D. 384,930	10/1997	Hale, Jr.	D12/209
D. 385,246	10/1997	Neeper	D12/209
D. 385,842	11/1997	Cullen	D12/209
D. 386,740	11/1997	Cullen	D12/209
D. 390,822	2/1998	Neeper	D12/209
D. 393,442	4/1998	Noriega	D12/209

[21] **Appl. No.:** **29/086,053**
[22] **Filed:** **Apr. 3, 1998**

Primary Examiner—Jeffrey Asch
Assistant Examiner—Stacia Sinuik
Attorney, Agent, or Firm—Fulwider Patton Lee & Utecht, LLP

[51] **LOC (6) CL** **12-16**
[52] **U.S. Cl.** **D12/209**
[58] **Field of Search** **D12/204-213;**
301/64.1, 65, 37.1

[57] **CLAIM**

The ornamental design for a vehicle wheel, as shown and described.

DESCRIPTION

FIG. 1 is a perspective view of a vehicle wheel, showing my new design;
FIG. 2 is an enlarged left side view thereof, it being understood that the right side is a mirror image thereof; and, FIG. 3 is an enlarged front view thereof.

[56] **References Cited**

U.S. PATENT DOCUMENTS

D. 364,843	12/1995	Hale, Jr.	D12/209
D. 366,641	1/1996	Neeper	D12/209
D. 377,640	1/1997	Neeper	D12/209
D. 380,431	7/1997	Brown et al.	D12/209
D. 384,634	10/1997	Cullen	D12/209

1 Claim, 2 Drawing Sheets

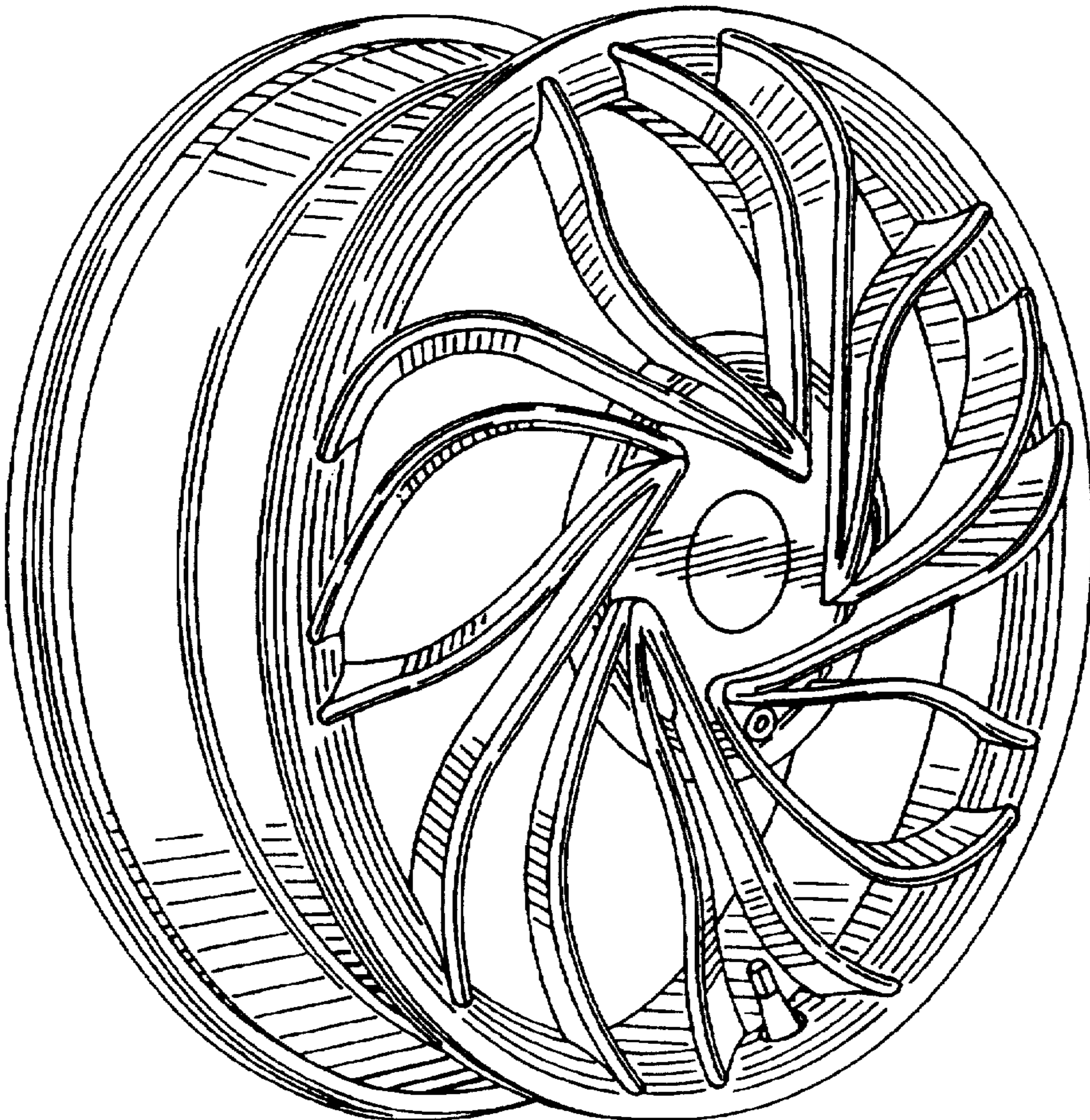


FIG. 1

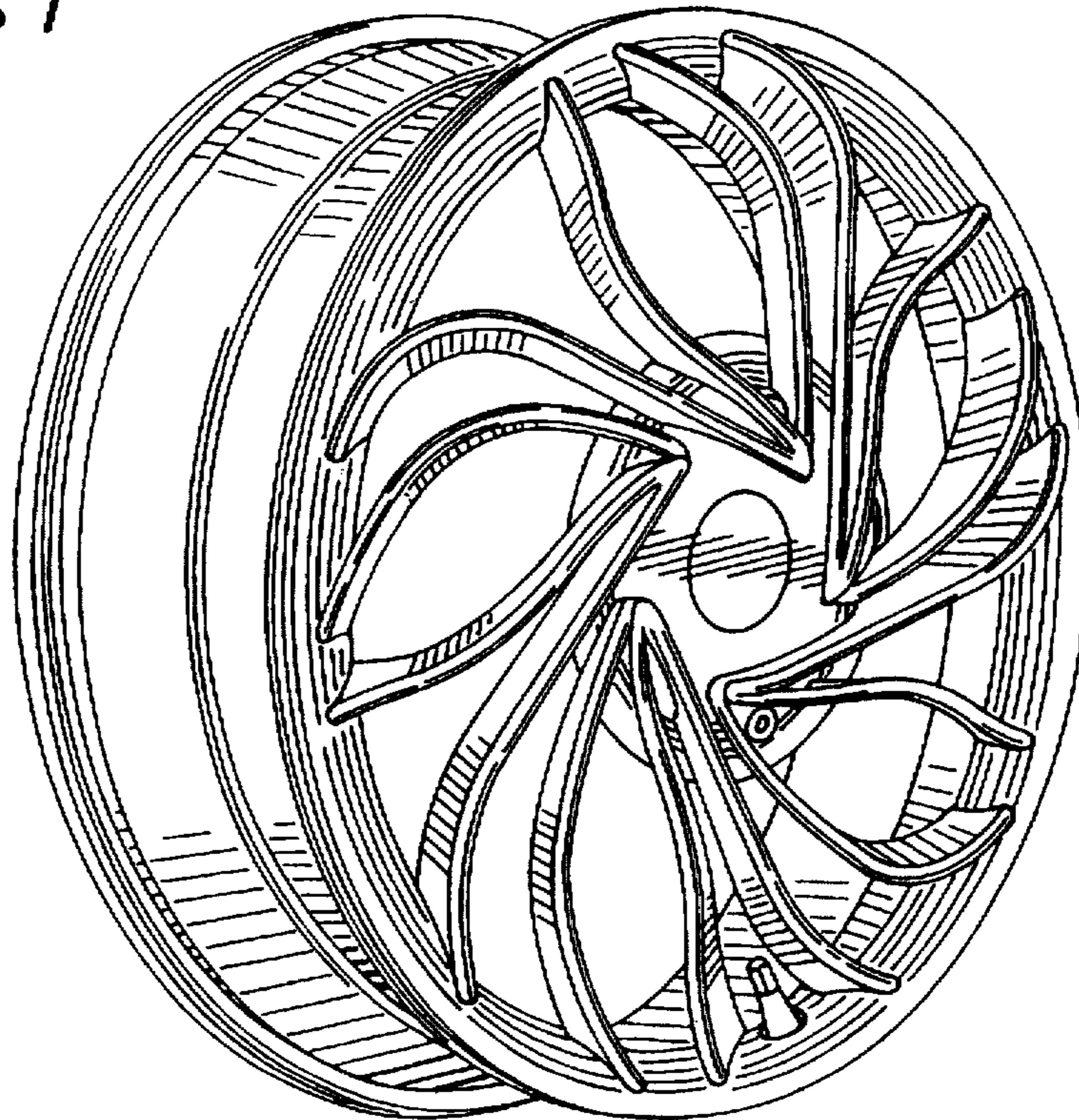


FIG. 2

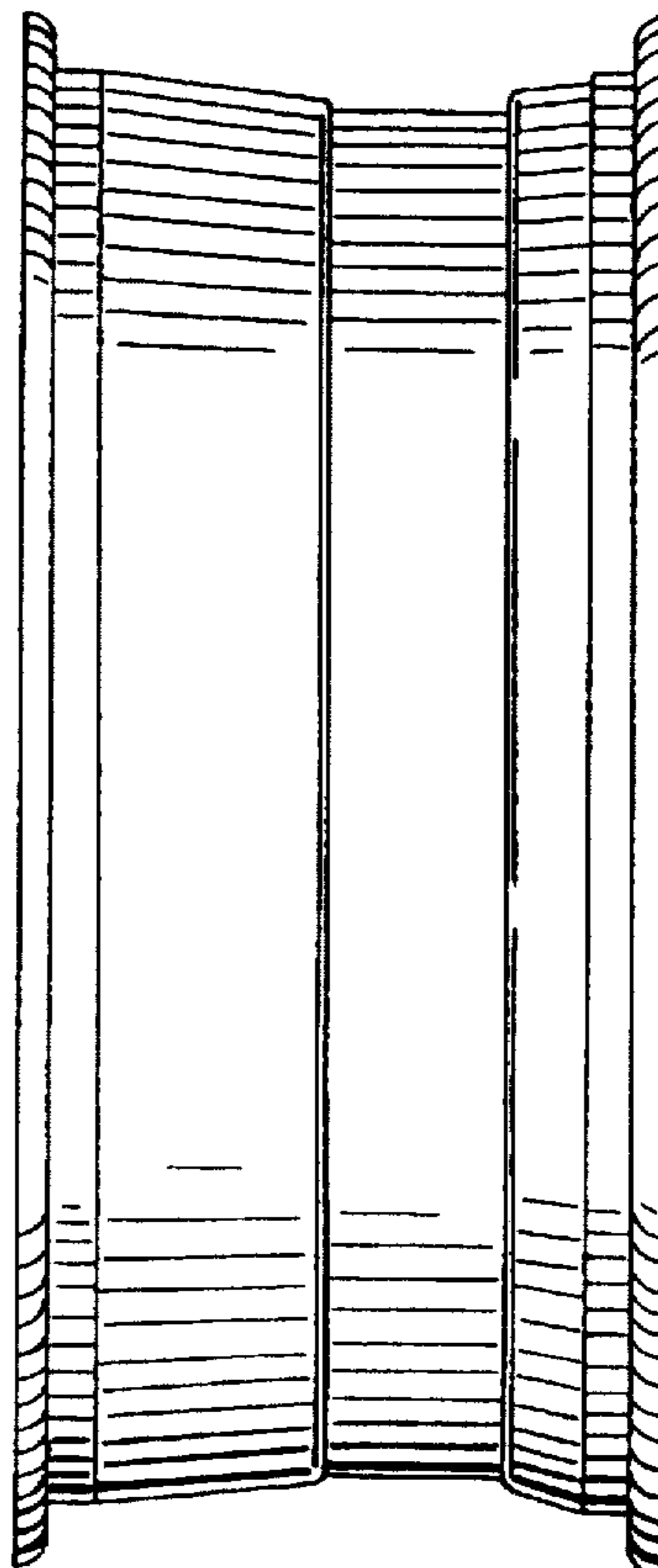


FIG. 3

