



US00D408336S

United States Patent [19]

Brotherston

[11] Patent Number: Des. 408,336

[45] Date of Patent: **Apr. 20, 1999

[54] **FLIPDOWN FOOTREST**

[76] Inventor: **Ian D. Brotherston**, 495 Wallace Avenue North, Listowel, Ontario, Canada, N4W 1L5

[**] Term: **14 Years**

[21] Appl. No.: **29/072,399**

[22] Filed: **Jun. 16, 1997**

[51] LOC (6) Cl. **12-12**

[52] U.S. Cl. **D12/133**

[58] Field of Search D12/133, 131; 280/250.1, 304.1; 297/423.21, 423.22, 423.23, 423.25, 423.26, 423.27, 466, 423.35

[56] **References Cited**

U.S. PATENT DOCUMENTS

253,333 2/1882 Armstrong 297/423.27 X
D. 282,832 3/1986 Kain D12/133

D. 315,539 3/1991 Okamoto D12/133
3,116,955 1/1964 Siegal 297/423.35
5,401,045 3/1995 Foerster et al. 280/250.1

Primary Examiner—Kay H. Chin

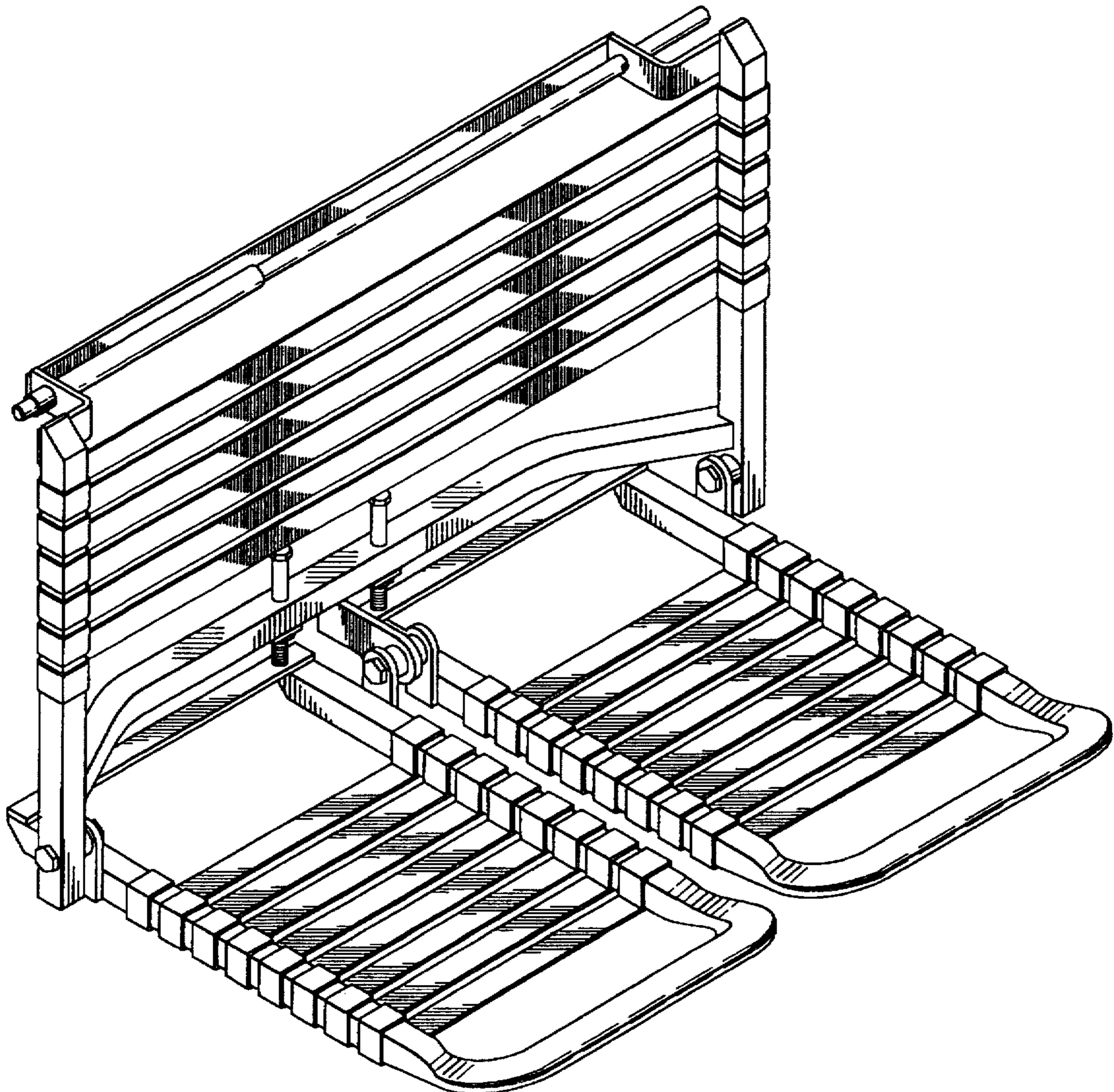
[57] **CLAIM**

The ornamental design for a flipdown footrest, as shown and described.

DESCRIPTION

FIG. 1 is a top perspective of a flipdown footrest showing my new design;
FIG. 2 is a top plan view thereof;
FIG. 3 is a left side elevational view thereof;
FIG. 4 is a front elevational view thereof;
FIG. 5 is a rear elevational view thereof;
FIG. 6 is a bottom plan view thereof; and,
FIG. 7 is a right side elevational view thereof.

1 Claim, 4 Drawing Sheets



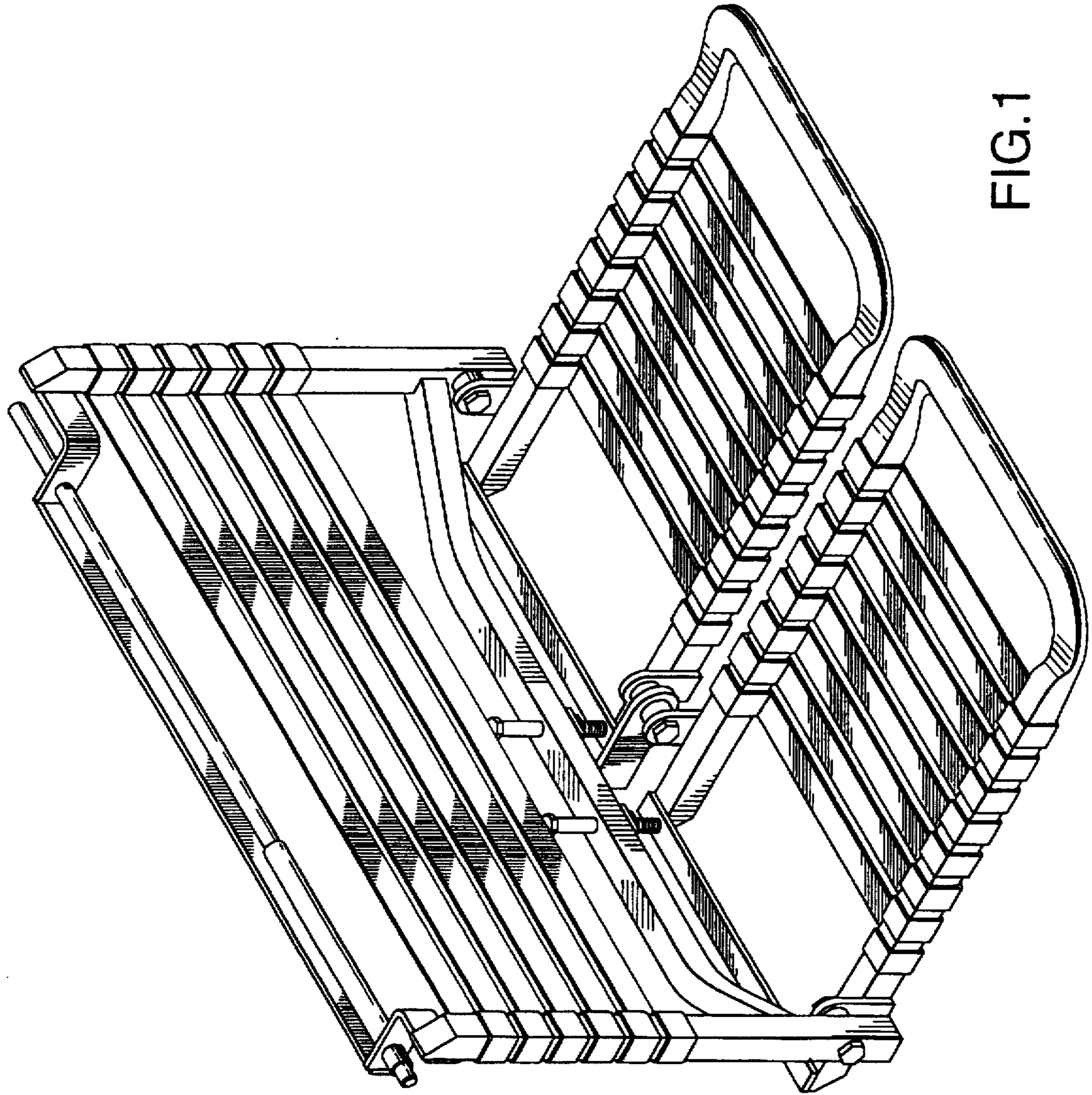


FIG.1

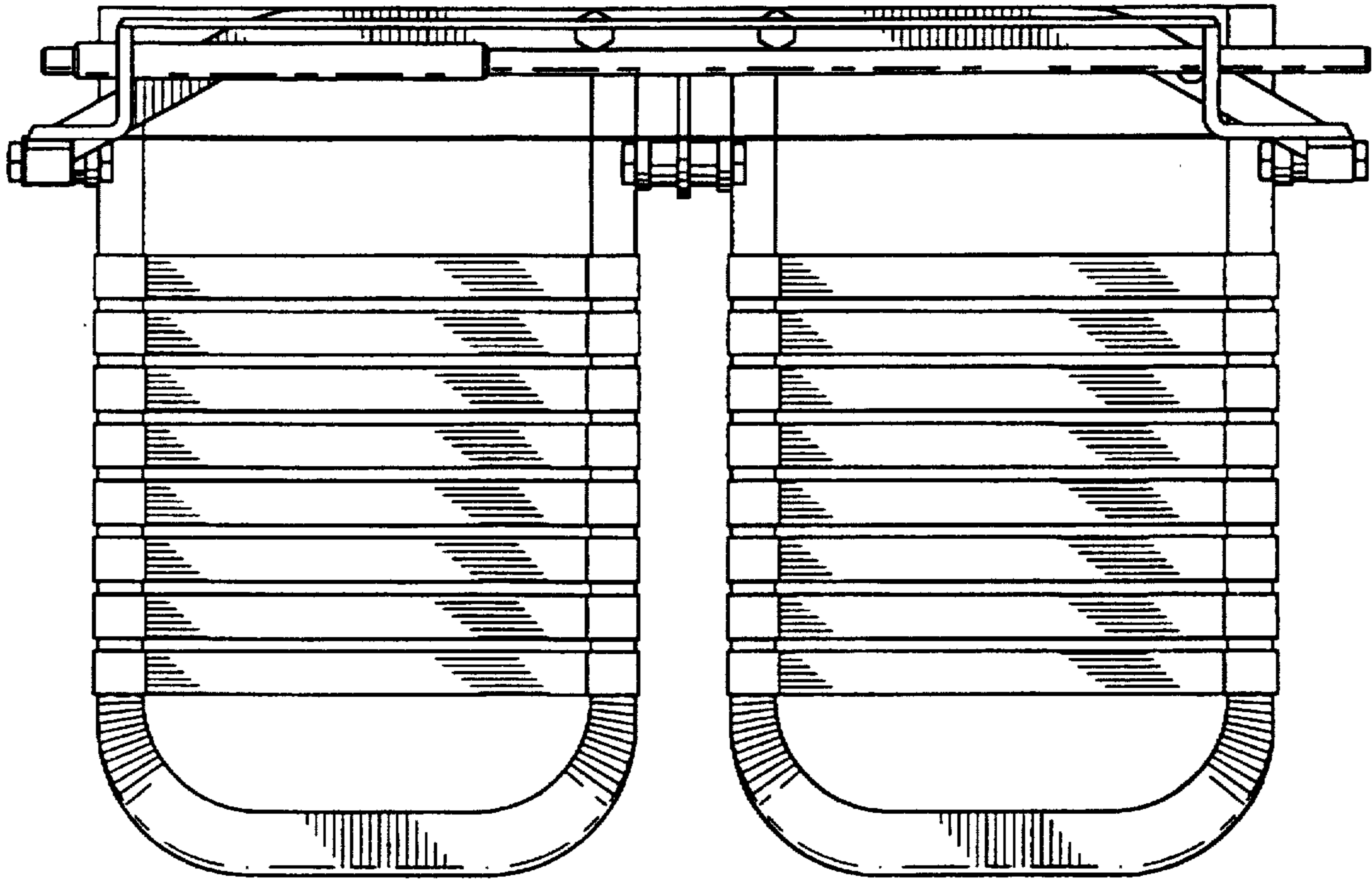


FIG. 2

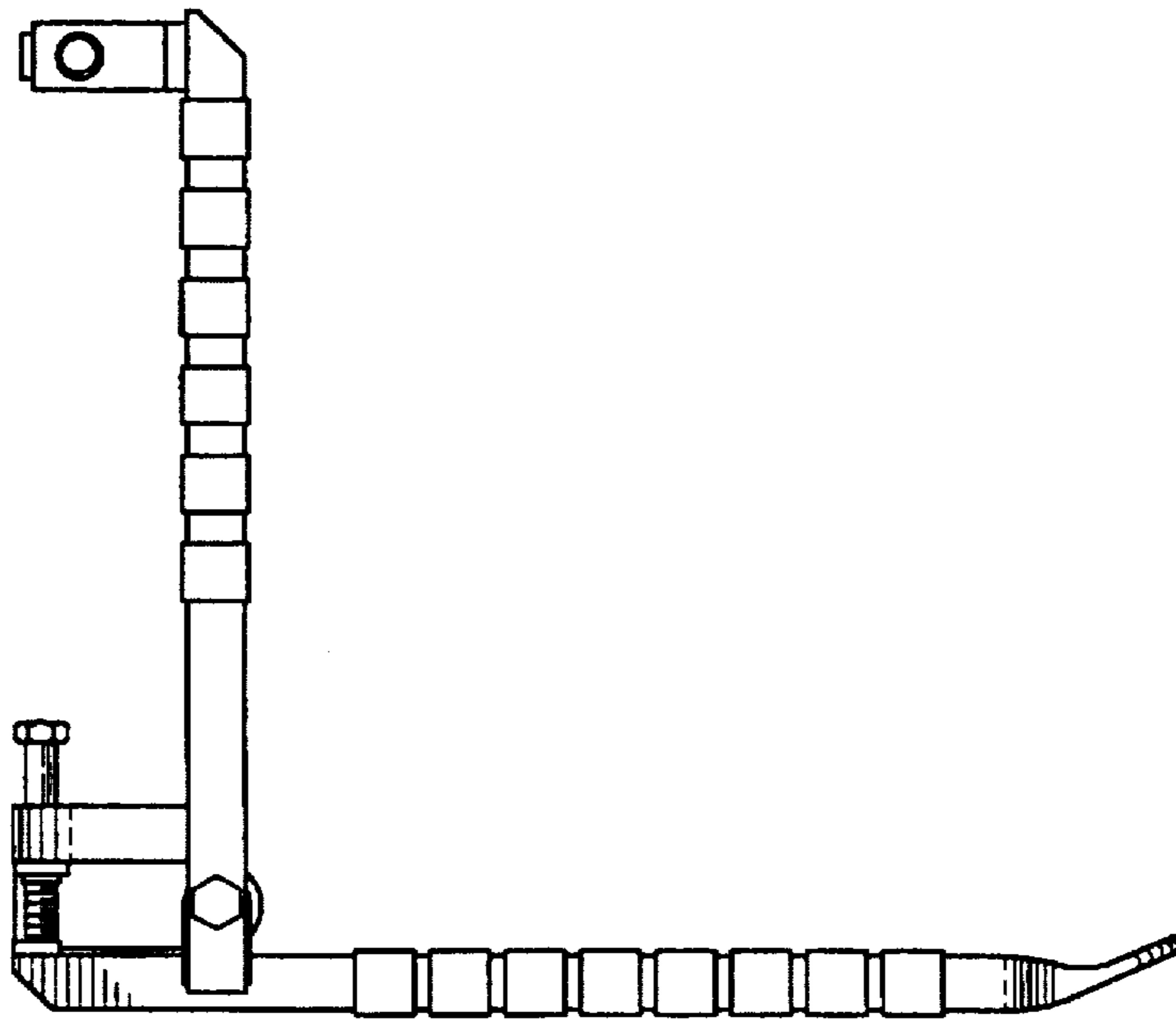


FIG. 3

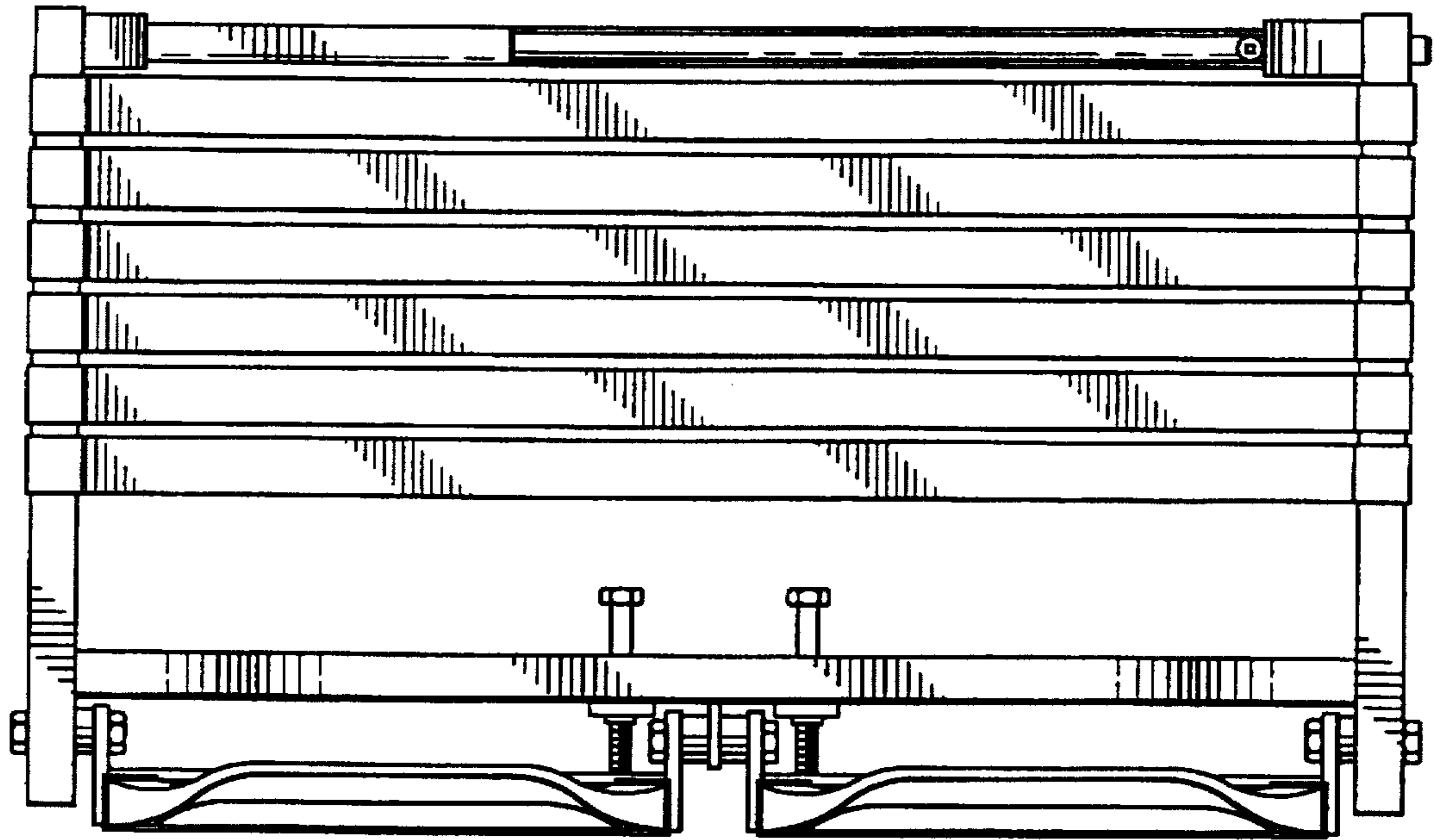


FIG.4

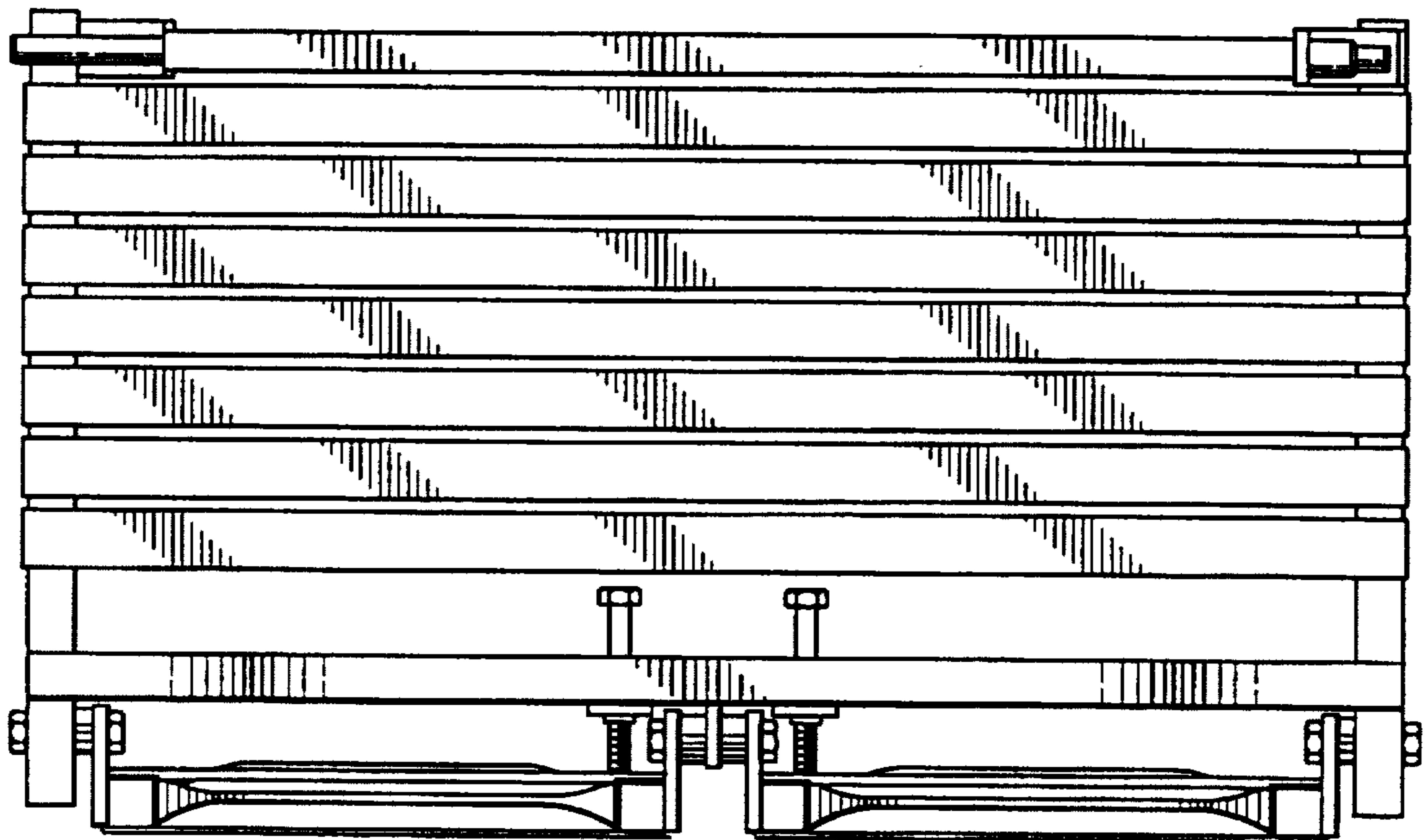


FIG.5

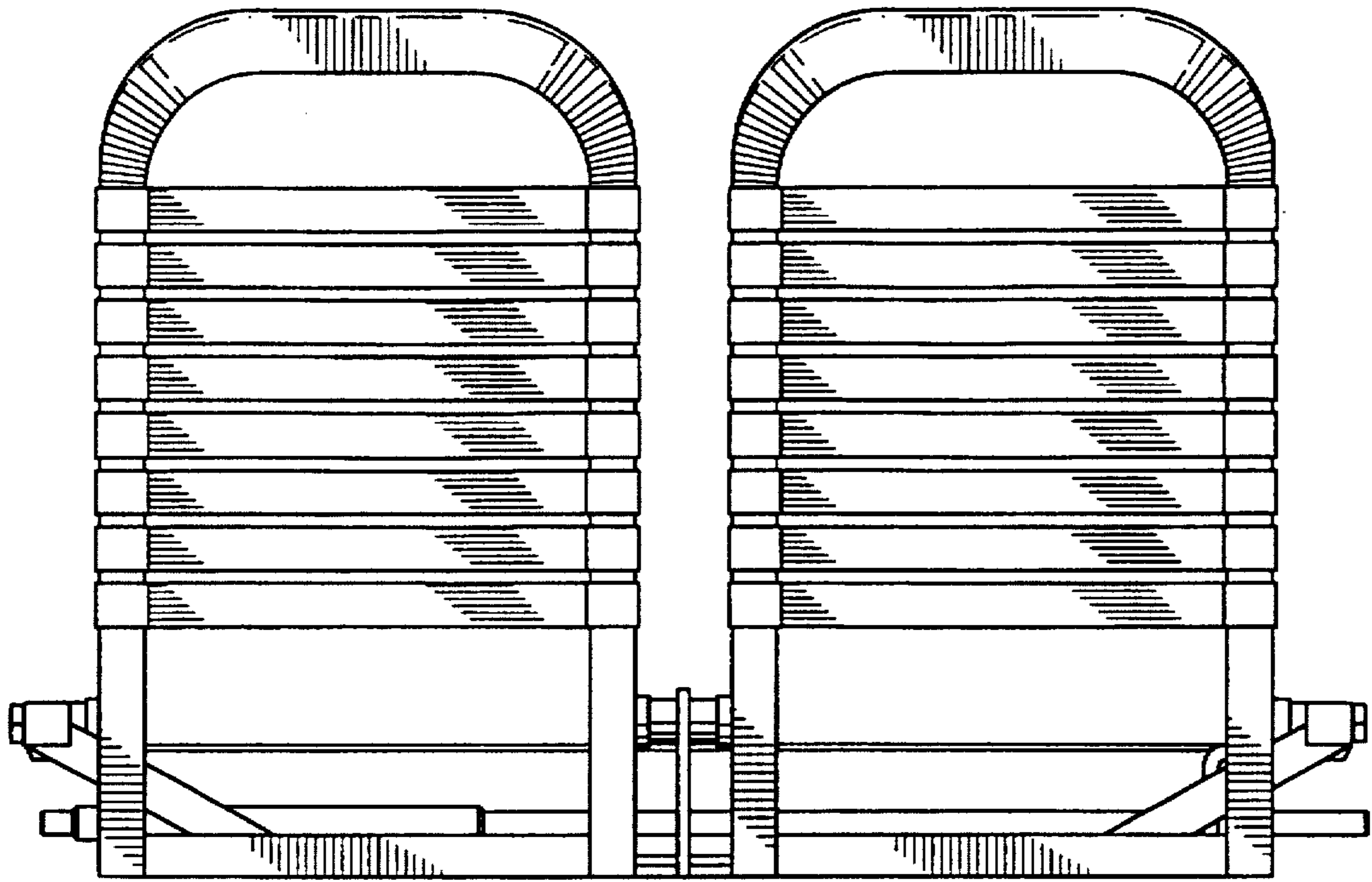


FIG. 6

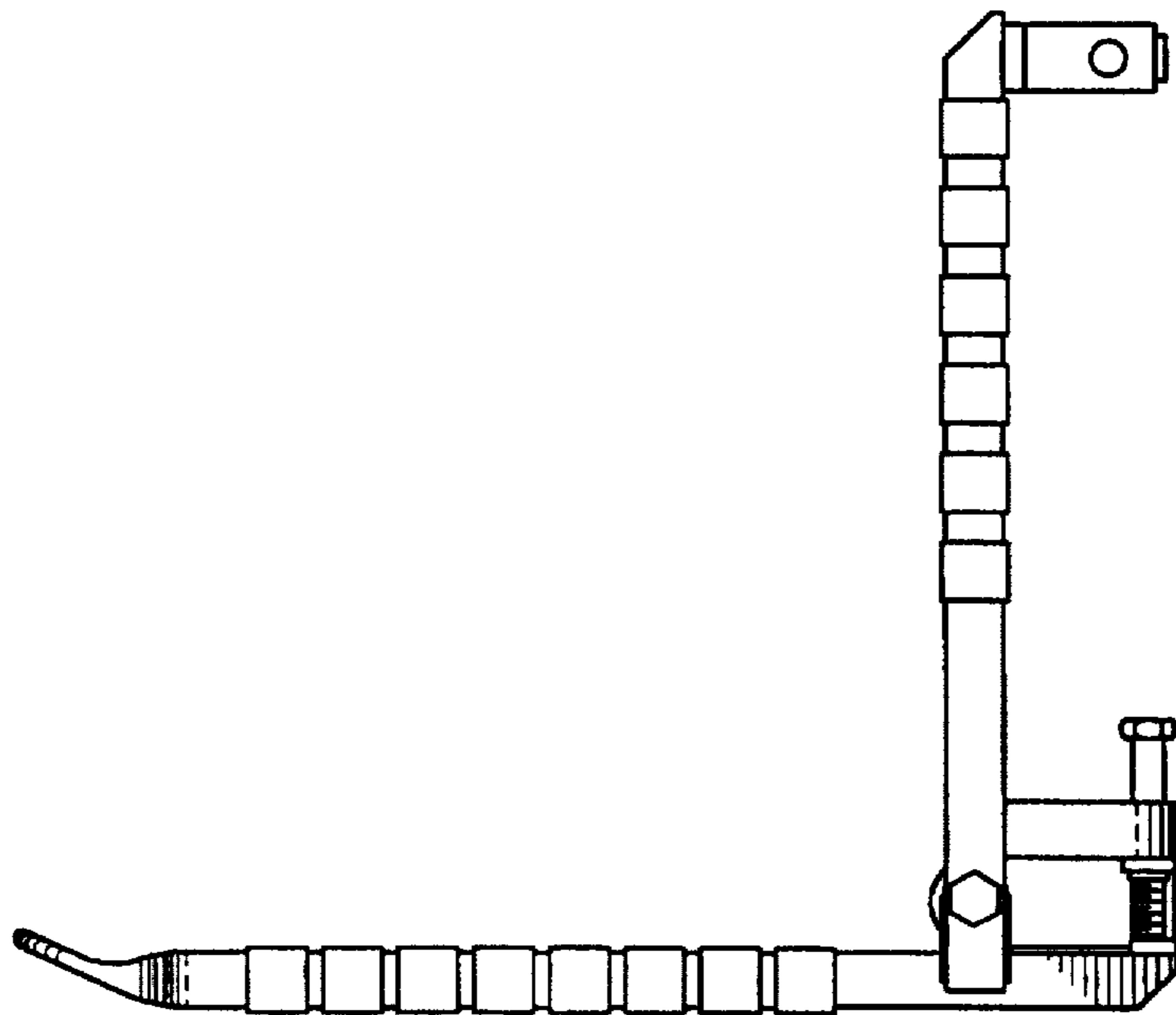


FIG. 7

UNITED STATES PATENT AND TRADEMARK OFFICE
CERTIFICATE OF CORRECTION

PATENT NO. : D408,336
DATED : April 20, 1999
INVENTOR(S) : Ian Brotherston

It is certified that error appears in the above-identified patent and that said Letters Patent is hereby corrected as shown below:

TITLE PAGE:

**Assignee name and residence data does not appear on the patent.
Should read as follows:**

**Assignee: Broda Enterprises Inc., Waterloo,
Ontario, Canada**

Signed and Sealed this
Twenty-third Day of November, 1999

Attest:



Q. TODD DICKINSON